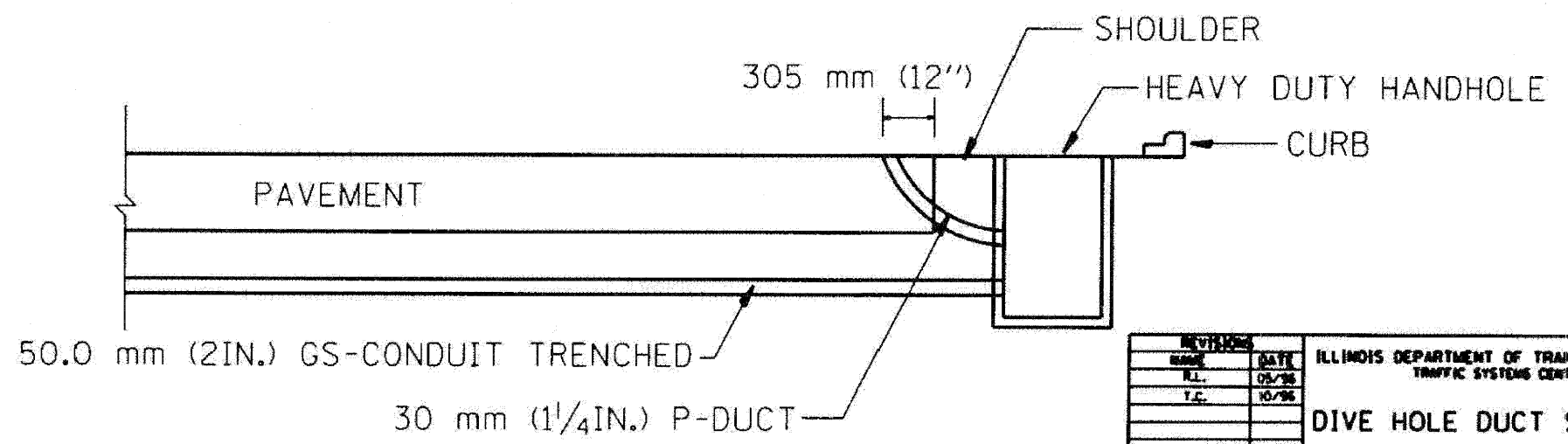
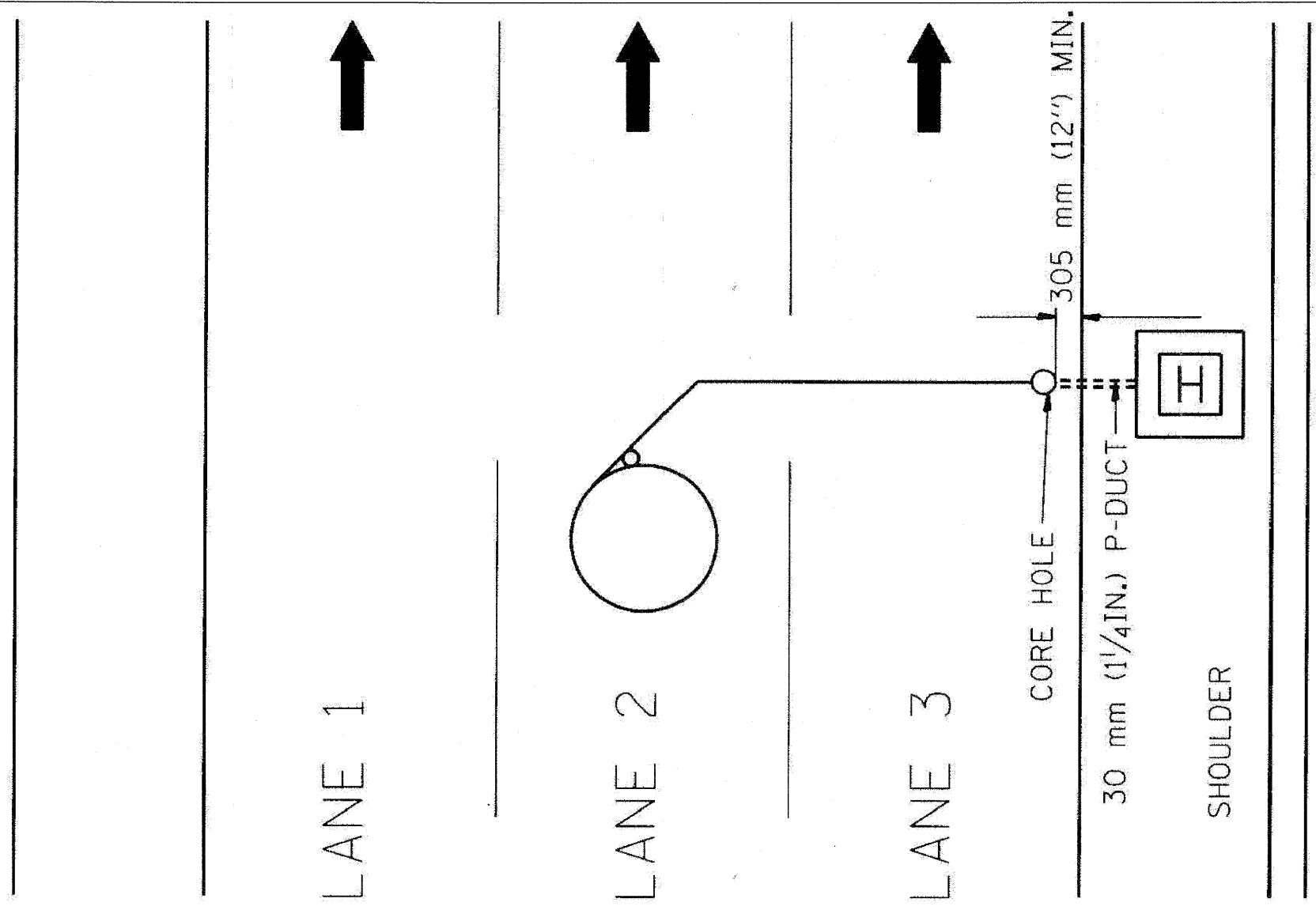


F.A.I. RTE.	SECTION	COUNTY	TOTAL SHEETS	SHEET NO.
STA. _____	TO STA. _____			
FED. ROAD DIST. NO.		ILLINOIS FED. AID PROJECT		



REVISION	DATE
R.L.	05/98
T.C.	10/98

ILLINOIS DEPARTMENT OF TRANSPORTATION  
TRAFFIC SYSTEMS CENTER

**DIVE HOLE DUCT SYSTEM**

SCALE: HORIZ. NONE  
DATE 11/7/98

DRAWN BY G.M.  
CHECKED BY R.L.

**TRAFFIC SYSTEMS CENTER (TY-1TSC-418#8)**

FILE NAME =	DESIGNED - GHT	REVISED -
...Sprain_ABC_C4_TS_DET_13.dgn	DRAWN - TMB	REVISED -
USER NAME = jmmjwsk1	CHECKED - MPM	REVISED -
PLOT DATE = 11/13/2009	DATE - 10/16/09	REVISED -

**benesch**

STATE OF ILLINOIS  
DEPARTMENT OF TRANSPORTATION

TRAFFIC SYSTEMS CENTER DETAIL SHEETS	
SCALE: N.T.S.	SHEET NO. 13 OF 14 SHEETS
STA. _____	TO STA. _____

F.A.I. RTE.	SECTION	COUNTY	TOTAL SHEETS	SHEET NO.
290	2009-099BR	COOK/DUPAGE	309	292
FED. ROAD DIST. NO.		ILLINOIS FED. AID PROJECT		
		CONTRACT NO. 60157		