

STATE OF ILLINOIS
DEPARTMENT OF TRANSPORTATION

F.A. NO.	SECTION	COUNTY	TOTAL SHEETS	SHEET NO.
VAR	2025-1080-LS	VAR	18	1
ILLINOIS			CONTRACT NO. 62Y35	

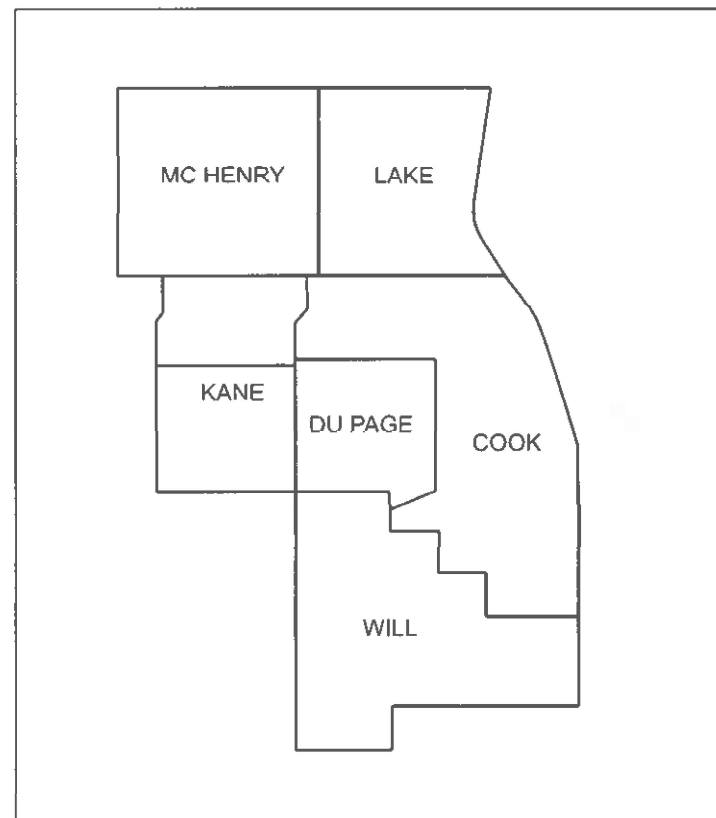
FOR INDEX OF SHEETS, SEE SHEET NO. 2

IMPROVEMENTS ARE AT VARIOUS LOCATIONS WITHIN DISTRICT ONE

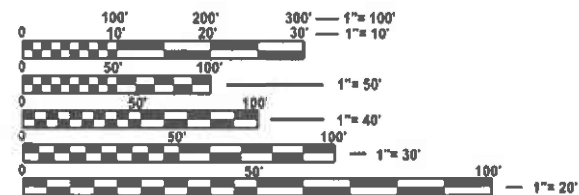
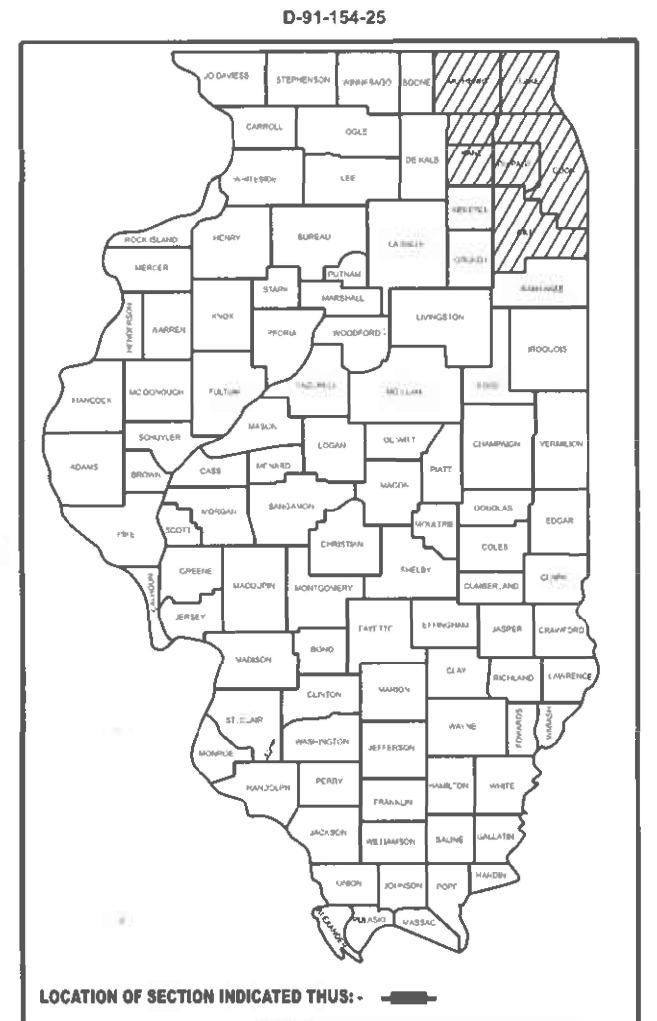
PROPOSED
HIGHWAY PLANS

ROUTE: VARIOUS
SECTION: 2025-1080-LS
PROJECT: N/A
EXPRESSWAY MOWING - NORTH & SOUTH
VARIOUS COUNTIES

C-91-231-25



GROSS LENGTH = x.xx FT. = x.xxx MILE
NET LENGTH = x.xx FT. = x.xxx MILE



FULL SIZE PLANS HAVE BEEN PREPARED USING STANDARD ENGINEERING SCALES. REDUCED SIZED PLANS WILL NOT CONFORM TO STANDARD SCALES. IN MAKING MEASUREMENTS ON REDUCED PLANS, THE ABOVE SCALES MAY BE USED.

J.U.L.I.E.
JOINT UTILITY LOCATION INFORMATION FOR EXCAVATION
1-800-892-0123
OR 811

PROJECT ENGINEER: JACEK EJMONT
PROJECT MANAGER: GIOVANNA ZAFFINA (847) 705-4171

CONTRACT NO. 62Y35

STATE OF ILLINOIS
DEPARTMENT OF TRANSPORTATION

SUBMITTED Dec 18th 20 25
Tony Jones IR
REGIONAL ENGINEER

January 23, 20 26
[Signature]
ENGINEER OF DESIGN AND ENVIRONMENT

January 23, 20 26
[Signature]
DIRECTOR OF HIGHWAYS PROJECT IMPLEMENTATION

PRINTED BY THE AUTHORITY
OF THE STATE OF ILLINOIS

INDEX OF SHEETS

1. COVER SHEET
2. INDEX OF SHEETS, STATE STANDARDS, GENERAL NOTES
3. SUMMARY OF QUANTITIES, SCHEDULE OF QUANTITIES
4. SAMPLE WORK ORDER
5. SAFETY MOWING DETAILS
- 5A. MOW OUT MOWING DETAILS
6. TRIMMING DETAIL
7. I-290 / IL-53 / I-355 LOCATION MAP
8. I-290 (EISENHOWER) LOCATION MAP
9. I-55 (STEVENSON) LOCATION MAP
10. I-55 A LOCATION MAP
11. I-55 B LOCATION MAP
12. I-94 (DAN RYAN) LOCATION MAP
13. I-94 (BISHOP FORD) LOCATION MAP
14. I-57 A LOCATION MAP
15. I-57 B LOCATION MAP
16. I-90 / I-94 (KENNEDY) LOCATION MAP
17. I-94 (EDENS) LOCATION MAP
18. TC-17

STATE STANDARDS

701426-09

701901-11

GENERAL NOTES

1. SAFETY MOW CONSISTS OF A 12-FOOT MOW STRIP MEASURED FROM THE EDGE OF PAVEMENT IN TURF GRASS AREAS WITHIN THE EXPRESSWAY R.O.W. AND ALL OTHER AREAS AS DESIGNATED ON THE MOWING DETAILS AND PLAN SHEETS.
2. MOW OUT CONSISTS OF MOWING ALL TURF GRASS AREAS WITHIN THE EXPRESSWAY R.O.W. AND ALL OTHER AREAS AS DESIGNATED ON THE MOWING DETAILS AND PLAN SHEETS.
3. THERE WILL BE NO MOWING IN THE CENTER MEDIAN.
4. SCHEDULE MAY VARY AS DIRECTED BY THE ENGINEER.
5. THE CONTRACTOR SHALL NOT START MOWING BEFORE THE DATES SCHEDULED WITHOUT WRITTEN AUTHORIZATION FROM THE ENGINEER.
6. NO WORK WILL BE ALLOWED DURING ANY LEGAL HOLIDAYS IN ACCORDANCE WITH ARTICLE 107.09 OF THE STANDARD SPECIFICATIONS.
7. SCHEDULES OF ANTICIPATED START DATES SHOWN ARE TENTATIVE AS DETERMINED BY THE DEPARTMENT'S OPERATIONAL NEEDS.
8. THE CONTRACTOR SHALL REQUEST AND GAIN APPROVAL FROM THE ILLINOIS DEPARTMENT OF TRANSPORTATION'S EXPRESSWAY TRAFFIC OPERATIONS ENGINEER VIA WWW.IDOTLCS.COM TWENTY-FOUR (24) HOURS IN ADVANCE OF DAILY LANE, RAMP, AND SHOULDER CLOSURES AND SEVEN (7) DAYS IN ADVANCE OF ALL PERMANENT AND WEEKEND CLOSURES ON ALL FREEWAYS AND/OR EXPRESSWAYS IN DISTRICT ONE. THIS ADVANCE NOTIFICATION IS CALCULATED BASED ON A WORKWEEK OF MONDAY THROUGH FRIDAY AND SHALL NOT INCLUDE WEEKENDS OR HOLIDAYS.
9. ALL TRAFFIC SIGNS SHALL HAVE RETROREFLECTIVE SHEETING.
10. MOWING SHALL OCCUR IN THE DIRECTION OF TRAFFIC.
11. THE CONTRACTOR SHALL CROSS RAMPS IN A MOWER, CROSSING IS ALLOWED AT THE BOTTOM OF THE RAMP WITH A FLAGGER AND SLOW/STOP PADDLES, CONFORMING TO STANDARD 701901 OF THE 2023 ILLINOIS HIGHWAY STANDARDS FOR TRAFFIC CONTROL MANUAL, TO DIRECT TRAFFIC.
12. ALL VEHICLES INCLUDING PASSENGER CARS, WHETHER OWNED BY THE CONTRACTOR OR ANYONE REPRESENTING THEM, SHALL BE EQUIPPED WITH A YELLOW FLASHING LIGHT MOUNTED EITHER ON TOP OR IN THE REAR WINDOW OF THE VEHICLE AND VISIBLE FOR AT LEAST 500 FEET TO THE REAR OF THE VEHICLE. IN ADDITION, A SIGN MUST BE DISPLAYED ON EACH SIDE OF THE VEHICLE AND WITH LETTERS AT LEAST 3 INCHES IN HEIGHT AND WITH A SUITABLE FONT, SHOWING THE COMPANY NAME, MAGNETIC SIGNS ARE ACCEPTABLE.
13. THE CONTRACTOR SHALL TAKE EXTRA CARE IN MOWING/TRIMMING NEAR EXISTING TREES, SHRUBS, PERENNIAL BEDS, AND VINES SO AS NOT TO CAUSE INJURY TO THE ROOT SYSTEM OR TRUNKS. ANY DAMAGE DONE TO EXISTING ITEMS BY THE CONTRACTOR SHALL BE REPAIRED BY THE CONTRACTOR AT THEIR OWN EXPENSE TO THE SATISFACTION OF THE ENGINEER.
14. IT SHALL BE THE CONTRACTOR'S RESPONSIBILITY TO VERIFY ALL CONDITIONS EXISTING IN THE FIELD PRIOR TO STARTING WORK ORDERS.

**STATE OF ILLINOIS
DEPARTMENT OF TRANSPORTATION**

INDEX OF SHEETS, GENERAL NOTES, STATE STANDARDS

SCALE: **NONE** SHEET 1 OF 1 SHEETS STA. TO STA.

F A RTE.	SECTION	COUNTY	TOTAL SHEETS	SHEET NG.
VAR	2025-1080-LS	VARIOUS	18	2
CONTRACT NO. 62Y35				
ILLINOIS				

SUMMARY OF QUANTITIES

PAY ITEM	DESCRIPTION	UNIT	100% STATE 0031	TOTAL
25000750	MOWING	ACRE	988.7	993
67100100	MOBILIZATION	LSUM	1	1
X7011015	TRAFFIC CONTROL AND PROTECTION EXPRESSWAYS	LSUM	1	1
Z0076604	TRAINEES - TRAINING PROGRAM GRADUATE	HOUR	1000	1000

SCHEDULE OF QUANTITIES

LOCATION	EXPRESSWAY	LOCATION LIMITS		SAFETY MOW LIMITS		MOW OUT LIMITS		ESTIMATED DATES	TOTAL ACRE
		START	END	START	END	START	END		
1	I-290 / IL-53 / I-355	IL-83	Lake Cook Rd	IL-83	Lake Cook Rd	-	-	4/15-5/15	115
2	I-290 (Eisenhower)	S Halsted St	IL-83	17th Ave	IL-83	S Halsted St	17th Ave	5/16-6/15	148
3	I-55 (Stevenson)	Lake Shore Drive	County Line Rd	Harlem Ave	County Line Rd	Lake Shore Drive	Harlem Ave	6/16-6/30	73
4	I-55 A	County Line Rd	US-30	County Line Rd	US-30	-	-	7/1-7/15	77
5	I-55 B	US-30	E Reed Rd	US-30	E Reed Rd	-	-	7/16-7/31	100
6	I-94 (Dan Ryan)	31st St	Cottage Grove Ave	-	-	31st St	Cottage Grove Ave	8/1-8/15	66
7	I-94 (Bishop Ford)	Cottage Grove Ave	159th St	Cottage Grove Ave	159th St	-	-	8/16-8/31	34
8	I-57 A	I-94	159th St	147th St	159th St	I-94	147th St	9/1-9/15	40
9	I-57 B	159th St	Kankakee County Line	159th St	Kankakee County Line	-	-	9/16-9/30	60
10	I-90 / I-94 (Kennedy)	W Van Buren St	N Cumberland Ave	N Harlem Ave	N Cumberland Ave	W Van Buren St	N Harlem Ave	10/1-10/31	136
11	I-94 (Edens)	W Wilson Ave	Clavey Rd	W Wilson Ave	Clavey Rd	-	-	11/1-11/15	144

MODEL: SMOGELNAMES
FILE NAME: SMOGELNAMES

Ø 0042

USER NAME - \$USER\$	DESIGNED -	REVISED -	STATE OF ILLINOIS DEPARTMENT OF TRANSPORTATION	SUMMARY OF QUANTITIES, SCHEDULE OF QUANTITIES				F.A. RTE.	SECTION	COUNTY	TOTAL SHEETS	SHEET NO.
DRAWN -	REVISED -	VAR						2025-1080-LS	VARIOUS	18	3	
PLOT SCALE - \$SCALE\$	CHECKED -	REVISED -		SCALE: NONE SHEET 1 OF 1 SHEETS STA. TO STA.				CONTRACT NO. 62Y35				
PLOT DATE - \$DATE\$	DATE - \$DATE\$	REVISED -		ILLINOIS								



Illinois Department of Transportation

Contract Number: 62Y35
Mowing Work Order Number: _____
Route: _____

30-Day Completion Work Order

Cook	DuPage	Kane	Prepared By	Team Section
Lake	McHenry	Will		

Location:

Refer to attached mow maps, which are hereby made a part of this work order (____ sheets)

WORK INCLUDED IN THIS WORK ORDER		
Item	Mow Method	Quantity
MOWING		ACRES

AGREEMENT TO ACCURACY OF WORK ORDER QUANTITIES

The Contractor and Engineer hereby agree that when the work is completed essentially to the lines and dimensions shown on the work order, no further measurement will be required for any of the above items. Payment will be made for the work order quantities shown.

Engineer Signature and Date

Contractor Signature and Date

AUTHORIZATION OF WORK ORDER

Technician Signature

Start Date

Completion Date

CERTIFICATION OF COMPLETION

Contractor Signature

Date

ACCEPTANCE OF COMPLETED WORK

I certify that the work order has been completed in conformance with contract requirements.

Resident Engineer/Technician Signature

Date

MODEL: S:\PROGRAMS\FILE NAME: 01/15/05

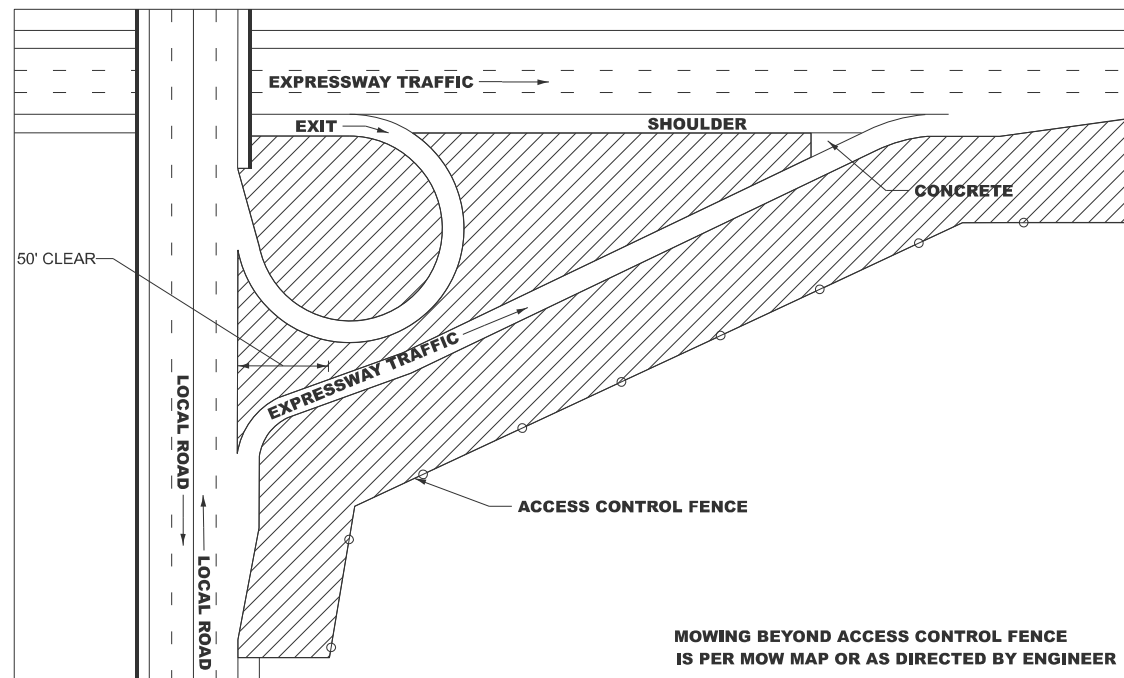
USER NAME = \$USER\$	DESIGNED =	REVISED =
	DRAWN =	REVISED =
PLOT SCALE = \$SCALE\$	CHECKED =	REVISED =
PLOT DATE = \$DATE\$	DATE = \$DATE\$	REVISED =

STATE OF ILLINOIS
DEPARTMENT OF TRANSPORTATION

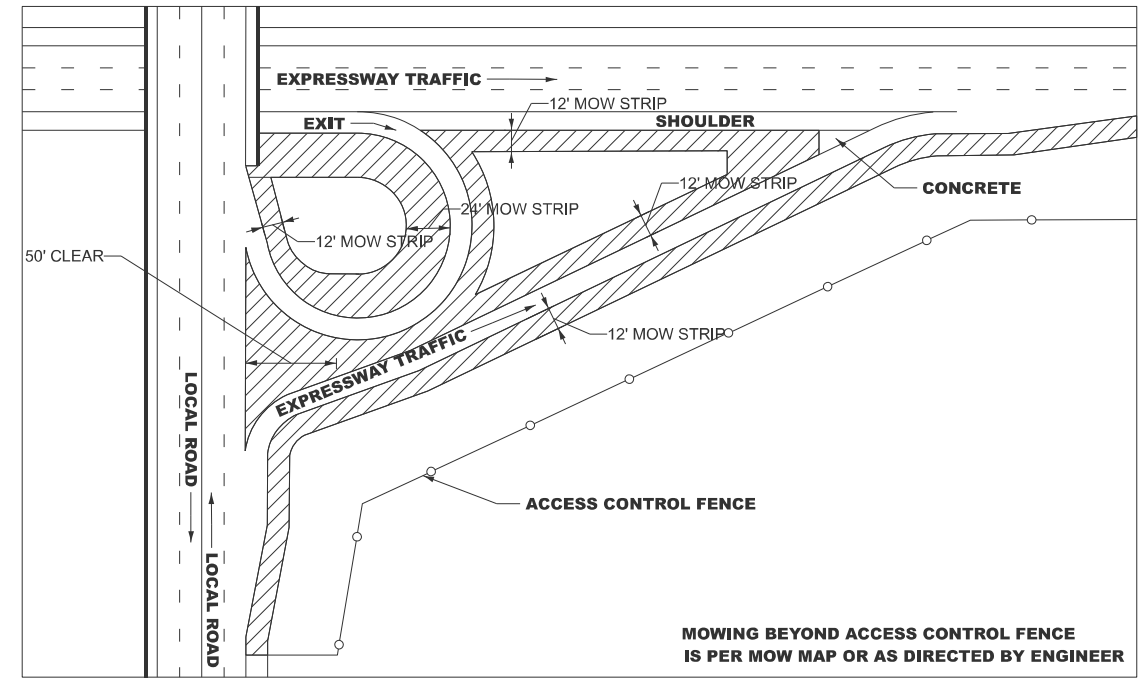
SAMPLE WORK ORDER

SCALE: NONE SHEET 1 OF 1 SHEETS STA. TO STA.

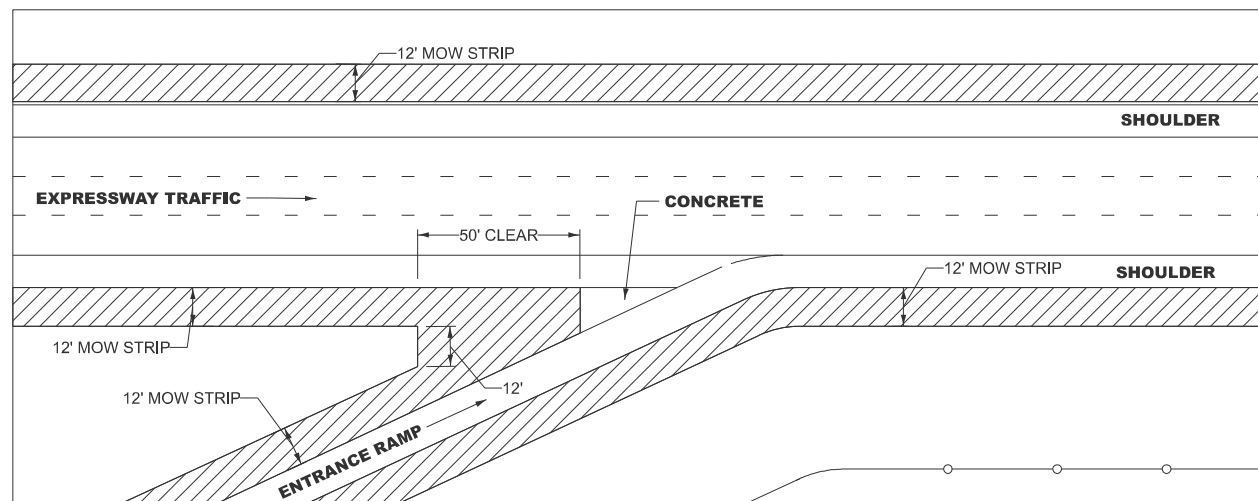
F A R T E .	SECTION	COUNTY	TOTAL SHEETS	SHEET NO.
VAR	2025-1080-LS	VARIOUS	18	4
CONTRACT NO. 62Y35				
ILLINOIS				



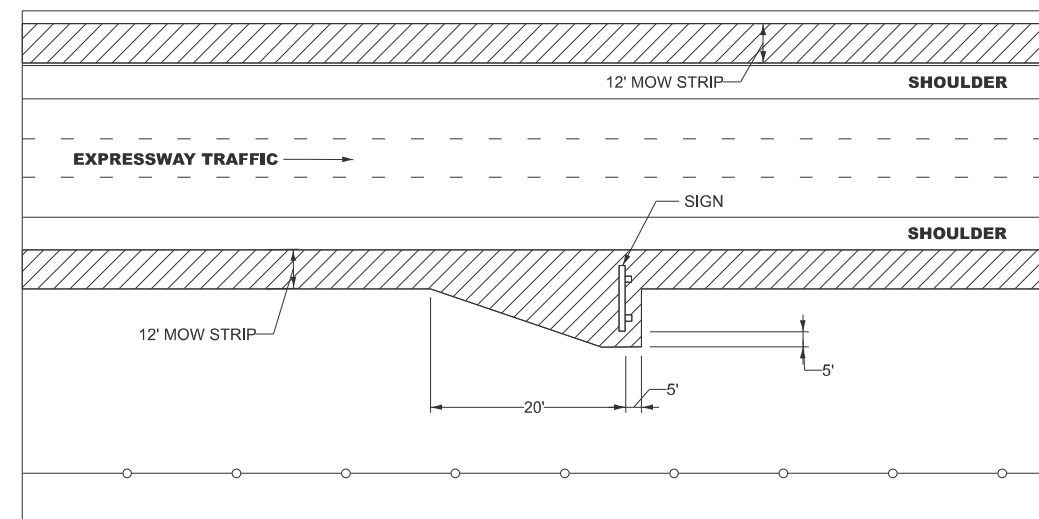
Mow-Out Mowing Detail #1
Not to Scale Circular Ramp and Local Road



Safety Mowing Detail #2
Not to Scale Circular Ramp and Local Road



Safety Mowing Detail #3
Not to Scale Straight Merge Ramp



Safety Mowing Detail #4
Not to Scale Roadway Signs

MODEL: Mowing Details (Sheet)
 FILE NAME: c:\p\work\pav\yuyang.deng@illinois.gov\1185944D115425-shh-details.dgn

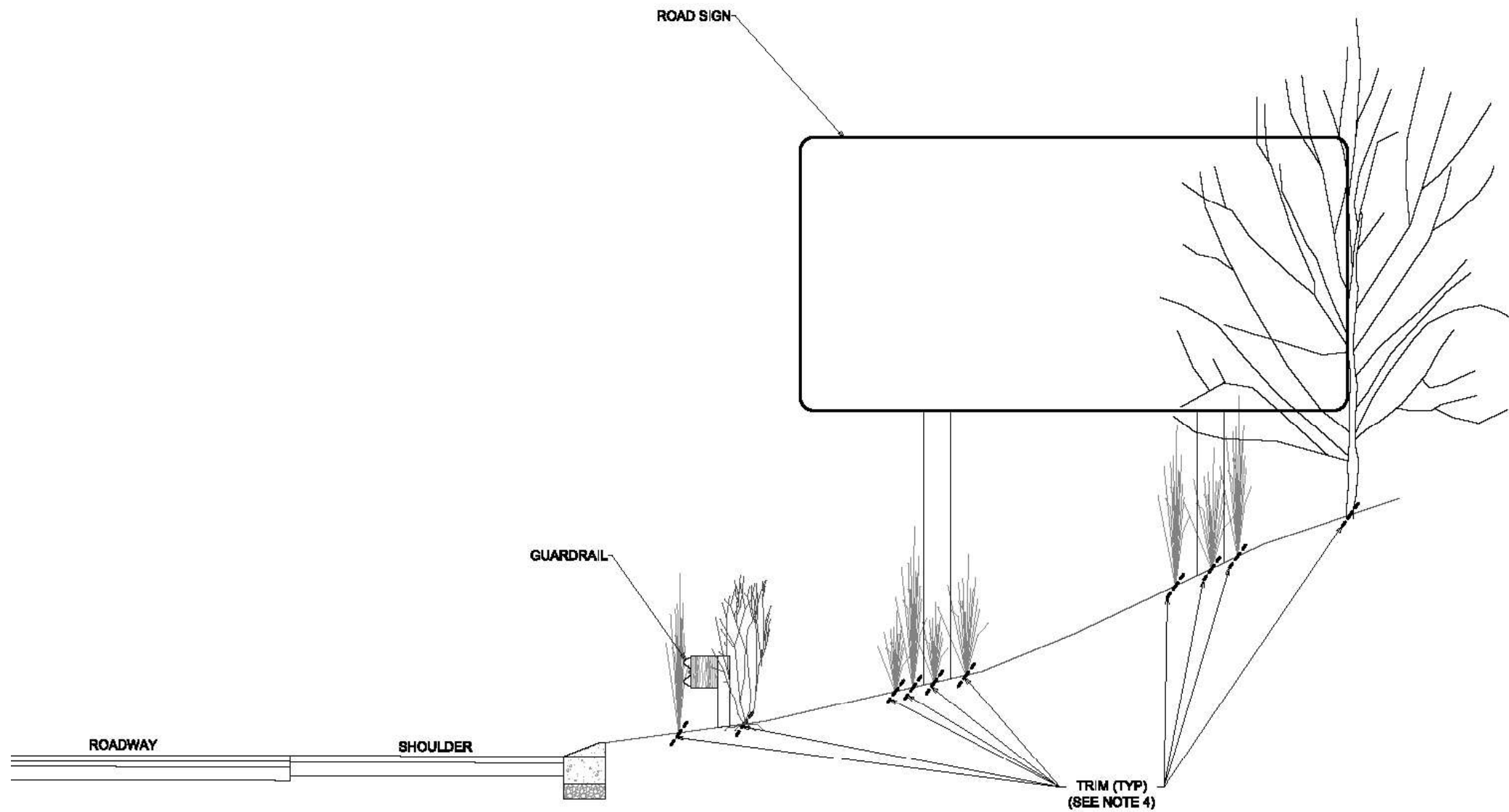
USER NAME = Yuyang.Deng	DESIGNED -	REVISED -
	DRAWN -	REVISED -
PLOT SCALE = \$SCALE\$	CHECKED -	REVISED -
PLOT DATE = 12/18/2025	DATE -	REVISED -

STATE OF ILLINOIS
DEPARTMENT OF TRANSPORTATION

MOWING DETAILS

SCALE: SHEET OF 1 SHEETS STA. TO STA.

F.A.P. RTE.	SECTION	COUNTY	TOTAL SHEETS	SHEET NO.
VAR	2025-1080-LS	VARIOUS	18	5
ILLINOIS FED. AID PROJECT			CONTRACT NO. 62Y35	



NOTES:

1. TRIMMING AROUND SIGN POSTS, POLES AND OTHER SUCH VERTICAL APPURTENANCES SHALL BE REQUIRED.
2. TRIMMING AROUND GUARDRAILS SHALL BE REQUIRED WHEN VEGETATION IS TALLER THAN THE GUARDRAIL AND/OR OBSTRUCTS MOTORISTS VIEW OF GUARDRAIL.
3. ALL TRIMMING SHALL BE COMPLETED TO THE SPECIFIED MOWING HEIGHT.
4. IF STEM OF WEED/SHRUB/GRASS BLOCKING ROADSIGN IS GREATER THAN ONE (1) INCH DIAMETER, THEN TRIM BACK THOSE PORTIONS OF THE VEGETATION THAT ARE BLOCKING MOTORIST'S VIEW OF THE SIGN.

MODEL: S:\PROGRAMS\FILE NAME: 62Y35

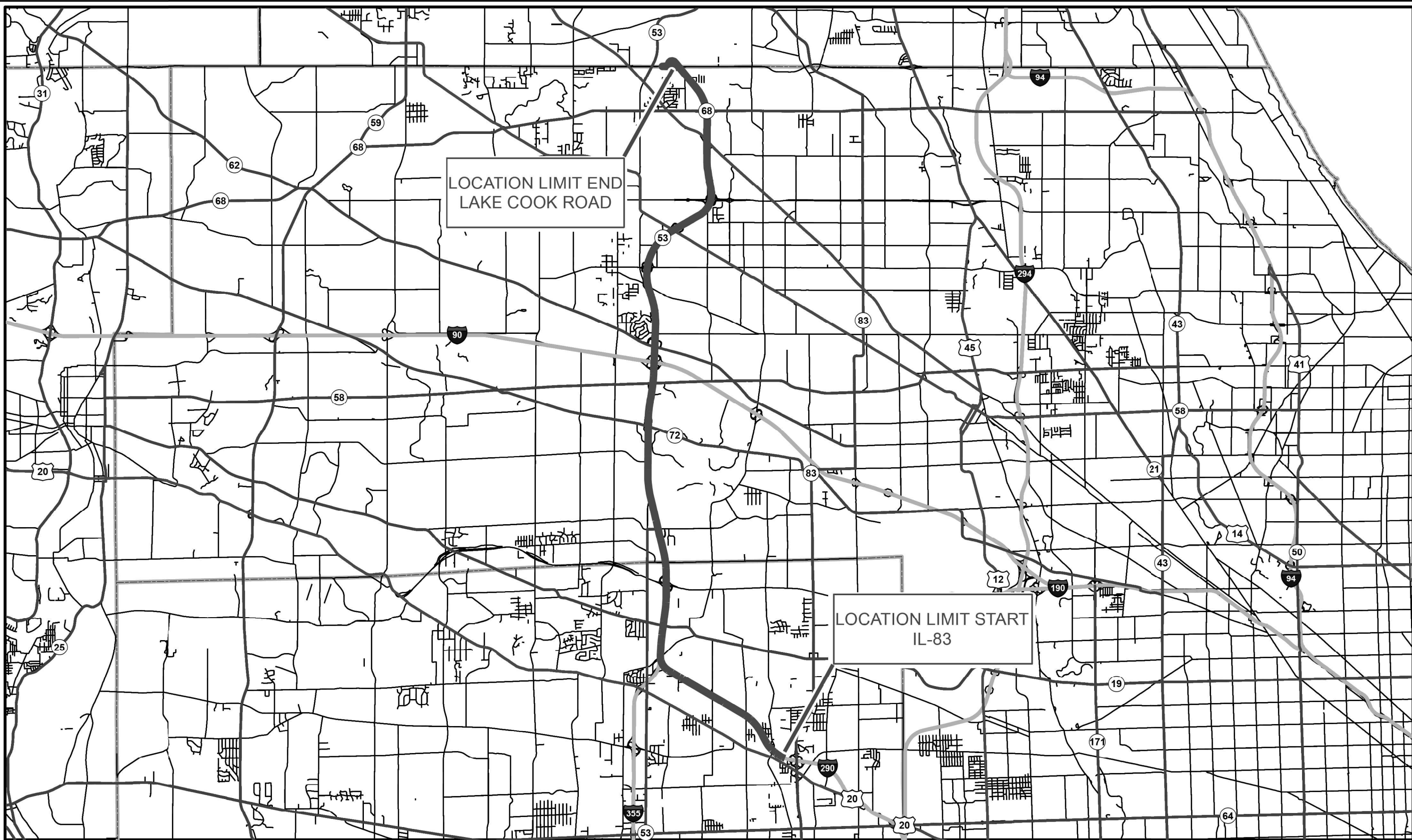
USER NAME = \$USER\$	DESIGNED =	REVISED =
	DRAWN =	REVISED =
PLOT SCALE = \$SCALE\$	CHECKED =	REVISED =
PLOT DATE = \$DATE\$	DATE = \$DATE\$	REVISED =

**STATE OF ILLINOIS
DEPARTMENT OF TRANSPORTATION**

TRIMMING DETAIL

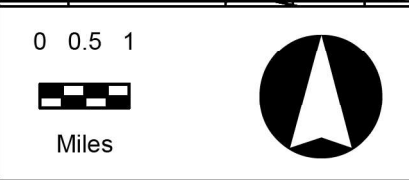
SCALE: **NONE** SHEET 1 OF 1 SHEETS STA. TO STA.

F A R T E.	SECTION	COUNTY	TOTAL SHEETS	SHEET NO.
VAR	2025-1080-LS	VARIOUS	18	6
CONTRACT NO. 62Y35			ILLINOIS	



**STATE OF ILLINOIS
DEPARTMENT OF TRANSPORTATION**

LANDSCAPE MAINTENANCE



**CONTRACT # 62Y35
MOWING VARIOUS
I-290/IL-53/I-355 - IL-83 TO LAKE COOK ROAD**

Map Prepared by: 2IM Group, LLC
Team Section:
Route: I-290/I-355/IL-83
Panel Number:

Team Section:
Work Order #:
Sheet #: Index

MODEL: SHC02LNAMES
FILE NAME: STREETS

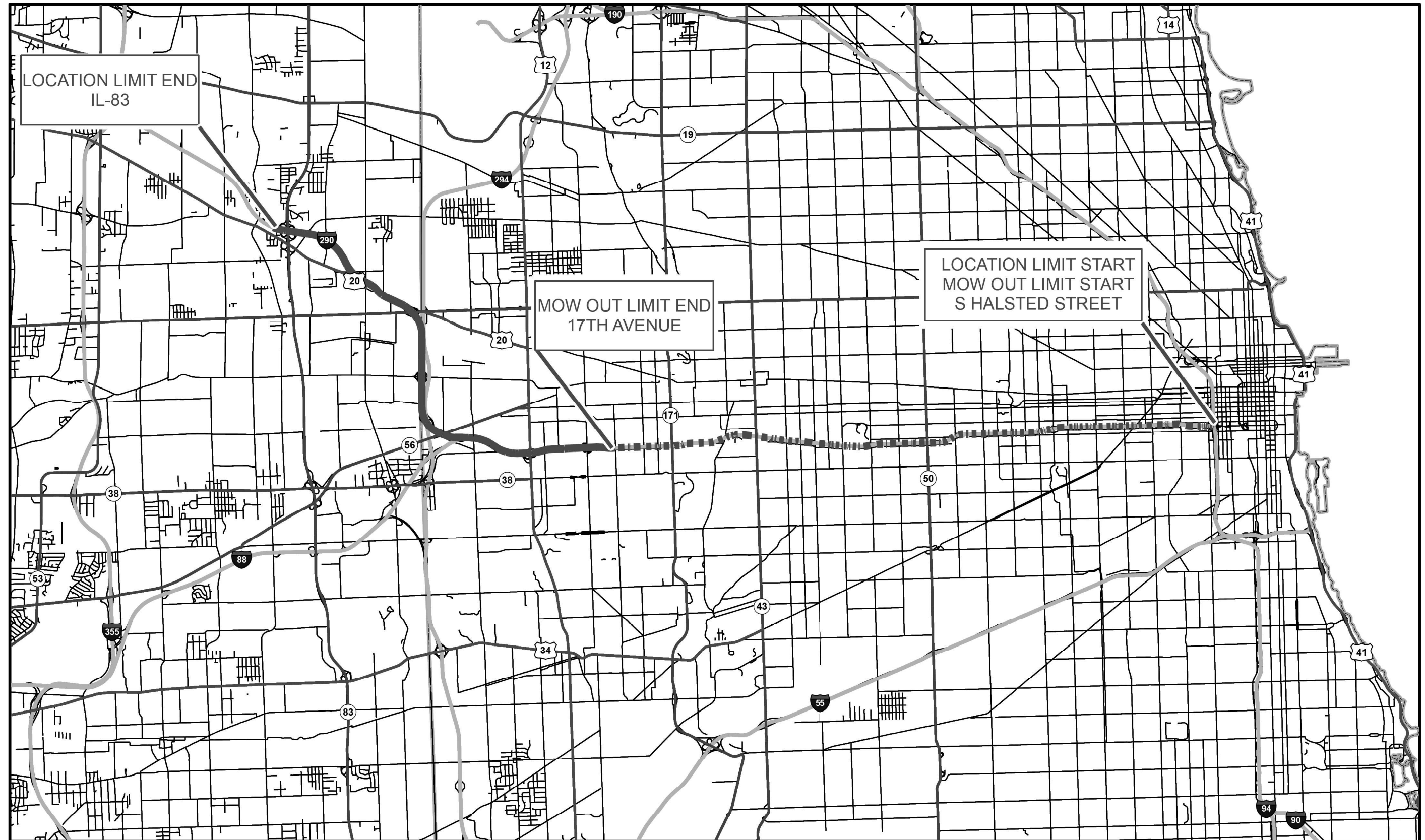
USER NAME = SUSERS	DESIGNED -	REVISED -
PLOT SCALE = SCALES	DRAWN -	REVISED -
PLOT DATE = SDATES	CHECKED -	REVISED -
	DATE - SDATES	REVISED -

**STATE OF ILLINOIS
DEPARTMENT OF TRANSPORTATION**

I-290 /IL-53 /I-355 - IL-83 TO LAKE COOK ROAD

SCALE: **NONE** SHEET 1 OF 1 SHEETS STA. TO STA.

F.A. RTE.	SECTION	COUNTY	TOTAL SHEETS	SHEET NO.
VAR	2025-1080-LS	VARIOUS	18	7
CONTRACT NO. 62Y35				
ILLINOIS				



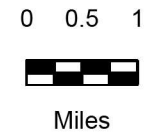
LOCATION LIMIT END
IL-83

MOW OUT LIMIT END
17TH AVENUE

LOCATION LIMIT START
MOW OUT LIMIT START
S HALSTED STREET

STATE OF ILLINOIS
DEPARTMENT OF TRANSPORTATION

LANDSCAPE MAINTENANCE



CONTRACT # 62Y35
MOWING VARIOUS
I-290 (EISENHOWER) - S HALSTED STREET TO IL-83

Map Prepared by: 2IM Group, LLC
Team Section:
Route: I-290
Panel Number:

Team Section:
Work Order #:
Sheet #: Index

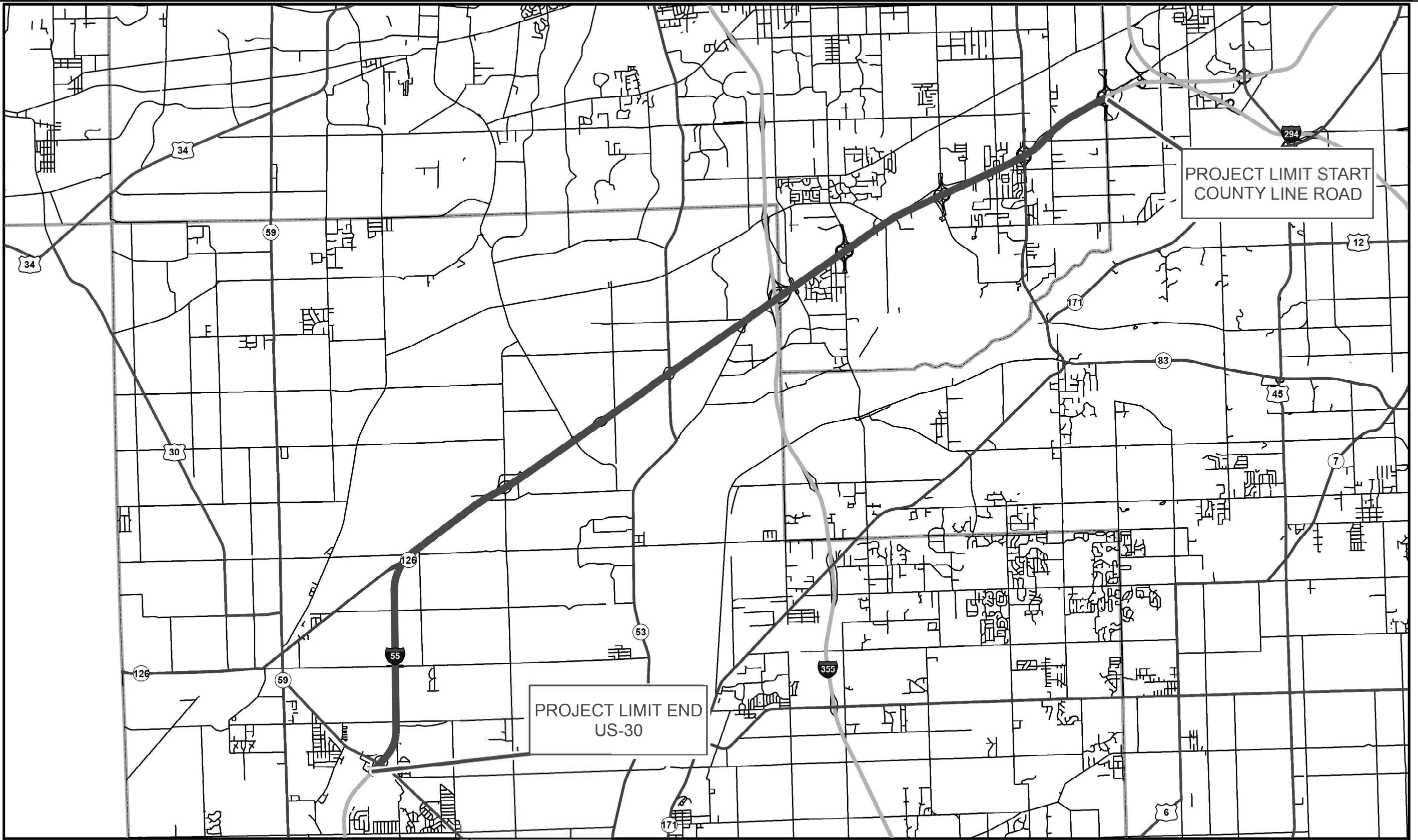
MODEL: SMOGELNAMES
FILE NAME: STLELS

USER NAME = \$USERS	DESIGNED -	REVISED -
PLOT SCALE = \$SCALES	DRAWN -	REVISED -
PLOT DATE = \$DATES	CHECKED -	REVISED -
	DATE - \$DATES	REVISED -

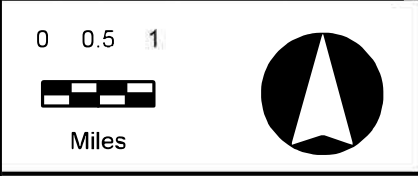
STATE OF ILLINOIS
DEPARTMENT OF TRANSPORTATION

I-290, EISENHOWER - S HALSTED STREET TO IL-83
SCALE: NONE SHEET OF 18 SHEETS STA. TO STA.

F.A. RTE.	SECTION	COUNTY	TOTAL SHEETS	SHEET NO.
VAR	2025-1080-LS	VARIOUS	18	8
CONTRACT NO. 62Y35				



STATE OF ILLINOIS
DEPARTMENT OF TRANSPORTATION
 LANDSCAPE MAINTENANCE



CONTRACT # 62Y35
MOWING VARIOUS
I-55 A - COUNTY LINE ROAD TO US-30

Map Prepared by: 2IM Group, LLC
 Team Section:
 Route: I-55
 Panel Number:

Team Section:
 Work Order #:
 Sheet #: Index

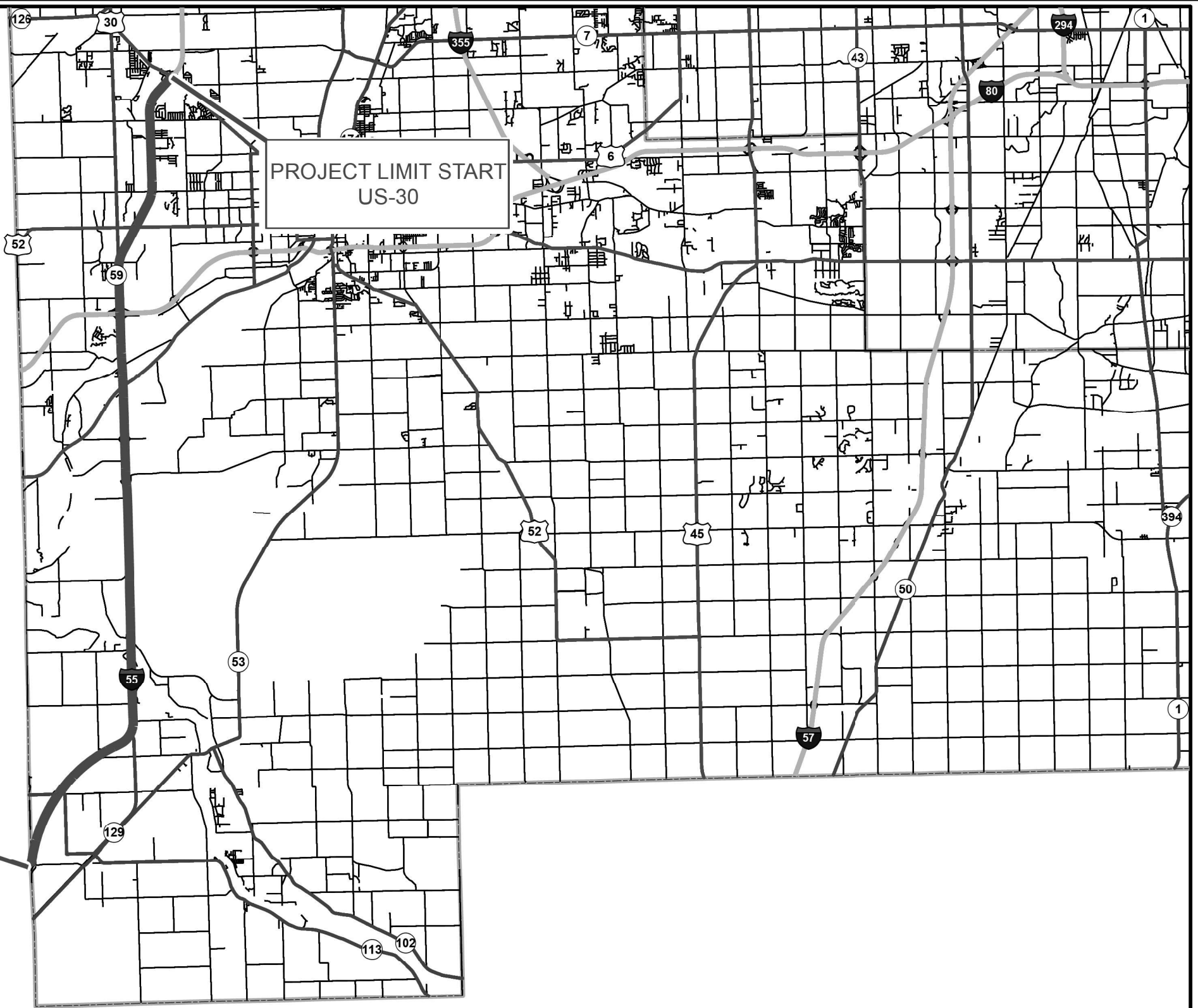
MODEL: 34000L/NA/05
 FILE NAME: STLE05

USER NAME = \$USERS	DESIGNED =	REVISED =
	DRAWN =	REVISED =
PLOT SCALE = \$SCALE\$	CHECKED =	REVISED =
PLOT DATE = \$DATES	DATE = \$DATES	REVISED =

STATE OF ILLINOIS
DEPARTMENT OF TRANSPORTATION

I-55 A - COUNTY LINE ROAD TO US-30
 SCALE: NONE SHEET 1 OF 1 SHEETS STA. TO STA.

F.A. RTE.	SECTION	COUNTY	TOTAL SHEETS	SHEET NO.
VAR	2025-1080-LS	VARIOUS	18	10
CONTRACT NO. 62Y35				
ILLINOIS				



PROJECT LIMIT START
US-30

PROJECT LIMIT END
EAST REED ROAD

STATE OF ILLINOIS
DEPARTMENT OF TRANSPORTATION

LANDSCAPE MAINTENANCE

0 1 2

 Miles

CONTRACT # 62Y35
MOWING VARIOUS
I-55 B - US-30 TO EAST REED ROAD

Map Prepared by: 2IM Group, LLC
 Team Section:
 Route: I-55
 Panel Number:

Team Section:
 Work Order #:
 Sheet #: Index

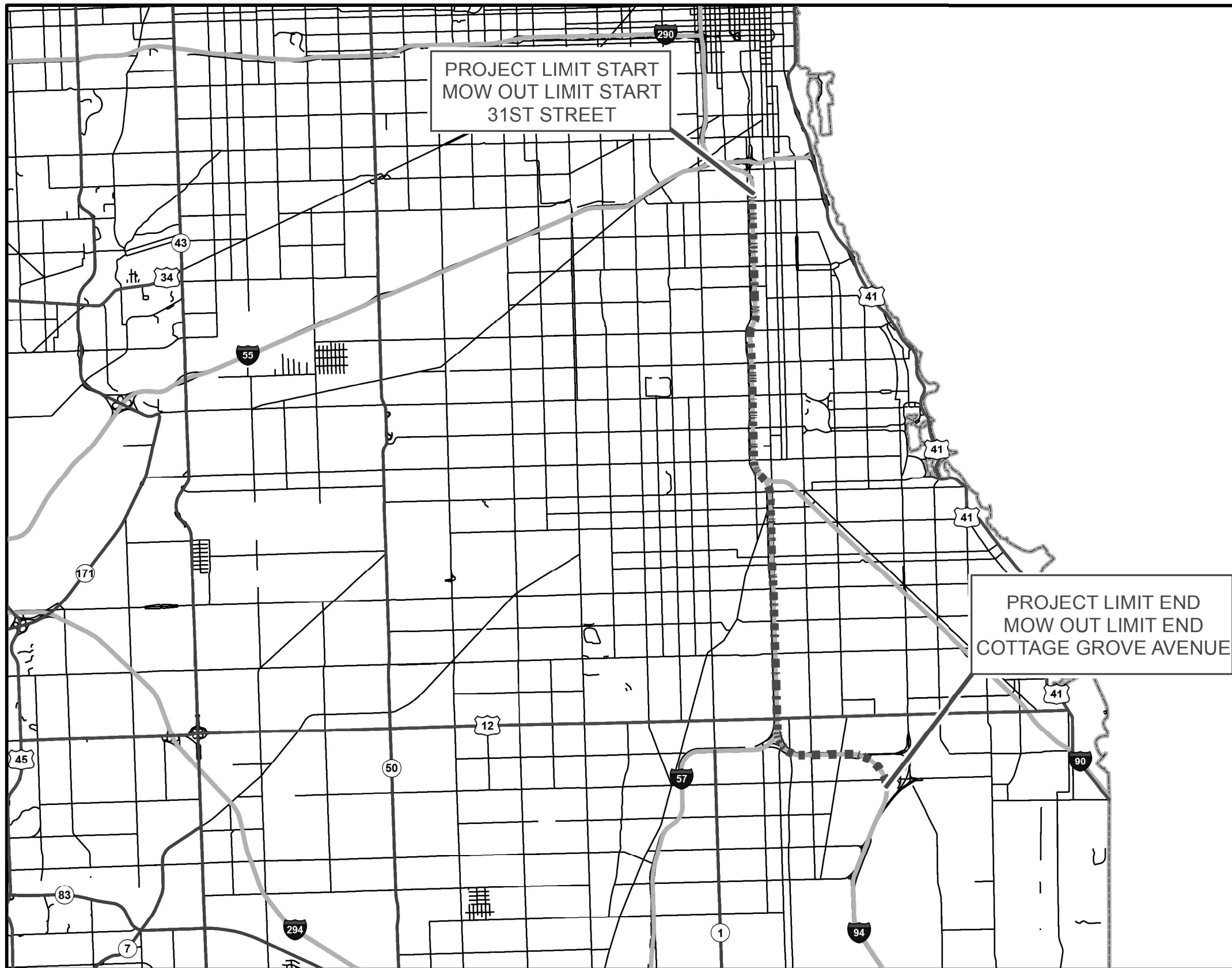
MODEL BRIDGE NAMES
FILE NAME SHEETS

USER NAME = \$USERS	DESIGNED -	REVISED -
	DRAWN -	REVISED -
PLOT SCALE = \$\$CALES	CHECKED -	REVISED -
PLOT DATE = \$\$DATES	DATE - \$DATES	REVISED -

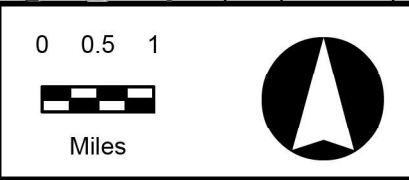
STATE OF ILLINOIS
DEPARTMENT OF TRANSPORTATION

I-55 B - US-30 TO EAST REED ROAD
 SCALE: **NONE** SHEET 1 OF 1 SHEETS STA. TO STA.

F.A. RTE.	SECTION	COUNTY	TOTAL SHEETS	SHEET NO.
VAR	2025-1080-LS	VARIOUS	18	11
CONTRACT NO. 62Y35				
ILLINOIS				



STATE OF ILLINOIS
DEPARTMENT OF TRANSPORTATION
 LANDSCAPE MAINTENANCE



CONTRACT # 62Y35
MOWING VARIOUS
I-94 (DAN RYAN) - 31ST STREET TO COTTAGE GROVE AVENUE

Map Prepared by: 2IM Group, LLC
 Team Section:
 Route: I-94
 Panel Number:

Team Section:
 Work Order #:
 Sheet #: Index

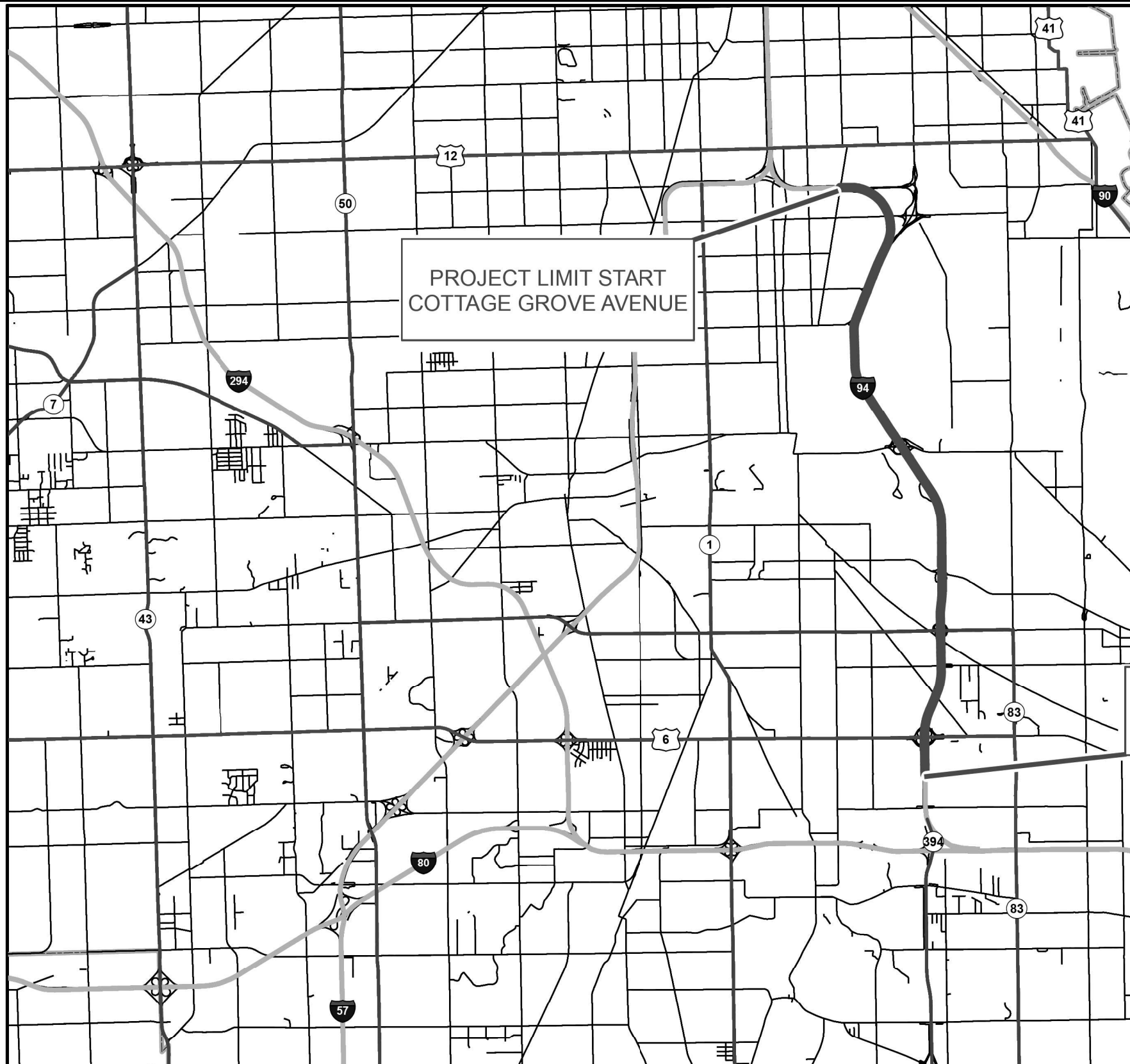
MODEL: SMODEL.VMAMES
FILE NAME: SFEELS

USER NAME = SUSERS	DESIGNED -	REVISED -
DRAWN -	REVISIED -	
PLOT SCALE = SSCALES	CHECKED -	REVISED -
PLOT DATE = SDATES	DATE - SDATES	REVISED -

STATE OF ILLINOIS
DEPARTMENT OF TRANSPORTATION

I-94 (DAN RYAN) - 31ST STREET TO COTTAGE GROVE AVENUE
 SCALE: NONE SHEET 1 OF 1 SHEETS STA. TO STA.

F.A. RTE.	SECTION	COUNTY	TOTAL SHEETS	SHEET NO.
VAR	2025-1080-LS	VARIOUS	18	12
CONTRACT NO. 62Y35				
ILLINOIS				

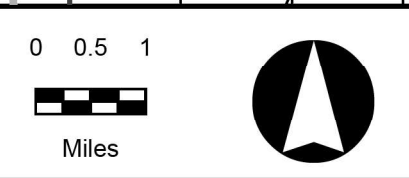


PROJECT LIMIT START
COTTAGE GROVE AVENUE

PROJECT LIMIT END
159TH STREET

STATE OF ILLINOIS
DEPARTMENT OF TRANSPORTATION

LANDSCAPE MAINTENANCE



CONTRACT # 62Y35
MOWING VARIOUS
I-94 (BISHOP FORD) - COTTAGE GROVE AVENUE TO 159TH STREET

Map Prepared by: 2IM Group, LLC
Team Section:
Route: I-94
Panel Number:

Team Section:
Work Order #:
Sheet #: Index

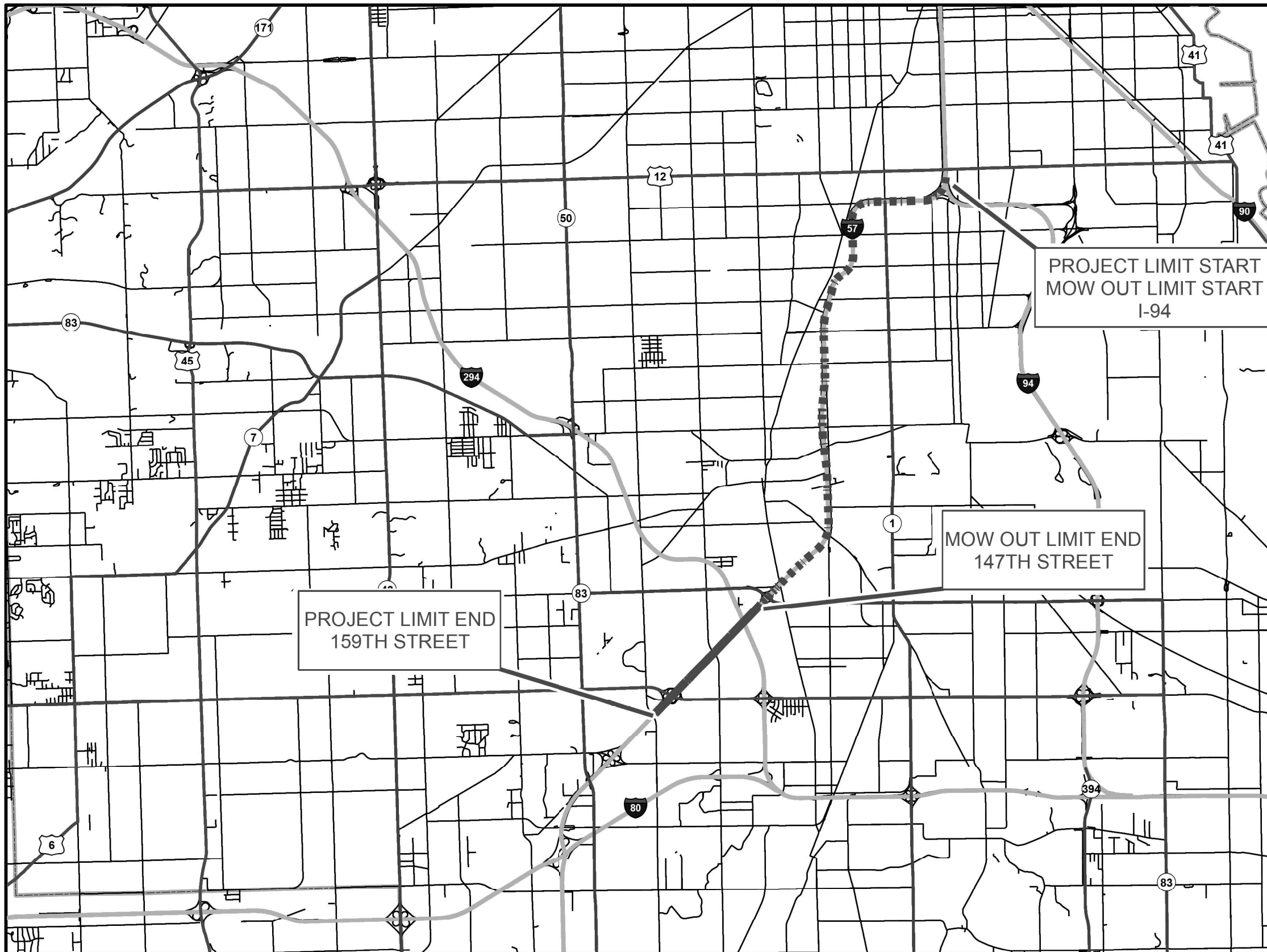
MODEL \$MODELNAME\$
FILE NAME: \$FILE\$

USER NAME = \$USERS\$	DESIGNED	REVISED
PLOT SCALE = \$SCALES\$	DRAWN -	REVISED -
PLOT DATE = \$DATES\$	CHECKED -	REVISED -
	DATE - \$DATE\$	REVISED -

STATE OF ILLINOIS
DEPARTMENT OF TRANSPORTATION

I-94 (BISHOP FORD) - COTTAGE GROVE AVENUE TO 159TH STREET
SCALE: **NONE** SHEET 1 OF 1 SHEETS STA. TO STA.

F.A. RTE.	SECTION	COUNTY	TOTAL SHEETS	SHEET NO.
VAR	2025-1080-LS	VARIOUS	18	13
CONTRACT NO. 62Y35				



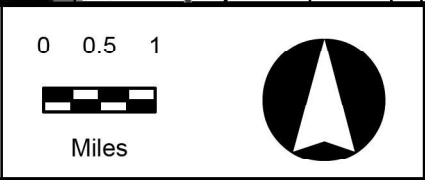
PROJECT LIMIT START
MOW OUT LIMIT START
I-94

MOW OUT LIMIT END
147TH STREET

PROJECT LIMIT END
159TH STREET

STATE OF ILLINOIS
DEPARTMENT OF TRANSPORTATION

LANDSCAPE MAINTENANCE



CONTRACT # 62Y35
MOWING VARIOUS
I-57 A - I-94 TO 159TH STREET

Map Prepared by: 2IM Group, LLC
Team Section:
Route: I-57
Panel Number:

Team Section:
Work Order #:
Sheet #: Index

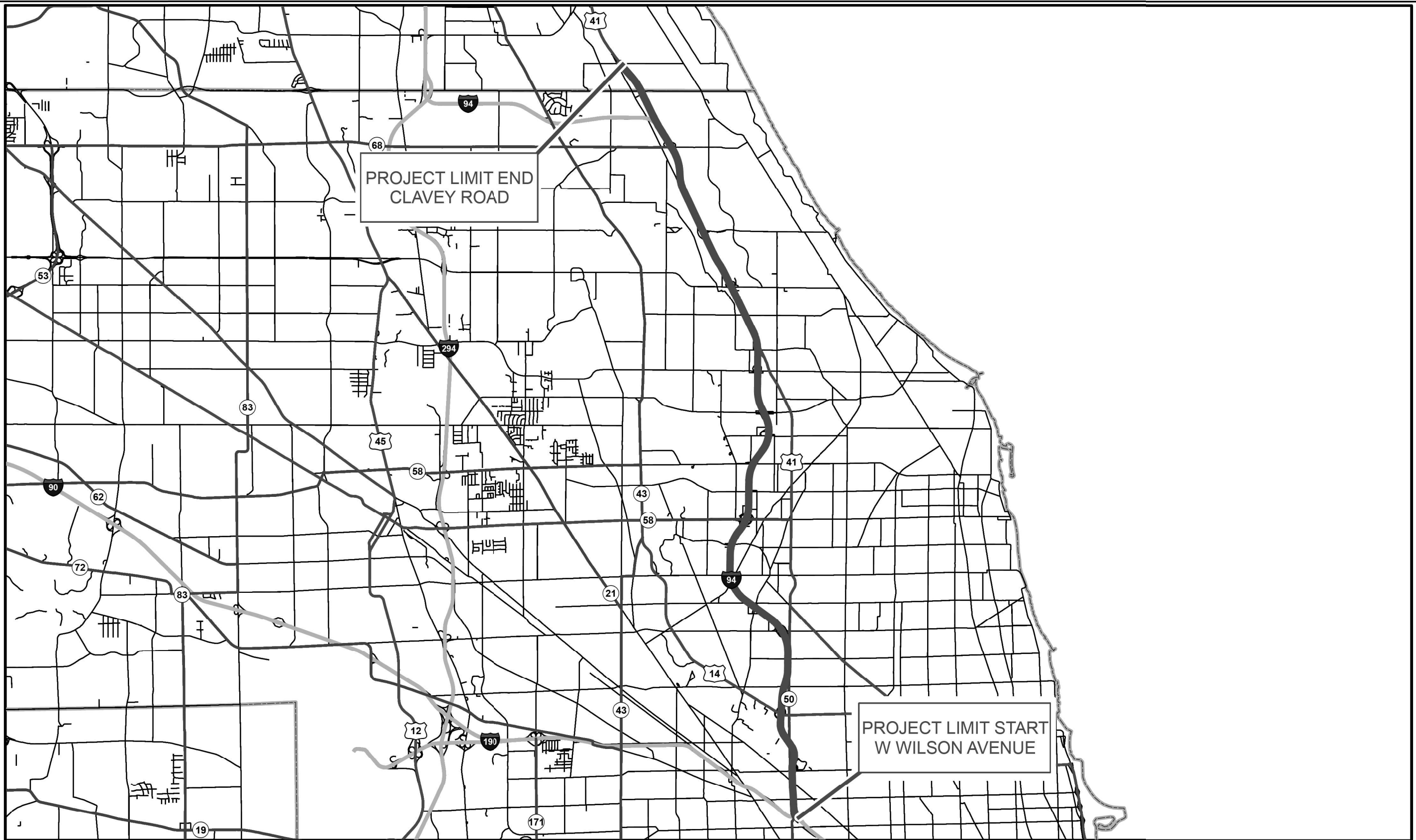
MODEL: SMODEL.VARIES
FILE NAME: SFILE.S

USER NAME = SUSERS	DESIGNED -	REVISED -
PLOT SCALE = SCALES	DRAWN -	REVISED -
PLOT DATE = SDATES	CHECKED -	REVISED -
	DATE - SDATES	REVISED -

STATE OF ILLINOIS
DEPARTMENT OF TRANSPORTATION

I-57 A - I-94 TO 159TH STREET
SCALE: NONE SHEET 1 OF 1 SHEETS STA. TO STA.

F.A. RTE.	SECTION	COUNTY	TOTAL SHEETS	SHEET NO.
VAR	2025-1080-LS	VARIOUS	18	14
CONTRACT NO. 62Y35				
ILLINOIS				



STATE OF ILLINOIS DEPARTMENT OF TRANSPORTATION LANDSCAPE MAINTENANCE	0 0.5 1 Miles		CONTRACT # 62Y35 MOWING VARIOUS I-94 (EDENS) - W WILSON AVENUE TO CLAVEY ROAD	Map Prepared by: 2IM Group, LLC Team Section: Route: I-94 Panel Number:	Team Section: Work Order #: Sheet #: Index
--	----------------------	--	--	--	--

MODEL: SMOCDENAMES
 FILE NAME: SFEELS

USER NAME = SUSERS	DESIGNED -	REVISED -
PLOT SCALE = SCALES	DRAWN -	REVISED -
PLOT DATE = SDATES	CHECKED -	REVISED -
	DATE - SDATES	REVISED -

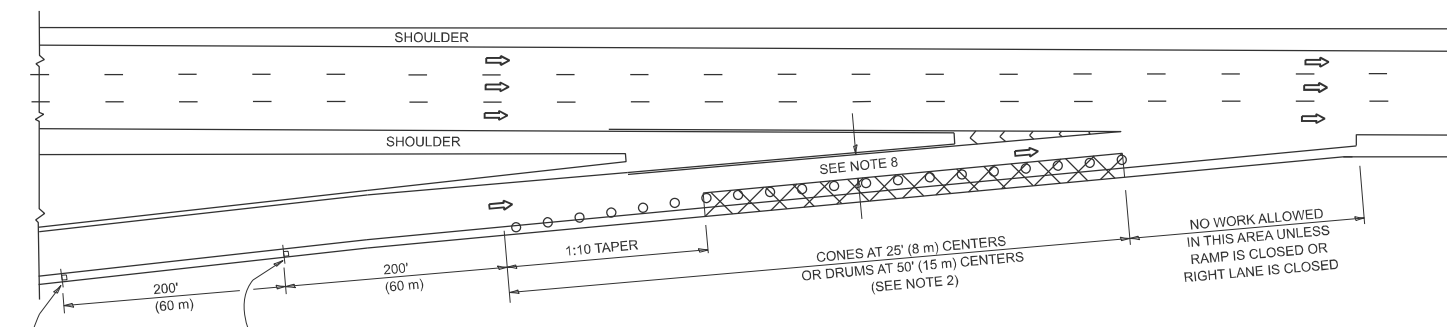
STATE OF ILLINOIS
DEPARTMENT OF TRANSPORTATION

I-94 (EDENS) - W WILSON AVENUE TO CLAVEY ROAD

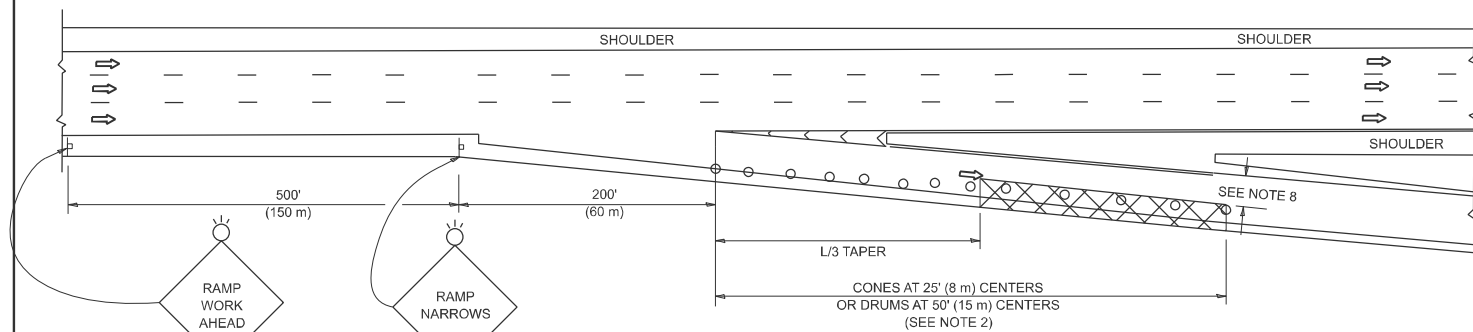
 SCALE: **NONE** SHEET 1 OF 1 SHEETS STA. TO STA.

F.A. RTE.	SECTION	COUNTY	TOTAL SHEETS	SHEET NO.
VAR	2025-1080-LS	VARIOUS	18	17
CONTRACT NO. 62Y35				
ILLINOIS				

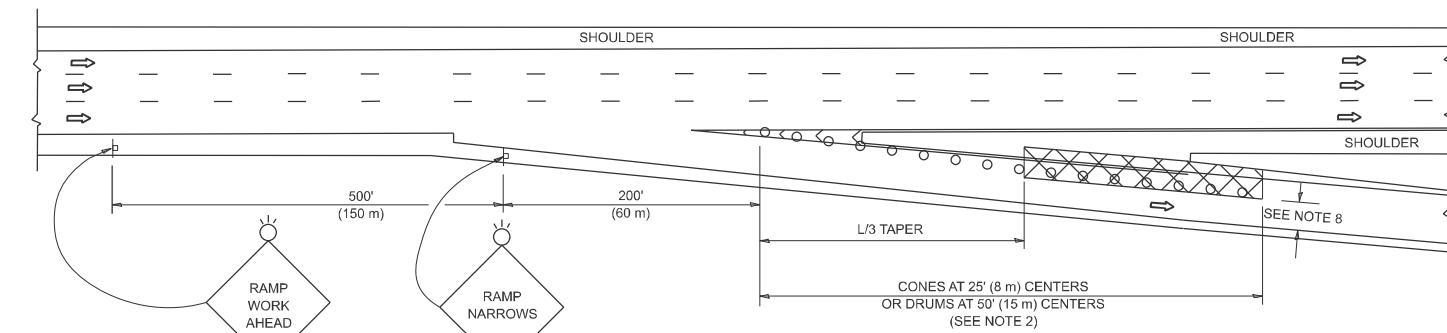
PARTIAL RAMP CLOSURE DETAILS



TYPICAL ENTRANCE RAMP



TYPICAL EXIT RAMP



TYPICAL EXIT RAMP

SYMBOLS

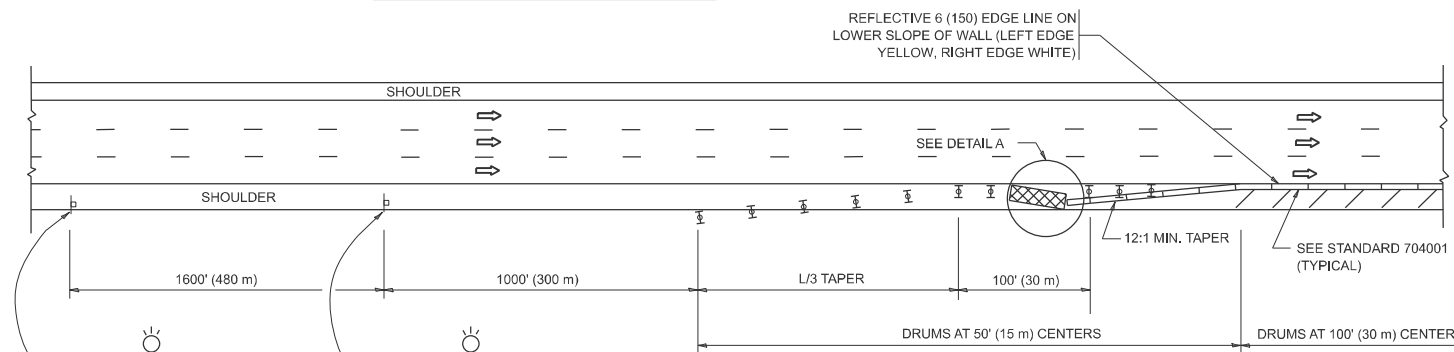
- ACTIVE WORK AREA
- SIGN ON PORTABLE OR PERMANENT SUPPORT
- FLAGGER WITH CONTROL SIGN
- TYPE II BARRICADE OR DRUM
- CONE, DRUM OR BARRICADE
- IMPACT ATTENUATOR OF TYPE AND TEST LEVEL SPECIFIED

GENERAL NOTES:

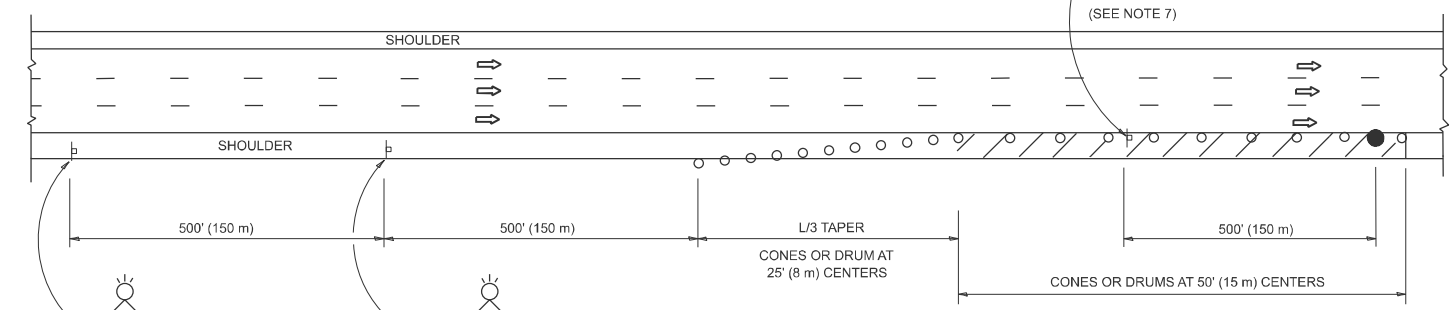
- THE "L" DISTANCE EQUALS:

SPEED LIMIT	FORMULAS
45 mph (80 km/h) OR GREATER:	METRIC ENGLISH L=0.65(W)(S) L=(W)(S)
W = WIDTH OF OFFSET IN FEET (METERS)	
S = NORMAL POSTED SPEED MPH (KM/H)	
- TYPE II BARRICADES OR DRUMS ARE REQUIRED FOR ALL NIGHTTIME CLOSURES. TYPE II BARRICADES OR DRUMS WITH MONODIRECTIONAL STEADY BURN LIGHTS ARE REQUIRED FOR DELINEATING OBSTACLES, EXCAVATIONS, OR HAZARDS EXCEEDING 100 FT (30m) IN LENGTH AT NIGHT.
- ALL SIGNS SHALL BE POST MOUNTED IF THE CLOSURE TIME EXCEEDS FOUR DAYS.
- FLASHING LIGHTS SHALL BE USED DURING THE HOURS OF DARKNESS AND SHALL BE INSTALLED ABOVE THE FIRST TWO SETS OF SIGNS.

SHOULDER CLOSURE DETAILS

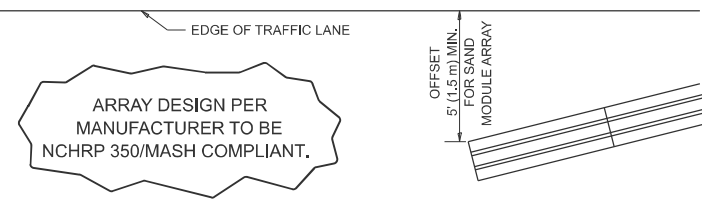


PERMANENT SHOULDER CLOSURE



TEMPORARY SHOULDER CLOSURE

THIS DETAIL IS USED WHERE:
 1. VEHICLES, EQUIPMENT, WORKERS OR THEIR ACTIVITIES ENCR OACH IN AN AREA CLOSER THAN 15' (4.5 m) TO THE EDGE OF PAVEMENT FOR A PERIOD IN EXCESS OF 15 MINUTES.



**DETAIL "A"
IMPACT ATTENUATOR, TEMPORARY
(SEE NOTE 5)**

- THE IMPACT ATTENUATOR, TEMPORARY IS NOT REQUIRED WHEN THE TEMPORARY CONCRETE BARRIER WALL IS PROTECTED BY OR IS TIED INTO THE EXISTING GUARDRAIL. IF OFFSET IS LESS THAN 5 FEET USE NARROW USE TYPE DEVICE TO MEET NCHRP350/MASH.
- AUTHORIZATION FROM THE DISTRICT'S BUREAU OF TRAFFIC IS REQUIRED FOR ALL FREEWAY CLOSURES.
- THE FLAGGER AND FLAGGER SIGN ARE REQUIRED AT THE ABOVE WORK SITES WHEN:
 a. FOUR OR MORE WORK VEHICLES ENTER THE TRAFFIC LANES IN A ONE HOUR PERIOD.
 b. THE WORK ACTIVITY REQUIRES FREQUENT ENCR OACHMENT INTO THE LANE OPEN TO TRAFFIC.
 THE FLAGGER SHALL BE STATIONED APPROXIMATELY 100' (30 m) TO 200' (60 m) IN ADVANCE OF THE WORKERS.

- 12' MIN. WIDTH TANGENT SECTION
16' MIN. WIDTH CURVE SECTION.
- TEMPORARY SHOULDER AND NON-SYSTEM INTERCHANGE PARTIAL CLOSURES ARE ALLOWED WEEKDAYS BETWEEN 9:00 A.M. AND 3:00 P.M. AND BETWEEN 7:00 P.M. AND 5:00 A.M. OR AS APPROVED BY THE EXPRESSWAY TRAFFIC OPERATIONS ENGINEER. PERMANENT SHOULDER AND PARTIAL RAMP CLOSURES WILL ONLY BE PERMITTED IF CALLED FOR IN THE PLANS OR AS APPROVED BY THE EXPRESSWAY OPERATIONS ENGINEER.

ALL DIMENSIONS ARE IN INCHES (MILLIMETERS) UNLESS OTHERWISE SHOWN.

MODEL: TC 17 (Sheet)
 FILE NAME: c:\p\work\vw\182722\182722-18226-shr-Dist-Stds.dgn

USER NAME = thanh.vo	DESIGNED -	REVISED - M.D. 06-13
	DRAWN - D.W.S.	REVISED - M.D. 01-18
	CHECKED -	REVISED - M.D. 10-20
PLOT DATE = 12/5/2025	DATE - 11-96	REVISED - D.S. 05-24

**STATE OF ILLINOIS
DEPARTMENT OF TRANSPORTATION**

**TRAFFIC CONTROL DETAILS FOR FREEWAY
SHOULDER CLOSURES AND PARTIAL RAMP CLOSURES**

SCALE: NONE SHEET 1 OF 1 SHEETS STA. TO STA.

F.A. RTE.	SECTION	COUNTY	TOTAL SHEETS	SHEET NO.
VAR	2025-1080-LS	VARIOUS	18	18
TC-17			CONTRACT NO. 62Y35	
ILLINOIS		FED. AID PROJECT		