

02-27-2026 LETTING ITEM 050

ADT: 20,200 (I-57/2023)
15,900 (IL 16/2023)

FOR INDEX OF SHEETS, SEE SHEET NO. 2

PAVING OMISSIONS

NB I-57: STA. 813+79.64 TO STA. 815+88.05 (BRIDGE OVER IL 316)

SB I-57: STA. 813+79.46 TO STA. 815+87.97 (BRIDGE OVER IL 316)

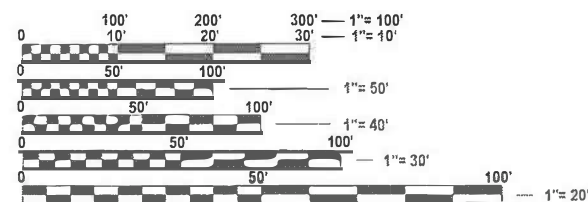
DESIGN DESIGNATION

I-57: 2928(45) INTERSTATE 29.36(FD-20)
RAMPS: 359(45) INTERSTATE 2.85(FDE-20)
IL 16: 2487(45) OTHER PRINCIPAL ARTERIAL 5.06(PCC-20)

PROJECT ENDS: STA. 840+69

PR. S.N. 015-2026 AT STA. 808+31.35 IS A 14'H X 16'W X 272.5 L BOX CULVERT THAT REPLACES EX. S.N. 015-0051 (SB) & EX. S.N. 015-0052 (NB). THE EX. STR'S ARE 4-SPAN BRIDGES WITH A LENGTH OF 141'-5" THAT SPAN THE LINCOLN PRAIRIE GRASS TRAIL.

PR. S.N. 015-0078 (NB) AT STA. 788+65.37 & PR. S.N. 015-0079 (SB) AT STA. 788+67.44 ARE 2-SPAN BRIDGES OVER IL 16 WITH A LENGTH OF 194'-0". THEY REPLACE EX. S.N. 015-0005 (NB) & S.N. 015-0006 (SB). THE EX. STR'S ARE 4-SPAN BRIDGES WITH A LENGTH OF 237'-8".



FULL SIZE PLANS HAVE BEEN PREPARED USING STANDARD ENGINEERING SCALES. REDUCED SIZED PLANS WILL NOT CONFORM TO STANDARD SCALES. IN MAKING MEASUREMENTS ON REDUCED PLANS, THE ABOVE SCALES MAY BE USED.

J.U.L.I.E.
JOINT UTILITY LOCATION INFORMATION FOR EXCAVATION
1-800-892-0123
OR 811

PROJECT ENGINEER: MATT BOWER
PROJECT MANAGER: KALEB HIRTZEL
(217)342-8256

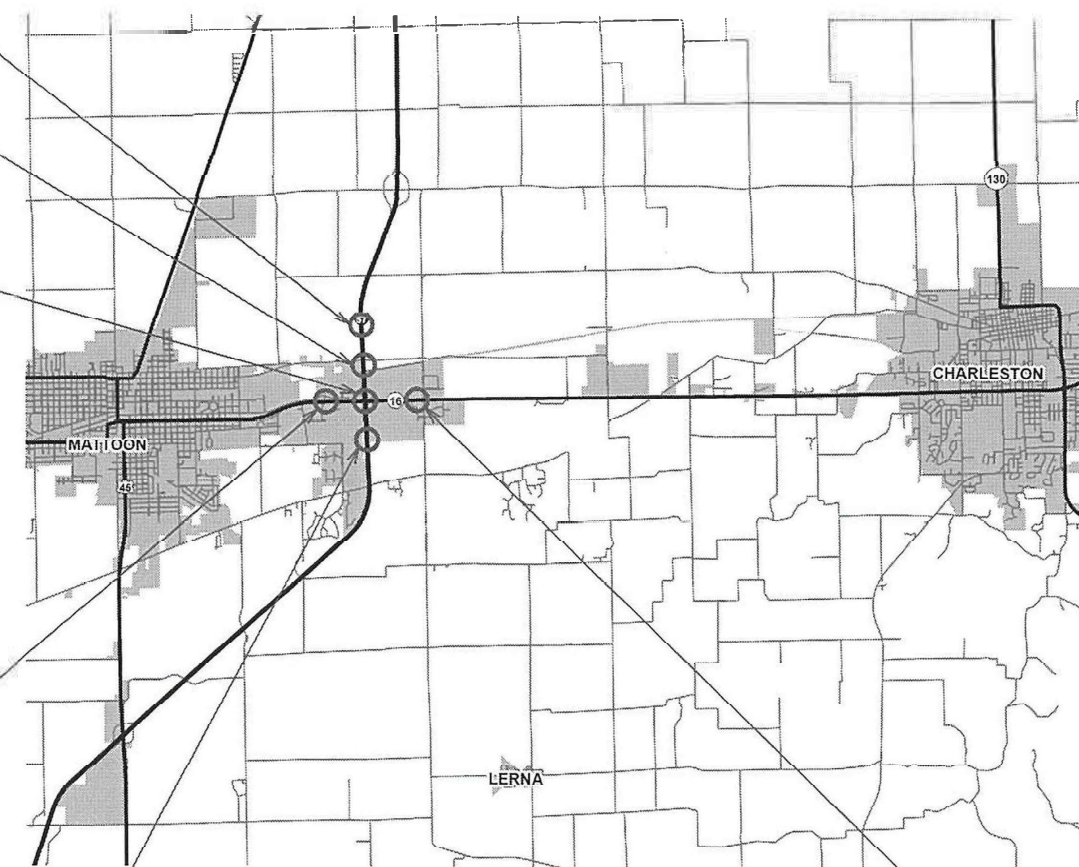
CONTRACT NO. 74435

PROJECT BEGINS: STA. 760+60

IL 16 WEST LIMIT:
STA. 91+75

IL 16 EAST LIMIT:
STA. 147+95

GROSS LENGTH = 8009.00 FT. = 1.517 MILES
NET LENGTH = 7800.49 FT. = 1.477 MILES



STATE OF ILLINOIS
DEPARTMENT OF TRANSPORTATION

**PROPOSED
HIGHWAY PLANS**

**FAI ROUTE 57 (I-57)
SECTION (15-22HB-4)BR (15-22)R
PROJECT NHPP-BR-CFS0(030)
RECONSTRUCTION/BRIDGE REPLACEMENT
COLES COUNTY**

C-97-038-10

F.A.I. RTE.	SECTION	COUNTY	TOTAL SHEETS	SHEET NO.
57	(15-22HB-4)BR (15-22)R	COLES	1085	1
		ILLINOIS	CONTRACT NO. 74435	

D-97-015-10



STATE OF ILLINOIS
DEPARTMENT OF TRANSPORTATION

SUBMITTED August 14 20 25
Terese C. Priel
REGIONAL ENGINEER

October 3 20 25
Scott A. Etkin
ENGINEER OF DESIGN AND ENVIRONMENT

October 3 20 25
Gregory
DIRECTOR OF HIGHWAYS PROJECT IMPLEMENTATION

**PRINTED BY THE AUTHORITY
OF THE STATE OF ILLINOIS**

INDEX OF SHEETS:

GENERAL NOTES:

THE FOLLOWING STANDARDS ARE A PART OF THESE PLANS AND ARE INCLUDED FOLLOWING THE LAST NUMBERED SHEET IN THE PLANS.

STD NO.	DESCRIPTION
000001-09	STANDARD SYMBOLS, ABBREVIATIONS AND PATTERNS
001001-02	AREAS OF REINFORCEMENT BARS
001006	DECIMAL OF AN INCH AND OF A FOOT
280001-07	TEMPORARY EROSION CONTROL SYSTEMS
406001-06	ENTRANCE RAMP TERMINAL
406101-05	EXIT RAMP TERMINAL
420001-11	PAVEMENT JOINTS
420101-07	24' JOINTED PCC PAVEMENT
420106-07	36' JOINTED PCC PAVEMENT
420401-13	PAVEMENT CONNECTOR (PCC) FOR BRIDGE APPROACH SLAB
420701-03	PAVEMENT WELDED WIRE REINFORCEMENT
424001-12	PERPENDICULAR CURB RAMPS FOR SIDEWALKS
424031-03	MEDIAN PEDESTRIAN CROSSINGS
442001-04	CLASS A PATCHES
442201-04	CLASS C & D PATCHES
482001-02	HMA SHOULDER ADJACENT TO FLEXIBLE PAVEMENT
482011-03	HMA SHOULDER STRIPS WITH RESURFACING OR WIDENING & RESURFACING PROJECTS
483001-06	PCC SHOULDER
515001-04	NAME PLATES FOR BRIDGES
542001-06	CONCRETE END SECTIONS FOR PIPE CULVERTS 15"-84" DIAMETER
542301-03	PRECAST REINFORCED CONCRETE FLARED END SECTION
542306-03	PRECAST REINFORCED CONCRETE ELLIPTICAL FLARED END SECTION
542311-07	TRAVERSABLE PIPE GRATE FOR CONCRETE END SECTIONS
542501-02	INLET BOX TYPE A 24IN
542606-02	REINFORCED CONCRETE PIPE TEE
601001-05	PIPE UNDERDRAINS
602301-04	INLET TYPE A
602306-03	INLET TYPE B
602401-07	PRECAST MANHOLE TYPE A 4' DIAMETER
602402-03	PRECAST MANHOLE TYPE A 5' DIAMETER
602406-11	PRECAST MANHOLE TYPE A 6' DIAMETER
602411-09	PRECAST MANHOLE TYPE A 7' DIAMETER
602416-09	PRECAST MANHOLE TYPE A 8' DIAMETER
602701-02	MANHOLE STEPS
604001-05	FRAME AND LIDS TYPE 1
604006-05	FRAME AND GRATE TYPE 3
604016-04	FRAME AND GRATE TYPE 4
604036-03	GRATE TYPE 8
604101-01	MEDIAN INLET 24" REINFORCED CONCRETE PIPE
606001-09	CONCRETE CURB TYPE B AND COMBINATION CONCRETE CURB AND GUTTER
606301-04	PC CONCRETE ISLANDS AND MEDIANS
630001-13	STEEL PLATE BEAM GUARDRAIL
630116	BACKSIDE PROTECTION OF GUARDRAIL
630201-07	PCC-HMA STABILIZATION AT STEEL PLATE BEAM GUARDRAIL
630301-09	SHOULDER WIDENING FOR TYPE 1 GUARDRAIL TERMINALS
631011-10	TRAFFIC BARRIER TERMINAL TYPE 2
631031-18	TRAFFIC BARRIER TERMINAL TYPE 6
637006-05	CONCRETE BARRIER DOUBLE FACE 44" HEIGHT
638101-02	CONCRETE GLARE SCREEN
642001-03	SHOULDER RUMBLE STRIPS 16"
642006-01	SHOULDER RUMBLE STRIPS 8"
665001-02	WOVEN WIRE FENCE
666001-01	RIGHT OF WAY MARKERS
667101-02	PERMANENT SURVEY MARKERS
701101-05	OFF-RD OPERATIONS, MULTILANE, 15' TO 24" FROM PAVEMENT EDGE
701106-02	OFF-RD OPERATIONS, MULTILANE, MORE THAN 15' AWAY
701400-12	APPROACH TO LANE CLOSURE FREEWAY EXPRESSWAY
701401-13	LANE CLOSURE FREEWAY EXPRESSWAY
701402-12	LANE CLOSURE, FREEWAY/EXPRESSWAY WITH BARRIER
701406-13	LANE CLOSURE, FREEWAY/EXPRESSWAY, DAY OPERATIONS ONLY
701411-09	LANE CLOSURE MULTILANE ENTRANCE OR EXIT RAMP 45 MPH OR MORE
701416-11	LANE CLOSURE FREEWAY EXPRESSWAY WITH CROSSOVER AND BARRIER
701421-08	LANE CLOSURE MULTILANE DAY OPERATIONS ONLY 45-55 MPH
701422-10	LANE CLOSURE MULTILANE 45-55 MPH
701423-10	LANE CLOSURE, MULTILANE, WITH BARRIER, FOR SPEEDS >= 45 MPH TO 55 MPH
701426-09	LANE CLOSURE MULTILANE INTERMITTENT OR MOVING OPERATIONS 45 MPH OR MORE
701428-01	TRAFFIC CONTROL SETUP REMOVAL FREEWAY EXPRESSWAY
701451-05	RAMP CLOSURE FREEWAY EXPRESSWAY
701456-05	PARTIAL EXIT RAMP CLOSURE FREEWAY EXPRESSWAY
701801-06	SIDEWALK, CORNER OR CROSSWALK CLOSURE
701901-11	TRAFFIC CONTROL DEVICES
704001-08	TEMPORARY CONCRETE BARRIER
720001-01	SIGN PANEL MOUNTING DETAILS
720006-04	SIGN PANEL ERECTION DETAILS
725001-01	OBJECT AND TERMINAL MARKERS
728001-01	TELESCOPING STEEL SIGN SUPPORT
780001-05	TYPICAL PAVEMENT MARKINGS
781001-04	TYPICAL APPLICATIONS RAISED REFLECTIVE PAVEMENT MARKERS
782006-01	GUARDRAIL AND BARRIER WALL REFLECTOR MOUNTING DETAILS
825001-04	LIGHTING CONTROLLER POLE MOUNTED, 240V
825011-04	LIGHTING CONTROLLER PEDESTAL MOUNTED, 240V
836001-05	LIGHT POLE FOUNDATION
838001-01	BREAKAWAY DEVICES
873001-02	TRAFFIC SIGNAL GROUNDING AND BONDING
876001-04	PEDESTRIAN PUSH BUTTON POST

* MORE STANDARDS CONTINUED IN COLUMN TO THE LEFT.

REV - MS

SHEET NO.	ITEM
1	COVER SHEET
2	INDEX OF SHEETS, GENERAL NOTES & HIGHWAY STANDARDS
3 - 17	SUMMARY OF QUANTITIES
18 - 32	TYPICAL SECTIONS
33 - 82	SCHEDULE OF QUANTITIES
83 - 98	ALIGNMENTS
99	EX. & PR. INTERCHANGE LAYOUT
100 - 169	PLAN & PROFILE SHEETS
170 - 395	STAGING PLANS
396 - 398	TRAFFIC CONTROL AND PROTECTION (SPECIAL)
399 - 400	REAL TIME TRAFFIC CONTROL SYSTEM
401 - 406	DETOUR SIGNING DETAILS
407 - 543	DRAINAGE SHEETS
544 - 547	R.O.W. PLANS
548 - 555	CROSS-OVER PLANS
556 - 566	PCC PAVEMENT JOINT DETAILS
567 - 568	MEDIAN DETAILS
569 - 585	PAVEMENT MARKING DETAILS
586 - 614	ROADWAY SIGNS
615 - 623	OVERHEAD SIGN STRUCTURE PLANS
624 - 625	BREAK-AWAY WIDE FLANGE POST DETAILS
626 - 629	PED/BICYCLE SIGN DETAILS
630 - 631	TEMPORARY SIGNAL PLANS
632 - 643	LIGHTING PLANS
644 - 645	CCTV CAMERA DETAILS
646 - 650	DRAINAGE STRUCTURE DETAILS
651 - 660	STR 015-2026 PLANS
661 - 701	STR'S 015-0078 & 015-0079 PLANS
702 - 710	CONSTRUCTION DETAILS
711 - 1086	CROSS-SECTIONS

TREES THREE (3) INCHES OR GREATER IN DIAMETER AT BREAST HEIGHT SHALL NOT BE CLEARED FROM APRIL 1ST THROUGH SEPTEMBER 30 OF ANY GIVEN YEAR.

NO STOCKPILING OF MATERIAL OR EQUIPMENT STAGING SHALL BE LOCATED WITHIN 100 FEET OF THE LINCOLN PRAIRIE GRASS TRAIL.

THE LONGITUDINAL JOINT SEALANT SHALL BE APPLIED TO THE SURFACE OF THE TOP LAYER OF POLYMERIZED HMA BINDER COURSE.

WHEN APPLYING SHORT-TERM PAVEMENT MARKINGS, TEMPORARY TAPE SHALL BE USED ON THE FINAL HMA OR PCC SURFACE.

THE FOLLOWING RATES OF APPLICATION HAVE BEEN USED WHEN CALCULATING PLAN QUANTITIES:

LIME	0.025 TONS/CU YD
SUBBASE GRANULAR MATERIAL TYPE C:	1.75 TONS/CU YD
AGGREGATE BASE COURSE, TYPE A AGGREGATE WEDGE SHOULDERS, TYPE B POROUS GRANULAR EMBANKMENT ROCK-FILL REPLACEMENT	2.05 TONS/ CU YD
HOT-MIX ASPHALT HOT-MIX ASPHALT SHOULDERS	112 LB/SQ YD/IN
SMA HOT-MIX ASPHALT	130 LB/SQ YD/IN

HIGHWAY STANDARDS CONTINUED

STD NO.	DESCRIPTION
635001-02	DELINEATORS
720011-01	METAL POSTS FOR SIGNS, MARKERS AND DELINEATORS
805001-01	ELECTRICAL SERVICE INSTALLATION DETAILS
821101-03	LUMINAIRE WIRING IN POLE
830006-05	LIGHT POLE ALUMINUM DAVIT ARM
830021-04	LIGHT POLE STEEL TENON TOP

THE FOLLOWING MIXTURE REQUIREMENTS ARE APPLICABLE TO THIS PROJECT:

MIXTURE USE	APPLICATION	AC/PG	DESIGN AIR VOIDS	MIXTURE COMPOSITION	FRICTION AGGREGATE	QUALITY MANAGEMENT
HMA BASE COURSE 9"	POLYMERIZED HMA BINDER COURSE, IL-19.0, N90 (ALL LIFTS)	SBS PG 70-22	4.0% @ N=90	IL - 19.0	N/A	QC/QA
HMA BASE COURSE 10"	POLYMERIZED HMA BINDER COURSE, IL-19.0, N90 (ALL LIFTS)	SBS PG 70-22	4.0% @ N=90	IL - 19.0	N/A	QC/QA
HMA BASE COURSE 12"	POLYMERIZED HMA BINDER COURSE, IL-19.0, N90 (ALL LIFTS)	SBS PG 70-22	4.0% @ N=90	IL - 19.0	N/A	QC/QA
INCIDENTAL	HMA SURFACE COURSE, IL-9.5, MIX C, N70	PG 64-22	4.0% @ N=70	IL - 9.5	C	QC/QA
CLASS D PATCHING	HMA BINDER COURSE, IL-19.0, N90	PG 64-22	4.0% @ N=90	IL - 19.0	N/A	QC/QA
HMA SHOULDERS	HMA SURFACE COURSE, IL-9.5, MIX C, N70 (TOP LIFT)	PG 64-22	4.0% @ N=70	IL - 9.5	C	QC/QA
HMA SHOULDERS	HMA BINDER COURSE, IL-19.0, N90 (LOWER LIFTS)	PG 64-22	4.0% @ N=70	IL - 19.0	N/A	QC/QA
I-57						
RESURFACING/FULL-DEPTH 16"	POLYMERIZED HMA SURFACE COURSE, STONE MATRIX ASPHALT, MIX "E", N80 (2")	SBS PG 76-22	4.0% @ N=80	IL - 12.5	MIXTURE E	QC/QA
RESURFACING/FULL-DEPTH 16"	POLYMERIZED HMA BINDER COURSE, IL-19.0, N90 (3")	SBS PG 70-22	4.0% @ N=90	IL - 19.0	N/A	QC/QA
FULL-DEPTH 16"	POLYMERIZED HMA BINDER COURSE, IL-19.0, N90 (3")	SBS PG 70-22	4.0% @ N=90	IL - 19.0	N/A	QC/QA
NEW PROFILE VARIABLE BINDER/FULL-DEPTH 16"	HMA BINDER COURSE, IL-19.0, N90 (4")	PG 64-22	4.0% @ N=90	IL - 19.0	N/A	QC/QA
NEW PROFILE VARIABLE BINDER/FULL-DEPTH 16"	HMA BINDER COURSE, IL-19.0, N90 (4")	PG 64-22	4.0% @ N=90	IL - 19.0	N/A	QC/QA
MEDIAN TURNAROUND	HMA SURFACE COURSE, IL-9.5, MIX "C", N70 (2")	PG 64-22	4.0% @ N=70	IL - 9.5FG	N/A	QC/QA
PR RAMPS						
FULL-DEPTH, 10 1/2"	POLYMERIZED HMA SURFACE COURSE, MIX "D", N90 (2")	SBS PG 70-22	4.0% @ N=90	IL - 9.5	MIXTURE D	QC/QA
FULL-DEPTH, 10 1/2"	POLYMERIZED HMA BINDER COURSE, IL-19.0, N90 (2 1/4")	SBS PG 70-22	4.0% @ N=90	IL - 19.0	N/A	QC/QA
FULL-DEPTH, 10 1/2"	POLYMERIZED HMA BINDER COURSE, IL-19.0, N90 (2 1/4")	SBS PG 70-22	4.0% @ N=90	IL - 19.0	N/A	QC/QA
FULL-DEPTH, 10 1/2"	HMA BINDER COURSE, IL-19.0, N90 (4")	PG 64-22	4.0% @ N=90	IL - 19.0	N/A	QC/QA
IL 16						
RESURFACING	POLYMERIZED HMA SURFACE COURSE, MIX "D", N90 (2")	SBS PG 70-22	4.0% @ N=90	IL - 9.5	MIXTURE D	QC/QA
RESURFACING	POLYMERIZED HMA BINDER COURSE, IL-19.0, N90 (1 3/4")	SBS PG 70-22	4.0% @ N=90	IL - 19.0	N/A	QC/QA
SHARED-USE PATH						
HMA SHARED-USE PATH	HMA SURFACE COURSE, IL-9.5, MIX "C", N70 (2")	PG 64-22	4.0% @ N=70	IL - 9.5FG	N/A	QC/QA

MODEL: GENERAL NOTES (Sheet)
FILE NAME: c:\pwworking\hrtzsk\hrtzsk\0852852\0774435-sheets-CemNot.dgn

USER NAME = kaleb.hirtzel	DESIGNED -	REVISED -
	DRAWN -	REVISED -
	CHECKED -	REVISED -
PLOT DATE = 7/29/2025	DATE -	REVISED -

**STATE OF ILLINOIS
DEPARTMENT OF TRANSPORTATION**

**INDEX OF SHEETS, GENERAL NOTES
& HIGHWAY STANDARDS**

SCALE: SHEET 1 OF 1 SHEETS STA. TO STA.

F A I RTE.	SECTION	COUNTY	TOTAL SHEETS	SHEET NO.
57	(15-22HB-4)BR (15-22)R	COLES	1086	2
CONTRACT NO. 74435				
ILLINOIS FED. AID PROJECT				

SUMMARY OF QUANTITIES			TOTAL QUANTITIES	CONSTRUCTION TYPE CODE		
CODE NO	ITEM	UNIT		URBAN 90% FEDERAL 10% STATE I-57 0004	URBAN 80% FEDERAL 20% STATE IL 16 0004	URBAN 90% FEDERAL 10% STATE I-57 0010
20100110	TREE REMOVAL (6 TO 15 UNITS DIAMETER)	UNIT	265	265		
20100210	TREE REMOVAL (OVER 15 UNITS DIAMETER)	UNIT	484	367	117	
20100500	TREE REMOVAL, ACRES	ACRE	7.5	7.25	0.25	
20200100	EARTH EXCAVATION	CU YD	214782	164126	50656	
20200600	EXCAVATING AND GRADING EXISTING SHOULDER	UNIT	29	21	8	
20400800	FURNISHED EXCAVATION	CU YD	121903	94580	27323	
20700110	POROUS GRANULAR EMBANKMENT	TON	1144	1144		
20700220	POROUS GRANULAR EMBANKMENT	CU YD	1107		1107	
20800150	TRENCH BACKFILL	CU YD	880	325	555	
21101505	TOPSOIL EXCAVATION AND PLACEMENT	CU YD	26911	20387	6524	
21101615	TOPSOIL FURNISH AND PLACE, 4"	SQ YD	3998		3998	
25000200	SEEDING, CLASS 2	ACRE	60	40	20	
25000400	NITROGEN FERTILIZER NUTRIENT	POUND	5366	3597	1769	
25000500	PHOSPHORUS FERTILIZER NUTRIENT	POUND	5366	3597	1769	

SUMMARY OF QUANTITIES			TOTAL QUANTITIES	CONSTRUCTION TYPE CODE		
CODE NO	ITEM	UNIT		URBAN 90% FEDERAL 10% STATE I-57 0004	URBAN 80% FEDERAL 20% STATE IL 16 0004	URBAN 90% FEDERAL 10% STATE I-57 0010
25000600	POTASSIUM FERTILIZER NUTRIENT	POUND	5366	3597	1769	
25000700	AGRICULTURAL GROUND LIMESTONE	TON	119 .3	79.9	39.4	
25100115	MULCH, METHOD 2	ACRE	52	32	20	
25100630	EROSION CONTROL BLANKET	SQ YD	30044	30044		
28000250	TEMPORARY EROSION CONTROL SEEDING	POUND	28671	24361	4310	
28000305	TEMPORARY DITCH CHECKS	FOOT	3959	3080	879	
28000400	PERIMETER EROSION BARRIER	FOOT	2143	2143		
28000500	INLET AND PIPE PROTECTION	EACH	48	27	21	
28001100	TEMPORARY EROSION CONTROL BLANKET	SQ YD	30044	30044		
28100105	STONE RIPRAP, CLASS A3	SQ YD	5775	5500	275	
28100107	STONE RIPRAP, CLASS A4	SQ YD	5671	5252	419	
28200200	FILTER FABRIC	SQ YD	11445	10752	693	
31000600	PROCESSING LIME STABILIZED SOIL MIXTURE 12"	SQ YD	74596	44352	30244	
31001500	LIME	TON	621.6	369.6	252.0	

* SPECIALTY ITEM

REV - MS

MODEL: SOQ (Sheet)
FILE NAME: c:\pwworking\hrtz\hrtz\0652852\0774435-sheets-SOQ.dgn

USER NAME = kaleb.hirtzel	DESIGNED -	REVISED -
	DRAWN -	REVISED -
	CHECKED -	REVISED -
PLOT DATE = 8/16/2024	DATE -	REVISED -

STATE OF ILLINOIS
DEPARTMENT OF TRANSPORTATION

SUMMARY OF QUANTITIES

SCALE: SHEET 1 OF 15 SHEETS STA. TO STA.

F A I RTE.	SECTION	COUNTY	TOTAL SHEETS	SHEET NO.
57	(15-22HB-4)BR (15-22)R	COLES	1086	3
CONTRACT NO. 74435				
ILLINOIS FED. AID PROJECT				

SUMMARY OF QUANTITIES			TOTAL QUANTITIES	CONSTRUCTION TYPE CODE		
CODE NO	ITEM	UNIT		URBAN 90% FEDERAL 10% STATE I-57 0004	URBAN 80% FEDERAL 20% STATE IL 16 0004	URBAN 90% FEDERAL 10% STATE I-57 0010
31101900	SUBBASE GRANULAR MATERIAL, TYPE C	TON	2385	2308	77	
35100100	AGGREGATE BASE COURSE, TYPE A	TON	212		212	
35101100	AGGREGATE BASE COURSE, TYPE A 12"	SQ YD	5141	3162	1979	
35101400	AGGREGATE BASE COURSE, TYPE B	TON	8266	5506	2760	
35501320	HOT-MIX ASPHALT BASE COURSE, 9"	SQ YD	7865	7865		
35501324	HOT-MIX ASPHALT BASE COURSE, 10"	SQ YD	11360	3615	7745	
35501332	HOT-MIX ASPHALT BASE COURSE, 12"	SQ YD	12315	11748	567	
40600290	BITUMINOUS MATERIALS (TACK COAT)	POUND	57125	45081	11644	400
40600370	LONGITUDINAL JOINT SEALANT	FOOT	28010	21351	6659	
40600405	MATERIAL TRANSFER DEVICE	TON	12047	12047		
40600982	HOT-MIX ASPHALT SURFACE REMOVAL - BUTT JOINT	SQ YD	7028	6419	609	
40600990	TEMPORARY RAMP	SQ YD	824		824	
40603090	HOT-MIX ASPHALT BINDER COURSE, IL-19.0, N90	TON	1488	1488		

SUMMARY OF QUANTITIES			TOTAL QUANTITIES	CONSTRUCTION TYPE CODE		
CODE NO	ITEM	UNIT		URBAN 90% FEDERAL 10% STATE I-57 0004	URBAN 80% FEDERAL 20% STATE IL 16 0004	URBAN 90% FEDERAL 10% STATE I-57 0010
40603240	POLYMERIZED HOT-MIX ASPHALT BINDER COURSE, IL-19.0, N90	TON	8141	6451	1690	
40604052	HOT-MIX ASPHALT SURFACE COURSE, IL-9.5, MIX "C", N70	TON	39	39		
40604164	POLYMERIZED HOT-MIX ASPHALT SURFACE COURSE, IL-9.5, MIX "D", N90	TON	2728	596	1932	200
40605034	POLYMERIZED HOT-MIX ASPHALT SURFACE COURSE, STONE MATRIX ASPHALT, 12.5, MIX "E", N80	TON	4313	4313		
40701891	HOT-MIX ASPHALT PAVEMENT (FULL-DEPTH), 10 1/2"	SQ YD	11248	11248		
40702001	HOT-MIX ASPHALT PAVEMENT (FULL-DEPTH), 16"	SQ YD	10791	10791		
40800050	INCIDENTAL HOT-MIX ASPHALT SURFACING	TON	21		21	
42000060	WELDED WIRE REINFORCEMENT	SQ YD	8737	7669	1068	
42000080	PAVEMENT CONNECTOR (PCC) FOR BRIDGE APPROACH SLAB	SQ YD	297			297
42000210	PORTLAND CEMENT CONCRETE PAVEMENT 7 1/2"	SQ YD	2310		2310	
42000400	PORTLAND CEMENT CONCRETE PAVEMENT 9"	SQ YD	3725		3725	

* SPECIALTY ITEM

REV - MS

MODEL: SOQ-1 [Sheet]
FILE NAME: c:\p\work\hrtzel\hrtzel\062852\077435-sheets-SOQ.dgn

USER NAME = kaleb.hrtzel	DESIGNED -	REVISED -
	DRAWN -	REVISED -
	CHECKED -	REVISED -
PLOT DATE = 8/19/2024	DATE -	REVISED -

STATE OF ILLINOIS
DEPARTMENT OF TRANSPORTATION

SUMMARY OF QUANTITIES

SCALE: SHEET 2 OF 15 SHEETS STA. TO STA.

F A I RTE.	SECTION	COUNTY	TOTAL SHEETS	SHEET NO.
57	(15-22HB-4)BR (15-22)R	COLES	1086	4
CONTRACT NO. 74435				
ILLINOIS FED. AID PROJECT				

SUMMARY OF QUANTITIES			TOTAL QUANTITIES	CONSTRUCTION TYPE CODE		
CODE NO	ITEM	UNIT		URBAN 90% FEDERAL 10% STATE I-57 0004	URBAN 80% FEDERAL 20% STATE IL 16 0004	URBAN 90% FEDERAL 10% STATE I-57 0010
4200401	PORTLAND CEMENT CONCRETE PAVEMENT 9' (JOINTED)	SO YD	25527	3267	22260	
4200521	PORTLAND CEMENT CONCRETE PAVEMENT 11' (JOINTED)	SO YD	4814	4814		
4200540	PORTLAND CEMENT CONCRETE PAVEMENT 12'	SO YD	3923	2855	1068	
42001300	PROTECTIVE COAT	SO YD	8539	4814	3725	
42400300	PORTLAND CEMENT CONCRETE SIDEWALK 6 INCH	SO FT	59799		59799	
42400800	DETECTABLE WARNINGS	SO FT	154 .5		154 .5	
4400100	PAVEMENT REMOVAL	SO YD	52737	32156	20581	
4400155	HOT-MIX ASPHALT SURFACE REMOVAL, 1 1/2"	SO YD	49975	24592	25383	
4400157	HOT-MIX ASPHALT SURFACE REMOVAL, 2"	SO YD	1760		1760	
4400500	COMBINATION CURB AND GUTTER REMOVAL	FOOT	25		25	
44004000	PAVED DITCH REMOVAL	FOOT	417	417		
44004250	PAVED SHOULDER REMOVAL	SO YD	70498	55509	14989	
44200610	CLASS A PATCHES, TYPE II, 13 INCH	SO YD	188	188		

SUMMARY OF QUANTITIES			TOTAL QUANTITIES	CONSTRUCTION TYPE CODE		
CODE NO	ITEM	UNIT		URBAN 90% FEDERAL 10% STATE I-57 0004	URBAN 80% FEDERAL 20% STATE IL 16 0004	URBAN 90% FEDERAL 10% STATE I-57 0010
44200612	CLASS A PATCHES, TYPE III, 13 INCH	SO YD	22	22		
44201741	CLASS D PATCHES, TYPE II, 8 INCH	SO YD	100	100		
44201771	CLASS D PATCHES, TYPE IV, 10 INCH	SO YD	437	333	104	
44201789	CLASS D PATCHES, TYPE II, 12 INCH	SO YD	645		645	
44201796	CLASS D PATCHES, TYPE IV, 12 INCH	SO YD	479		479	
44213000	PATCHING REINFORCEMENT	SO YD	210	210		
44213200	SAW CUTS	FOOT	2164	2164		
48101500	AGGREGATE SHOULDERS, TYPE B 6"	SO YD	6003	4738	1265	
48102100	AGGREGATE WEDGE SHOULDER, TYPE B	TON	902	568	334	
48203013	HOT-MIX ASPHALT SHOULDERS, 4"	SO YD	496		496	
48203029	HOT-MIX ASPHALT SHOULDERS, 8"	SO YD	10567	7705	2862	
48203061	HOT-MIX ASPHALT SHOULDERS, 16"	SO YD	73929	73929		
48203100	HOT-MIX ASPHALT SHOULDERS	TON	8252	6416	1836	
48300100	PORTLAND CEMENT CONCRETE SHOULDERS 6"	SO YD	119	30	89	

* SPECIALTY ITEM

REV - MS

MODEL: SOQ_2 [Sheet]
FILE NAME: c:\p\work\hartzel\hartzel\0852852\0774435-sheets-SOQ.dgn

USER NAME = kaleb.hirtzel	DESIGNED -	REVISED -
	DRAWN -	REVISED -
	CHECKED -	REVISED -
PLOT DATE = 7/16/2025	DATE -	REVISED -

STATE OF ILLINOIS
DEPARTMENT OF TRANSPORTATION

SUMMARY OF QUANTITIES

SCALE: SHEET 3 OF 15 SHEETS STA. TO STA.

FAI RTE.	SECTION	COUNTY	TOTAL SHEETS	SHEET NO.
57	(15-22HB-4)BR (15-22)R	COLES	1086	5
CONTRACT NO. 74435				
ILLINOIS FED. AID PROJECT				

SUMMARY OF QUANTITIES			TOTAL QUANTITIES	CONSTRUCTION TYPE CODE		
CODE NO	ITEM	UNIT		URBAN 90% FEDERAL 10% STATE I-57 0004	URBAN 80% FEDERAL 20% STATE IL 16 0004	URBAN 90% FEDERAL 10% STATE I-57 0010
48300300	PORTLAND CEMENT CONCRETE SHOULDERS 8"	SQ YD	2152	298	1854	
48300400	PORTLAND CEMENT CONCRETE SHOULDERS 9"	SQ YD	193		193	
50100100	REMOVAL OF EXISTING STRUCTURES	EACH	2	1	1	
50100300	REMOVAL OF EXISTING STRUCTURES NO. 1	EACH	1			1
50100400	REMOVAL OF EXISTING STRUCTURES NO. 2	EACH	1			1
50100500	REMOVAL OF EXISTING STRUCTURES NO. 3	EACH	1	1		
50100600	REMOVAL OF EXISTING STRUCTURES NO. 4	EACH	1	1		
50104650	SLOPE WALL REMOVAL	SO YD	1477	1477		
50105220	PIPE CULVERT REMOVAL	FOOT	2975	1498	1477	
50157300	PROTECTIVE SHIELD	SQ YD	1710			1710
50200100	STRUCTURE EXCAVATION	CU YD	630			630
50200450	REMOVAL AND DISPOSAL OF UNSUITABLE MATERIAL FOR STRUCTURES	CU YD	1763	1442	321	
50300225	CONCRETE STRUCTURES	CU YD	318.2			318.2

SUMMARY OF QUANTITIES			TOTAL QUANTITIES	CONSTRUCTION TYPE CODE		
CODE NO	ITEM	UNIT		URBAN 90% FEDERAL 10% STATE I-57 0004	URBAN 80% FEDERAL 20% STATE IL 16 0004	URBAN 90% FEDERAL 10% STATE I-57 0010
50300255	CONCRETE SUPERSTRUCTURE	CU YD	659			659
50300300	PROTECTIVE COAT	SQ YD	2688			2688
50301350	CONCRETE SUPERSTRUCTURE (APPROACH SLAB)	CU YD	238.4			238.4
50500105	FURNISHING AND ERECTING STRUCTURAL STEEL	L SUM	1			1
50500505	STUD SHEAR CONNECTORS	EACH	11556			11556
50800105	REINFORCEMENT BARS	POUND	179503	179503		
50800205	REINFORCEMENT BARS, EPOXY COATED	POUND	306760			306760
50800530	MECHANICAL SPLICERS	EACH	120			120
50901720	BICYCLE RAILING	FOOT	179	179		
51100100	SLOPE WALL 4 INCH	SQ YD	1336			1336
51200959	FURNISHING METAL SHELL PILES 14" X 0.312"	FOOT	3609			3609
51202305	DRIVING PILES	FOOT	3609			3609
51203200	TEST PILE METAL SHELLS	EACH	6			6
51500100	NAME PLATES	EACH	3	1		2

* SPECIALTY ITEM

REV - MS

MODEL: SOQ_3 [Sheet]
FILE NAME: c:\p\work\hrtz\hrtz\kld0852852\0774435-sheets-SOQ.dgn

USER NAME = kaleb.hirtzel	DESIGNED -	REVISED -
	DRAWN -	REVISED -
	CHECKED -	REVISED -
PLOT DATE = 7/16/2025	DATE -	REVISED -

STATE OF ILLINOIS
DEPARTMENT OF TRANSPORTATION

SUMMARY OF QUANTITIES

SCALE: SHEET 4 OF 15 SHEETS STA. TO STA.

F.A.I. RTE.	SECTION	COUNTY	TOTAL SHEETS	SHEET NO.
57	(15-22HB-4)BR (15-22)R	COLES	1086	6
CONTRACT NO. 74435				
ILLINOIS FED. AID PROJECT				

SUMMARY OF QUANTITIES			TOTAL QUANTITIES	CONSTRUCTION TYPE CODE		
CODE NO	ITEM	UNIT		URBAN 90% FEDERAL 10% STATE I-57 0004	URBAN 80% FEDERAL 20% STATE IL 16 0004	URBAN 90% FEDERAL 10% STATE I-57 0010
52100010	ELASTOMERIC BEARING ASSEMBLY, TYPE I	EACH	12		12	
52100520	ANCHOR BOLTS, 1"	EACH	48		48	
52100540	ANCHOR BOLTS, 1 1/2"	EACH	24			
52200020	TEMPORARY SOIL RETENTION SYSTEM	SO FT	1049	1049		
54001001	BOX CULVERT END SECTIONS, CULVERT NO. 1	EACH	2	2	24	
54001002	BOX CULVERT END SECTIONS, CULVERT NO. 2	EACH	2	2		
54001003	BOX CULVERT END SECTIONS, CULVERT NO. 3	EACH	2	2		
54002020	EXPANSION BOLTS 3/4 INCH	EACH	56	56		
54003000	CONCRETE BOX CULVERTS	CU YD	951.5	951.5		
54010803	PRECAST CONCRETE BOX CULVERTS 8' X 3'	FOOT	21	21		
54010804	PRECAST CONCRETE BOX CULVERTS 8' X 4'	FOOT	24	24		
54210189	PIPE ELBOW, 24"	EACH	2	2		
54213660	PRECAST REINFORCED CONCRETE FLARED END SECTIONS 15"	EACH	2	1	1	

SUMMARY OF QUANTITIES			TOTAL QUANTITIES	CONSTRUCTION TYPE CODE		
CODE NO	ITEM	UNIT		URBAN 90% FEDERAL 10% STATE I-57 0004	URBAN 80% FEDERAL 20% STATE IL 16 0004	URBAN 90% FEDERAL 10% STATE I-57 0010
54213663	PRECAST REINFORCED CONCRETE FLARED END SECTIONS 18"	EACH	2	2		
54213669	PRECAST REINFORCED CONCRETE FLARED END SECTIONS 24"	EACH	1	1		
54213675	PRECAST REINFORCED CONCRETE FLARED END SECTIONS 30"	EACH	10	8	2	
54213681	PRECAST REINFORCED CONCRETE FLARED END SECTIONS 36"	EACH	4	1	3	
54214500	PRECAST REINFORCED CONCRETE FLARED END SECTIONS, EQUIVALENT ROUND-SIZE 15"	EACH	8	4	4	
54214527	PRECAST REINFORCED CONCRETE FLARED END SECTIONS, EQUIVALENT ROUND-SIZE 42"	EACH	4		4	
54215424	CAST-IN-PLACE REINFORCED CONCRETE END SECTIONS 24"	EACH	1	1		
54216185	REINFORCED CONCRETE PIPE TEE, 15" PIPE WITH 12" RISER	EACH	1	1		
54216555	REINFORCED CONCRETE PIPE TEE, 15" PIPE WITH 15" RISER	EACH	11	2	9	

* SPECIALTY ITEM

REV - MS

MODEL: SOQ_4 [Sheet]
FILE NAME: c:\p\work\pwr\hrtz\hrtz\kld0852852\077435-sheets-SOQ.dgn

USER NAME = kaleb.hirtzel	DESIGNED -	REVISED -
	DRAWN -	REVISED -
	CHECKED -	REVISED -
PLOT DATE = 8/19/2024	DATE -	REVISED -

STATE OF ILLINOIS
DEPARTMENT OF TRANSPORTATION

SUMMARY OF QUANTITIES

SCALE: SHEET 5 OF 15 SHEETS STA. TO STA.

F A I RTE.	SECTION	COUNTY	TOTAL SHEETS	SHEET NO.
57	(15-22HB-4)BR (15-22)R	COLES	1086	7
CONTRACT NO. 74435				
ILLINOIS FED. AID PROJECT				

SUMMARY OF QUANTITIES			TOTAL QUANTITIES	CONSTRUCTION TYPE CODE		
CODE NO	ITEM	UNIT		URBAN 90% FEDERAL 10% STATE I-57 0004	URBAN 80% FEDERAL 20% STATE IL 16 0004	URBAN 90% FEDERAL 10% STATE I-57 0010
5421D015	PIPE CULVERTS, CLASS D, TYPE 1 15" (TEMPORARY)	FOOT	241	241		
5421D018	PIPE CULVERTS, CLASS D, TYPE 1 18" (TEMPORARY)	FOOT	92	92		
5421D036	PIPE CULVERTS, CLASS D, TYPE 1 36" (TEMPORARY)	FOOT	125	125		
5422D015	PIPE CULVERTS, CLASS D, TYPE 2 15" (TEMPORARY)	FOOT	184	184		
5422D024	PIPE CULVERTS, CLASS D, TYPE 2 24" (TEMPORARY)	FOOT	55	55		
54244805	INLET BOX, STANDARD 542501	EACH	3	1	2	
54248510	CONCRETE COLLAR	CU YD	2.5	2.4	0.1	
54260315	TRAVERSABLE PIPE GRATE FOR CONCRETE END SECTION	FOOT	34		34	
542A0229	PIPE CULVERTS, CLASS A, TYPE 1 24"	FOOT	3	3		
542A1069	PIPE CULVERTS, CLASS A, TYPE 2 24"	FOOT	128	128		
542A1075	PIPE CULVERTS, CLASS A, TYPE 2 30"	FOOT	63	63		

SUMMARY OF QUANTITIES			TOTAL QUANTITIES	CONSTRUCTION TYPE CODE		
CODE NO	ITEM	UNIT		URBAN 90% FEDERAL 10% STATE I-57 0004	URBAN 80% FEDERAL 20% STATE IL 16 0004	URBAN 90% FEDERAL 10% STATE I-57 0010
542A1081	PIPE CULVERTS, CLASS A, TYPE 2 36"	FOOT	22	22		
542A5470	PIPE CULVERTS, CLASS A, TYPE 1 EQUIVALENT ROUND-SIZE 15"	FOOT	2220	1114	1106	
542A8227	PIPE CULVERTS, CLASS A, TYPE 2 EQUIVALENT ROUND-SIZE 42"	FOOT	141		141	
542JA036	PIPE CULVERTS, CLASS A 36" (JACKED)	FOOT	300	300		
550A0070	STORM SEWERS, CLASS A, TYPE 1 15"	FOOT	20		20	
550A0160	STORM SEWERS, CLASS A, TYPE 1 36"	FOOT	121		121	
550A0340	STORM SEWERS, CLASS A, TYPE 2 12"	FOOT	264	212	52	
550A0360	STORM SEWERS, CLASS A, TYPE 2 15"	FOOT	3302	890	2412	
550A0380	STORM SEWERS, CLASS A, TYPE 2 18"	FOOT	389	105	284	
550A0430	STORM SEWERS, CLASS A, TYPE 2 30"	FOOT	439	439		
550A0450	STORM SEWERS, CLASS A, TYPE 2 36"	FOOT	164		164	
55100500	STORM SEWER REMOVAL 12"	FOOT	124		124	
55100700	STORM SEWER REMOVAL 15"	FOOT	33		33	

* SPECIALTY ITEM

REV - MS

MODEL: SQ05 (Sheet)
FILE NAME: c:\p\work\hrtzel\hrtzel\062852\077435-sheets-SQ05.dgn

USER NAME = kaleb.hirtzel	DESIGNED -	REVISED -
	DRAWN -	REVISED -
	CHECKED -	REVISED -
PLOT DATE = 8/19/2024	DATE -	REVISED -

STATE OF ILLINOIS
DEPARTMENT OF TRANSPORTATION

SUMMARY OF QUANTITIES

SCALE: SHEET 6 OF 15 SHEETS STA. TO STA.

F A I RTE.	SECTION	COUNTY	TOTAL SHEETS	SHEET NO.
57	(15-22HB-4)BR (15-22)R	COLES	1086	8
ILLINOIS FED. AID PROJECT			CONTRACT NO. 74435	

SUMMARY OF QUANTITIES			TOTAL QUANTITIES	CONSTRUCTION TYPE CODE		
CODE NO	ITEM	UNIT		URBAN 90% FEDERAL 10% STATE I-57 0004	URBAN 80% FEDERAL 20% STATE IL 16 0004	URBAN 90% FEDERAL 10% STATE I-57 0010
55101400	STORM SEWER REMOVAL 30"	FOOT	196		196	
55101600	STORM SEWER REMOVAL 36"	FOOT	6		6	
58600101	GRANULAR BACKFILL FOR STRUCTURES	CU YD	340			340
58700300	CONCRETE SEALER	SQ FT	2470			2470
59100100	GEOCOMPOSITE WALL DRAIN	SQ YD	1973	1433	364	176
59300100	CONTROLLED LOW-STRENGTH MATERIAL	CU YD	133	133		
60100070	SHOULDER REMOVAL AND REPLACEMENT	FOOT	17777	17777		
60108200	PIPE UNDERDRAINS 6" (SPECIAL)	FOOT	1978	1978		
60146304	PIPE UNDERDRAINS FOR STRUCTURES 4"	FOOT	320			320
60146306	PIPE UNDERDRAINS FOR STRUCTURES 6"	FOOT	700	700		
60218300	MANHOLES, TYPE A, 4'-DIAMETER, TYPE 1 FRAME, OPEN LID	EACH	1	1		
60218400	MANHOLES, TYPE A, 4'-DIAMETER, TYPE 1 FRAME, CLOSED LID	EACH	20	9	11	

SUMMARY OF QUANTITIES			TOTAL QUANTITIES	CONSTRUCTION TYPE CODE		
CODE NO	ITEM	UNIT		URBAN 90% FEDERAL 10% STATE I-57 0004	URBAN 80% FEDERAL 20% STATE IL 16 0004	URBAN 90% FEDERAL 10% STATE I-57 0010
60221100	MANHOLES, TYPE A, 5'-DIAMETER, TYPE 1 FRAME, CLOSED LID	EACH	5	2	3	
60221200	MANHOLES, TYPE A, 5'-DIAMETER, TYPE 3 FRAME AND GRATE	EACH	1	1		
60221300	MANHOLES, TYPE A, 5'-DIAMETER, TYPE 4 FRAME AND GRATE	EACH	1	1		
60223800	MANHOLES, TYPE A, 6'-DIAMETER, TYPE 1 FRAME, CLOSED LID	EACH	1	1		
60224445	MANHOLES, TYPE A, 7'-DIAMETER, TYPE 1 FRAME, OPEN LID	EACH	4	2	2	
60224459	MANHOLES, TYPE A, 8'-DIAMETER, TYPE 1 FRAME, CLOSED LID	EACH	1		1	
60234200	INLETS, TYPE A, TYPE 1 FRAME, OPEN LID	EACH	1	1		
60235700	INLETS, TYPE A, TYPE 3 FRAME AND GRATE	EACH	19	4	15	
60235800	INLETS, TYPE A, TYPE 4 FRAME AND GRATE	EACH	13	2	11	
60236200	INLETS, TYPE A, TYPE 8 GRATE	EACH	11	4	7	
60238305	INLETS, TYPE A, WITH MEDIAN INLET (604101)	EACH	2		2	

* SPECIALTY ITEM

REV - MS

MODEL: SQ06 (Sheet)
FILE NAME: c:\p\work\hrtz\hrtz\kld0652852\0774435-sheets-SQ06.dgn

USER NAME = kaleb.hirtzel	DESIGNED -	REVISED -
	DRAWN -	REVISED -
	CHECKED -	REVISED -
PLOT DATE = 8/19/2024	DATE -	REVISED -

STATE OF ILLINOIS
DEPARTMENT OF TRANSPORTATION

SUMMARY OF QUANTITIES

SCALE: SHEET 7 OF 15 SHEETS STA. TO STA.

F.A.I. RTE.	SECTION	COUNTY	TOTAL SHEETS	SHEET NO.
57	(15-22HB-4)BR (15-22)R	COLES	1086	9
CONTRACT NO. 74435				
ILLINOIS FED. AID PROJECT				

SUMMARY OF QUANTITIES			TOTAL QUANTITIES	CONSTRUCTION TYPE CODE		
CODE NO	ITEM	UNIT		URBAN 90% FEDERAL 10% STATE I-57 0004	URBAN 80% FEDERAL 20% STATE IL 16 0004	URBAN 90% FEDERAL 10% STATE I-57 0010
60240220	INLETS, TYPE B, TYPE 3 FRAME AND GRATE	EACH	9	5	4	
60240225	INLETS, TYPE B, TYPE 4 FRAME AND GRATE	EACH	7	3	4	
60500040	REMOVING MANHOLES	EACH	3		3	
60500050	REMOVING CATCH BASINS	EACH	3		3	
60500060	REMOVING INLETS	EACH	4		4	
60600605	CONCRETE CURB, TYPE B	FOOT	696		696	
60605000	COMBINATION CONCRETE CURB AND GUTTER, TYPE B-6.24	FOOT	7211	1253	5958	
60618300	CONCRETE MEDIAN SURFACE, 4 INCH	SQ FT	1648		1648	
* 63000001	STEEL PLATE BEAM GUARDRAIL, TYPE A, 6 FOOT POSTS	FOOT	6825	6150	675	
* 63000035	BACK SIDE PROTECTION OF GUARDRAIL	FOOT	149		149	
* 63100045	TRAFFIC BARRIER TERMINAL, TYPE 2	EACH	11	5	6	
* 63100085	TRAFFIC BARRIER TERMINAL, TYPE 6	EACH	14	12	2	

SUMMARY OF QUANTITIES			TOTAL QUANTITIES	CONSTRUCTION TYPE CODE		
CODE NO	ITEM	UNIT		URBAN 90% FEDERAL 10% STATE I-57 0004	URBAN 80% FEDERAL 20% STATE IL 16 0004	URBAN 90% FEDERAL 10% STATE I-57 0010
63100167	TRAFFIC BARRIER TERMINAL, TYPE 1 (SPECIAL) TANGENT	EACH	18	10	8	
63200310	GUARDRAIL REMOVAL	FOOT	14750	13229	1521	
63400105	GUARD POSTS	EACH	51	51		
63700280	CONCRETE BARRIER, DOUBLE FACE, 44 INCH HEIGHT	FOOT	58		58	
63800920	MODULAR GLARE SCREEN SYSTEM, TEMPORARY	FOOT	29863	26063	3800	
64200108	SHOULDER RUMBLE STRIPS, 8 INCH	FOOT	17471	6001	11470	
64200116	SHOULDER RUMBLE STRIPS, 16 INCH	FOOT	26480	26480		
66500105	WOVEN WIRE FENCE, 4'	FOOT	3343	2828	515	
66600105	FURNISHING AND ERECTING RIGHT OF WAY MARKERS	EACH	19	9	10	
66700305	PERMANENT SURVEY MARKERS, TYPE II	EACH	2	2		
* 66900200	NON-SPECIAL WASTE DISPOSAL	CU YD	11250	11250		
* 66900530	SOIL DISPOSAL ANALYSIS	EACH	2	2		
* 66901001	REGULATED SUBSTANCES PRE-CONSTRUCTION PLAN	L SUM	1	1		

* SPECIALTY ITEM

REV - MS

MODEL: SOQ_7 [Sheet]
FILE NAME: c:\p\work\hrtz\hrtz\kld0652852\077435-sheets-SOQ.dgn

USER NAME = kaleb.hirtzel	DESIGNED -	REVISED -
	DRAWN -	REVISED -
	CHECKED -	REVISED -
PLOT DATE = 8/19/2024	DATE -	REVISED -

STATE OF ILLINOIS
DEPARTMENT OF TRANSPORTATION

SUMMARY OF QUANTITIES

SCALE: SHEET 8 OF 15 SHEETS STA. TO STA.

F A I RTE.	SECTION	COUNTY	TOTAL SHEETS	SHEET NO.
57	(15-22HB-4)BR (15-22)R	COLES	1086	10
CONTRACT NO. 74435				
ILLINOIS FED. AID PROJECT				

SUMMARY OF QUANTITIES			TOTAL QUANTITIES	CONSTRUCTION TYPE CODE		
CODE NO	ITEM	UNIT		URBAN 90% FEDERAL 10% STATE I-57 0004	URBAN 80% FEDERAL 20% STATE IL 16 0004	URBAN 90% FEDERAL 10% STATE I-57 0010
* 66901003	REGULATED SUBSTANCES FINAL CONSTRUCTION REPORT	L SUM	1	1		
* 66901006	REGULATED SUBSTANCES MONITORING	CAL DA	58	58		
67000400	ENGINEER'S FIELD OFFICE, TYPE A	CAL MO	48	32	16	
67100100	MOBILIZATION	L SUM	1	0.67	0.33	
70100205	TRAFFIC CONTROL AND PROTECTION, STANDARD 701401	EACH	5	5		
70100207	TRAFFIC CONTROL AND PROTECTION, STANDARD 701402	EACH	2	2		
70100310	TRAFFIC CONTROL AND PROTECTION, STANDARD 701421	L SUM	1		1	
70100315	TRAFFIC CONTROL AND PROTECTION, STANDARD 701422	EACH	11		11	
70100325	TRAFFIC CONTROL AND PROTECTION, STANDARD 701423	EACH	3		3	
70100420	TRAFFIC CONTROL AND PROTECTION, STANDARD 701411	EACH	4	4		

SUMMARY OF QUANTITIES			TOTAL QUANTITIES	CONSTRUCTION TYPE CODE		
CODE NO	ITEM	UNIT		URBAN 90% FEDERAL 10% STATE I-57 0004	URBAN 80% FEDERAL 20% STATE IL 16 0004	URBAN 90% FEDERAL 10% STATE I-57 0010
70100700	TRAFFIC CONTROL AND PROTECTION, STANDARD 701406	L SUM	1	1		
70100820	TRAFFIC CONTROL AND PROTECTION, STANDARD 701451	L SUM	1	1		
70100825	TRAFFIC CONTROL AND PROTECTION, STANDARD 701456	L SUM	1	1		
70102642	TRAFFIC CONTROL AND PROTECTION, STANDARD 701801	EACH	2	1	1	
70103815	TRAFFIC CONTROL SURVEILLANCE	CAL DA	90	60	30	
70107005	PAVEMENT MARKING BLACKOUT TAPE, 5"	FOOT	5505	977	4528	
70107007	PAVEMENT MARKING BLACKOUT TAPE, 7"	FOOT	1178	1178		
70107025	CHANGEABLE MESSAGE SIGN	CAL DA	234	206	28	
70300100	SHORT TERM PAVEMENT MARKING	FOOT	2118	998	1120	
70300150	SHORT TERM PAVEMENT MARKING REMOVAL	SQ FT	12087	5345	6742	
70300211	TEMPORARY PAVEMENT MARKING LETTERS AND SYMBOLS - PAINT	SQ FT	1723	459	1264	

* SPECIALTY ITEM

REV - MS

MODEL: SOQ_8 [Sheet]
FILE NAME: c:\p\work\pav\hrtz\hrtz\kld0852852\0774435-sheets-SOQ.dgn

USER NAME = kaleb.hirtzel	DESIGNED -	REVISED -
	DRAWN -	REVISED -
	CHECKED -	REVISED -
PLOT DATE = 8/19/2024	DATE -	REVISED -

STATE OF ILLINOIS
DEPARTMENT OF TRANSPORTATION

SUMMARY OF QUANTITIES

SCALE: SHEET 9 OF 15 SHEETS STA. TO STA.

F A I RTE.	SECTION	COUNTY	TOTAL SHEETS	SHEET NO.
57	(15-22HB-4)BR (15-22)R	COLES	1086	11
CONTRACT NO. 74435				
ILLINOIS FED. AID PROJECT				

SUMMARY OF QUANTITIES			TOTAL QUANTITIES	CONSTRUCTION TYPE CODE		
CODE NO	ITEM	UNIT		URBAN 90% FEDERAL 10% STATE I-57 0004	URBAN 80% FEDERAL 20% STATE IL 16 0004	URBAN 90% FEDERAL 10% STATE I-57 0010
70300241	TEMPORARY PAVEMENT MARKING - LINE 6"- PAINT	FOOT	130472	109156	21316	
70300251	TEMPORARY PAVEMENT MARKING - LINE 8"- PAINT	FOOT	15978	12872	3106	
70300261	TEMPORARY PAVEMENT MARKING - LINE 12"- PAINT	FOOT	896	258	638	
70307100	TEMPORARY PAVEMENT MARKING LETTERS AND SYMBOLS - TYPE IV TAPE	SO FT	1172	268	904	
70307130	TEMPORARY PAVEMENT MARKING - LINE 6" - TYPE IV TAPE	FOOT	12478	5764	6714	
70307210	TEMPORARY PAVEMENT MARKING - LINE 24"- TYPE IV TAPE	FOOT	495	147	348	
70400100	TEMPORARY CONCRETE BARRIER	FOOT	32537.5	27175	5362.5	
70400125	PINNING TEMPORARY CONCRETE BARRIER	EACH	93	21	72	
70400200	RELOCATE TEMPORARY CONCRETE BARRIER	FOOT	5312.5	812.5	4500	
70500100	TEMPORARY STEEL PLATE BEAM GUARDRAIL, TYPE A	FOOT	1149	1074	75	
70500615	TEMPORARY TRAFFIC BARRIER TERMINAL, TYPE 1	EACH	7	6	1	
70500625	TEMPORARY TRAFFIC BARRIER TERMINAL, TYPE 2	EACH	2	1	1	

SUMMARY OF QUANTITIES			TOTAL QUANTITIES	CONSTRUCTION TYPE CODE		
CODE NO	ITEM	UNIT		URBAN 90% FEDERAL 10% STATE I-57 0004	URBAN 80% FEDERAL 20% STATE IL 16 0004	URBAN 90% FEDERAL 10% STATE I-57 0010
70500665	TEMPORARY TRAFFIC BARRIER TERMINAL, TYPE 6	EACH	6	6		
70600260	IMPACT ATTENUATORS, TEMPORARY (FULLY REDIRECTIVE, NARROW), TEST LEVEL 3	EACH	10	4	6	
70600332	IMPACT ATTENUATORS, RELOCATE (FULLY REDIRECTIVE, NARROW), TEST LEVEL 3	EACH	5	2	3	
* 72000100	SIGN PANEL - TYPE 1	SO FT	1315	645	670	
* 72000200	SIGN PANEL - TYPE 2	SO FT	820	388	432	
* 72000300	SIGN PANEL - TYPE 3	SO FT	5487	4692	795	
* 72400100	REMOVE SIGN PANEL ASSEMBLY - TYPE A	EACH	1		1	
* 72400200	REMOVE SIGN PANEL ASSEMBLY - TYPE B	EACH	21	10	11	
* 72400310	REMOVE SIGN PANEL - TYPE 1	SO FT	943	868	75	
* 72400320	REMOVE SIGN PANEL - TYPE 2	SO FT	692	392	300	
* 72400330	REMOVE SIGN PANEL - TYPE 3	SO FT	4223	3778	445	
* 72501000	TERMINAL MARKER - DIRECT APPLIED	EACH	25	15	10	
* 72600100	MILE POST MARKER ASSEMBLY	EACH	2	2		

* SPECIALTY ITEM

REV - MS

MODEL: SOQ_9 [Sheet]
FILE NAME: c:\p\work\hartzel\hartzel\0652852\0774435-sheets-SOQ.dgn

USER NAME = kaleb.hirtzel	DESIGNED -	REVISED -
	DRAWN -	REVISED -
	CHECKED -	REVISED -
PLOT DATE = 8/19/2024	DATE -	REVISED -

STATE OF ILLINOIS
DEPARTMENT OF TRANSPORTATION

SUMMARY OF QUANTITIES

SCALE: SHEET 10 OF 15 SHEETS STA. TO STA.

F A I RTE.	SECTION	COUNTY	TOTAL SHEETS	SHEET NO.
57	(15-22HB-4)BR (15-22)R	COLES	1086	12
CONTRACT NO. 74435				
ILLINOIS FED. AID PROJECT				

SUMMARY OF QUANTITIES			TOTAL QUANTITIES	CONSTRUCTION TYPE CODE		
CODE NO	ITEM	UNIT		URBAN 90% FEDERAL 10% STATE I-57 0004	URBAN 80% FEDERAL 20% STATE IL 16 0004	URBAN 90% FEDERAL 10% STATE I-57 0010
* 72700100	STRUCTURAL STEEL SIGN SUPPORT - BREAKAWAY	POUND	38375	35576	2799	
* 72800100	TELESCOPING STEEL SIGN SUPPORT	FOOT	155	80	75	
* 73000100	WOOD SIGN SUPPORT	FOOT	2000	927	1073	
* 73300100	OVERHEAD SIGN STRUCTURE - SPAN, TYPE I-A (4'-0" X 4'-6")	FOOT	120		120	
* 73400100	CONCRETE FOUNDATIONS	CU YD	81	75	6	
* 73400200	DRILLED SHAFT CONCRETE FOUNDATIONS	CU YD	23.4		23.4	
73600100	REMOVE OVERHEAD SIGN STRUCTURE - SPAN	EACH	4	2	2	
73600200	REMOVE OVERHEAD SIGN STRUCTURE - CANTILEVER	EACH	2	2		
73602000	REMOVE OVERHEAD SIGN STRUCTURE - BRIDGE MOUNTED	EACH	1		1	
73700100	REMOVE GROUND MOUNTED SIGN SUPPORT	EACH	30	27	3	
73700200	REMOVE CONCRETE FOUNDATION - GROUND MOUNT	EACH	67	61	6	
73700300	REMOVE CONCRETE FOUNDATION - OVERHEAD	EACH	18	10	8	

SUMMARY OF QUANTITIES			TOTAL QUANTITIES	CONSTRUCTION TYPE CODE		
CODE NO	ITEM	UNIT		URBAN 90% FEDERAL 10% STATE I-57 0004	URBAN 80% FEDERAL 20% STATE IL 16 0004	URBAN 90% FEDERAL 10% STATE I-57 0010
* 78004230	PREFORMED PLASTIC PAVEMENT MARKING, TYPE B - INLAID - LINE 6"	FOOT	4005	4005		
* 78009000	MODIFIED URETHANE PAVEMENT MARKING - LETTERS AND SYMBOLS	SQ FT	1616	487	1129	
* 78009006	MODIFIED URETHANE PAVEMENT MARKING - LINE 6"	FOOT	63179	41646	21533	
* 78009008	MODIFIED URETHANE PAVEMENT MARKING - LINE 8"	FOOT	7811	4834	2977	
* 78009012	MODIFIED URETHANE PAVEMENT MARKING - LINE 12"	FOOT	1045	538	507	
* 78011000	GROOVING FOR RECESSED PAVEMENT MARKING, LETTERS AND SYMBOLS	SQ FT	1560	487	1073	
* 78011035	GROOVING FOR RECESSED PAVEMENT MARKING 7"	FOOT	67184	45651	21533	
* 78011045	GROOVING FOR RECESSED PAVEMENT MARKING 9"	FOOT	7811	4834	2977	
* 78011065	GROOVING FOR RECESSED PAVEMENT MARKING 13"	FOOT	1025	538	487	
* 78100100	RAISED REFLECTIVE PAVEMENT MARKER	EACH	478	381	97	
* 78200005	GUARDRAIL REFLECTORS, TYPE A	EACH	162	126	36	
78300200	RAISED REFLECTIVE PAVEMENT MARKER REMOVAL	EACH	521	381	140	

* SPECIALTY ITEM

REV - MS

MODEL: SOQ_10 (Sheet)
FILE NAME: c:\pwworking\hrtz\hrtz\ktd0852852\0774435-sheets-SOQ.dgn

USER NAME = kaleb.hirtzel	DESIGNED -	REVISED -
	DRAWN -	REVISED -
	CHECKED -	REVISED -
PLOT DATE = 8/19/2024	DATE -	REVISED -

STATE OF ILLINOIS
DEPARTMENT OF TRANSPORTATION

SUMMARY OF QUANTITIES

SCALE: SHEET 11 OF 15 SHEETS STA. TO STA.

F A I RTE.	SECTION	COUNTY	TOTAL SHEETS	SHEET NO.
57	(15-22HB-4)BR (15-22)R	COLES	1086	13
CONTRACT NO. 74435				
ILLINOIS FED. AID PROJECT				

SUMMARY OF QUANTITIES			TOTAL QUANTITIES	CONSTRUCTION TYPE CODE		
CODE NO	ITEM	UNIT		URBAN 90% FEDERAL 10% STATE I-57 0004	URBAN 80% FEDERAL 20% STATE IL 16 0004	URBAN 90% FEDERAL 10% STATE I-57 0010
78300202	PAVEMENT MARKING REMOVAL - WATER BLASTING	SQ FT	3979	3439	540	
* 80400100	ELECTRIC SERVICE INSTALLATION	EACH	2	2		
* 81028340	UNDERGROUND CONDUIT, PVC, 1 1/2" DIA.	FOOT	83	83		
* 81028350	UNDERGROUND CONDUIT, PVC, 2" DIA.	FOOT	1450	1450		
* 81028750	UNDERGROUND CONDUIT, COILABLE NONMETALLIC CONDUIT, 2" DIA.	FOOT	780	780		
* 81100300	CONDUIT ATTACHED TO STRUCTURE, 1" DIA., GALVANIZED STEEL	FOOT	52	52		
* 81100454	CONDUIT ATTACHED TO STRUCTURE, 1" DIA., STAINLESS STEEL	FOOT	245	245		
* 81200210	CONDUIT EMBEDDED IN STRUCTURE, 1" DIA., PVC	FOOT	20	20		
* 81300420	JUNCTION BOX, STAINLESS STEEL, ATTACHED TO STRUCTURE, 10" X 8" X 6"	EACH	2	2		
* 81603034	UNIT DUCT, 600V, 2-1C NO.6, 1/C NO.6 GROUND, (XLP-TYPE USE), 3/4" DIA. POLYETHYLENE	FOOT	14236	14236		
* 81603096	UNIT DUCT, 600V, 4-1C NO.8, 1/C NO.8 GROUND, (XLP-TYPE USE), 1 1/4" DIA. POLYETHYLENE	FOOT	75	75		

SUMMARY OF QUANTITIES			TOTAL QUANTITIES	CONSTRUCTION TYPE CODE		
CODE NO	ITEM	UNIT		URBAN 90% FEDERAL 10% STATE I-57 0004	URBAN 80% FEDERAL 20% STATE IL 16 0004	URBAN 90% FEDERAL 10% STATE I-57 0010
* 81702120	ELECTRIC CABLE IN CONDUIT, 600V (XLP-TYPE USE) 1/C NO. 8	FOOT	1265	1265		
* 81702130	ELECTRIC CABLE IN CONDUIT, 600V (XLP-TYPE USE) 1/C NO. 6	FOOT	2400	2400		
* 82110008	LUMINAIRE, LED, ROADWAY, OUTPUT DESIGNATION H	EACH	48	48		
* 82110022	LUMINAIRE, LED, UNDERPASS, WALLMOUNT, OUTPUT DESIGNATION E	EACH	9	9		
* 82500300	LIGHTING CONTROLLER, POLE MOUNTED, 240VOLT, 30AMP	EACH	1	1		
* 82500330	LIGHTING CONTROLLER, PEDESTAL MOUNTED, 240VOLT, 60AMP	EACH	1	1		
* 83003600	LIGHT POLE, ALUMINUM, 45 FT. M.H., 15 FT. DAVIT ARM	EACH	48	48		
* 83060840	LIGHT POLE, GALVANIZED STEEL, 50 FT. M.H., TENON MOUNT	EACH	1	1		
* 83600356	LIGHT POLE FOUNDATION, METAL, 15" BOLT CIRCLE, 8 5/8" X 6'	EACH	48	48		

* SPECIALTY ITEM

REV - MS

MODEL: SOQ-11 (Sheet)
FILE NAME: c:\pwworking\hrtzalkid0852857\0774435-sheets-SOQ.dgn

USER NAME = kaleb.hirtzel	DESIGNED -	REVISED -
	DRAWN -	REVISED -
	CHECKED -	REVISED -
PLOT DATE = 8/19/2024	DATE -	REVISED -

STATE OF ILLINOIS
DEPARTMENT OF TRANSPORTATION

SUMMARY OF QUANTITIES

SCALE: SHEET 12 OF 15 SHEETS STA. TO STA.

FAI RTE.	SECTION	COUNTY	TOTAL SHEETS	SHEET NO.
57	(15-22HB-4)BR (15-22)R	COLES	1086	14
CONTRACT NO. 74435				
ILLINOIS FED. AID PROJECT				

SUMMARY OF QUANTITIES			TOTAL QUANTITIES	CONSTRUCTION TYPE CODE		
CODE NO	ITEM	UNIT		URBAN 90% FEDERAL 10% STATE I-57 0004	URBAN 80% FEDERAL 20% STATE IL 16 0004	URBAN 90% FEDERAL 10% STATE I-57 0010
* 83600358	LIGHT POLE FOUNDATION, METAL, 15" BOLT CIRCLE, 8 5/8" X 8'	EACH	1	1		
* 83800650	BREAKAWAY DEVICE, COUPLING WITH STAINLESS STEEL SCREEN	EACH	192	192		
84100110	REMOVAL OF TEMPORARY LIGHTING UNIT	EACH	5	5		
84200605	REMOVAL OF LIGHTING TOWER, NO SALVAGE	EACH	2	2		
84500110	REMOVAL OF LIGHTING CONTROLLER	EACH	1	1		
84500120	REMOVAL OF ELECTRIC SERVICE INSTALLATION	EACH	1	1		
84500130	REMOVAL OF LIGHTING CONTROLLER FOUNDATION	EACH	1	1		
* 87301225	ELECTRIC CABLE IN CONDUIT, SIGNAL NO. 14 3C	FOOT	145	145		
* 87301900	ELECTRIC CABLE IN CONDUIT, EQUIPMENT GROUNDING CONDUCTOR, NO. 6 1C	FOOT	145	145		
* 87601100	PEDESTRIAN PUSH-BUTTON POST, GALVANIZED STEEL, TYPE I	EACH	4	4	2	
89000100	TEMPORARY TRAFFIC SIGNAL INSTALLATION	EACH	2			
89502300	REMOVE ELECTRIC CABLE FROM CONDUIT	FOOT	22080	22080		

SUMMARY OF QUANTITIES			TOTAL QUANTITIES	CONSTRUCTION TYPE CODE		
CODE NO	ITEM	UNIT		URBAN 90% FEDERAL 10% STATE I-57 0004	URBAN 80% FEDERAL 20% STATE IL 16 0004	URBAN 90% FEDERAL 10% STATE I-57 0010
X0322278	RODENT SHIELDS	EACH	79	79		
* X0324597	CLOSED CIRCUIT TELEVISION CABINET	EACH	1	1		
* X0326812	CAT 5 ETHERNET CABLE	FOOT	40	40		
* X0326905	CLOSED CIRCUIT TELEVISION DOME CAMERA, IP BASED	EACH	1	1		
X0327613	REMOVE EXISTING WEATHER STATION	L SUM	1	1		
X1200107	PIPE UNDERDRAINS 6" (MODIFIED)	FOOT	34439	34439		
* X1400326	RECTANGULAR RAPID FLASHING BEACON ASSEMBLY (COMPLETE)	EACH	4	4		
X2600002	RECOVERABLE DELINEATORS	EACH	62	62		
X4200469	STAMPED COLORED PORTLAND CEMENT CONCRETE PAVEMENT 9" (JOINTED)	SQ YD	1601		1601	
X4400102	SURFACE REMOVAL, VARIABLE DEPTH (SPECIAL)	SQ YD	244		244	
X4401198	HOT-MIX ASPHALT SURFACE REMOVAL, VARIABLE DEPTH	SQ YD	33654	33654		
X5010205	REMOVAL OF EXISTING STRUCTURE (SPECIAL)	EACH	1	1		

* SPECIALTY ITEM

REV - MS

MODEL: SOQ_12 (Sheet)
FILE NAME: c:\pwworking\hrtz\hrtz\0652852\0774435-sheets-SOQ.dgn

USER NAME = kaleb.hirtzel	DESIGNED -	REVISED -
	DRAWN -	REVISED -
	CHECKED -	REVISED -
PLOT DATE = 7/16/2025	DATE -	REVISED -

STATE OF ILLINOIS
DEPARTMENT OF TRANSPORTATION

SUMMARY OF QUANTITIES

SCALE: SHEET 13 OF 15 SHEETS STA. TO STA.

FAI RTE.	SECTION	COUNTY	TOTAL SHEETS	SHEET NO.
57	(15-22HB-4)BR (15-22)R	COLES	1086	15
CONTRACT NO. 74435				
ILLINOIS FED. AID PROJECT				

SUMMARY OF QUANTITIES			TOTAL QUANTITIES	CONSTRUCTION TYPE CODE		
CODE NO	ITEM	UNIT		URBAN 90% FEDERAL 10% STATE I-57 0004	URBAN 80% FEDERAL 20% STATE IL 16 0004	URBAN 90% FEDERAL 10% STATE I-57 0010
X5012650	CONCRETE HEADWALL REMOVAL (SPECIAL)	EACH	57	57		
X5030250	BRIDGE DECK GROOVING (LONGITUDINAL)	SQ YD	1504		1504	
X5041800	CONCRETE ANCHORS	EACH	2	2		
X5400804	PRECAST CONCRETE BOX CULVERT 8'X4' SP	FOOT	260		260	
X5810103	MEMBRANE WATERPROOFING SYSTEM FOR BURIED STRUCTURES	SQ YD	833.5	469.5	364	
X6010003	PIPE DRAIN REMOVAL	FOOT	938	938		
X6010106	PIPE UNDERDRAIN OUTLET EXTENSION FOR 6" PIPE	EACH	8	8		
X6013700	PIPE UNDERDRAIN REMOVAL (SPECIAL)	FOOT	121	121		
X6050700	REMOVE INLET BOX	EACH	13	13		
X6050702	MEDIAN INLET BOX REMOVAL	EACH	3	1	2	
X6060095	CLASS SI CONCRETE (MISCELLANEOUS)	CU YD	118 .5	118 .5		
X6060097	CLASS SI CONCRETE (OUTLET), SPECIAL	CU YD	10 .4	5.6	4.8	
X6061702	CONCRETE MEDIAN, TYPE SM (DOWELLED)	SQ FT	4191	4191		

SUMMARY OF QUANTITIES			TOTAL QUANTITIES	CONSTRUCTION TYPE CODE		
CODE NO	ITEM	UNIT		URBAN 90% FEDERAL 10% STATE I-57 0004	URBAN 80% FEDERAL 20% STATE IL 16 0004	URBAN 90% FEDERAL 10% STATE I-57 0010
X6061815	COMBINATION CONCRETE CURB AND GUTTER, TYPE M (SPECIAL)	FOOT	1899	994	905	
X6062206	STAMPED COLORED PORTLAND CEMENT CONCRETE MEDIAN SURFACE 6 INCH	SQ FT	128		128	
X6065760	CONCRETE MEDIAN SURFACE, 8"	SQ FT	5879	5879		
X6340205	GUARD POSTS REMOVAL	EACH	35		35	
X6650202	WOVEN WIRE FENCE REMOVAL	FOOT	3198	2610	588	
X7010035	TRAFFIC CONTROL AND PROTECTION, STANDARD 701423 (SPECIAL)	EACH	1		1	
X7010118	TEMPORARY RUMBLE STRIPS (SPECIAL)	EACH	64	64		
X7010218	TRAFFIC CONTROL AND PROTECTION, (SPECIAL)	EACH	5	2	3	
X7011854	REAL-TIME TRAFFIC CONTROL CENTRAL BASE UNIT	CAL MO	52	52		
X7011860	REAL-TIME TRAFFIC CONTROL WARNING SIGN	CAL MO	208	208		
X7011862	REAL-TIME TRAFFIC MONITORING SENSOR UNIT	CAL MO	416	416		
X7200203	DETOUR SIGNING	L SUM	1	0.67	0.33	

* SPECIALTY ITEM

REV - MS

MODEL: SOQ_13 (Sheet)
FILE NAME: c:\pwworking\hartzel\hartzel\062852\0774435-sheets-SOQ.dgn

USER NAME = kaleb.hirtzel	DESIGNED -	REVISED -
	DRAWN -	REVISED -
	CHECKED -	REVISED -
PLOT DATE = 7/16/2025	DATE -	REVISED -

STATE OF ILLINOIS
DEPARTMENT OF TRANSPORTATION

SUMMARY OF QUANTITIES

SCALE: SHEET 14 OF 15 SHEETS STA. TO STA.

F A I RTE.	SECTION	COUNTY	TOTAL SHEETS	SHEET NO.
57	(15-22HB-4)BR (15-22)R	COLES	1086	16
CONTRACT NO. 74435				
ILLINOIS FED. AID PROJECT				

SUMMARY OF QUANTITIES			TOTAL QUANTITIES	CONSTRUCTION TYPE CODE		
CODE NO	ITEM	UNIT		URBAN 90% FEDERAL 10% STATE I-57 0004	URBAN 80% FEDERAL 20% STATE IL 16 0004	URBAN 90% FEDERAL 10% STATE I-57 0010
X7800700	PREFORMED THERMOPLASTIC PAVEMENT MARKING SHIELD	EACH	2		2	
X7810400	TEMPORARY RAISED PAVEMENT MARKER	EACH	644	344	300	
X8420506	REMOVAL OF EXISTING SIGN LIGHTING UNIT WITH NO SALVAGE	EACH	19	19		
X8420510	REMOVAL OF TOWER FOUNDATION	EACH	6	6		
* X8710029	FIBER OPTIC CABLE 24 FIBERS, SINGLE MODE	FOOT	1640	1640		
* X8710302	FIBER OPTIC CABLE SPLICE	EACH	1	1		
* X8710318	FIBER OPTIC UTILITY MARKER	EACH	1	1		
Z0004552	APPROACH SLAB REMOVAL	SO YD	1568	1568		
Z0013798	CONSTRUCTION LAYOUT	L SUM	1	0.5	0.5	
Z0016001	DECK SLAB REPAIR (FULL DEPTH, TYPE I)	SO YD	20		20	
Z0016002	DECK SLAB REPAIR (FULL DEPTH, TYPE II)	SO YD	20		20	
Z0016200	DECK SLAB REPAIR (PARTIAL)	SO YD	110		110	
Z0029090	DIAMOND GRINDING (BRIDGE SECTION)	SO YD	3616		3616	

SUMMARY OF QUANTITIES			TOTAL QUANTITIES	CONSTRUCTION TYPE CODE		
CODE NO	ITEM	UNIT		URBAN 90% FEDERAL 10% STATE I-57 0004	URBAN 80% FEDERAL 20% STATE IL 16 0004	URBAN 90% FEDERAL 10% STATE I-57 0010
* Z0033052	COMMUNICATIONS VAULT	EACH	1	1		
Z0049799	PROTECTING OR RESETTING SURVEY MARKERS	EACH	4		4	
* Z0054505	ROCK FILL - REPLACEMENT	TON	1094	929	165	
Z0065752	SLOTTED DRAIN 12" WITH 6" SLOT	FOOT	256	256		
Z0076600	TRAINEES	HOUR	1500	1500		
Z0076604	TRAINEES TRAINING PROGRAM GRADUATE	HOUR	1500	1500		

* SPECIALTY ITEM

Ø 0042

REV - MS

MODEL: SOQ14 (Sheet)
FILE NAME: c:\pwworking\dwg\14\14435-sheets-SOQ.dgn

USER NAME = kaleb.hirtzel	DESIGNED -	REVISED -
	DRAWN -	REVISED -
	CHECKED -	REVISED -
PLOT DATE = 8/12/2025	DATE -	REVISED -

STATE OF ILLINOIS
DEPARTMENT OF TRANSPORTATION

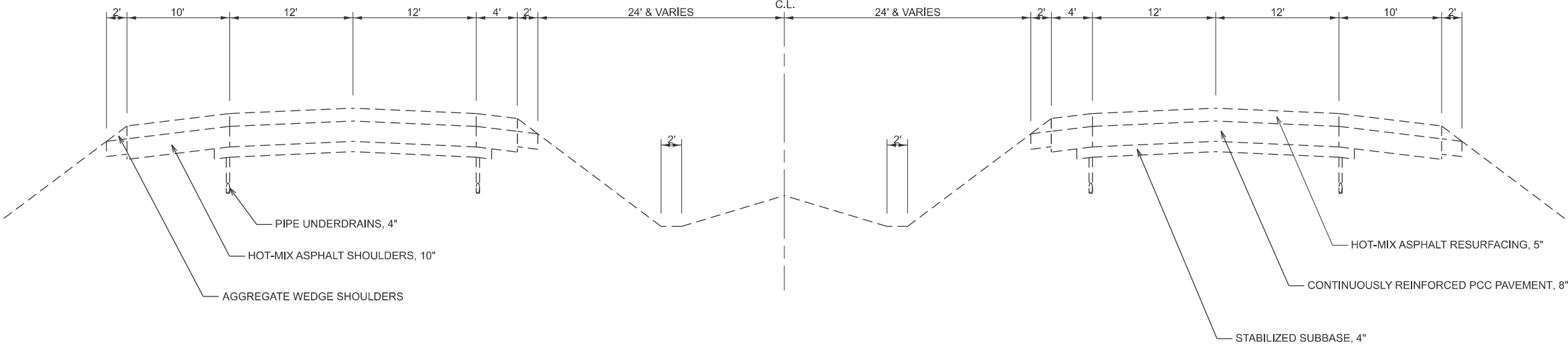
SUMMARY OF QUANTITIES

SCALE: SHEET 15 OF 15 SHEETS STA. TO STA.

F A I RTE.	SECTION	COUNTY	TOTAL SHEETS	SHEET NO.
57	(15-22HB-4)BR (15-22)R	COLES	1086	17
CONTRACT NO. 74435				
ILLINOIS FED. AID PROJECT				

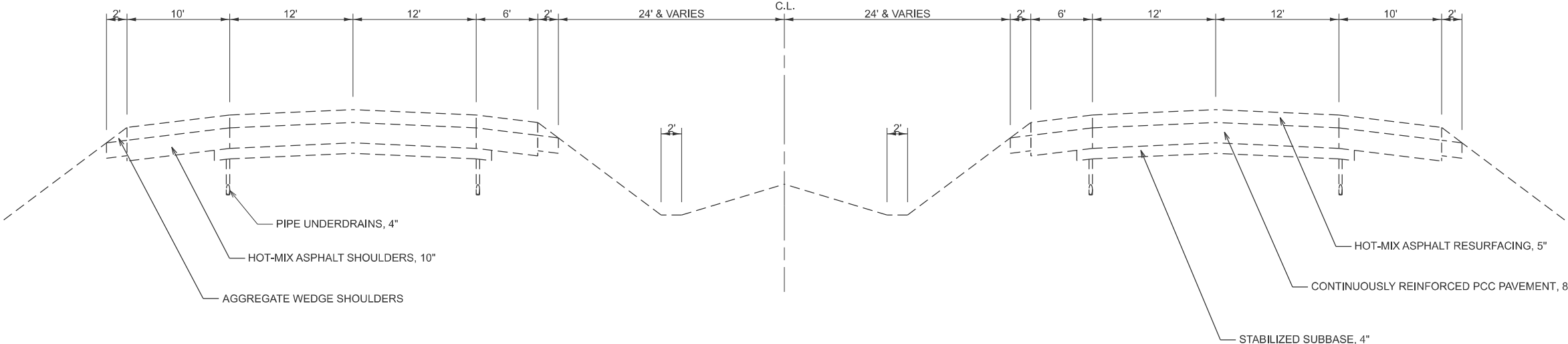
I-57 EXISTING TYPICAL CROSS SECTION

<u>SOUTHBOUND</u>	<u>NORTHBOUND</u>
STA. 760+60 - STA. 801+74.5	STA. 760+60 - STA. 801+80.5
STA. 820+20 - STA. 839+40	STA. 820+24 - STA. 833+60.5
	STA. 839+12 - STA. 840+69



I-57 EXISTING TYPICAL CROSS SECTION

<u>SOUTHBOUND</u>	<u>NORTHBOUND</u>
STA. 801+74.5 - STA. 820+20	STA. 801+80.5 - STA. 820+24



MODEL: Existing Typical Sections (Sheet)
FILE NAME: c:\p\work\p\hrtz\hrtz\082852\074435-sheets-TypicalSections.dgn

USER NAME = kaleb.hirtzel	DESIGNED -	REVISED -
	DRAWN -	REVISED -
PLOT SCALE = \$SCALE\$	CHECKED -	REVISED -
PLOT DATE = 8/16/2024	DATE -	REVISED -

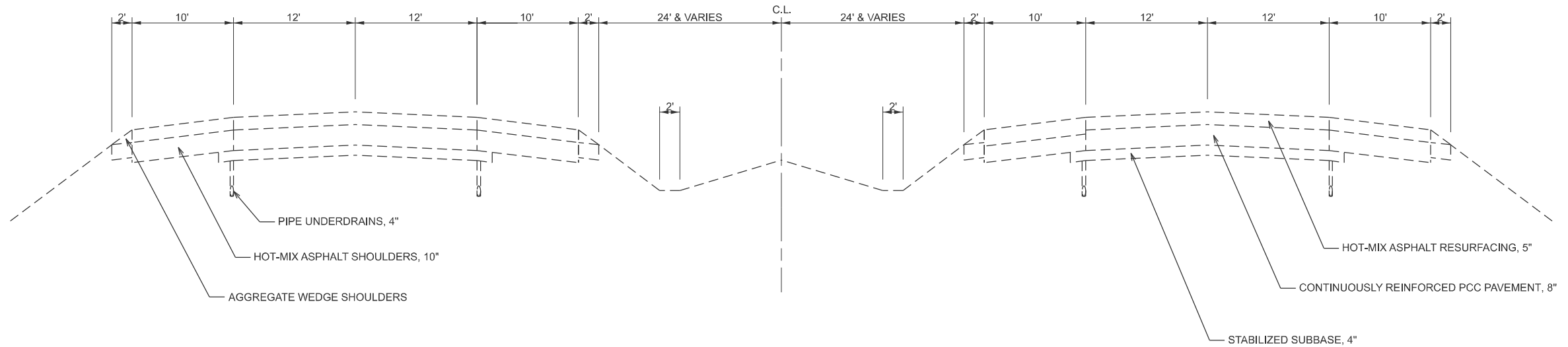
**STATE OF ILLINOIS
DEPARTMENT OF TRANSPORTATION**

EXISTING TYPICAL SECTIONS				
SCALE: 1"=50'	SHEET 1	OF 3	SHEETS	STA. TO STA.

F.A.I RTE.	SECTION	COUNTY	TOTAL SHEETS	SHEET NO.
57	(15-22HB-4)BR (15-22)R	COLES	1086	18
CONTRACT NO. 74435				
ILLINOIS FED. AID PROJECT				

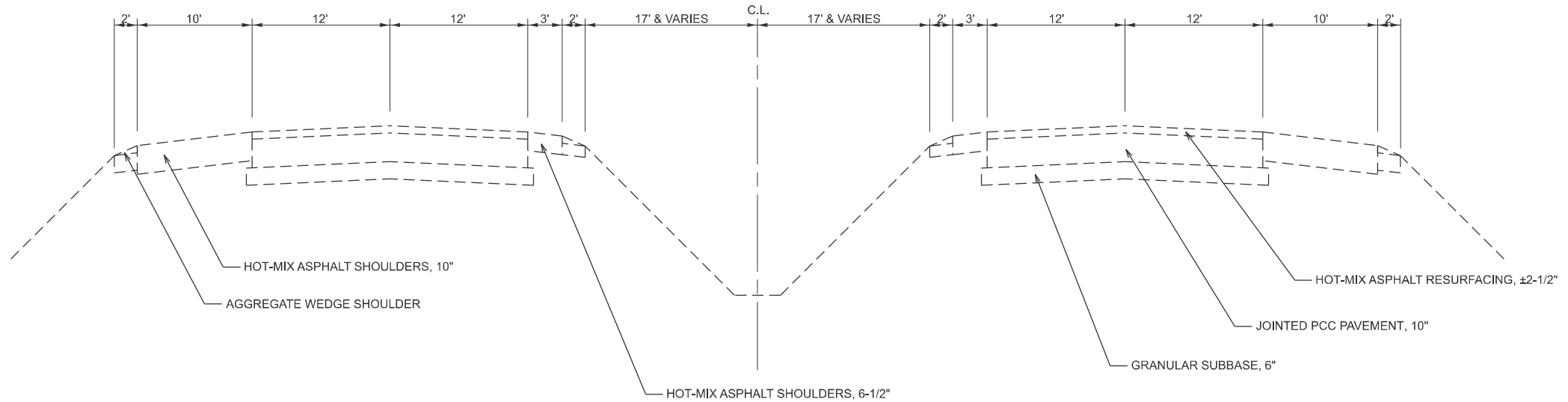
I-57 EXISTING TYPICAL CROSS SECTION

SOUTHBOUND NORTHBOUND
 STA. 839+40 - STA. 840+69 STA. 833+60.5 - STA. 839+12



IL 16 EXISTING TYPICAL CROSS SECTION

WESTBOUND EASTBOUND
 STA. 93+65 - STA. 128+61.97 STA. 93+65 - STA. 128+61.97
 STA. 128+61.97 BK = STA. 128+00 AH STA. 128+61.97 BK = STA. 128+00 AH
 STA. 128+00 - STA. 147+95 STA. 128+00 - STA. 147+95



MODEL: Existing Typical=1 [Sheet]
 FILE NAME: c:\p\work\hrtz\hrtz\kld0852852\074435-sheets-TypicalSections.dgn

USER NAME = kaleb.hirtzel	DESIGNED -	REVISED -	
	DRAWN -	REVISED -	
PLOT SCALE = \$SCALE\$	CHECKED -	REVISED -	
PLOT DATE = 8/19/2024	DATE -	REVISED -	

**STATE OF ILLINOIS
DEPARTMENT OF TRANSPORTATION**

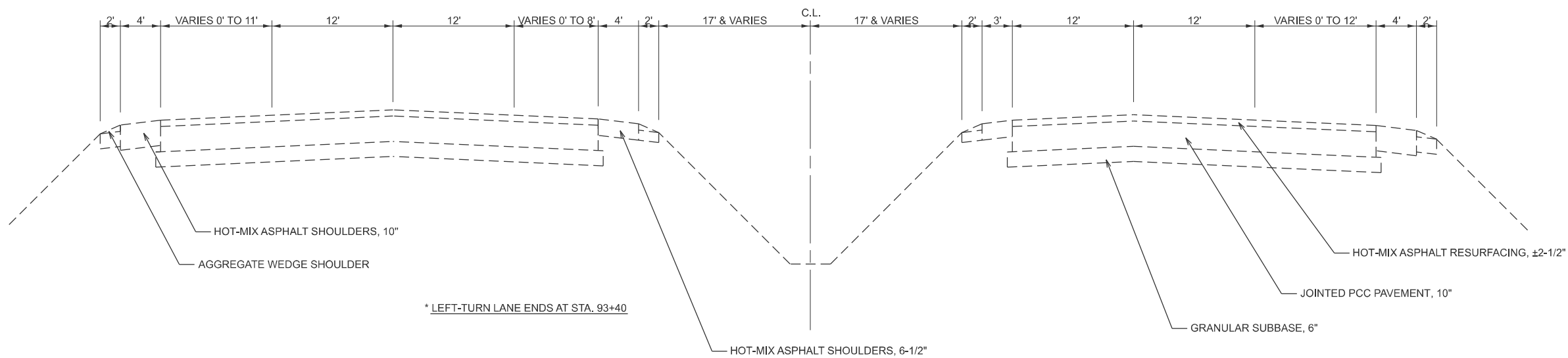
EXISTING TYPICAL SECTIONS

SCALE: 1"=50' SHEET 2 OF 3 SHEETS STA. TO STA.

F.A.I RTE.	SECTION	COUNTY	TOTAL SHEETS	SHEET NO.
57	(15-22HB-4)BR (15-22)R	COLES	1086	19
CONTRACT NO. 74435				
ILLINOIS FED. AID PROJECT				

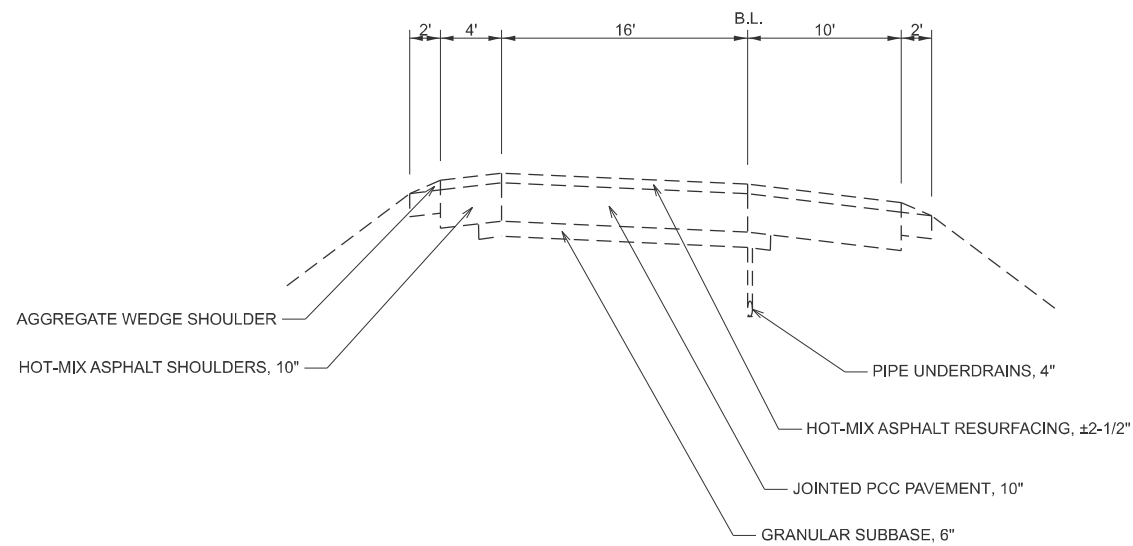
IL 16 EXISTING TYPICAL CROSS SECTION

WESTBOUND
STA. 91+75 - STA. 93+65*
EASTBOUND
STA. 139+82.1 - STA. 144+17.3



INTERCHANGE RAMP EXISTING TYPICAL CROSS SECTION

EXISTING RAMPS A, B, C, D, E, F, G & H



MODEL: Existing Typical=2 (Sheet)
 FILE NAME: c:\p\work\hrtz\hrtz\kud0852852\074435-sheets-TypicalSections.dgn

USER NAME = kaleb.hirtzel	DESIGNED -	REVISED -
	DRAWN -	REVISED -
PLOT SCALE = \$SCALE\$	CHECKED -	REVISED -
PLOT DATE = 8/19/2024	DATE -	REVISED -

**STATE OF ILLINOIS
DEPARTMENT OF TRANSPORTATION**

EXISTING TYPICAL SECTIONS

SCALE: 1"=50' SHEET 3 OF 3 SHEETS STA. TO STA.

F.A.I. RTE.	SECTION	COUNTY	TOTAL SHEETS	SHEET NO.
57	(15-22HB-4)BR (15-22)R	COLES	1086	20
CONTRACT NO. 74435				
ILLINOIS FED. AID PROJECT				

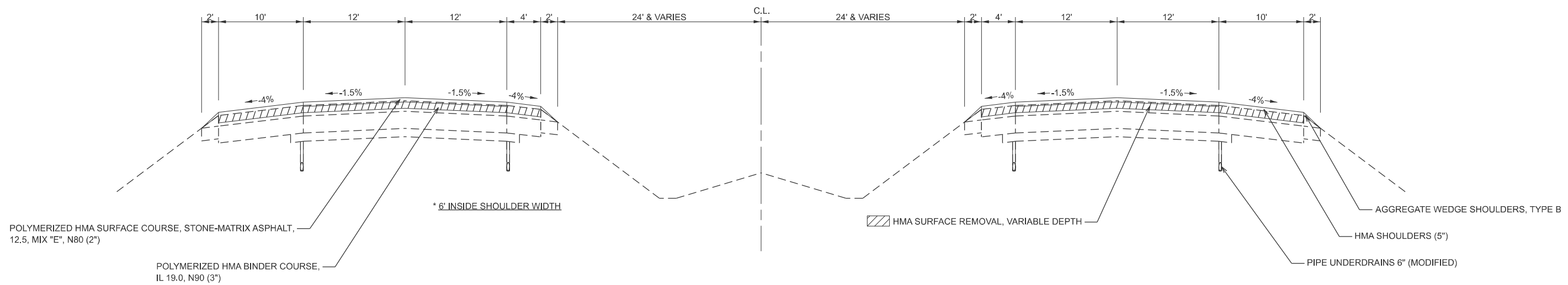
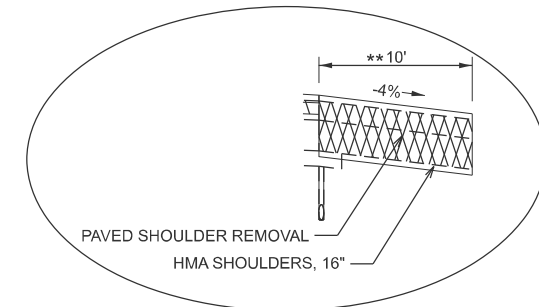
① I-57 PROPOSED TYPICAL CROSS SECTION

SOUTHBOUND

STA. 760+60 - STA. 779+35.9 ③
 ⑧ STA. 802+85 - STA. 805+64* ⑨

NORTHBOUND

STA. 760+60 - STA. 778+17.86
 STA. 778+17.86 - STA. 778+48.3** ②
 ② STA. 798+90.4 - STA. 800+74.1 ⑥
 ⑨ STA. 810+53.6 - STA. 813+79.64
 STA. 813+79.64 - STA. 815+88.05 ⑩ (BRIDGE OMISSION)



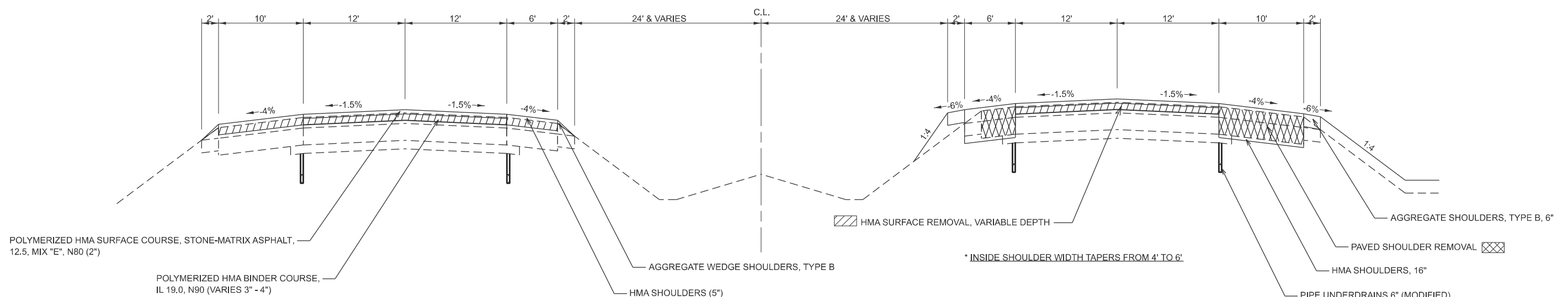
② I-57 PROPOSED TYPICAL CROSS SECTION

SOUTHBOUND

⑨ STA. 810+96 - STA. 812+39.46 ⑩

NORTHBOUND

① STA. 778+48.3 - STA. 779+28.3* ③
 ③ STA. 798+52.77 - STA. 798+90.4 ①



MODEL: Proposed Typicals (Sheet)
 FILE NAME: c:\p\work\wv\hrtz\hrtz\15-22\15-22-typical\sections.dgn

USER NAME = kaleb.hirtzel	DESIGNED -	REVISED -
PLOT SCALE = \$SSCALE\$	DRAWN -	REVISED -
PLOT DATE = 8/19/2024	CHECKED -	REVISED -
	DATE -	REVISED -

**STATE OF ILLINOIS
 DEPARTMENT OF TRANSPORTATION**

PROPOSED TYPICAL SECTIONS

SCALE: 1"=50' SHEET 1 OF 12 SHEETS STA. TO STA.

F.A.I R.T.E.	SECTION	COUNTY	TOTAL SHEETS	SHEET NO.
57	(15-22HB-4)BR (15-22)R	COLES	1086	21
CONTRACT NO. 74435				
ILLINOIS FED. AID PROJECT				

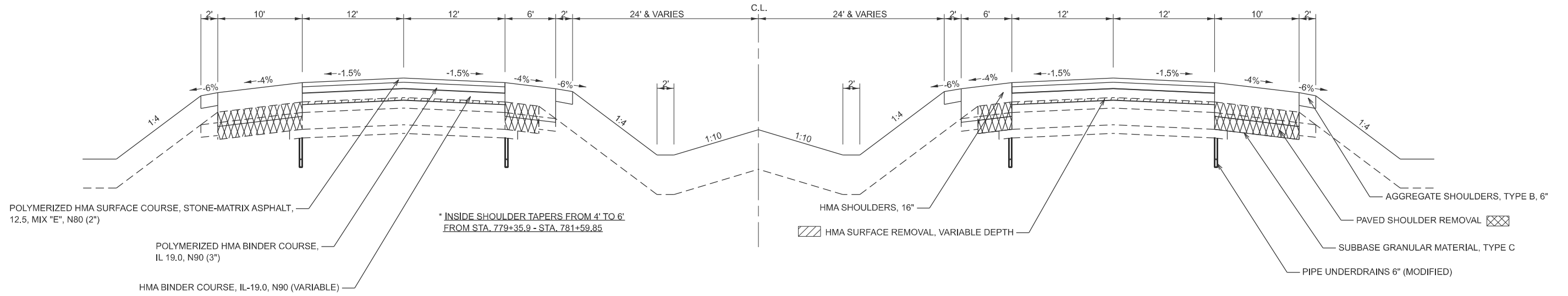
③ I-57 PROPOSED TYPICAL CROSS SECTION

SOUTHBOUND

NORTHBOUND

① STA. 779+35.9 - STA. 781+59.85* ④
 ④ STA. 795+57.47 - STA. 799+41.48 ⑥

② STA. 779+28.3 - STA. 781+35 ④
 ④ STA. 795+68 - STA. 798+52.77 ②



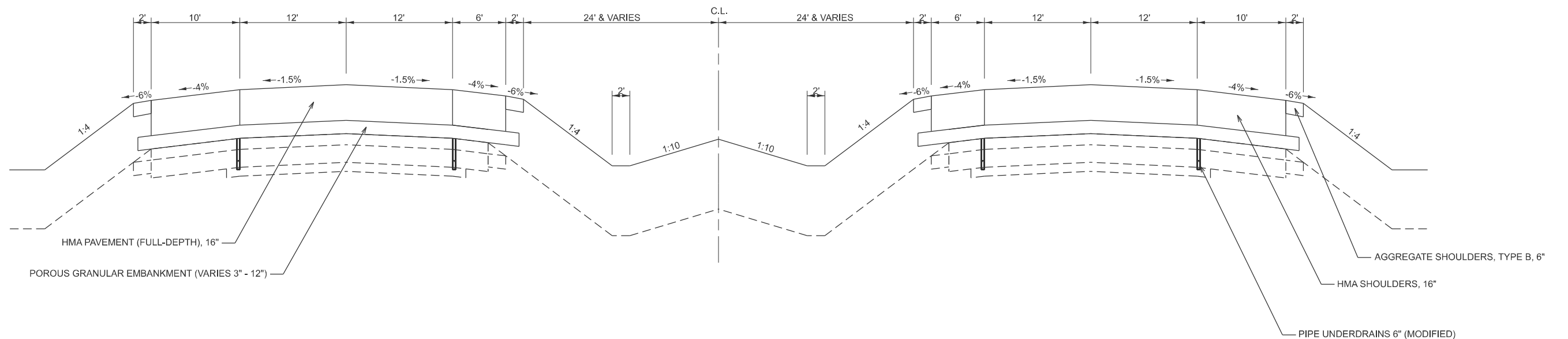
④ I-57 PROPOSED TYPICAL CROSS SECTION

SOUTHBOUND

NORTHBOUND

③ STA. 781+59.85 - STA. 782+67.06 ⑤
 ⑤ STA. 793+98 - STA. 795+57.47 ③

③ STA. 781+35 - STA. 782+43 ⑤
 ⑤ STA. 794+22.3 - STA. 795+68 ③



MODEL: Proposed Typical-4 (Sheet)
 FILE NAME: c:\pwworking\hartzel\10852852\0774435-sheets-TypicalSections.dgn

USER NAME = kaleb.hirtzel	DESIGNED -	REVISED -
	DRAWN -	REVISED -
PLOT SCALE = \$SCALE\$	CHECKED -	REVISED -
PLOT DATE = 8/19/2024	DATE -	REVISED -

STATE OF ILLINOIS
 DEPARTMENT OF TRANSPORTATION

PROPOSED TYPICAL SECTIONS

SCALE: 1"=50' SHEET 2 OF 12 SHEETS STA. TO STA.

F.A.I RTE.	SECTION	COUNTY	TOTAL SHEETS	SHEET NO.
57	(15-22HB-4)BR (15-22)R	COLES	1086	22
CONTRACT NO. 74435				
ILLINOIS FED. AID PROJECT				

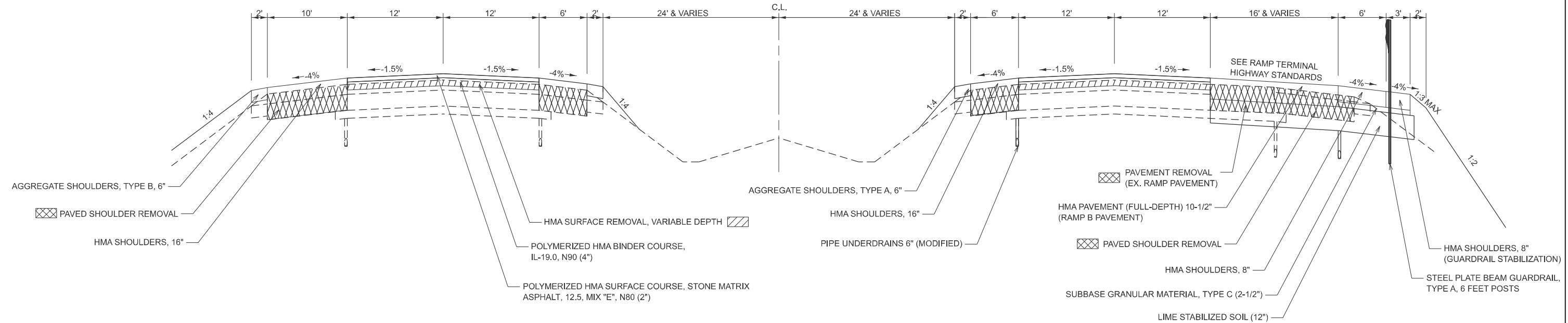
7 I-57 PROPOSED TYPICAL CROSS SECTION

SOUTHBOUND

NORTHBOUND

⑥ STA. 801+28.9 - STA. 801+75.29 ⑧

⑥ STA. 801+36 - STA. 801+80.5 ⑧



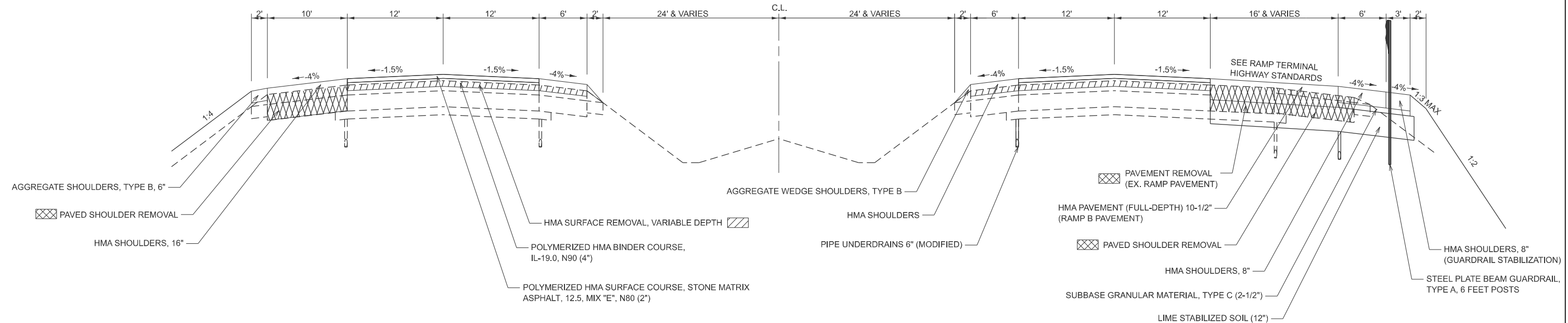
8 I-57 PROPOSED TYPICAL CROSS SECTION

SOUTHBOUND

NORTHBOUND

⑦ STA. 801+72.29 - STA. 802+85 ①

⑦ STA. 801+80.5 - STA. 803+87.7 ⑨



MODEL: Proposed Typical-3 (Sheet)
FILE NAME: c:\pwworking\hartzel\id0852852\0774435-sheets-TypicalSections.dgn

USER NAME = kaleb.hirtzel	DESIGNED -	REVISED -
	DRAWN -	REVISED -
PLOT SCALE = \$SCALES\$	CHECKED -	REVISED -
PLOT DATE = 8/19/2024	DATE -	REVISED -

**STATE OF ILLINOIS
DEPARTMENT OF TRANSPORTATION**

PROPOSED TYPICAL SECTIONS

SCALE: 1"=50' SHEET 4 OF 12 SHEETS STA. TO STA.

F.A.I RTE.	SECTION	COUNTY	TOTAL SHEETS	SHEET NO.
57	(15-22HB-4)BR (15-22)R	COLES	1086	24
CONTRACT NO. 74435				
ILLINOIS FED. AID PROJECT				

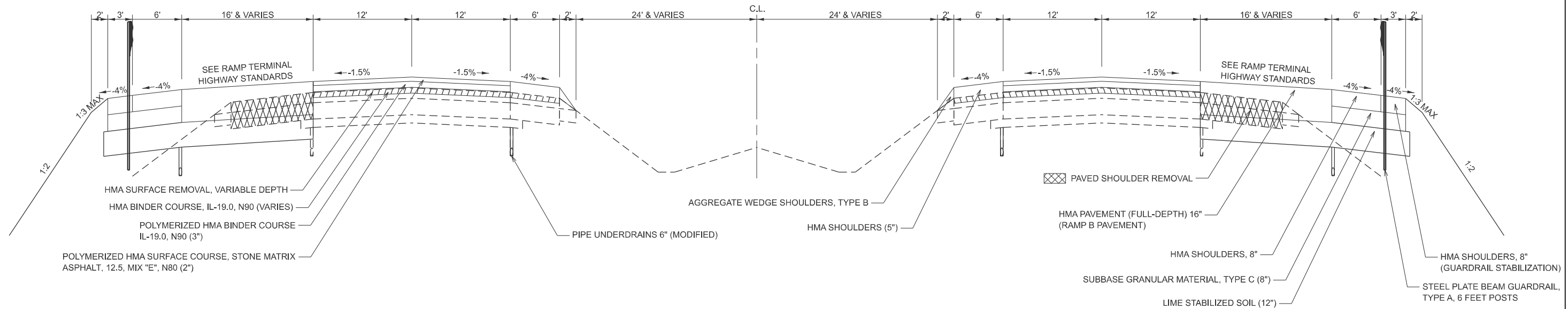
9 I-57 PROPOSED TYPICAL CROSS SECTION

SOUTHBOUND

NORTHBOUND

① STA. 805+64 - STA. 807+06
⑤
⑨ STA. 809+42 - STA. 810+96 ②

⑧ STA. 803+87.7 - STA. 807+17 ⑤
⑤ STA. 809+53 - STA. 810+53.6 ①



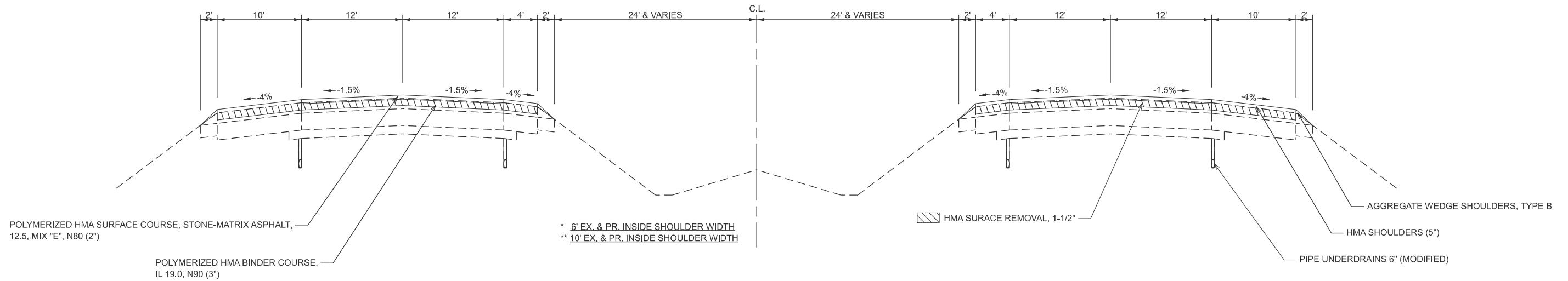
10 I-57 PROPOSED TYPICAL CROSS SECTION

SOUTHBOUND

NORTHBOUND

② STA. 812+39.46 - STA. 813+79.46*
(BRIDGE OMISSION) STA. 813+79.46 - STA. 815+87.97
STA. 815+87.97 - STA. 820+20*
STA. 820+20 - STA. 839+40
STA. 839+40 - STA. 840+69**

① STA. 815+88.05 - STA. 820+24.4*
STA. 820+24.4 - STA. 833+60.5
STA. 833+60.5 - STA. 839+12**
STA. 839+12 - STA. 840+69



* 6' EX. & PR. INSIDE SHOULDER WIDTH
** 10' EX. & PR. INSIDE SHOULDER WIDTH

MODEL: Proposed Typical-4 (Sheet)
FILE NAME: c:\p\work\1522852\1522852\1522852\1522852\TypicalSections.dgn

USER NAME = kaleb.hirtzel	DESIGNED -	REVISED -
	DRAWN -	REVISED -
PLOT SCALE = \$SCALE\$	CHECKED -	REVISED -
PLOT DATE = 8/19/2024	DATE -	REVISED -

**STATE OF ILLINOIS
DEPARTMENT OF TRANSPORTATION**

PROPOSED TYPICAL SECTIONS

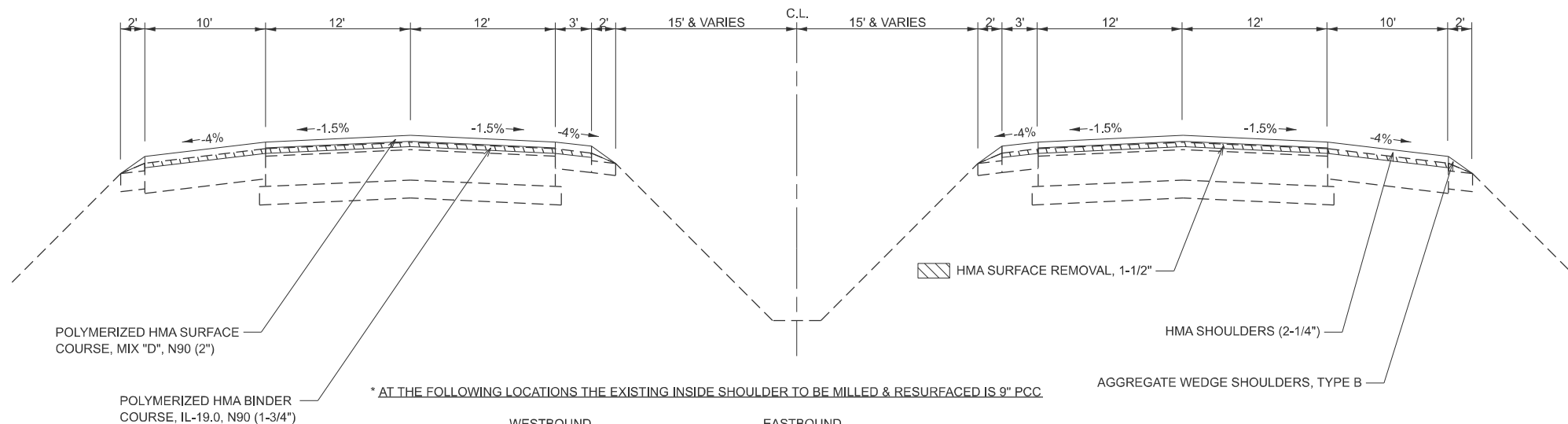
SCALE: 1"=50' SHEET 5 OF 12 SHEETS STA. TO STA.

F.A.I. RTE.	SECTION	COUNTY	TOTAL SHEETS	SHEET NO.
57	(15-22HB-4)BR (15-22)R	COLES	1086	25
CONTRACT NO. 74435				
ILLINOIS FED. AID PROJECT				

11 IL 16 PROPOSED TYPICAL CROSS SECTION

WESTBOUND
 STA. 93+65 - STA. 94+46.5* ⑬
 ⑬ STA. 132+82.4 - STA. 137+75*

EASTBOUND
 STA. 91+75 - STA. 95+96* ⑬
 ⑬ STA. 99+64 - STA. 102+06* ⑭
 ⑬ STA. 135+93.5 - STA. 139+82.1* ⑫



* AT THE FOLLOWING LOCATIONS THE EXISTING INSIDE SHOULDER TO BE MILLED & RESURFACED IS 9" PCC.

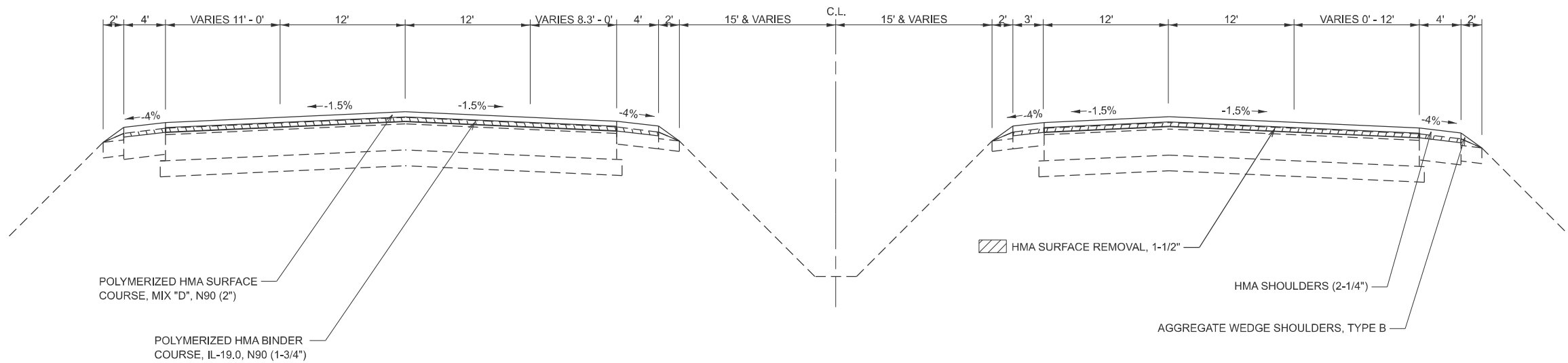
WESTBOUND
 STA. 94+00 - STA. 94+46.5
 STA. 132+82.9 - STA. 137+75

EASTBOUND
 STA. 94+00 - STA. 95+96
 STA. 99+64 - STA. 102+00
 STA. 135+93.5 - STA. 137+75

12 IL 16 PROPOSED TYPICAL CROSS SECTION

WESTBOUND
 STA. 91+75 - STA. 93+65 ⑪

EASTBOUND
 ⑪ STA. 139+82.1 - STA. 144+17.3



MODEL: Proposed Typical-5 (Sheet)
 FILE NAME: c:\pwworking\hartzel\10852852\174435-sheets-TypicalSections.dgn

USER NAME = kaleb.hirtzel	DESIGNED -	REVISED -
	DRAWN -	REVISED -
PLOT SCALE = \$SCALE\$	CHECKED -	REVISED -
PLOT DATE = 8/19/2024	DATE -	REVISED -

**STATE OF ILLINOIS
 DEPARTMENT OF TRANSPORTATION**

PROPOSED TYPICAL SECTIONS

SCALE: 1"=50' SHEET 6 OF 12 SHEETS STA. TO STA.

F.A.I. RTE.	SECTION	COUNTY	TOTAL SHEETS	SHEET NO.
57	(15-22HB-4)BR (15-22)R	COLES	1086	26
CONTRACT NO. 74435				
ILLINOIS FED. AID PROJECT				

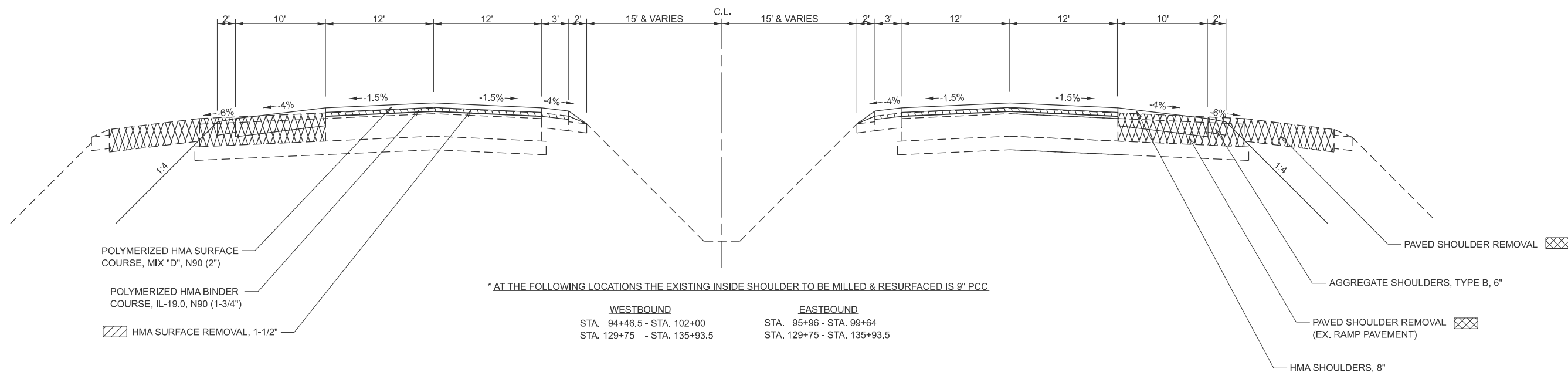
13 IL 16 PROPOSED TYPICAL CROSS SECTION

WESTBOUND

EASTBOUND

11 STA. 94+46.5 - STA. 102+63.4* 14
 14 STA. 128+33.3 - STA. 128+61.97
 STA. 128+61.97 BK = STA. 128+00 AH
 STA. 128+00 - STA. 132+82.9* 11

11 STA. 95+96 - STA. 99+64* 11
 14 STA. 127+76 - STA. 128+61.97
 STA. 128+61.97 BK = STA. 128+00 AH
 STA. 128+00 - STA. 135+93.5* 11



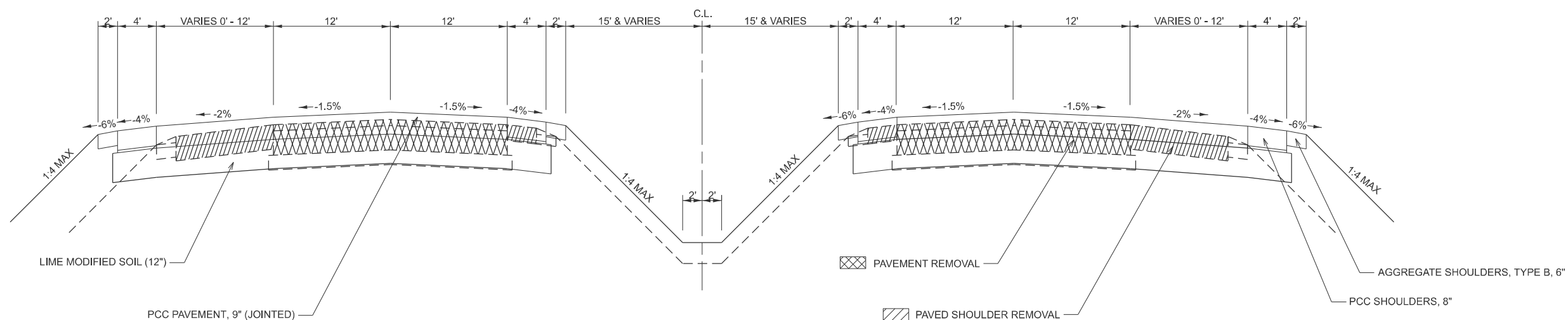
14 IL 16 PROPOSED TYPICAL CROSS SECTION

WESTBOUND

EASTBOUND

13 STA. 102+63.4 - STA. 108+13.3 15
 15 STA. 126+13.3 - STA. 128+33.3 13

11 STA. 102+06 - STA. 104+26 15
 15 STA. 122+26 - STA. 127+76 13



MODEL: Proposed Typical-6 (Sheet)
 FILE NAME: c:\p\work\hartzel\140852852\140852852\140852852\TypicalSections.dgn

USER NAME = kaleb.hirtzel	DESIGNED -	REVISED -
PLOT SCALE = \$SCALE\$	DRAWN -	REVISED -
PLOT DATE = 8/19/2024	CHECKED -	REVISED -
	DATE -	REVISED -

STATE OF ILLINOIS
 DEPARTMENT OF TRANSPORTATION

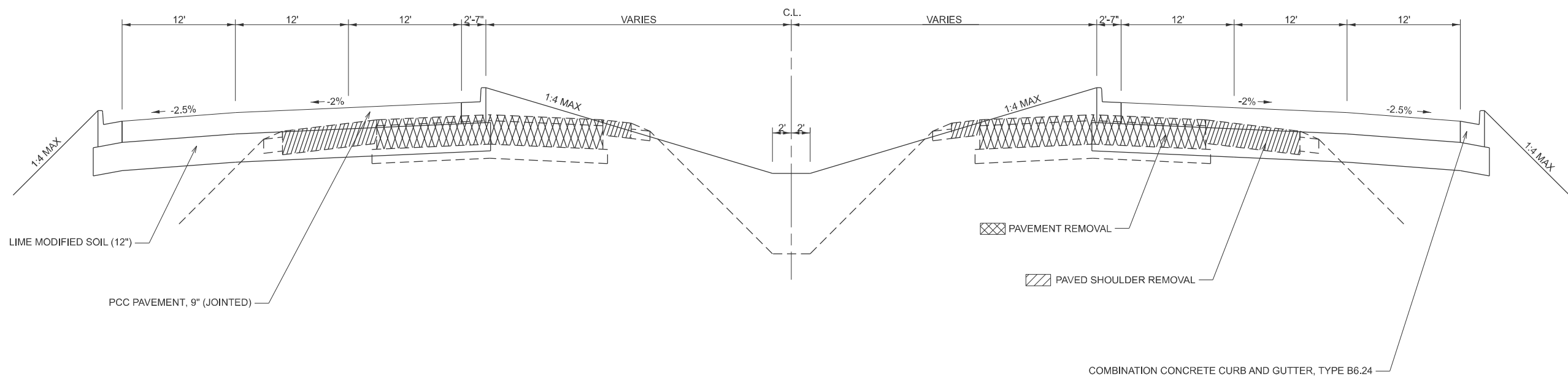
PROPOSED TYPICAL SECTIONS

SCALE: 1"=50' SHEET 7 OF 12 SHEETS STA. TO STA.

F.A.I. RTE.	SECTION	COUNTY	TOTAL SHEETS	SHEET NO.
57	(15-22HB-4)BR (15-22)R	COLES	1086	27
CONTRACT NO. 74435				
ILLINOIS FED. AID PROJECT				

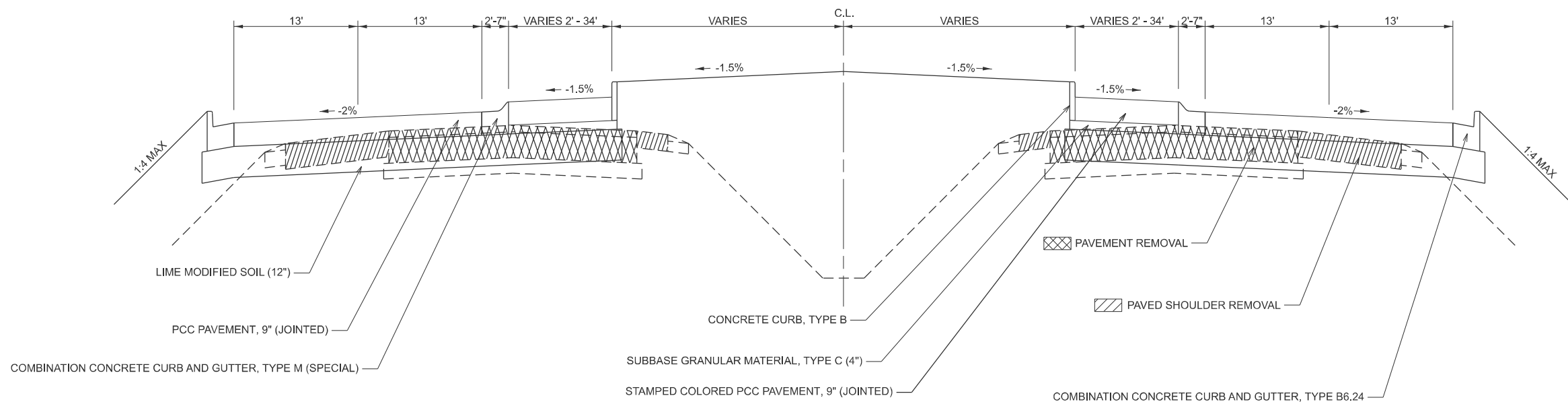
15 IL 16 PROPOSED TYPICAL CROSS SECTION

WESTBOUND EASTBOUND
14 STA. 108+13.3 - STA. 111+14 16 STA. 104+26 - STA. 111+15 16
16 STA. 119+24 - STA. 126+13.3 14 STA. 119+25 - STA. 122+26 14



16 IL 16 PROPOSED TYPICAL CROSS SECTION

WESTBOUND EASTBOUND
15 STA. 111+14 - STA. 112+70 17 STA. 111+15 - STA. 113+17 17
17 STA. 117+22 - STA. 119+24 15 STA. 117+69 - STA. 119+25 15



MODEL: Proposed Typical-7 (Sheet)
FILE NAME: c:\pva\work\hrtz\16\16-sections-typical-sections.dgn

USER NAME = kaleb.hirtzel	DESIGNED -	REVISED -
PLOT SCALE = \$SCALE\$	DRAWN -	REVISED -
PLOT DATE = 8/19/2024	CHECKED -	REVISED -
	DATE -	REVISED -

STATE OF ILLINOIS DEPARTMENT OF TRANSPORTATION

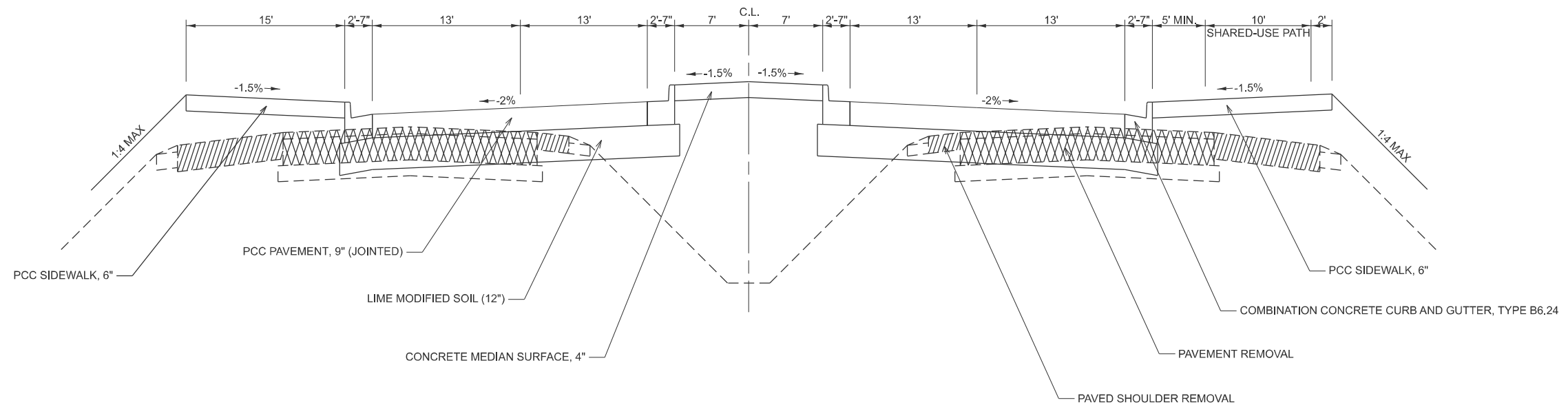
PROPOSED TYPICAL SECTIONS

SCALE: 1"=50' SHEET 8 OF 12 SHEETS STA. TO STA.

F.A.I RTE.	SECTION	COUNTY	TOTAL SHEETS	SHEET NO.
57	(15-22HB-4)BR (15-22)R	COLES	1086	28
CONTRACT NO. 74435				
ILLINOIS FED. AID PROJECT				

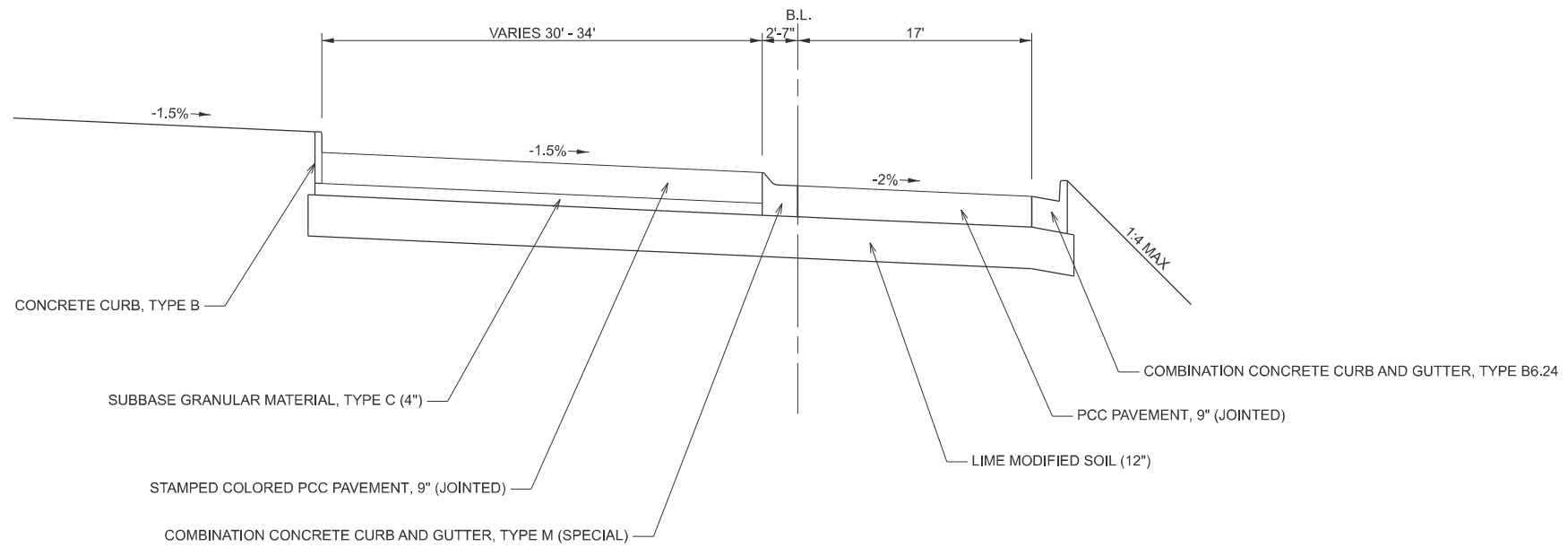
17 IL 16 PROPOSED TYPICAL CROSS SECTION

WESTBOUND EASTBOUND
 16 STA. 112+70 - STA. 117+22 16 STA. 113+17 - STA. 117+69 16



18 RAINDROP PROPOSED TYPICAL CROSS SECTION

STA. 200+00 - STA. 200+26
 STA. 208+83 - STA. 209+42.5
 STA. 217+99.5 - STA. 218+33



MODEL: Proposed Typical-9 (Sheet)
 FILE NAME: c:\p\work\hartzel\hartzel\0852852\074435-sheets-TypicalSections.dgn

USER NAME = kaleb.hirtzel	DESIGNED -	REVISED -	STATE OF ILLINOIS DEPARTMENT OF TRANSPORTATION	PROPOSED TYPICAL SECTIONS				F.A.I. RTE.	SECTION	COUNTY	TOTAL SHEETS	SHEET NO.		
PLOT SCALE = \$SCALES\$	DRAWN -	REVISED -		SCALE: 1"=50'	SHEET 9	OF 12	SHEETS	STA.	TO STA.	57	(15-22HB-4)BR (15-22)R	COLES	1086	29
PLOT DATE = 8/19/2024	CHECKED -	REVISED -		CONTRACT NO. 74435										
	DATE -	REVISED -		ILLINOIS FED. AID PROJECT										

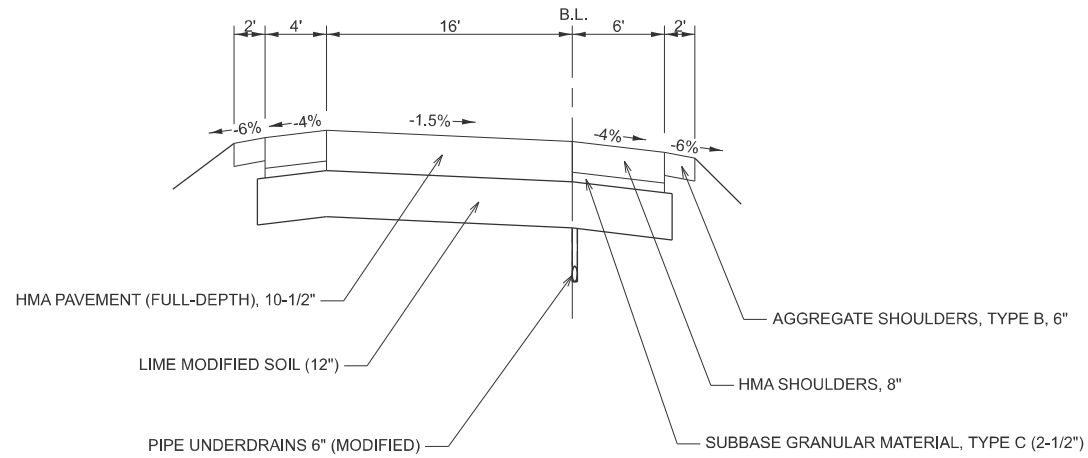
19 INTERCHANGE RAMP PROPOSED TYPICAL CROSS SECTION

PR. RAMP A: STA. 2006+60 - STA. 2014+16.7 20

PR. RAMP C: STA. 4006+60 - STA. 4013+99.9 20

19 PR. RAMP B: STA. 3006+77.2 - STA. 3011+97.74

20 PR. RAMP D: STA. 5009+18.71 - STA. 5011+96



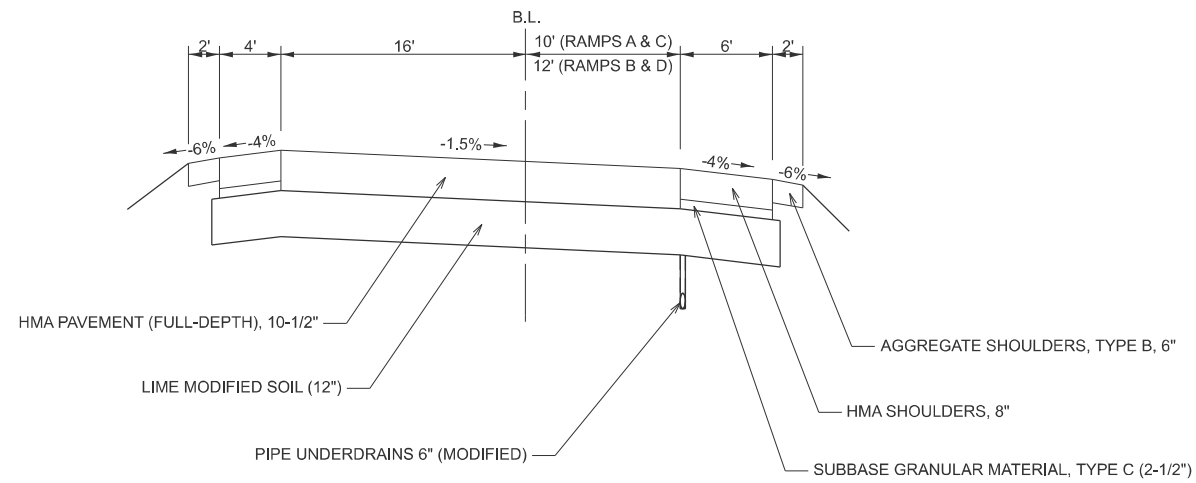
20 INTERCHANGE RAMP PROPOSED TYPICAL CROSS SECTION

19 PR. RAMP A: STA. 2014+16.7 - STA. 2017+50 21

19 PR. RAMP C: STA. 4013+99.9 - STA. 4017+41 21

22 PR. RAMP B: STA. 3001+86.53 - STA. 3006+77.2 19

23 PR. RAMP D: STA. 5002+38.17 - STA. 5009+18.71 19



MODEL: Proposed Typical-9 (Sheet)
FILE NAME: c:\p\work\hrtz\hrtz\10085252\074435-sheets-TypicalSections.dgn

USER NAME = kaleb.hirtzel	DESIGNED -	REVISED -
	DRAWN -	REVISED -
PLOT SCALE = \$SCALE\$	CHECKED -	REVISED -
PLOT DATE = 8/19/2024	DATE -	REVISED -

**STATE OF ILLINOIS
DEPARTMENT OF TRANSPORTATION**

PROPOSED TYPICAL SECTIONS

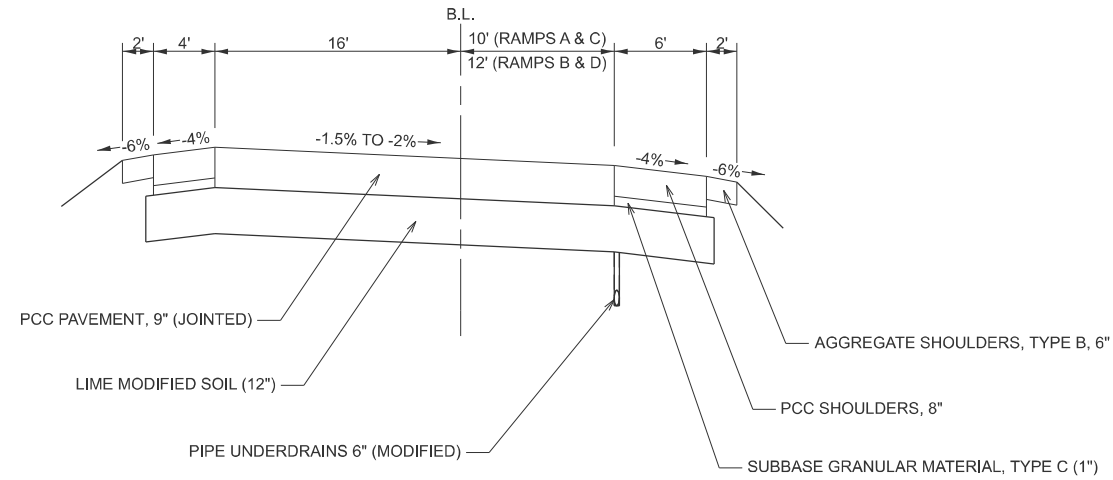
SCALE: 1"=50' SHEET 10 OF 12 SHEETS STA. TO STA.

F.A.I RTE.	SECTION	COUNTY	TOTAL SHEETS	SHEET NO.
57	(15-22HB-4)BR (15-22)R	COLES	1086	30
CONTRACT NO. 74435				
ILLINOIS FED. AID PROJECT				

21 INTERCHANGE RAMP PROPOSED TYPICAL CROSS SECTION

20 PR. RAMP A: STA. 2017+50 - STA. 2018+43.37 22

20 PR. RAMP C: STA. 4017+41 - STA. 4018+26.53 22

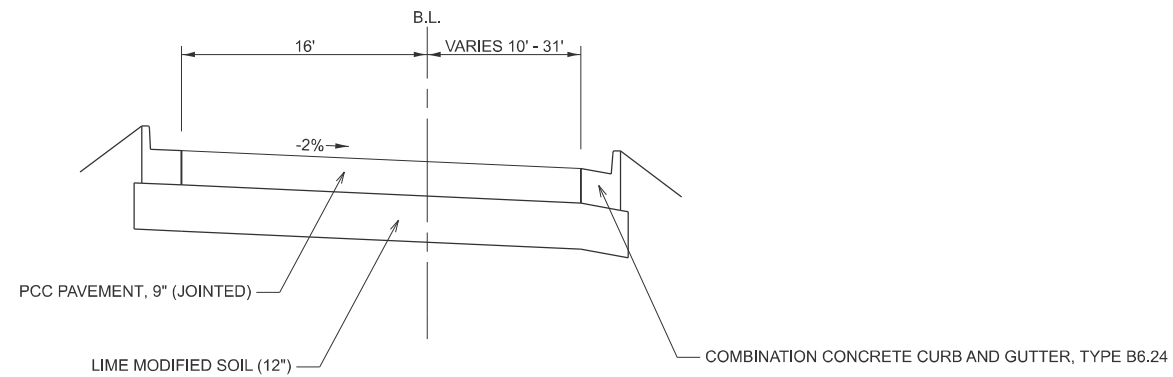


22 INTERCHANGE RAMP PROPOSED TYPICAL CROSS SECTION

21 PR. RAMP A: STA. 2018+43.37 - STA. 2020+00

20 PR. RAMP C: STA. 4018+26.53 - STA. 4020+00

PR. RAMP B: STA. 3000+80 - STA. 3001+86.53 20



MODEL: Proposed Typical-10 (Sheet)
FILE NAME: c:\p\work\w10\h1rtzel\0852852\074435-sheets-TypicalSections.dgn

USER NAME = kaleb.hirtzel	DESIGNED -	REVISED -
	DRAWN -	REVISED -
PLOT SCALE = \$SCALE\$	CHECKED -	REVISED -
PLOT DATE = 8/19/2024	DATE -	REVISED -

**STATE OF ILLINOIS
DEPARTMENT OF TRANSPORTATION**

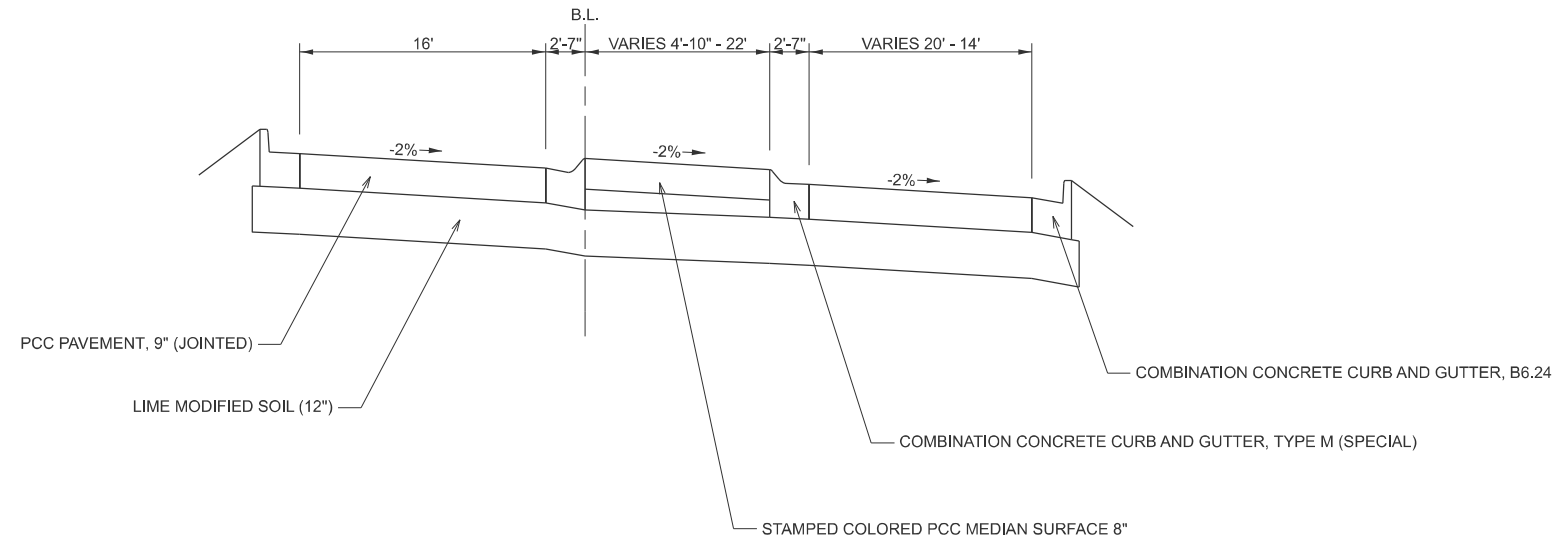
PROPOSED TYPICAL SECTIONS

SCALE: 1"=50' SHEET 11 OF 12 SHEETS STA. TO STA.

F.A.I RTE.	SECTION	COUNTY	TOTAL SHEETS	SHEET NO.
57	(15-22HB-4)BR (15-22)R	COLES	1086	31
CONTRACT NO. 74435				
ILLINOIS FED. AID PROJECT				

23 INTERCHANGE RAMP PROPOSED TYPICAL CROSS SECTION

PR. RAMP D: STA. 5000+50 - STA. 5002+38.17 20



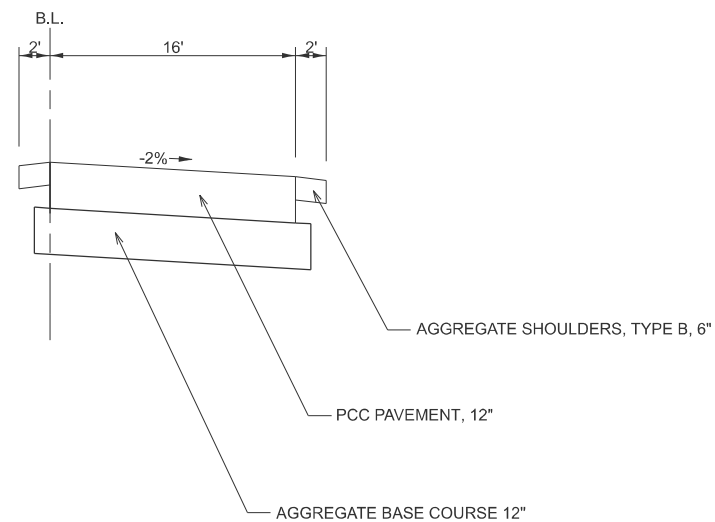
24 *TEMPORARY RAMP PROPOSED TYPICAL CROSS SECTION

NW TEMPORARY RAMP: STA. 6000+00 - STA. 6003+53

NE TEMPORARY RAMP: STA. 7000+00 - STA. 7004+62

SE TEMPORARY RAMP: STA. 8000+00 - STA. 8003+32

SW TEMPORARY RAMP: STA. 9000+00 - STA. 9004+27



* NOTE: THIS PAVEMENT STRUCTURE IS ALSO USED FOR THE TEMPORARY LEFT TURN LANES AND MEDIANS CONSTRUCTED ALONG IL 16 DURING THE PRE-STAGE. SEE STAGE CONSTRUCTION PLANS FOR MORE DETAILS.

MODEL: Proposed Typical-11 (Sheet)
FILE NAME: c:\p\work\hartzel\0852852\074435-sheets-TypicalSections.dgn

USER NAME = kaleb.hirtzel	DESIGNED -	REVISED -
	DRAWN -	REVISED -
PLOT SCALE = \$SCALE\$	CHECKED -	REVISED -
PLOT DATE = 8/19/2024	DATE -	REVISED -

**STATE OF ILLINOIS
DEPARTMENT OF TRANSPORTATION**

PROPOSED TYPICAL SECTIONS

SCALE: 1"=50' SHEET 12 OF 12 SHEETS STA. TO STA.

F.A.I RTE.	SECTION	COUNTY	TOTAL SHEETS	SHEET NO.
57	(15-22HB-4)BR (15-22)R	COLES	1086	32
CONTRACT NO. 74435				
ILLINOIS FED. AID PROJECT				

MODEL - SCHEDULES OF QUANTITIES (Sheet)
FILE NAME: c:\p\work\hrtz\hrtz\hrtz\hrtz\hrtz\hrtz\hrtz\hrtz\hrtz\hrtz\Schedules.dgn

TREE REMOVAL SCHEDULE		TREE REMOVAL (6 TO 15 UNITS DIAMETER)	TREE REMOVAL (OVER 15 UNITS DIAMETER)
STATION	OFFSET	UNIT	UNIT
SB I-57			
775+39	138.7' LT	-	24
776+26	147.1' LT	-	23
783+52	296.3' LT	-	16
784+06	370.3' LT	-	27
784+76	116.8' LT	14	-
785+47	234.0' LT	7	-
785+49	267.3' LT	11	-
785+59	303.4' LT	9	-
785+82	268.6' LT	8	-
786+51	57.9' LT	15	-
790+00	95.4' LT	15	-
790+31	85.4' LT	15	-
791+42	264.5' LT	12	-
791+43	229.3' LT	14	-
791+44	301.0' LT	14	-
793+71	63.9' LT	-	17
794+18	117.4' LT	-	41
795+05	85.1' LT	-	23
795+82	131.5' LT	-	26
796+55	76.6' LT	8	-
SB I-57 TOTALS:		142	197
NB I-57			
785+08	379.1' RT	9	-
785+76	259.0' RT	9	-
786+10	260.3' RT	12	-
786+13	224.2' RT	15	-
786+45	262.5' RT	14	-
790+09	48.3' RT	7	-
790+24	54.3' RT	6	-
791+23	300.8' RT	9	-
791+61	304.6' RT	8	-
791+66	270.0' RT	10	-
792+21	193.6' RT	11	-
795+11	114.6' RT	-	45
795+80	95.8' RT	-	23
795+81	110.8' RT	6	-
790+70	54.6' RT	7	-
NB I-57 TOTALS:		123	68

TREE REMOVAL SCHEDULE		TREE REMOVAL (6 TO 15 UNITS DIAMETER)	TREE REMOVAL (OVER 15 UNITS DIAMETER)
STATION	OFFSET	UNIT	UNIT
EB IL 16			
100+10	109.6' RT	-	44
100+38	109.6' RT	-	26
139+04	99.5' RT	-	47
EB IL 16 TOTALS:		0	117
EX RAMP B			
80+22	93.4' RT	-	20
83+30	74.2' RT	-	25
84+99	62.3' RT	-	16
85+28	58.7' RT	-	20
87+97	39.7' RT	-	21
EX RAMP B TOTALS:		0	102
PROJECT TOTALS:		265	484

TREE REMOVAL, ACRES SCHEDULE					TREE REMOVAL, ACRES
STATIONING		SIDE	LENGTH	AVE. WIDTH	ACRES
FROM	TO		FEET	FEET	
NB I-57					
771+00	778+00	RT	700	17.5	0.48
801+00	802+00	RT	100	57.5	0.13
802+00	806+00	RT	400	20.0	0.18
806+00	808+04	RT	204	67.5	0.37
809+01	809+48	RT	47	70.0	0.08
NB I-57 TOTAL:					1.23
SB I-57					
805+92	807+92	LT	200	111.0	0.46
808+32	812+00	LT	368	70.0	0.48
SB I-57 TOTAL:					0.94
EB IL 16					
130+00	135+88	RT	588	10.0	0.13
EB IL 16 TOTAL:					0.13
EX RAMP B					
78+08	81+26	RT	318	17.0	0.10
EX RAMP B TOTAL:					0.10
EX RAMP H					
793+00	801+00	RT	800	87.5	1.40
801+00	802+00	RT	100	57.5	0.13
EX RAMP H TOTAL:					1.53
EX RAMP F					
4+06	14+84	RT	1078	105.8	2.59
14+84	16+77	RT	193	102.5	0.60
16+77	19+68	RT	291	50.5	0.35
EX RAMP F TOTAL:					3.55
PROJECT TOTAL:					7.49

GUARD POSTS REMOVAL SCHEDULE - PRE-STAGE			GUARD POSTS REMOVAL
STATIONING		OFFSET	EACH
FROM	TO		
EX IL 16			
120+10	121+62	4' LT	28
120+26.5	120+56	58' RT	7
PRE-STAGE TOTAL:			35

FENCE REMOVAL SCHEDULE			WOVEN WIRE FENCE REMOVAL
STATIONING		SIDE	FOOT
FROM	TO		
SB I-57 - STAGE 1			
797+11	807+57	LT	1066.0
808+96	809+12	LT	100.0
STAGE 1 TOTAL:			1166.0
NB I-57 - STAGE 2			
771+00	780+50	RT	971.0
798+12	801+00	RT	292.0
807+24	807+61	RT	81.0
809+01	809+15	RT	100.0
STAGE 2 TOTAL:			1444.0
IL 16 - STAGE 3B			
130+00	132+50	RT	250.5
132+50	135+88	RT	337.9
STAGE 3B TOTAL:			588.4
PROJECT TOTAL:			3198.4

USER NAME	= kaleb.hirtzel	DESIGNED	-	REVISED	-
		DRAWN	-	REVISED	-
		CHECKED	-	REVISED	-
PLOT DATE	= 8/16/2024	DATE	-	REVISED	-

**STATE OF ILLINOIS
DEPARTMENT OF TRANSPORTATION**

SCHEDULE OF QUANTITIES

SCALE: SHEET 1 OF 50 SHEETS STA. TO STA.

F.A.I RTE.	SECTION	COUNTY	TOTAL SHEETS	SHEET NO.
57	(15-22HB-4)BR (15-22)R	COLES	1086	33
CONTRACT NO. 74435				
		ILLINOIS	FED. AID PROJECT	

GUARDRAIL REMOVAL SCHEDULE PRE-STAGE			GUARDRAIL REMOVAL
STATIONING			
FROM	TO	SIDE	FOOT
NB I-57			
811+44.0	811+99.0	LT	55.0
NB I-57 TOTAL:			55.0
EX IL 16			
100+31.8	101+66.5	RT	134.7
EX IL 16 TOTAL:			134.7
PRE-STAGE TOTAL:			189.7

GUARDRAIL REMOVAL SCHEDULE STAGE 1			GUARDRAIL REMOVAL
STATIONING			
FROM	TO	SIDE	FOOT
SB I-57			
785+30.7	787+44.5	LT	214.0
789+91.0	792+36.0	RT	245.0
792+10.0	799+10.0	LT	700.0
802+35.0	805+10.0	RT	275.0
805+93.5	807+43.5	LT	150.0
808+99.5	813+99.5	LT	500.0
809+05.0	813+99.5	RT	494.5
815+67.0	821+62.0	LT	595.0
815+67.0	818+12.5	RT	245.5
SB I-57 TOTAL:			3419.0
EB IL 16			
112+93.0	115+94.0	LT	301.0
112+95.0	114+21.0	RT	126.0
114+57.0	115+24.0	RT	67.0
EB IL 16 TOTAL:			494.0
WB IL 16			
113+84.0	116+85.0	RT	301.0
114+53.0	115+20.5	LT	67.5
115+56.0	116+70.0	LT	114.0
WB IL 16 TOTAL:			482.5
EX RAMP C			
124+13.0	126+29.0	RT	216.0
138+95.0	140+22.0	RT	127.0
EX RAMP C TOTAL:			343.0
EX RAMP E			
116+37.0	118+63.5	LT	226.5
118+55.0	121+64.0	RT	309.0
EX RAMP E TOTAL:			535.5
EX RAMP F			
4+06.0	11+70.0	RT	764.0
EX RAMP F TOTAL:			764.0
STAGE 1 TOTAL:			6038.0

GUARDRAIL REMOVAL SCHEDULE STAGE 2			GUARDRAIL REMOVAL
STATIONING			
FROM	TO	SIDE	FOOT
NB I-57			
771+97.0	774+71.4	LT	274.4
773+91.0	775+28.0	RT	137.0
784+97.0	787+42.0	LT	245.0
793+41.0	798+41.0	RT	500.0
799+28.0	802+41.0	LT	313.0
805+10.0	807+54.0	LT	244.0
809+15.0	813+95.0	RT	480.0
811+99.0	813+95.0	LT	196.0
815+67.0	820+08.0	RT	441.0
836+03.0	838+66.0	RT	263.0
NB 57 TOTAL:			3093.4
EX RAMP A			
85+04.0	87+37.0	RT	233.0
EX RAMP A TOTAL:			233.0
EX RAMP B			
73+93.0	75+30.0	RT	137.0
EX RAMP B TOTAL:			137.0
EX RAMP G			
89+86.0	97+57.0	RT	771.0
93+36.0	99+17.0	LT	581.0
EX RAMP G TOTAL:			1352.0
EX RAMP H			
800+72.0	807+58.0	RT	686.0
EX RAMP H TOTAL:			686.0
STAGE 2 TOTAL:			5501.4

GUARDRAIL REMOVAL SCHEDULE STAGE 3			GUARDRAIL REMOVAL
STATIONING			
FROM	TO	SIDE	FOOT
WB IL 16 (STAGE 3A)			
128+06.0	128+62.0	LT	56.0
128+62.0	128+00.0	STA. EQU.	-
128+00.0	128+81.0	LT	81.0
128+05.0	129+41.0	RT	136.0
STAGE 3A TOTAL:			273.0
EB IL 16 (STAGE 3B)			
100+67.0	102+04.0	RT	137.0
STAGE 3B TOTAL:			137.0
EX RAMP F (STAGE 3E)			
6+82.3	1885+12.0	RT	1198.0
12+19.0	16+54.6	LT	453.0
STAGE 3E TOTAL:			1651.0
EX RAMP H (STAGE 3F)			
794+32.3	798+00.0	LT	350.0
794+68.4	800+53.0	RT	610.0
STAGE 3F TOTAL:			960.0
STAGE 3 TOTAL:			3021.0

MODEL: SCHEDULES OF QUANTITIES-1 (Sheet)
FILE NAME: c:\p\work\wrt\hrtz\hrtz\100862852\074435-sheets-Schedules.dgn

USER NAME = kaleb.hirtzel	DESIGNED -	REVISED -
	DRAWN -	REVISED -
	CHECKED -	REVISED -
PLOT DATE = 8/19/2024	DATE -	REVISED -

**STATE OF ILLINOIS
DEPARTMENT OF TRANSPORTATION**

SCHEDULE OF QUANTITIES

SCALE: SHEET 2 OF 50 SHEETS STA. TO STA.

F.A.I RTE.	SECTION	COUNTY	TOTAL SHEETS	SHEET NO.
57	(15-22HB-4)BR (15-22)R	COLES	1086	34
CONTRACT NO. 74435				
ILLINOIS FED. AID PROJECT				

PAVEMENT REMOVAL SCHEDULE PRE-STAGE				PAVEMENT REMOVAL
STATION	OFFSET 1	OFFSET 2	AREA	SQ YD
	FEET	FEET	SQ FT	
EX IL 16				
120+38.00	57.0 RT	248 RT	2453.18	272.6
120+70.50	16.7 RT	17.2 LT	868.75	96.5
EX IL 16 TOTAL :				369.1
LINCOLN PRAIRIE GRASS TRAIL				
100+74.75	101+14.75	40	10	44.4
103+87.25	104+27.25	40	10	44.4
LINCOLN PRAIRIE GRASS TRAIL TOTAL:				88.9
PRE-STAGE TOTAL:				458.0

PAVEMENT REMOVAL SCHEDULE STAGES 1 & 2				PAVEMENT REMOVAL
LOCATION	STATIONING		SQ YD	
	FROM	TO		
STAGE 1				
SB I-57	807+06	807+24	48.8	
SB I-57	809+25	809+42	47.1	
EX RAMP C	12450	141+10	2831.7	
E RAMP D	57+00	67+02	1231.5	
EX RAMP E	10642	121+30	2408.5	
EX RAMP F	4+06	6+80	227.9	
STAGE 1 TOTAL:				6795.5
STAGE 2				
NB I-57	807+17.0	807+34	46.7	
NB I-57	809+35	809+53	48.3	
EX RAMP A	72+52.0	87+04	2286.6	
EX RAMP B	71+08	74+30.5	308.1	
EX RAMP G	90+24.0	106+42	2784.7	
EX RAMP H	800+53.0	807+17	718.9	
STAGE 2 TOTAL:				6193.3
STAGE 1 & 2 TOTAL:				12988.8

PAVEMENT REMOVAL SCHEDULE PRE-STAGE 3			PAVEMENT REMOVAL
STATIONING			SQ YD
FROM	TO		
EB IL 16			
10841.4	10879.4	72.6	
10841.4	10879.4	42.2	
EB IL 16 TOTAL:			114.8
WB IL 16			
108+41.2	108+80.2	52.8	
108+41.2	108+80.2	85.0	
108+04.6	108+95.8	230.8	
WB IL 16 TOTAL:			368.6
NW TEMPORARY RAMP			
6000+71.0	6003+51.0	581.2	
NW TEMP RAMP TOTAL:			581.2
SW TEMPORARY RAMP			
9000+87.0	9004+14.0	623.3	
SW TEMP RAMP TOTAL:			623.3
PRE-STAGE 3 TOTAL:			1687.9

PAVEMENT REMOVAL SCHEDULE - STAGE 3				PAVEMENT REMOVAL
LOCATION	STATIONING		SQ YD	
	FROM	TO		
STAGE 3A				
WB IL 16	102+63.3	127+71.4	7371.8	
EX IL 16	120+49.2	121+44	205.8	
NE TEMPORARY RAMP	7000+76.0	7004+62.0	791.7	
STAGE 3A TOTAL:			8369.2	
STAGE 3B				
EB IL 16	102+06.0	127+14.0	7234.3	
EX IL 16	117+90.0	121+44.0	375.6	
SE TEMPORARY RAMP	8000+00.0	8003+32.0	533.6	
EX RAMP B	74+10.5	103+42.2	4442.9	
EX RAMP D	33+42.0	57+19.3	3872.9	
STAGE 3B TOTAL:			16459.3	
STAGE 3C				
EX IL 16	94+70.9	101+41.8	1295.8	
EX IL 16	130+33.2	137+04.1	1295.8	
WB IL 16	109+41.0	110+81.6	164.3	
WB IL 16	110+82.0	119+63.4	1689.4	
WB IL 16	119+62.3	120+41.1	95.3	
STAGE 3C TOTAL:			4540.5	
STAGE 3E				
EX RAMP F	6+59.6	34+68.0	4250.0	
STAGE 3E TOTAL:			4250.0	
STAGE 3F				
EX RAMP H	777+25.7	800+73.6	3982.9	
STAGE 3F TOTAL:			3982.9	
STAGE 3 TOTAL:			37601.9	

APPROACH SLAB REMOVAL SCHEDULE STAGES 1 & 2				APPROACH SLAB REMOVAL
STATIONING		LENGTH	SQ YD	
FROM	TO	FEET		
SB I-57 - STAGE 1				
787+07.7	787+49.0	41.3	234.0	
789+84.7	790+26.4	41.7	254.8	
807+24.0	807+54.0	30.0	147.5	
808+94.0	809+24.5	30.5	148.9	
STAGE 1 TOTAL:			785.2	
NB I-57 - STAGE 2				
787+07.7	787+47.4	39.7	238.2	
789+82.9	790+26.4	43.5	246.3	
807+34.0	807+65.0	31.0	149.3	
809+04.0	809+35.0	31.0	148.6	
STAGE 2 TOTAL:			782.3	
PROJECT TOTAL:			1567.6	

CURB & GUTTER REMOVAL SCHEDULE STAGE 3B					COMBINATION CURB AND GUTTER REMOVAL
STATIONING		START O/S	END O/S	FEET	FOOT
FROM	TO	FEET	FEET		
EB IL 16					
144+32.6	144+55.1	26.2' RT	41.1' RT	25.0	
STAGE 3B TOTAL:				25.0	

MODEL: SCHEDULES OF QUANTITIES-2 (Sheet)
FILE NAME: c:\pwworking\hrtz\hrtz\108062852\0774435-sheets-Schedules.dgn

USER NAME = kaleb.hirtzel	DESIGNED -	REVISED -
	DRAWN -	REVISED -
	CHECKED -	REVISED -
PLOT DATE = 8/19/2024	DATE -	REVISED -

STATE OF ILLINOIS
DEPARTMENT OF TRANSPORTATION

SCHEDULE OF QUANTITIES

SCALE: SHEET 3 OF 50 SHEETS STA. TO STA.

F.A.I RTE.	SECTION	COUNTY	TOTAL SHEETS	SHEET NO.
57	(15-22HB-4)BR (15-22)R	COLES	1086	35
CONTRACT NO. 74435				
ILLINOIS FED. AID PROJECT				

REMOVAL OF EXISTING STRUCTURES SCHEDULE			REMOVAL OF EXISTING STRUCTURES	REMOVAL OF EXISTING STRUCTURES (SPECIAL)
STAGE	STATION	OFFSET (FROM/TO)	EACH	EACH
EX IL 16: 8' X 3' BOX CULVERT				
PRE-STAGE 3C	109+00	12' LT TO 16.8' RT	0.3	-
STAGE 3A	109+00	12' LT TO 66.5' LT	0.3	-
STAGE 3B	109+00	16.8' RT TO 61.5' RT	0.3	-
EX IL 16 TOTALS:			1	0
EX RAMP D: E8' X 3' BOX CULVERT				
STAGE 3B	43+50	37.7' LT TO 12.6' RT	1	-
EX RAMP D TOTALS:			1	0
EX RAMP F: 8' X 3' BOX CULVERT				
STAGE 3E	19+74	54.3' RT	-	0.5
STAGE 3E	20+95	66.7' LT	-	0.5
EX RAMP F TOTALS:			0	1
PROJECT TOTALS:			2	1

INLET BOX REMOVAL SCHEDULE			REMOVE INLET BOX	MEDIAN INLET BOX REMOVAL	PIPE DRAIN REMOVAL
LOCATION	STATION	SIDE	EACH	EACH	FOOT
STAGE 1					
EX RAMP C	125+84	RT	1	-	52
EX RAMP F	6+00	RT	1	-	92
EX RAMP F	12+00	RT	1	-	68
EX RAMP F	15+17	RT	1	-	62
SB I-57	792+61	LT	1	-	66
SB I-57	807+37	LT	1	-	88
STAGE 1 TOTALS:			6	0	428
STAGE 2					
EX RAMP G	90+24	RT	1	-	48
EX RAMP G	95+99	RT	1	-	56
EX RAMP B	803+10	RT	1	-	80
NB I-57	790+55	RT	-	1	110
NB I-57	793+85	RT	1	-	13
NB I-57	807+50	RT	1	-	80
STAGE 2 TOTALS:			5	1	387
PRE-STAGE 3C					
IL 16	108+89	CL	-	1	-
IL 16	109+12	CL	-	1	-
PRE-STAGE 3C TOTALS:			0	2	0
STAGE 3F					
EX RAMP H	795+04	RT	1	-	55
EX RAMP H	797+52	RT	1	-	68
STAGE 3F TOTALS:			2	0	123
PROJECT TOTALS:			13	3	938

STORM SEWER REMOVAL SCHEDULE - STAGE 3					STORM SEWER REMOVAL 12"	STORM SEWER REMOVAL 15"	STORM SEWER REMOVAL 30"	STORM SEWER REMOVAL 36"
LOCATION	STATION	OFFSET	STATION	OFFSET	FOOT	FOOT	FOOT	FOOT
STAGE 3A								
WB IL 16	104+26.7	16' LT	-	-	7.0	-	-	-
STAGE 3A TOTALS:					7.0	0.0	0.0	0.0
STAGE 3B								
EX IL 16	113+22.0	46.5' RT	-	-	36.0	-	-	-
EX IL 16	126+34.0	47.1' RT	-	-	44.0	-	-	-
EX IL 16	144+19.9	76.5' RT	144+25.9	76.3' RT	-	-	-	6.0
STAGE 3B TOTALS:					80.0	0.0	0.0	6.0
STAGE 3E								
WB IL 16	104+26.7	23' LT	-	-	37.0	-	-	-
STAGE 3E TOTALS:					37.0	0.0	0.0	0.0
STAGE 3F								
WB IL 16	123+60.5	69.9' LT	125+18.0	85.8' LT	-	-	153.0	-
WB IL 16	125+22.0	51' LT	-	-	-	33.0	-	-
WB IL 16	125+22.5	86.0' LT	125+68.1	86.8' LT	-	-	43.0	-
STAGE 3F TOTALS:					0.0	33.0	196.0	0.0
STAGE 3 TOTALS:					124.0	33.0	196.0	6.0

DRAINAGE STRUCTURE REMOVALS SCHEDULE STAGE 3					
LOCATION	STATION	OFFSET	REMOVING INLETS	REMOVING CATCH BASINS	REMOVING MANHOLES
STAGE 3A					
EX IL 16	104+26.8	14.9' LT	-	1	-
STAGE 3A TOTALS:			0	1	0
STAGE 3B					
EX IL 16	113+22	46.5' RT	-	1	-
EX IL 16	126+34	47.1' RT	-	1	-
STAGE 3B TOTALS:			0	2	0
STAGE 3C					
EX IL 16	98+00	0' CL	-	-	1
EX IL 16	98+00	18.5' LT	1	-	-
EX IL 16	98+00	18.5' RT	1	-	-
EX IL 16	133+75	0' CL	-	-	1
EX IL 16	133+75	18.5' LT	1	-	-
EX IL 16	133+75	18.5' RT	1	-	-
STAGE 3C TOTALS:			4	0	2
STAGE 3F					
WB IL 16	125+20	85.9' LT	-	-	1
STAGE 3F TOTALS:			0	0	1
STAGE 3 TOTALS:			4	3	3

PAVED DITCH REMOVAL SCHEDULE - STAGE 2					PAVED DITCH REMOVAL
STATIONING		START O/S	END O/S		
FROM	TO	FEET	FEET	FOOT	
EX RAMP H					
790+26.0	794+43.0	35.7' LT	43.7' LT	417.0	
STAGE 2 TOTAL:				417.0	

CONCRETE HEADWALL REMOVAL SCHEDULE			CONCRETE HEADWALL REMOVAL (SPECIAL)
STATION	SIDE	EACH	
I-57 CROSSOVERS			
742+00	RT	1	
742+01	LT	1	
746+99	LT/RT	2	
843+69	LT	1	
843+75	RT	1	
847+90	LT	1	
847+95	RT	1	
I-57 CROSSOVER TOTAL:			8
NB I-57			
762+00	LT/RT	2	
767+00	LT/RT	2	
772+00	LT	1	
777+00	LT	1	
779+50	RT	1	
781+17	RT	1	

CONCRETE HEADWALL REMOVAL SCHEDULE			CONCRETE HEADWALL REMOVAL (SPECIAL)
STATION	SIDE	EACH	
782+00	LT	1	
790+30	LT	1	
794+00	RT	1	
804+00	LT	1	
807+15	LT	1	
813+66	LT/RT	2	
821+00	LT/RT	2	
826+00	LT/RT	2	
830+75	LT/RT	2	
835+75	LT/RT	2	
837+75	LT/RT	2	
NB I-57 TOTAL:			25
SB I-57			
762+00	LT/RT	2	
767+00	LT/RT	2	
772+00	LT	1	

CONCRETE HEADWALL REMOVAL SCHEDULE			CONCRETE HEADWALL REMOVAL (SPECIAL)
STATION	SIDE	EACH	
777+00	LT	1	
781+00	RT	1	
782+00	RT	1	
790+30	LT	1	
793+00	LT	1	
804+00	RT	1	
807+15	LT	1	
813+66	LT	1	
821+00	LT/RT	2	
826+00	LT/RT	2	
830+75	LT/RT	2	
835+75	LT/RT	2	
837+75	LT/RT	2	
SB I-57 TOTAL:			24
PROJECT TOTAL:			49

MODEL: SCHEDULES OF QUANTITIES-A (Sheet)
FILE NAME: c:\p\work\w\olstefm\mk\0852852\0774435-sheets-Schedules.dgn

USER NAME = Mona.Steffen	DESIGNED -	REVISED -
	DRAWN -	REVISED -
	CHECKED -	REVISED -
PLOT DATE = 8/4/2025	DATE -	REVISED -

STATE OF ILLINOIS
DEPARTMENT OF TRANSPORTATION

SCHEDULE OF QUANTITIES

SCALE: SHEET 5 OF 50 SHEETS STA. TO STA.

F.A.I. RTE.	SECTION	COUNTY	TOTAL SHEETS	SHEET NO.
57	(15-22HB-4)BR (15-22)R	COLES	1086	37
CONTRACT NO. 74435				
ILLINOIS FED. AID PROJECT				

PIPE CULVERT REMOVAL SCHEDULE PRE-STAGE						PIPE CULVERT REMOVAL
LOCATION	STATION	O/S	STATION	O/S	DIAMETER	
		FEET		FEET	INCHES	FOOT
NB I-57	807+60.5	154.3' RT	807+98.7	149.6' RT	24	31.0
EX IL 16	92+32.0	55.9' RT	92+33.0	73.1' LT	36	129.0
PRE-STAGE TOTAL:						160.0

PIPE CULVERT REMOVAL SCHEDULE - STAGES 1 & 2					PIPE CULVERT REMOVAL
LOCATION	STATION	DIAMETER	LT O/S	RT O/S	
		INCHES	FEET	FEET	FOOT
STAGE 1					
EX RAMP C	128+51.0	24	56.0	34.0	90.0
EX RAMP C	135+91.0	24	35.4	18.0	53.4
EX RAMP E	112+54.0	24	43.0	27.0	70.0
EX RAMP F	14+95.0	24	76.8	-	10.0
EX RAMP F	14+95.0	24	-	74.2	10.0
STAGE 1 TOTAL:					233.4
STAGE 2					
EX RAMP A	77+51.0	24	100.2	13.6	113.8
EX RAMP G	94+71.0	24	83.2	62.7	145.9
EX RAMP H	796+00.0	24	46.9 - 83.5	-	36.6
EX RAMP H	796+00.0	24	-	33.9 - 68.3	34.3
STAGE 2 TOTAL:					330.6
STAGES 1 & 2 TOTAL:					564.0

PIPE CULVERT REMOVAL SCHEDULE - PRE-STAGE 3						PIPE CULVERT REMOVAL
LOCATION (SUB-STAGE)	STATION	O/S	STATION	O/S	DIAMETER	
		FEET		FEET	INCHES	FOOT
NW TEMP RAMP (3C)	107+90.8	125.8 LT	108+54.1	126 LT	15	63.3
IL 16 PCC MEDIAN (3C)	107+87.6	0.1 RT	108+80.0	0.5 RT	18	92.2
SW TEMP RAMP (3E)	107+85.0	86.5 RT	107+47.8	82.2 RT	36	62.9
SW TEMP RAMP (3E)	107+86.1	89.6 RT	108+47.8	85.3 RT	36	61.8
PRE-STAGE 3 TOTAL:						280.2

PIPE CULVERT REMOVAL SCHEDULE - STAGE 3						PIPE CULVERT REMOVAL
LOCATION	STATION	O/S	STATION	O/S	DIAMETER	
		FEET		FEET	INCHES	FOOT
STAGE 3A						
EX RAMP H	786+35.1	34.5' RT	786+35.1	14.5' RT	15	49.0
NE TEMPORARY RAMP	602+48.5	18.0' LT	602+62.6	33.9' RT	15	53.8
NE TEMPORARY RAMP	604+36.6	18.0' LT	604+36.6	53.3' RT	15	71.3
E IL 16 TEMP MEDIAN	120+55	4.5' LT	121+70.3	0.4' RT	15	115.4
STAGE 3A TOTAL:						289.5
STAGE 3B						
EX IL 16	134+63.8	72.1' RT	134+96.8	72.7' RT	24	33.0
EX RAMP B	89+98.1	44.7' LT	89+89.6	20' RT	24	65.2
SE TEMPORARY RAMP	8001+15.3	14.7' LT	8002+26.6	30.0' RT	15	120.2
SE TEMPORARY RAMP	8002+80.3	16.2' LT	8002+94.5	37.1' RT	24	55.2
STAGE 3B TOTAL:						273.6
STAGE 3C						
EX IL 16	95+56.3	0	97+96.5	0	15 ERS	240.2
EX IL 16	98+03.5	0	100+63.8	0	15 ERS	260.3
EX IL 16	98+00.0	0	98+00.0	14' LT	15	14.0
EX IL 16	98+00.0	0	98+00.0	14' RT	15	14.0
EX IL 16	131+46.3	0	133+71.5	0	15 ERS	225.2
EX IL 16	133+78.5	0	137+03.8	0	15 ERS	325.3
EX IL 16	133+75.0	0	133+75.0	14' LT	15	14.0
EX IL 16	133+75.0	0	133+75.0	14' RT	15	14.0
STAGE 3C TOTAL:						1107.0
STAGE 3E						
RAMP A	2013+86.1	87.4	2016+85.3	109	36	300.0
STAGE 3E TOTAL:						300.0
STAGE 3 TOTAL:						1970.1

PAVEMENT MARKING REMOVAL SCHEDULE				PAVEMENT MARKING REMOVAL - WATER BLASTING
LOCATION	STATIONING		LENGTH	
	FROM	TO	FEET	SQ FT
PRE-STAGE				
EX RAMP B	87+18	88+07	89	44.5
EX RAMP H	789+97	790+81	84	42.0
PRE-STAGE TOTAL:				86.5
STAGE 1				
EX RAMP D	45+96	46+82	86	43.0
EX RAMP F	19+77	20+62	85	42.5
STAGE 1 TOTAL:				85.5
STAGE 3A				
EB IL 16	112+00	128+21	1621	540.3
STAGE 3A TOTAL:				540.3
STAGE 3B				
NB I-57	767+50	778+18	1067.7	533.8
SB I-57	764+00	779+45	1545	772.5
EX RAMP D	35+50	42+00	650	216.7
STAGE 3B TOTAL:				1523.0
STAGE 3E				
SB I-57	790+09	810+00	1991	995.5
STAGE 3E TOTAL:				995.5
STAGE 3F				
NB I-57	798+53	813+50	1497.2	748.6
STAGE 3F TOTAL:				748.6
PROJECT TOTAL:				3979.5

MODEL: SCHEDULES OF QUANTITIES-S (Sheet)
 FILE NAME: c:\pdx_work\pdx\hrtz\hrtz\100852852\0774435-sheets-Schedules.dgn

USER NAME = kaleb.hirtzel	DESIGNED -	REVISED -
	DRAWN -	REVISED -
	CHECKED -	REVISED -
PLOT DATE = 8/19/2024	DATE -	REVISED -

**STATE OF ILLINOIS
DEPARTMENT OF TRANSPORTATION**

SCHEDULE OF QUANTITIES

SCALE: SHEET 6 OF 50 SHEETS STA. TO STA.

F.A.I RTE.	SECTION	COUNTY	TOTAL SHEETS	SHEET NO.
57	(15-22HB-4)BR (15-22)R	COLES	1086	38
CONTRACT NO. 74435				
ILLINOIS FED. AID PROJECT				

SHORT-TERM PAVEMENT MARKING REMOVAL SCHEDULE - PRE-STAGE 3				SHORT-TERM PAVEMENT MARKING REMOVAL
STATIONING		LENGTH		
FROM	TO	FEET	SQ FT	
EX EB IL 16				
106+44	108+55	211.0	144.8	
108+55	109+33	78.0	43.0	
117+90	119+71	181.0	90.5	
119+71	120+91	120.0	305.0	
EX EB IL 16 TOTAL:				583.3
EX WB IL 16				
105+79	107+29	150.0	225.0	
107+29	107+54	25.0	28.1	
107+54	108+05	51.0	41.9	
108+05	108+29	24.0	0.0	
108+29	108+61	32.0	112.0	
108+61	109+78	117.0	286.1	
109+78	112+34	256.0	288.5	
112+34	113+84	150.0	225.0	
120+28	120+91	63.0	34.0	
120+91	122+07	116.0	0.0	
122+07	123+07	100.0	134.8	
EX WB IL 16 TOTAL:				1375.4
NE TEMPORARY RAMP				
7000+37	7001+18	81.0	40.5	
7001+18	7004+62	344.0	360.0	
NE TEMPORARY RAMP TOTAL:				400.5
SE TEMPORARY RAMP				
8000+36	8001+23	87.0	43.5	
8001+23	8003+06	183.0	240.5	
8003+06	8003+32	26.0	108.0	
SE TEMPORARY RAMP TOTAL:				392.0
NW TEMPORARY RAMP				
6000+48	6001+30	82.0	41.0	
6001+30	6003+29	199.0	252.5	
6003+29	6003+50	21.0	103.5	
NW TEMPORARY RAMP TOTAL:				397.0
SW TEMPORARY RAMP				
9000+36	9001+19	83.0	41.5	
9001+19	9004+27	308.0	332.0	
SW TEMPORARY RAMP TOTAL:				373.5
PRE-STAGE 3 TOTAL:				3521.7

RAISED REFLECTIVE PAVEMENT MARKER REMOVAL SCHEDULE				RAISED REFLECTIVE PAVEMENT MARKER REMOVAL
STATIONING		LENGTH		
FROM	TO	(FEET)	EACH	
NB I-57				
760+60.0	767+50.0	690.0	17	
767+50.0	770+50.0	300.0	8	
770+50.0	774+10.0	360.0	9	
774+10.0	800+73.2	2663.2	62	
800+73.2	805+00.0	426.8	11	
805+00.0	813+50.0	850.0	21	
813+50.0	840+69.0	2719.0	63	
NB I-57 TOTAL:				190
SB I-57				
760+60.0	764+00.0	340.0	9	
764+00.0	772+50.0	850.0	21	
772+50.0	776+82.3	432.3	11	
776+82.3	803+40.0	2657.7	62	
803+40.0	807+00.0	360.0	9	
807+00.0	810+00.0	300.0	8	
810+00.0	840+69.0	3069.0	72	
SB I-57 TOTAL:				190
EX EB IL 16				
91+75.0	147+95.0	5620.0	70	
EX EB IL 16 TOTAL:				70
EX WB IL 16				
91+75.0	147+95.0	5620.0	70	
EX WB IL 16 TOTAL:				70
PROJECT TOTAL:				521

OVERHEAD SIGN STURCTURE REMOVAL SCHEDULE					REMOVE OVERHEAD SIGN STRUCTURE - SPAN	REMOVE OVERHEAD SIGN STRUCTURE - CANTILEVER	REMOVE OVERHEAD SIGN STRUCTURE - BRIDGE MOUNTED	REMOVE CONCRETE FOUNDATIONS - OVERHEAD
LOCATION	STATION	LENGTH FEET	LT OFFSET FEET	RT OFFSET FEET	EACH	EACH	EACH	EACH
STAGE 1A								
SB I-57	786+01	-	38.3	-	-	1	-	1
SB I-57	802+50	94	50.7	43.6	1	-	-	4
STAGE 1A TOTALS:					1	1	0	5
STAGE 2A								
NB I-57	775+02	95	43.6	51.1	1	-	-	4
NB I-57	791+43	-	-	38.5	-	1	-	1
WB IL 16	115+50	-	32	-	-	-	1	-
STAGE 2A TOTALS:					1	1	1	5
STAGE 3A								
WB IL 16	128+12	74	50.8	23.0	1	-	-	4
STAGE 3A TOTALS:					1	0	0	4
STAGE 3B								
EB IL 16	101+60	73	22.3	50.4	1	-	-	4
STAGE 3B TOTALS:					1	0	0	4
PROJECT TOTALS:					4	2	1	18

GROUND MOUNTED SIGN STRUCTURE REMOVAL SCHEDULE				REMOVE GROUND MOUNTED SIGN SUPPORT	REMOVE CONCRETE FOUNDATION - GROUND MOUNT
STATION	SIDE	CATALOG NO.	NO. OF POSTS	EACH	EACH
NB I-57					
672+01	RT	P1	2	1	2
682+28	RT	ATTRACTIONS	3	1	3
693+22	RT	L1-L6	3	1	3
702+96	RT	L1-F6	3	1	3
713+21	RT	L1-G6	2	1	2
723+13	RT	P1	3	1	3
731+83	RT	D9-2	1	1	1
752+65	RT	P1	2	1	2
761+40	RT	P1	2	1	2
NB I-57 TOTALS:				9	21
SB I-57					
816+95	RT	P1	2	1	2
825+65	RT	P1	3	1	3
814+12	RT	P1	2	1	2
824+15	RT	P1	2	1	2
834+15	RT	L1-G6	2	1	2
843+53	RT	L1-F6	3	1	3
854+13	RT	L1-F6	3	1	3
866+51	RT	ATTRACTIONS	3	1	3
SB I-57 TOTALS:				8	20
EX EB IL 16					
90+00	RT	P1	2	1	2
132+20	RT	ATTRACTIONS	2	1	2

GROUND MOUNTED SIGN STRUCTURE REMOVAL SCHEDULE				REMOVE GROUND MOUNTED SIGN SUPPORT	REMOVE CONCRETE FOUNDATION - GROUND MOUNT
STATION	SIDE	CATALOG NO.	NO. OF POSTS	EACH	EACH
EX EB IL 16 TOTALS:				2	4
EX WB IL 16					
140+05	LT	P1	2	1	2
EX WB IL 16 TOTALS:				1	2
EX RAMP B					
85+00	RT	L2-G3	2	1	2
EX RAMP B TOTALS:				1	2
EX RAMP C					
132+75	RT	L2-G3	2	1	2
EX RAMP C TOTALS:				1	2
EX RAMP F					
24+37	RT	L2	2	1	2
26+55	RT	L2-L6	2	1	2
28+44	RT	L2-F6	2	1	2
30+45	RT	L2-G3	2	1	2
EX RAMP F TOTALS:				4	8
EX RAMP G					
98+87	RT	L2	2	1	2
100+88	RT	L2-L6	2	1	2
102+85	RT	L2-F6	2	1	2
104+89	RT	L2-G3	2	1	2
EX RAMP G TOTALS:				4	8
PROJECT TOTALS:				30	67

MODEL: SCHEDULES OF QUANTITIES-j (Sheet)
 FILE NAME: c:\p\work\hrtz\hrtz\1008282\074435-sheets-Schedules.dgn

USER NAME = kaleb.hirtzel	DESIGNED -	REVISED -
	DRAWN -	REVISED -
	CHECKED -	REVISED -
PLOT DATE = 8/19/2024	DATE -	REVISED -

STATE OF ILLINOIS
DEPARTMENT OF TRANSPORTATION

SCHEDULE OF QUANTITIES

SCALE: SHEET 7 OF 50 SHEETS STA. TO STA.

F.A.I RTE.	SECTION	COUNTY	TOTAL SHEETS	SHEET NO.
57	(15-22HB-4)BR (15-22)R	COLES	1086	39
CONTRACT NO. 74435				
ILLINOIS FED. AID PROJECT				

SIGN REMOVAL SCHEDULE I-57				REMOVE SIGN PANEL - TYPE 1	REMOVE SIGN PANEL - TYPE 2	REMOVE SIGN PANEL - TYPE 3	REMOVE SIGN PANEL ASSEMBLY - TYPE B
STATION	SIDE	CATALOG NO.	SIZE	SQ FT	SQ FT	SQ FT	EACH
			INCHES				
NB I-57							
672+01	RT	P1	192X186	-	-	248.0	-
682+28	RT	ATTRACTIONS	216X144	-	-	216.0	-
693+22	RT	L1-L6	216X120	-	-	180.0	-
702+96	RT	L1-F6	216X120	-	-	180.0	-
713+21	RT	190A	24X12	2.0	-	-	-
713+21	RT	D9-5A	36X36	9.0	-	-	-
713+21	RT	L1-G6	144X144	-	-	144.0	-
723+13	RT	D9-I105	30X15	3.1	-	-	-
723+13	RT	I-7	30X30	6.3	-	-	-
723+13	RT	P1	192X186	-	-	248.0	-
731+83	RT	D13-1	48X36	-	-	-	1
		D9-2	48X48	-	-	-	
752+65	RT	P1	192X162	-	-	216.0	-
761+40	RT	P1	192X138	-	-	184.0	-
778+50	RT	E13-1	96X30	-	20.0	-	-
778+50	RT	D-9-I105A	108X60	-	-	45.0	-

SIGN REMOVAL SCHEDULE I-57				REMOVE SIGN PANEL - TYPE 1	REMOVE SIGN PANEL - TYPE 2	REMOVE SIGN PANEL - TYPE 3	REMOVE SIGN PANEL ASSEMBLY - TYPE B
STATION	SIDE	CATALOG NO.	SIZE	SQ FT	SQ FT	SQ FT	EACH
			INCHES				
NB I-57							
785+45	RT	W4-1R	48X48	-	16.0	-	-
793+60	RT	EXIT 190 B	108X60	-	-	45.0	-
798+60	RT	W4-1R	48X48	-	16.0	-	-
809+80	RT	D10-6	12X48	4.0	-	-	-
820+62	RT	M3-1	30X15	-	-	-	1
		M1-1	36X36	-	-	-	
NB I-57 TOTALS:				24.4	52.0	1706.0	2
SB I-57							
762+00	LT	M3-3	30X15	-	-	-	1
		M1-1	36X36	-	-	-	
779+50	LT	W4-1R	48X48	-	16.0	-	-
783+85	LT	D9-I105A	108X60	-	-	45.0	-
792+00	LT	W4-1R	48X48	-	16.0	-	-
798+52	LT	D9-I105A	108X60	-	-	45.0	-
809+71	LT	D10-6	12X48	4.0	-	-	-
814+12	LT	P1	144X84	-	-	84.0	-
816+95	LT	P1	192X138	-	-	184.0	-

SIGN REMOVAL SCHEDULE I-57				REMOVE SIGN PANEL - TYPE 1	REMOVE SIGN PANEL - TYPE 2	REMOVE SIGN PANEL - TYPE 3	REMOVE SIGN PANEL ASSEMBLY - TYPE B
STATION	SIDE	CATALOG NO.	SIZE	SQ FT	SQ FT	SQ FT	EACH
			INCHES				
824+15	LT	I-7	30X30	6.3	-	-	-
824+15	LT	D9-I105	30X15	3.1	-	-	-
824+15	LT	P1	192X186	-	-	248.0	-
825+65	LT	P1	192X162	-	-	216.0	-
825+65	LT	TOURIST INFO	180X24	-	-	30.0	-
834+15	LT	190A	24X12	2.0	-	-	-
834+15	LT	D9-5A	36X36	9.0	-	-	-
834+15	LT	L1-G6	180X144	-	-	180.0	-
835+30	LT	EXIT 190 A	48X30	-	-	-	1
		D9-2	48X48	-	-	-	
843+53	LT	L1-F6	192X120	-	-	160.0	-
854+13	LT	L1-L6	192X120	-	-	160.0	-
866+51	LT	ATTRACTIONS	168X144	-	-	168.0	-
SB I-57 TOTALS:				24.4	32.0	1520.0	2
I-57 TOTALS:				48.8	84.0	3226.0	4

SIGN REMOVAL SCHEDULE EX I-57 ENTRANCE RAMP				REMOVE SIGN PANEL - TYPE 1	REMOVE SIGN PANEL - TYPE 2
STATION	SIDE	CATALOG NO.	SIZE	SQ FT	SQ FT
			INCHES		
EX RAMP A					
76+50	RT	W13-3	48X60	-	20.0
76+86	LT	R5-I100	48X60	-	20.0
77+50	LT	W1-8	30X36	7.5	-
78+00	LT	W1-8	30X36	7.5	-
78+68	LT	W1-8	30X36	7.5	-
79+60	LT	W1-8	30X36	7.5	-
80+20	LT	W1-8	30X36	7.5	-
80+97	LT	W1-8	30X36	7.5	-
81+74	LT	W1-8	30X36	7.5	-
82+48	LT	W1-8	30X36	7.5	-
83+26	LT	W1-8	30X36	7.5	-
84+01	LT	W1-8	30X36	7.5	-
84+76	LT	W1-8	30X36	7.5	-
EX RAMP A TOTALS:				82.5	40.0
EX RAMP D					
40+55	RT	R5-I101	48X60	-	20.0
41+15	LT	W1-8	30X36	7.5	-

SIGN REMOVAL SCHEDULE EX I-57 ENTRANCE RAMP				REMOVE SIGN PANEL - TYPE 1	REMOVE SIGN PANEL - TYPE 2
STATION	SIDE	CATALOG NO.	SIZE	SQ FT	SQ FT
			INCHES		
41+90	LT	W1-8	30X36	7.5	-
42+45	RT	R8-3	24X30	5.0	-
42+70	LT	W1-8	30X36	7.5	-
43+55	LT	W1-8	30X36	7.5	-
44+25	LT	W1-8	30X36	7.5	-
45+00	LT	W1-8	30X36	7.5	-
45+41	RT	R1-2	36X36	9.0	-
45+41	LT	W4-1R	48X48	-	16.0
45+70	LT	W1-8	30X36	7.5	-
47+40	RT	W1-8	30X36	7.5	-
48+20	RT	W1-8	30X36	7.5	-
49+05	RT	W1-8	30X36	7.5	-
49+85	RT	W1-8	30X36	7.5	-
51+70	LT	W1-8	30X36	7.5	-
52+45	LT	W1-8	30X36	7.5	-
53+20	LT	W1-8	30X36	7.5	-
53+90	LT	W1-8	30X36	7.5	-
EX RAMP D TOTALS:				126.5	36.0

SIGN REMOVAL SCHEDULE EX I-57 ENTRANCE RAMP				REMOVE SIGN PANEL - TYPE 1	REMOVE SIGN PANEL - TYPE 2
STATION	SIDE	CATALOG NO.	SIZE	SQ FT	SQ FT
			INCHES		
EX RAMP E					
111+00	RT	W13-3	48X60	-	20.0
111+10	LT	R5-I100	48X60	-	20.0
111+90	LT	W1-8	30X36	7.5	-
112+60	LT	W1-8	30X36	7.5	-
113+30	LT	W1-8	30X36	7.5	-
114+10	LT	W1-8	30X36	7.5	-
114+80	LT	W1-8	30X36	7.5	-
115+50	LT	W1-8	30X36	7.5	-
116+20	LT	W1-8	30X36	7.5	-
116+90	LT	W1-8	30X36	7.5	-
117+70	LT	W1-8	30X36	7.5	-
118+40	LT	W1-8	30X36	7.5	-
119+05	LT	W1-8	30X36	7.5	-
EX RAMP E TOTALS:				82.5	40.0
EX RAMP H					
785+00	LT	W1-8	30X36	7.5	-
785+51	RT	R5-I101	48X60	-	20.0

SIGN REMOVAL SCHEDULE EX I-57 ENTRANCE RAMP				REMOVE SIGN PANEL - TYPE 1	REMOVE SIGN PANEL - TYPE 2
STATION	SIDE	CATALOG NO.	SIZE	SQ FT	SQ FT
			INCHES		
785+75	LT	W1-8	30X36	7.5	-
786+50	LT	W1-8	30X36	7.5	-
786+80	RT	R8-3	24X30	5.0	-
787+30	LT	W1-8	30X36	7.5	-
788+05	LT	W1-8	30X36	7.5	-
788+80	LT	W1-8	30X36	7.5	-
789+43	RT	R1-2	36X36	9.0	-
789+43	LT	W4-1R	48X48	-	16.0
791+15	RT	W1-8	30X36	7.5	-
791+96	RT	W1-8	30X36	7.5	-
792+74	RT	W1-8	30X36	7.5	-
793+53	LT	W1-8	30X36	7.5	-
794+95	LT	W1-8	30X36	7.5	-
795+96	LT	W1-8	30X36	7.5	-
796+57	LT	W1-8	30X36	7.5	-
797+38	LT	W1-8	30X36	7.5	-
EX RAMP H TOTALS:				119.0	36.0
EX I-57 ENTRANCE RAMP TOTALS:				410.5	152.0

MODEL: SCHEDULES OF QUANTITIES-7 (Sheet)
FILE NAME: c:\pdx\work\ibrr\ibrrsch\106282\074435-sheets-Schedules.dgn

USER NAME = kaleb.hirtzel	DESIGNED -	REVISED -
	DRAWN -	REVISED -
	CHECKED -	REVISED -
PLOT DATE = 8/19/2024	DATE -	REVISED -

**STATE OF ILLINOIS
DEPARTMENT OF TRANSPORTATION**

SCHEDULE OF QUANTITIES

SCALE: SHEET 8 OF 50 SHEETS STA. TO STA.

F.A.I RTE. 57	SECTION (15-22HB-4)BR (15-22)R	COUNTY COLES	TOTAL SHEETS 1086	SHEET NO. 40
CONTRACT NO. 74435				
ILLINOIS FED. AID PROJECT				

SIGN REMOVAL IL 16				REMOVE SIGN PANEL - TYPE 1	REMOVE SIGN PANEL - TYPE 2	REMOVE SIGN PANEL - TYPE 3	REMOVE SIGN PANEL ASSEMBLY - TYPE A	REMOVE SIGN PANEL ASSEMBLY - TYPE B
STATION	SIDE	CATALOG NO.	SIZE	SQ FT	SQ FT	SQ FT	EACH	EACH
			INCHES					
EX EB IL 16								
90+00	RT	P1	168X114	-	-	133.0	-	-
96+75	RT	R2-1	36X48	12.0	-	-	-	-
100+50	RT	W13-3	48X60	-	20.0	-	-	-
104+92	LT	W3-3 (O)	48X48	-	16.0	-	-	-
104+92	RT	W3-3 (O)	48X48	-	16.0	-	-	-
105+67	LT	W12-2	36X36	9.0	-	-	-	-
105+67	RT	W12-2	36X36	9.0	-	-	-	-
106+92	LT	M3-1	30X15	-	-	-	-	-
		M1-12	36X36	-	-	-	-	1
		M6-3(O)	30X18	-	-	-	-	-
106+92	RT	M3-1	30X15	-	-	-	-	-
		M1-12	36X36	-	-	-	-	1
		M6-3(O)	30X18	-	-	-	-	-
108+00	LT	R3-2	36X36	9.0	-	-	-	
112+20	RT	W4-1R	48X48	-	16.0	-	-	
114+10	ON BRIDGE	W12-1100A	72X24	-	12.0	-	-	
117+90	LT	M3-1	30X15	-	-	-	-	-
		M1-12	36X36	-	-	-	-	1
		M6-1L(O)	30X18	-	-	-	-	-
119+12	RT	M3-1	30X15	-	-	-	-	-
		M1-1	36X36	-	-	-	-	1
119+12	RT	M6-2R	30X18	-	-	-	-	-
		M6-3(O)	30X18	-	-	-	-	-
119+70	LT	R3-8	48X30	-	10.0	-	-	
119+70	RT	R3-8	48X30	-	10.0	-	-	
120+90	RT	R3-1	36X36	9.0	-	-	-	
121+54	LT	M3-1	30X15	-	-	-	-	-
		M1-12	36X36	-	-	-	-	1
		M6-1L(O)	30X18	-	-	-	-	-
123+39	RT	W4-1R	48X48	-	16.0	-	-	
132+20	RT	P1-1	186X90	-	-	116.3	-	
132+20	RT	ATTRACTIONS	150X60	-	-	62.5	-	
138+35	RT	R2-1	36X48	-	12.0	-	-	
140+65	RT	D9-2	36X36	-	-	-	-	-
		D5-5B	36X12	-	-	-	-	1
		M6-3	30X18	-	-	-	-	-

SIGN REMOVAL IL 16				REMOVE SIGN PANEL - TYPE 1	REMOVE SIGN PANEL - TYPE 2	REMOVE SIGN PANEL - TYPE 3	REMOVE SIGN PANEL ASSEMBLY - TYPE A	REMOVE SIGN PANEL ASSEMBLY - TYPE B
STATION	SIDE	CATALOG NO.	SIZE	SQ FT	SQ FT	SQ FT	SQ FT	EACH
			INCHES					
142+75	RT	W3-3	48X48	-	-	-	-	1
		R5-1A	36X24	-	-	-	-	-
143+80	RT	R5-1	36X36	9.0	-	-	-	
EX EB IL 16 TOTALS:				57.0	128.0	311.8	0	7
EX WB IL 16								
94+40	RT	04-1100	30X24	-	-	-	-	-
		M6-1R	21X15	-	-	-	1	-
94+40	LT	R2-1	36X48	-	12.0	-	-	
100+55	LT	W3-3	48X48	-	16.0	-	-	
100+55	RT	W3-3	48X48	-	16.0	-	-	
105+65	LT	W4-1R	48X48	-	16.0	-	-	
107+97	RT	M3-1	30X15	-	-	-	-	-
		M1-12	36X36	-	-	-	-	1
		M6-1L(O)	30X18	-	-	-	-	-
108+60	LT	R3-1	36X36	9.0	-	-	-	
109+22	LT	R2-1	36X48	-	12.0	-	-	
109+78	LT	R3-8	48X30	-	10.0	-	-	
109+78	RT	R3-8	48X30	-	10.0	-	-	
111+52	RT	M3-1	30X15	-	-	-	-	-
		M1-12	36X36	-	-	-	-	1
		M6-1L(O)	30X18	-	-	-	-	-
117+60	LT	W4-1R	48X48	-	16.0	-	-	
117+70	LT	W24-1A (O)	48X48	-	16.0	-	-	
117+70	RT	W24-1A (O)	48X48	-	16.0	-	-	
121+49	LT	R3-2	36X36	9.0	-	-	-	
122+54	LT	M3-1	30X15	-	-	-	-	-
		M1-12	36X36	-	-	-	-	1
		M6-3(O)	30X18	-	-	-	-	-
122+54	RT	M3-1	30X15	-	-	-	-	-
		M1-12	36X36	-	-	-	-	1
		M6-3(O)	30X18	-	-	-	-	-
124+59	LT	W3-3 (O)	48X48	-	16.0	-	-	
124+59	RT	W3-3 (O)	48X48	-	16.0	-	-	
140+05	LT	P1	168X114	-	-	133.0	-	
EX WB IL 16 TOTALS:				18.0	172.0	133.0	1	4
IL 16 TOTALS:				75.0	300.0	444.8	1	11

SIGN REMOVAL TEMPORARY RAMPS				REMOVE SIGN PANEL - TYPE 1	REMOVE SIGN PANEL ASSEMBLY - TYPE B
STATION	SIDE	CATALOG	SIZE	SQ FT	EACH
		NO.	INCHES		
NW TEMPORARY RAMP					
6002+47	LT	R5-1A	36X24	6.0	-
6002+47	RT	R5-1A	36X24	6.0	-
6003+47	LT	R6-1R	36X12	-	1
		R6-1L	36X12	-	-
		R5-1	36X36	-	-
6003+47	RT	R6-1R	36X12	-	1
		R6-1L	36X12	-	-
		R5-1	36X36	-	-
NW TEMPORARY RAMP TOTALS:				12.0	2
SE TEMPORARY RAMP					
8002+20	LT	R5-1A	36X24	6.0	-
8002+20	RT	R5-1A	36X24	6.0	-
8003+20	LT	R6-1R	36X12	-	1
		R6-1L	36X12	-	-
		R5-1	36X36	-	-
8003+20	RT	R6-1R	36X12	-	1
		R6-1L	36X12	-	-
		R5-1	36X36	-	-
SE TEMPORARY RAMP TOTALS:				12.0	2
TEMPORARY RAMP TOTALS:				24.0	4

MODEL: SCHEDULES OF QUANTITIES-S (Sheet)
 FILE NAME: c:\pdx_work\pdx\hrtz\hrtz\kld0062852\071435-sheets-Schedules.dgn

USER NAME = kaleb.hirtzel	DESIGNED -	REVISED -
	DRAWN -	REVISED -
	CHECKED -	REVISED -
PLOT DATE = 8/19/2024	DATE -	REVISED -

**STATE OF ILLINOIS
DEPARTMENT OF TRANSPORTATION**

SCHEDULE OF QUANTITIES

SCALE: SHEET 9 OF 50 SHEETS STA. TO STA.

F.A.I RTE.	SECTION	COUNTY	TOTAL SHEETS	SHEET NO.
57	(15-22HB-4)BR (15-22)R	COLES	1086	41
CONTRACT NO. 74435				
ILLINOIS FED. AID PROJECT				

SIGN REMOVAL EX I-57 EXIT RAMP B				REMOVE SIGN PANEL - TYPE 1	REMOVE SIGN PANEL - TYPE 2	REMOVE SIGN PANEL - TYPE 3	REMOVE SIGN PANEL ASSEMBLY - TYPE B
STATION	SIDE	CATALOG NO.	SIZE	SQ FT	SQ FT	SQ FT	EACH
				INCHES			
EX RAMP B							
78+93	RT	R8-3	24X30	5.0	-	-	-
78+93	RT	W13-3	48X60	-	20.0	-	-
79+30	LT	W1-8	30X36	7.5	-	-	-
80+10	LT	W1-8	30X36	7.5	-	-	-
80+90	LT	W1-8	30X36	7.5	-	-	-
81+70	LT	W1-8	30X36	7.5	-	-	-
82+50	LT	W1-8	30X36	7.5	-	-	-
84+50	LT	M3-9	30X15	-	-	-	1
		M1-I100	36X36				
		M6-2L	30X18				
		M3-2	30X15				
		M1-I100	36X36				
84+60	RT	W1-8	30X36	7.5	-	-	-
85+00	RT	D9-5B	18X18	2.3	-	-	-
85+00	RT	L2-G3	102X60	-	-	42.5	-
85+40	RT	W1-8	30X36	7.5	-	-	-
86+20	RT	W1-8	30X36	7.5	-	-	-
86+90	RT	W1-8	30X36	7.5	-	-	-
87+00	LT	W3-3(O)	48X48	-	16.0	-	-
88+52	LT	W12-1(O)	48X48	-	16.0	-	-
88+70	LT	W1-8	30X36	7.5	-	-	-
89+50	LT	W1-8	30X36	7.5	-	-	-
90+25	LT	W1-8	30X36	7.5	-	-	-
EX RAMP B TOTALS:				97.3	52.0	42.5	1
EX RAMP C							
127+10	RT	W13-3	48X60	-	20.0	-	-
128+07	LT	W1-8	30X36	7.5	-	-	-
128+92	LT	W1-8	30X36	7.5	-	-	-
129+57	RT	W12-2	48X48	-	16.0	-	-

SIGN REMOVAL EX I-57 EXIT RAMP C				REMOVE SIGN PANEL - TYPE 1	REMOVE SIGN PANEL - TYPE 2	REMOVE SIGN PANEL - TYPE 3	REMOVE SIGN PANEL ASSEMBLY - TYPE B
STATION	SIDE	CATALOG NO.	SIZE	SQ FT	SQ FT	SQ FT	EACH
				INCHES			
129+60	LT	W1-8	30X36	7.5	-	-	-
129+60	LT	W12-2	48X48	-	16.0	-	-
130+95	LT	W1-8	30X36	7.5	-	-	-
131+70	LT	W1-8	30X36	7.5	-	-	-
132+20	LT	W1-8	30X36	7.5	-	-	-
132+75	RT	D9-5B	18X18	2.3	-	-	-
132+75	LT	W1-8	30X36	7.5	-	-	-
132+75	RT	L2-G3	102X60	-	-	42.5	-
133+60	LT	W1-8	30X36	7.5	-	-	-
134+35	LT	W1-8	30X36	7.5	-	-	-
135+15	LT	W1-8	30X36	7.5	-	-	-
135+85	LT	W1-8	30X36	7.5	-	-	-
136+75	LT	W1-8	30X36	7.5	-	-	-
137+55	LT	W1-8	30X36	7.5	-	-	-
EX RAMP C TOTALS:				99.8	52.0	42.5	0
EX RAMP F							
12+05	LT	W1-8	30X36	7.5	-	-	-
12+85	LT	W1-8	30X36	7.5	-	-	-
13+65	LT	W1-8	30X36	7.5	-	-	-
14+50	LT	W1-8	30X36	7.5	-	-	-
15+30	LT	W1-8	30X36	7.5	-	-	-
16+60	LT	M3-2	30X15	-	-	-	1
		M1-I100	36X36				
		M6-2L	30X18				
		M3-9	30X15				
		M1-I100	36X36				
17+35	RT	W1-8	30X36	7.5	-	-	-
18+15	RT	W1-8	30X36	7.5	-	-	-
19+00	RT	W1-8	30X36	7.5	-	-	-
19+00	LT	W3-3(O)	48X48	-	16.0	-	-

SIGN REMOVAL EX I-57 EXIT RAMP D				REMOVE SIGN PANEL - TYPE 1	REMOVE SIGN PANEL - TYPE 2	REMOVE SIGN PANEL - TYPE 3	REMOVE SIGN PANEL ASSEMBLY - TYPE B
STATION	SIDE	CATALOG NO.	SIZE	SQ FT	SQ FT	SQ FT	EACH
				INCHES			
21+00	LT	W1-8	30X36	7.5	-	-	-
21+75	LT	W1-8	30X36	7.5	-	-	-
22+09	LT	W12-1(O)	48X48	-	16.0	-	-
22+60	LT	W1-8	30X36	7.5	-	-	-
23+30	LT	W1-8	30X36	7.5	-	-	-
24+37	RT	L2	108X60	-	-	45.0	-
26+55	RT	L2-L6	144X96	-	-	96.0	-
28+44	RT	L2-F6	102X96	-	-	68.0	-
30+45	RT	L2-G3	102X60	-	-	42.5	-
EX RAMP D TOTALS:				90.0	32.0	251.5	1
EX RAMP G							
92+80	RT	W13-3	48X60	-	20.0	-	-
93+75	LT	W1-8	30X36	7.5	-	-	-
94+50	LT	W1-8	30X36	7.5	-	-	-
95+34	LT	W1-8	30X36	7.5	-	-	-
96+09	LT	W1-8	30X36	7.5	-	-	-
96+84	LT	W1-8	30X36	7.5	-	-	-
97+57	LT	W1-8	30X36	7.5	-	-	-
98+32	LT	W1-8	30X36	7.5	-	-	-
98+87	RT	L2	108X60	-	-	45.0	-
99+00	LT	W1-8	30X36	7.5	-	-	-
99+81	LT	W1-8	30X36	7.5	-	-	-
100+30	LT	W1-8	30X36	7.5	-	-	-
100+88	RT	L2-L6	96X96	-	-	64.0	-
101+20	LT	W1-8	30X36	7.5	-	-	-
101+95	LT	W1-8	30X36	7.5	-	-	-
102+85	LT	W1-8	30X36	7.5	-	-	-
102+85	RT	L2-F6	96X96	-	-	64.0	-
104+89	RT	L2-G3	102X60	-	-	42.5	-
EX RAMP G TOTALS:				97.5	20.0	215.5	0
EX I-57 EXIT RAMP TOTALS:				384.5	156.0	552.0	2

MODEL: SCHEDULES OF QUANTITIES-0 (Sheet)
FILE NAME: c:\p\work\hrtz\hrtz\id0852852\074435-sheets-Schedules.dgn

USER NAME = kaleb.hirtzel	DESIGNED -	REVISED -
	DRAWN -	REVISED -
	CHECKED -	REVISED -
PLOT DATE = 8/19/2024	DATE -	REVISED -

**STATE OF ILLINOIS
DEPARTMENT OF TRANSPORTATION**

SCHEDULE OF QUANTITIES

SCALE: SHEET 10 OF 50 SHEETS STA. TO STA.

F.A.I RTE.	SECTION	COUNTY	TOTAL SHEETS	SHEET NO.
57	(15-22HB-4)BR (15-22)R	COLES	1086	42
CONTRACT NO. 74435				
ILLINOIS FED. AID PROJECT				

EARTHWORK SCHEDULE PRE-STAGE	EARTH EXCAVATION	EARTH EXCAVATION ADJUSTED FOR SHRINKAGE (25%)	EARTH FILL	EARTHWORK BALANCE, WASTE (+) OR SHORTAGE (-)	TOPSOIL EXCAVATION AND PLACEMENT
NW TEMP RAMP (SB EXIT)	136.2	102.1	1550.4	-1448.2	-
NE TEMP RAMP (NB ENT)	519.1	389.3	215.0	174.3	-
SE TEMP RAMP (NB EXIT)	134.2	100.7	483.4	-382.7	-
SW TEMP RAMP (SB ENT)	141.8	106.4	1376.3	-1270.0	-
W MEDIAN LT TURN LANE	66.9	50.2	13.2	37.0	-
W MEDIAN W/ ADJACENT GRADING	1.7	1.3	198.1	-196.9	-
E MEDIAN LT TURN LANE	212.4	159.3	15.5	143.8	-
E MEDIAN W/ ADJACENT GRADING	62.0	46.5	24.2	22.2	-
NW IL 16 BRIDGE TEMP G.R. STA 792+04-792+88	5.5	4.1	2.4	1.6	-
NW LPGT BRIDGE TEMP G.R. STA 811+74-812+08	5.4	4.0	0.6	3.4	-
NW IL 316 BRIDGE TEMP G.R. STA 817+79-818+63	5.3	4.0	9.0	-5.0	-
PR BIKE PATH BOX CULVERT	0.0	0.0	6076.0	-6076.0	-
BOX CULVERT EXT. LT SIDE	3.7	2.8	222.3	-219.5	-
BOX & PIPE EXT RT SIDE	92.2	69.2	75.2	-6.1	-
SOUTH I-57 CROSS-OVER	-	-	-	-	211
NORTH I-57 CROSS-OVER	-	-	-	-	160
WEST IL 16 CROSSOVER	-	-	-	-	144
EAST IL 16 CROSSOVER	-	-	-	-	144
PRE-STAGE TOTALS:	1386.4	-	-	-9221.9	659.0

EARTHWORK SCHEDULE STAGES 1, 2 & PRE-STAGE 3			EARTH EXCAVATION	EARTH EXCAVATION ADJUSTED FOR SHRINKAGE (25%)	EARTH FILL	EARTHWORK BALANCE, WASTE (+) OR SHORTAGE (-)	TOPSOIL EXCAVATION AND PLACEMENT
STATIONING		SIDE					
FROM	TO			CU YD	CU YD	CU YD	CU YD
SB I-57 - STAGE 1							
763+56.86	787+56.86	LT	12471.0	9353.3	8408.1	945.1	4093.7
763+56.86	787+56.86	RT	6.5	4.8	1626.5	-1621.7	269.1
787+56.86	789+78.86	LT	49.6	37.2	1664.5	-1627.3	-
787+56.86	789+78.86	RT	1.7	1.3	737.2	-735.9	-
789+78.86	822+78.86	LT	18227.7	13670.8	59613.8	-45943.0	4899.6
789+78.86	822+78.87	RT	270.5	202.8	4920.4	-4717.6	341.3
STAGE 1 TOTALS:			31026.9	-	-	-53700.3	9603.7
NB I-57 - STAGE 2							
767+45.00	788+45.00	LT	36.9	27.7	1864.4	-1836.7	227.6
767+45.00	788+45.00	RT	23427.6	17570.7	9015.6	8555.1	4528.1
789+05.00	814+05.00	LT	232.4	174.3	2710.7	-2536.4	315.2
789+05.00	814+05.00	RT	17921.3	13441.0	49280.8	-35839.9	4740.4
STAGE 2 TOTALS:			41618.1	-	-	-31657.8	9811.3
SB I-57 (NW QUAD) - PRE-STAGE 3							
789+34.00	798+34.00	LT	13838.6	10379.0	376.5	10002.5	342.0
SB I-57 (SW QUAD) - PRE-STAGE 3							
781+29.50	788+29.50	LT	10960.8	8220.6	681.3	7539.3	259.0
IL 16 (MEDIAN) - PRE-STAGE 3							
106+25.00	110+25.00	LT/RT	180.8	135.6	227.1	-91.5	75.6
114+60.00	115+18.00	LT/RT	0.0	0.0	35.2	-35.2	0.0
PRE-STAGE 3 TOTALS:			24980.2	-	-	17415.2	676.5

EARTHWORK SCHEDULE STAGE 3	EARTH EXCAVATION	EARTH EXCAVATION ADJUSTED FOR SHRINKAGE (25%)	EARTH FILL	EARTHWORK BALANCE, WASTE (+) OR SHORTAGE (-)	TOPSOIL EXCAVATION AND PLACEMENT	TOPSOIL FURNISH AND PLACE, 4"
STAGE	CU YD	CU YD	CU YD	CU YD	CU YD	SQ YD
PRE-STAGE 3 CARRYOVER	-	-	-	17415.2	-	-
STAGE 3A	14531.3	10898.5	26820.7	-15922.3	1999.2	-
STAGE 3A TOTALS:	14531.3	-	-	1492.9	1999.2	-
STAGE 3A CARRYOVER	-	-	-	1492.9	-	-
STAGE 3B	21483.6	16112.7	39324.0	-23211.3	3138.6	-
STAGE 3B TOTALS:	21483.6	-	-	-21718.3	3138.6	-
STAGE 3B CARRYOVER	-	-	-	-	-	-
STAGE 3C	8951.3	6713.5	12317.9	-5604.4	-	-
STAGE 3C X-OVER REMOVAL	5166.3	5166.3	0.0	5166.3	-	-
STAGE 3C TOTALS:	14117.6	-	-	-5604.4	-	-
STAGE 3C CARRYOVER	-	-	-	-	-	-
STAGE 3E	26297.3	19722.9	5240.7	14482.2	1022.4	-
STAGE 3E TOTALS:	26297.3	-	-	14482.2	1022.4	-
STAGE 3E CARRYOVER	-	-	-	14482.2	-	-
STAGE 3F	39340.2	29505.2	3734.3	25770.8	-	3997.9
STAGE 3F TOTALS:	39340.2	-	-	40253.0	-	3997.9
STAGE 3 TOTALS:	115769.9	-	-	40253.0	6160.2	3997.9

EARTHWORK SCHEDULE SUMMARY	EARTH EXCAVATION	EARTH EXCAVATION ADJUSTED FOR SHRINKAGE (25%)	EARTH FILL	EARTHWORK BALANCE, WASTE (+) OR SHORTAGE (-)	TOPSOIL EXCAVATION AND PLACEMENT	TOPSOIL FURNISH AND PLACE, 4"
STAGE	CU YD	CU YD	CU YD	CU YD	CU YD	SQ YD
PRE-STAGE	1386.4	1039.8	10261.7	-9221.9	659.0	-
STAGE 1	31026.9	23270.2	76970.5	-53700.3	9603.7	-
STAGE 2	41618.1	31213.6	62871.4	-31657.8	9811.3	-
PRE-STAGE 3	24980.2	18735.2	1320.0	17415.2	676.5	-
STAGE 3	115769.9	86827.5	87437.7	40253.0	6160.2	3997.9
PROJECT TOTALS:	214782	-	-	121903	26911	3998

PERIMETER EROSION BARRIER SCHEDULE - STAGES 1 & 2				PERIMETER EROSION BARRIER
FROM STATION	OFFSET	TO STATION	OFFSET	
				FOOT
SB I-57 - STAGE 1				
764+00	29' LT	767+35	40.6' LT	335
807+38	111.5' LT	807+84	98' LT	46
807+84	98' LT	808+10	67.3' LT	26
808+26	61' LT	808+84	87.4' LT	58
808+84	87.4' LT	813+10	87.4' LT	426
STAGE 1 TOTAL:				891
NB 57 - STAGE 2				
813+50	28.6' RT	813+95	25' RT	45
NB 57 TOTAL:				45
RAMP B - STAGE 2				
3012+17	101.1' RT	3018+00	81.5' RT	583
3018+30	88.5' RT	3019+59	71.2' RT	129
3019+77	69.4' RT	3024+72	15.6' RT	495
RAMP B TOTAL:				1207
STAGE 2 TOTAL:				1252
PROJECT TOTAL:				2143

MODEL: SCHEDULES OF QUANTITIES-10 (Sheet)
FILE NAME: c:\pwworking\hrtz\hrtz\1085282\0774435-sheets-Schedules.dgn

USER NAME = kaleb.hirtzel	DESIGNED -	REVISED -
	DRAWN -	REVISED -
	CHECKED -	REVISED -
PLOT DATE = 8/19/2024	DATE -	REVISED -

STATE OF ILLINOIS
DEPARTMENT OF TRANSPORTATION

SCHEDULE OF QUANTITIES

SCALE: SHEET 11 OF 50 SHEETS STA. TO STA.

F.A.I. RTE.	SECTION	COUNTY	TOTAL SHEETS	SHEET NO.
57	(15-22HB-4)BR (15-22)R	COLES	1086	43
CONTRACT NO. 74435				
ILLINOIS FED. AID PROJECT				

TEMPORARY SEEDING SCHEDULE - PRE-STAGE					TEMPORARY EROSION CONTROL SEEDING
ROUTE	STATIONING		SIDE	AREA	POUND
	FROM	TO		ACRES	
NW TEMP RAMP	6002+63	6003+48	RT	0.05	19.6
NW TEMP RAMP	6000+00	6003+51	LT	0.17	66.5
NE TEMP RAMP	7000+00	7004+52	RT	0.19	77.7
NE TEMP RAMP	7001+43	7004+52	LT	0.10	38.8
SE TEMP RAMP	8001+41	8003+23	RT	0.04	14.1
SE TEMP RAMP	8000+00	8003+23	LT	0.05	21.7
SW TEMP RAMP	9000+00	9004+17	RT	0.11	44.9
SW TEMP RAMP	9001+46	9004+17	LT	0.08	30.5
EX IL 16	94+71	104+42	CL	0.27	107.1
EX IL 16	130+33	137+04	CL	0.27	107.1
EX I-57	740+41	748+59	CL	0.39	78.4
EX I-57	843+03	849+37	CL	0.30	59.6
SB 57 BOX EXT	805+99	806+71	LT	0.08	32.0
NB 57 BOX EXT	806+52	808+06	RT	0.05	21.5
SB 57 BIKE BOX	807+57	808+82	LT	0.13	52.6
NB 57 BIKE BOX	807+89	809+35	RT	0.14	55.2
PRE-STAGE TOTAL:					827.2

TEMPORARY SEEDING SCHEDULE - STAGES 1 & 2					TEMPORARY EROSION CONTROL SEEDING
ROUTE	STATIONING		SIDE	AREA	POUND
	FROM	TO		ACRES	
STAGE 1					
EX RAMP D	51+31	67+04	RT	0.02	9.5
SB I-57	764+00	766+97	LT	1.32	527.3
SW INFIELD/SB I-57	779+45	788+06	LT	8.29	3318.0
NW INFIELD/SB I-57	798+19	799+15	LT	6.81	2722.2
EX RAMP F	14+06	15+78	RT	3.21	1285.4
SB I-57	805+93	813+12	LT	0.88	353.3
SB I-57	779+36	788+13	RT	0.51	204.1
SB I-57	789+18	799+42	RT	0.59	234.8
STAGE 1 TOTAL:					8654.5
STAGE 2					
RAMP C	4000+00	4006+60	RT	0.50	199.6
EX RAMP B	74+11	86+11	RT	1.85	738.7
NB 57	778+48	787+72	LT	0.37	146.6
SE INFIELD/NB 57	778+18	788+12	RT	7.27	2906.5
NE INFIELD/NB 57	789+16	798+45	RT	8.28	3310.1
NB 57	789+16	798+90	LT	0.61	243.6
EX RAMP H	796+31	800+74	RT	0.93	373.0
RAMP B	3011+98	3024+72	RT	1.21	484.6
STAGE 2 TOTAL:					8402.8

TEMPORARY SEEDING SCHEDULE - STAGE 3					TEMPORARY EROSION CONTROL SEEDING
ROUTE	STATIONING		SIDE	AREA	POUND
	FROM	TO		ACRES	
STAGE 3A					
EX IL 16 MEDIAN	102+63	128+02	LT/RT	1.35	270.5
WB IL 16	106+10	111+15	LT	0.22	44.3
RAMP A	2018+50	2019+04	RT	0.61	121.5
RAMP A	2018+50	2019+78	LT	0.77	153.1
WB IL 16	111+76	114+48	LT	0.26	52.1
RAMP B	3001+41	3002+98	LT	0.44	87.8
WB IL 16	115+92	118+63	LT	0.27	53.7
RAMP B	3000+00	3003+11	RT	1.86	371.5
WB IL 16	119+24	126+52	LT	0.04	7.0
EX RAMP H	777+26	790+02	RT	1.41	281.3
WB IL 16	132+71	137+55	LT	0.80	159.5
STAGE 3A TOTAL:					1602.3
STAGE 3B					
EB IL 16	92+23	110+00	RT	1.93	385.4
EB IL 16	102+06	110+75	LT	0.47	94.7
BIKE PATH	500+00	502+39	LT	0.04	8.8
BIKE PATH	500+00	521+61	RT	1.40	280.2
RAMP D	5002+38	5011+76	LT	0.90	179.7
RAMP D	5000+00	5011+76	RT	1.61	322.8
EX RAMP D	45+47	51+31	LT/RT	1.19	238.8
RAINDROP	100+00	114+52	LT	0.24	48.3
RAINDROP	105+20	109+17	LT	0.23	45.1
BIKE PATH	522+62	524+53	LT	2.35	469.5
BIKE PATH	522+62	525+40	RT	0.35	69.3
BIKE PATH	527+39	529+70	LT	0.21	41.6
BIKE PATH	526+84	529+70	RT	0.57	114.3
EB IL 16	119+60	121+65	LT	0.11	22.2
RAMP C	4006+60	4018+31	LT	1.37	274.7
RAMP C	4006+60	4018+31	RT	3.16	631.1
BIKE PATH	530+20	556+82	LT	2.28	456.8
BIKE PATH	530+20	556+82	RT	2.50	499.8
STAGE 3B TOTAL:					4183.0
STAGE 3C					
WB IL 16	109+32	110+73	RT	0.08	16.5
WB IL 16	111+04	114+51	RT	0.22	43.5
WB IL 17	115+95	119+36	RT	0.21	62.5
WB IL 16	119+65	120+57	RT	0.05	10.4
STAGE 3C TOTAL:					132.9

TEMPORARY SEEDING SCHEDULE - STAGE 3					TEMPORARY EROSION CONTROL SEEDING
ROUTE	STATIONING		SIDE	AREA	POUND
	FROM	TO		ACRES	
STAGE 3E					
WB IL 16	94+47	106+25	LT	1.11	222.0
EX RAMP F	17+01	23+39	LT/RT	2.40	480.6
RAMP A	2006+60	2017+51	LT	1.37	275.0
RAMP A	2006+60	2017+51	RT	2.62	524.8
STAGE 3E TOTAL:					1502.3
STAGE 3F					
RAMP B	3001+87	3011+98	LT	0.68	135.3
RAMP B	3001+87	3011+98	RT	2.38	475.8
EX RAMP H	786+80	794+05	LT/RT	3.30	660.3
WB IL 16	118+46	132+83	LT	2.62	523.7
STAGE 3F TOTAL:					1795.1
STAGE 3 TOTAL:					9215.5

TEMPORARY SEEDING SCHEDULE - PRE-STAGE 3					TEMPORARY EROSION CONTROL SEEDING
ROUTE	STATIONING		SIDE	AREA	POUND
	FROM	TO		ACRES	
PRE-STAGE 3					
EX RAMP F (3C)	12+97	15+87	RT	0.35	69.1
EX RAMP F (3C)	15+80	22+79	LT	3.57	713.6
IL 16 MEDIAN (3C)	106+60	110+11	LT/RT	0.25	76.1
IL 16 (3E)	108+65	109+17	LT	0.09	18.6
EX RAMP D (3E)	43+08	51+28	LT	3.47	693.6
PRE-STAGE 3 TOTAL:					1571.0

USER NAME = kaleb.hirtzel	DESIGNED -	REVISED -
	DRAWN -	REVISED -
	CHECKED -	REVISED -
PLOT DATE = 8/19/2024	DATE -	REVISED -

F.A.I. RTE.	SECTION	COUNTY	TOTAL SHEETS	SHEET NO.
57	(15-22HB-4)BR (15-22)R	COLES	1086	44
CONTRACT NO. 74435				
ILLINOIS FED. AID PROJECT				

SEEDING SCHEDULE				SEEDING, CLASS 2	NITROGEN FERTILIZER NUTRIENT	PHOSPHOROUS FERTILIZER NUTRIENT	POTASSIUM FERTILIZER NUTRIENT	AGRICULTURAL GROUND LIMESTONE	MULCH, METHOD 2
STATIONING		SIDE	ACRES						
FROM	TO								
I-57 MEDIAN									
740+41	748+59	LT/RT	0.39	35.3	35.3	35.3	0.8	0.4	
778+48	787+72	LT/RT	0.92	83.0	83.0	83.0	1.8	0.9	
789+61	799+42	LT/RT	0.99	89.5	89.5	89.5	2.0	0.9	
807+06	809+49	LT/RT	0.28	25.3	25.3	25.3	0.6	0.3	
843+03	849+37	LT/RT	0.30	26.8	26.8	26.8	0.6	0.3	
I-57 MEDIAN TOTALS:			2.89	259.8	259.8	259.8	5.8	2.8	
NB I-57									
774+10	788+12	RT	3.48	313.2	313.2	313.2	7.0	1.6	
789+73	800+73	RT	2.61	234.8	234.8	234.8	5.2	2.3	
NB I-57 TOTALS:			6.09	548.0	548.0	548.0	12.2	3.9	
SB I-57									
776+82	788+14	LT	2.56	230.2	230.2	230.2	5.1	2.4	
789+88	803+40	LT	3.50	315.4	315.4	315.4	7.0	3.2	
SB I-57 TOTALS:			6.06	545.6	545.6	545.6	12.1	5.5	
IL 16 MEDIAN									

SEEDING SCHEDULE				SEEDING, CLASS 2	NITROGEN FERTILIZER NUTRIENT	PHOSPHOROUS FERTILIZER NUTRIENT	POTASSIUM FERTILIZER NUTRIENT	AGRICULTURAL GROUND LIMESTONE	MULCH, METHOD 2
STATIONING		SIDE	ACRES						
FROM	TO								
94+71	104+42	LT/RT	0.63	56.3	56.3	56.3	1.3	0.6	
102+06	110+74	LT/RT	0.80	71.9	71.9	71.9	1.6	0.8	
111+30	114+20	LT/RT	0.39	35.5	35.5	35.5	0.8	0.4	
115+64	118+47	LT/RT	0.39	35.3	35.3	35.3	0.8	0.4	
119+03	128+01	LT/RT	0.82	73.7	73.7	73.7	1.6	0.8	
130+33	137+04	LT/RT	0.63	56.6	56.6	56.6	1.3	0.6	
IL 16 MEDIAN TOTALS:			3.66	329.3	329.3	329.3	7.3	3.7	
EB IL 16									
89+83	111+28	RT	3.62	325.5	325.5	325.5	7.2	3.6	
111+83	113+58	RT	0.18	16.1	16.1	16.1	0.4	0.2	
116+51	118+62	RT	0.21	18.7	18.7	18.7	0.4	0.2	
118+66	144+53	RT	3.79	341.0	341.0	341.0	7.6	3.8	
EB IL 16 TOTALS:			7.79	701.3	701.3	701.3	15.6	7.8	
WB IL 16									
94+46	111+47	LT	2.94	264.2	264.2	264.2	5.9	2.9	
111+79	114+48	LT	0.30	27.3	27.3	27.3	0.6	0.3	

SEEDING SCHEDULE				SEEDING, CLASS 2	NITROGEN FERTILIZER NUTRIENT	PHOSPHOROUS FERTILIZER NUTRIENT	POTASSIUM FERTILIZER NUTRIENT	AGRICULTURAL GROUND LIMESTONE	MULCH, METHOD 2
STATIONING		SIDE	ACRES						
FROM	TO								
115+84	118+57	LT	0.26	23.5	23.5	23.5	0.5	0.2	
118+83	137+55	LT	4.71	423.7	423.7	423.7	9.4	4.7	
WB IL 16 TOTALS:			8.21	738.6	738.6	738.6	16.4	8.1	
RAMP A									
2000+00	2020+59	RT	7.12	640.4	640.4	640.4	14.2	4.3	
RAMP A TOTALS:			7.12	640.4	640.4	640.4	14.2	4.3	
RAMP B									
300+51	3024+72	RT	6.83	614.6	614.6	614.6	13.7	4.5	
RAMP B TOTALS:			6.83	614.6	614.6	614.6	13.7	4.5	
RAMP C									
4000+00	4019+42	RT	5.04	453.7	453.7	453.7	10.1	5.0	
RAMP C TOTALS:			5.04	453.7	453.7	453.7	10.1	5.0	
RAMP D									
5000+45	5024+55	RT	5.94	535.0	535.0	535.0	11.9	5.8	
RAMP D TOTALS:			5.94	535.0	535.0	535.0	11.9	5.8	
PROJECT TOTALS:			59.60	5366.3	5366.3	5366.3	119.3	52.0	

INLET AND PIPE PROTECTION SCHEDULE - PRE-STAGE					INLET AND PIPE PROTECTION
LOCATION	STATION	SIDE	OFFSET	EACH	
			FEET		
EX IL 16	92+33	LT	73.3	1	
EX IL 16	95+60	CL	0.0	1	
EX IL 16	98+00	LT	14.0	1	
EX IL 16	98+00	RT	14.0	1	
EX IL 16	131+50	CL	0.0	1	
EX IL 16	133+75	LT	14.0	1	
EX IL 16	133+75	RT	14.0	1	
EX I-57	746+40	CL	0.0	1	
EX I-57	744+50	LT	20.0	1	
EX I-57	744+50	RT	20.0	1	
EX I-57	846+20	LT	17.0	1	
EX I-57	846+20	RT	17.0	1	
EX I-57	849+00	CL	0.0	1	
SB I-57	806+29	LT	113.8	1	
NW TEMP RAMP	6002+77	RT	38.8	1	
NE TEMP RAMP	7002+48	RT	18.0	1	
NE TEMP RAMP	7004+37	RT	18.0	1	
SE TEMP RAMP	8001+15	LT	14.7	1	
SE TEMP RAMP	8002+80	LT	16.2	1	
SW TEMP RAMP	9003+81	LT	44.0	1	
SW TEMP RAMP	9003+84	LT	45.0	1	
PRE-STAGE TOTAL:				21	

INLET AND PIPE PROTECTION SCHEDULE - STAGES 1 & 2					INLET AND PIPE PROTECTION
LOCATION	STATION	SIDE	OFFSET	EACH	
			FEET		
STAGE 1					
SB I-57	773+80	LT	60.0	1	
SB I-57	806+83	RT	50.0	1	
EX IL 16	109+00	RT	61.0	1	
EX RAMP F	21+94	LT	66.0	1	
STAGE 1 TOTAL:				4	
STAGE 2					
NB 57	790+58	LT	43.6	1	
RAMP B	3002+98	LT	40.5	1	
EX RAMP B	87+93	LT	43.6	1	
EX RAMP B	89+07	LT	122.3	1	
EX RAMP H	787+82	LT	210.2	1	
EX RAMP H	787+91	LT	93.4	1	
STAGE 2 TOTAL:				6	
STAGES 1 & 2 TOTAL:				10	

INLET AND PIPE PROTECTION SCHEDULE - PRE-STAGE 3					INLET AND PIPE PROTECTION
LOCATION	STATION	SIDE	OFFSET	EACH	
			FEET		
PRE-STAGE 3					
EX RAMP F (3C)	16+95.9	LT	101.2	1	
IL 16 MEDIAN (3C)	107+15	-	0.0	1	
IL 16 MEDIAN (3C)	109+71	-	0.0	1	
IL 16 (3E)	108+61	RT	180.5	1	
PRE-STAGE 3 TOTAL:				4	

INLET AND PIPE PROTECTION SCHEDULE - STAGE 3					INLET AND PIPE PROTECTION
LOCATION	STATION	SIDE	OFFSET	EACH	
			FEET		
STAGE 3A					
WB IL 16	115+93	LT	33.6	1	
WB IL 16	123+61	LT	69.9	1	
RAMP A	2018+61	LT	42.6	1	
STAGE 3A TOTAL:				3	
STAGE 3B					
RAMP D	5002+05	LT	39.2	1	
BIKE PATH	502+48	RT	11.6	1	
EB IL 16	92+32	RT	24.5	1	
EB IL 16	108+26	RT	64.8	1	
EB IL 16	108+77	RT	74.4	1	
EB IL 16	115+97	RT	35.6	1	
RAMP C	4018+50	LT	44.7	1	
BIKE PATH	533+34	RT	18.8	1	
EB IL 16	137+64	LT	30.2	1	
BIKE PATH	549+92	RT	14.1	1	
STAGE 3B TOTAL:				10	
STAGE 3 TOTAL:				13	

MODEL: SCHEDULES OF QUANTITIES-12 (Sheet)
FILE NAME: c:\p\work\hrtz\hrtz\1052852\DT74435-sheets-schedules.dgn

USER NAME = kaleb.hirtzel	DESIGNED -	REVISED -
	DRAWN -	REVISED -
	CHECKED -	REVISED -
PLOT DATE = 8/19/2024	DATE -	REVISED -

**STATE OF ILLINOIS
DEPARTMENT OF TRANSPORTATION**

SCHEDULE OF QUANTITIES

SCALE: SHEET 13 OF 50 SHEETS STA. TO STA.

F.A.I	SECTION	COUNTY	TOTAL SHEETS	SHEET NO.
57	(15-22HB-4)BR (15-22)R	COLES	1086	45
CONTRACT NO. 74435				
ILLINOIS FED. AID PROJECT				

EROSION CONTROL BLANKET SCHEDULE			TEMPORARY EROSION CONTROL BLANKET	EROSION CONTROL BLANKET
STATIONING		SIDE	SQ YD	SQ YD
FROM	TO			
NB I-57				
786+20	788+04	RT	1190.2	1190.2
789+24	791+40	RT	1167.1	1167.1
NB I-57 TOTALS:			2837.4	2837.4
SB I-57				
786+40	788+06	LT	925.6	925.6
790+00	791+20	RT	306.7	306.7
789+27	791+40	LT	1457.5	1457.5
SB I-57 TOTALS:			2689.7	2689.7
PR RAMP A				
2002+68	2006+60	RT	1023.8	1023.8
2000+00	2015+20	RT	12126.3	12126.3
RAMP A TOTALS:			13150.1	13150.1
PR RAMP B				
3006+80	3007+60	RT	1197.8	1197.8
3007+60	3024+72	RT	9430.6	9430.6
RAMP B TOTALS:			10628.4	10628.4
PR RAMP D				
5011+78	5021+20	RT	738.3	738.3
RAMP D TOTALS:			738.3	738.3
PROJECT TOTALS:			30044	30044

DITCH CHECK SCHEDULE STAGE 1			TEMPORARY DITCH CHECKS
STATION	OFFSET	SIDE	FOOT
	FEET		
SB I-57			
780+85	34	RT	10
781+76	34	RT	10
782+67	34	RT	10
783+58	34	RT	10
784+49	34	RT	10
785+40	34	RT	10
786+31	34	RT	10
790+00	37	RT	10
791+00	37	RT	10
792+00	37	RT	10
797+55	34	RT	10
SB I-57 TOTAL:			110
EX IL 16			
109+01	205.3	LT	16
109+02	64.1	RT	12
EX IL 16 TOTAL:			28
PR RAMP A			
2003+03	84.9	RT	12
2003+39	85.5	RT	12
2003+70	86	RT	12
2004+18	79.7	RT	12
2005+94	75.9	RT	12
2007+70	85.7	RT	12
2009+46	91.6	RT	12
2011+22	89.3	RT	12
2012+98	86.8	RT	12
2014+09	73.8	LT	12
2014+39	76.2	LT	12
2014+68	78.7	LT	12
2014+98	81.1	LT	12
2015+27	83.5	LT	12
2015+57	86	LT	12
2015+86	88.3	LT	12
2016+16	90.8	LT	12
2016+45	93.2	LT	12
2016+74	95.6	LT	12
2017+04	98	LT	12

DITCH CHECK SCHEDULE STAGE 1			TEMPORARY DITCH CHECKS
STATION	OFFSET	SIDE	FOOT
	FEET		
2017+33	100.4	LT	12
2017+56	111.6	RT	12
2017+63	102.8	LT	12
2017+96	104.8	LT	12
2018+30	98.9	LT	12
2018+43	137.1	RT	12
2018+54	79.5	LT	12
2019+01	164.7	LT	12
2020+40	185.4	RT	12
PR RAMP A TOTAL:			348
PR RAMP D			
5000+21	252.6	RT	12
5001+11	264.9	RT	12
5002+03	40.7	LT	12
5002+03	270.6	RT	12
5002+04	92.3	RT	12
5002+76	100.6	LT	12
5003+84	75.6	LT	12
5004+26	212.5	RT	12
5004+30	70.2	LT	12
5004+72	189.2	RT	12
5004+78	67	LT	12
5005+13	165.6	RT	12
5005+28	64	LT	12
5005+54	142.1	RT	12
5005+78	61	LT	12
5006+28	57.9	LT	12
5006+78	54.9	LT	12
5010+42	26.5	RT	12
5011+84	34.9	RT	12
5013+26	36.1	RT	12
5014+68	37	RT	12
5016+09	34	RT	12
5017+79	29.6	RT	12
5019+50	25.2	RT	12
PR RAMP D TOTAL:			288
STAGE 1 TOTAL:			774

DITCH CHECK SCHEDULE STAGE 2			TEMPORARY DITCH CHECKS
STATION	OFFSET	SIDE	FOOT
	FEET		
NB I-57			
780+45	35	LT	10
781+37	35	LT	10
782+29	35	LT	10
783+21	35	LT	10
784+13	35	LT	10
785+05	35	LT	10
785+97	35	LT	10
786+89	35	LT	10
790+67	44	LT	10
793+00	35	LT	10
795+00	35	LT	10
797+40	35	LT	10
NB I-57 TOTAL:			120
EX IL 16			
120+55	121.4	RT	12
120+45	88.6	LT	12
EX IL 16 TOTAL:			24
EX RAMP B			
74+90	65.6	RT	12
76+75	72.5	RT	12
78+60	86.3	RT	12
80+45	73.2	RT	12
82+30	64.5	RT	12
84+15	34.4	RT	12
86+11	21.7	RT	12
EX RAMP B TOTAL:			84
PR RAMP B			
3001+00	137.4	RT	12
3003+00	71.5	RT	12
3003+09	58.2	LT	12
3003+32	54.1	LT	12
3003+55	50.7	LT	12
3003+78	48	LT	12
3004+02	46.1	LT	12
3004+25	44.8	LT	12
3004+50	40.2	LT	12
3004+75	40.2	LT	12

DITCH CHECK SCHEDULE STAGE 2			TEMPORARY DITCH CHECKS
STATION	OFFSET	SIDE	FOOT
	FEET		
3005+00	40.2	LT	12
3005+25	40.2	LT	12
3005+50	40.2	LT	12
3005+75	40.2	LT	12
3006+00	40.2	LT	12
3006+25	40.2	LT	12
3006+50	40.2	LT	12
3006+75	40.2	LT	12
3007+00	40.2	LT	12
3007+25	40.2	LT	12
3008+22	103.2	RT	12
3009+14	72.6	RT	12
3010+14	80.3	RT	12
3011+14	88	RT	12
PR RAMP B TOTAL:			288
PR RAMP C			
4000+00	23.5	RT	12
4001+85	28.1	RT	12
4003+70	33.8	RT	12
4005+55	39.6	RT	12
4013+86	70	LT	12
4014+14	71.9	LT	12
4014+42	73.8	LT	12
4014+70	75.7	LT	12
4015+15	78.8	LT	12
4015+60	81.9	LT	12
4016+06	84.9	LT	12
4016+51	88	LT	12
4016+96	91	LT	12
4017+03	81.6	RT	12
4017+41	94.1	LT	12
4017+86	96.2	RT	12
4018+04	220.6	RT	12
4018+52	30.4	RT	12
4018+86	303.7	RT	12
4020+06	176.2	RT	12
PR RAMP C TOTAL:			240
STAGE 2 TOTAL:			756

DITCH CHECK SCHEDULE PRE-STAGE 3			TEMPORARY DITCH CHECKS
STATION	OFFSET	SIDE	FOOT
	FEET		
SB I-57 - PRE-STAGE 3E			
785+09	137.4	LT	12
785+63	71.5	LT	12
785+67	58.2	LT	12
786+00	54.1	LT	12
786+48	50.7	LT	12
SB I-57 TOTAL:			60
EX RAMP D - PRE-STAGE 3E			
43+59	58.8	LT	12
43+94	37.3	LT	12
44+27	71.6	LT	12
44+60	83	LT	12
44+89	112.1	LT	12
45+25	104.8	LT	12
45+90	110.2	LT	12
46+22	116.1	LT	12
46+53	121.9	LT	12
46+96	129.9	LT	12
47+40	138	LT	12
47+87	146.1	LT	12
48+72	147.2	LT	12
49+52	136.5	LT	12
50+18	116.9	LT	12
50+48	95	LT	12
50+87	73.5	LT	12
51+26	52	LT	12
EX RAMP D TOTAL:			216
EX RAMP F - PRE-STAGE 3C			
13+83	23.5	RT	12
17+12	28.1	LT	12
19+25	33.8	LT	12
20+89	39.6	LT	12
EX RAMP F TOTAL:			48
PRE-STAGE 3 TOTAL:			324

MODEL: SCHEDULES OF QUANTITIES-13 (Sheet)
FILE NAME: c:\pdx_work\pdx\hrtz\hrtz\15-22HB4\15-22JR\15-22JR-Schedules.dgn

USER NAME = kaleb.hirtzel	DESIGNED -	REVISED -
	DRAWN -	REVISED -
	CHECKED -	REVISED -
PLOT DATE = 7/17/2025	DATE -	REVISED -

**STATE OF ILLINOIS
DEPARTMENT OF TRANSPORTATION**

SCHEDULE OF QUANTITIES

SCALE: SHEET 14 OF 50 SHEETS STA. TO STA.

F.A.I RTE.	SECTION	COUNTY	TOTAL SHEETS	SHEET NO.
57	(15-22HB-4)BR (15-22)R	COLES	1086	46
CONTRACT NO. 74435				
ILLINOIS		FED. AID PROJECT		

NEW PAVEMENT SCHEDULE STAGE 1			PROCESSING LIME STABILIZED SOIL MIXTURE 12"	LIME	POROUS GRANULAR EMBANKMENT	LONGITUDINAL JOINT SEALANT	BITUMINOUS MATERIALS (TACK COAT)	HOT-MIX ASPHALT PAVEMENT (FULL-DEPTH), 16"	HOT-MIX ASPHALT PAVEMENT (FULL-DEPTH), 10-1/2"	PAVEMENT CONNECTOR (PCC) FOR BRIDGE APPROACH SLAB	MATERIAL TRANSFER DEVICE
STATIONING		LENGTH									
FROM	TO	FEET	SQ YD	TON	TON	FOOT	POUND	SQ YD	SQ YD	SQ YD	TON
SB I-57											
760+60.00	762+00.00	140.00	-	-	-	-	-	-	-	-	-
762+00.00	764+00.00	200.00	-	-	-	-	-	-	-	-	-
764+00.00	779+35.90	1535.90	-	-	-	-	-	-	-	-	-
779+35.90	779+45.89	9.99	-	-	-	-	-	-	-	-	-
779+45.89	781+59.85	213.96	-	-	-	-	-	-	-	-	-
781+59.85	782+67.06	107.21	-	-	231.4	107.2	269.5	285.9	-	-	85.2
782+67.06	787+26.44	459.38	2365.9	19.7	-	459.4	1155.0	1225.0	-	-	365.1
787+26.44	787+41.44	15.00	104.8	0.9	-	-	-	-	-	71.7	-
787+41.44	787+71.44	30.00	-	-	-	-	-	-	-	-	-
787+71.44	789+63.44	192.00	-	-	-	-	-	-	-	-	-
789+63.44	789+93.44	30.00	-	-	-	-	-	-	-	-	-
789+93.44	790+08.44	15.00	81.7	0.7	-	-	-	-	-	76.7	-
790+08.44	793+98.00	389.56	2163.1	18.0	-	389.6	979.4	1038.8	-	-	309.6
793+98.00	795+57.47	159.47	-	-	351.6	159.5	400.9	425.3	-	-	126.7
795+57.47	799+15.14	357.67	-	-	-	-	-	-	-	-	-
799+15.14	799+41.48	26.34	-	-	-	-	-	-	-	-	-
799+41.48	801+75.29	233.81	-	-	-	-	-	-	-	-	-
801+75.29	801+81.25	5.96	-	-	-	-	-	-	-	-	-
801+81.25	807+06.00	524.75	-	-	-	-	-	-	-	-	-
807+06.00	809+42.00	236.00	1201.0	10.0	-	236.0	593.4	629.3	-	-	187.5
809+42.00	810+00.00	58.00	-	-	-	-	-	-	-	-	-
810+00.00	812+39.46	239.46	-	-	-	-	-	-	-	-	-
812+39.46	813+79.46	140.00	-	-	-	-	-	-	-	-	-
813+79.46	815+87.97	208.51	-	-	-	-	-	-	-	-	-
815+87.97	817+27.97	140.00	-	-	-	-	-	-	-	-	-
817+27.97	820+20.00	292.03	-	-	-	-	-	-	-	-	-
820+20.00	839+03.00	1883.00	-	-	-	-	-	-	-	-	-
839+03.00	839+29.00	26.00	-	-	-	-	-	-	-	-	-
839+29.00	839+40.00	11.00	-	-	-	-	-	-	-	-	-
839+40.00	839+51.00	11.00	-	-	-	-	-	-	-	-	-
839+51.00	840+69.00	118.00	-	-	-	-	-	-	-	-	-
SB I-57 TOTALS:			5916.4	49.3	583.0	1351.6	3398.2	3604.3	0.0	148.3	1074.1

NEW PAVEMENT SCHEDULE STAGE 1			PROCESSING LIME STABILIZED SOIL MIXTURE 12"	LIME	POROUS GRANULAR EMBANKMENT	LONGITUDINAL JOINT SEALANT	BITUMINOUS MATERIALS (TACK COAT)	HOT-MIX ASPHALT PAVEMENT (FULL-DEPTH), 16"	HOT-MIX ASPHALT PAVEMENT (FULL-DEPTH), 10-1/2"	PAVEMENT CONNECTOR (PCC) FOR BRIDGE APPROACH SLAB	MATERIAL TRANSFER DEVICE
STATIONING		LENGTH									
FROM	TO	FEET	SQ YD	TON	TON	FOOT	POUND	SQ YD	SQ YD	SQ YD	TON
PR RAMP A											
2000+00.00	2002+66.77	266.8	706.2	5.9	-	-	231.3	240.8	-	-	-
2002+66.77	2002+99.52	32.8	110.3	0.9	-	-	54.6	58.7	-	-	-
2002+99.52	2003+99.38	99.9	375.7	3.1	-	-	202.4	218.2	-	-	-
2003+99.38	2006+59.71	260.3	1257.6	10.5	-	-	382.3	-	462.8	-	-
PR RAMP A TOTALS:			2449.9	20.4	0.0	0.0	870.6	517.7	462.8	0.0	0.0
PR RAMP D											
5011+75.93	5015+06.00	330.1	1307.2	10.9	-	-	455.0	-	586.8	-	-
5015+06.00	5016+06.00	100.0	302.1	2.5	-	-	195.7	211.1	-	-	-
5016+06.00	5021+20.00	514.0	1202.2	10.0	-	-	692.4	734.3	-	-	-
5021+20.00	5024+55.80	335.8	524.3	4.4	-	-	166.9	162.6	-	-	-
PR RAMP D TOTALS:			3335.8	27.8	0.0	0.0	1510.1	1108.0	586.8	0.0	0.0
STAGE 1 TOTALS:			11702.0	97.5	583.0	1351.6	5779.0	5230.1	1049.6	148.3	1074.1

MODEL: SCHEDULES OF QUANTITIES-15 (Sheet)
FILE NAME: c:\p\work\hrt\hrtz\hd0852852\0774435-sheets-Schedules.dgn

USER NAME = kaleb.hirtzel	DESIGNED -	REVISED -
	DRAWN -	REVISED -
	CHECKED -	REVISED -
PLOT DATE = 8/19/2024	DATE -	REVISED -

**STATE OF ILLINOIS
DEPARTMENT OF TRANSPORTATION**

SCHEDULE OF QUANTITIES		
SCALE:	SHEET 16 OF 50 SHEETS	STA. TO STA.

F.A.I RTE. 57	SECTION (15-22HB-4)BR (15-22)R	COUNTY COLES	TOTAL SHEETS 1086	SHEET NO. 48
CONTRACT NO. 74435				
ILLINOIS FED. AID PROJECT				

NEW PAVEMENT SCHEDULE STAGE 3A			PROCESSING LIME STABILIZED SOIL MIXTURE 12"	LIME	TEMPORARY RAMP	PORTLAND CEMENT CONCRETE PAVEMENT 9" (JOINTED)	PORTLAND CEMENT CONCRETE SHOULDERS 8"	SUBBASE GRANULAR MATERIAL, TYPE C	AGGREGATE SHOULDERS, TYPE B 6"	COMBINATION CONCRETE CURB & GUTTER, TYPE B-6.24	STAMPED COLORED PCC PAVEMENT 9" (JOINTED)	COMBINATION CONCRETE CURB & GUTTER, TYPE M (SPECIAL)	CONCRETE CURB, TYPE B
STATIONING		LENGTH	SQ YD	TON	SQ YD	SQ YD	SQ YD	TON	SQ YD	FOOT	SQ YD	FOOT	FOOT
FROM	TO	FEET											
WB IL 16													
102+18.35	102+63.35	45.00	-	-	135.0	-	-	-	-	-	-	-	-
102+63.35	104+72.35	209.00	807.9	6.7	-	691.8	92.9	4.5	46.4	-	-	-	-
104+72.35	104+80.00	7.65	37.2	0.3	-	30.4	5.9	0.3	-	-	-	-	-
104+80.00	106+10.00	130.00	637.7	5.3	-	520.0	101.6	4.9	-	-	-	-	-
106+10.00	106+69.38	59.38	322.0	2.7	-	237.5	77.2	3.8	13.2	-	-	-	-
106+69.38	108+13.35	143.97	719.9	6.0	-	575.9	128.0	6.2	64.0	-	-	-	-
108+13.35	109+41.04	127.69	653.0	5.4	-	564.7	-	-	-	246.2	-	-	-
109+41.04	110+80.73	139.69	1059.5	8.8	-	845.3	-	-	-	125.5	-	-	-
110+80.73	111+53.60	72.87	882.0	7.4	-	613.9	-	-	-	77.7	-	-	-
111+53.60	111+56.11	2.51	34.8	0.3	-	25.7	-	-	-	-	-	-	-
111+56.11	111+76.05	19.94	198.9	1.7	-	136.1	-	-	-	-	31.0	16.3	13.6
111+76.05	112+70.43	94.38	663.4	5.5	-	338.4	-	-	-	111.7	55.3	81.4	91.9
112+70.43	113+88.36	117.93	705.3	5.9	-	396.7	-	-	-	105.8	-	-	-
113+88.36	116+14.87	226.51	931.2	7.8	-	654.4	-	-	-	226.5	-	-	-
116+14.87	117+60.46	145.59	869.7	7.2	-	477.2	-	-	-	135.8	-	-	-
117+60.46	118+86.10	125.64	1056.2	8.8	-	533.4	-	-	-	121.5	193.6	109.5	90.3
118+86.10	119+01.02	14.92	219.3	1.8	-	147.4	-	-	-	21.8	30.9	12.7	8.3
119+01.02	120+41.08	140.06	1450.9	12.1	-	1079.4	-	-	-	104.0	-	-	-
120+41.08	125+45.76	504.68	2772.5	23.1	-	2425.2	-	-	-	1014.2	-	-	-
125+45.76	126+13.34	67.58	364.2	3.0	-	271.2	-	-	-	126.0	-	-	-
126+13.34	127+42.76	129.42	587.2	4.9	-	466.9	105.9	5.1	-	-	-	-	-
127+42.76	128+33.34	90.58	311.3	2.6	-	266.4	40.3	2.0	20.1	-	-	-	-
128+33.34	128+78.34	45.00	-	-	135.0	-	-	-	-	-	-	-	-
WB IL 16 TOTALS:			15284.3	127.4	270.0	11298.0	551.8	26.8	143.8	2416.7	310.9	219.9	204.1
RAINDROP													
209+16.50	209+42.50	26.0	49.1	0.4	-	49.1	-	-	-	-	-	-	-
217+99.50	218+33.00	33.5	63.3	0.5	-	63.3	-	-	-	-	-	-	-
RAINDROP TOTALS:			112.4	0.9	0.0	112.4	0.0	0.0	0.0	0.0	0.0	0.0	0.0
PR RAMP A													
2017+50.00	2018+43.19	93.2	843.6	7.0	-	721.2	-	-	-	-	-	-	-
2018+43.19	2020+25.70	182.5	750.3	6.3	-	527.3	202.8	9.9	81.1	350.3	-	-	-
PR RAMP A TOTALS:			1593.9	13.3	0.0	1248.4	202.8	9.9	81.1	350.3	0.0	0.0	0.0
PR RAMP B													
3000+69.53	3001+86.53	117.00	554.1	4.6	-	472.2	-	-	-	225.2	-	-	-
PR RAMP B TOTALS:			554.1	4.6	0.0	472.2	0.0	0.0	0.0	225.2	0.0	0.0	0.0
STAGE 3A TOTALS:			17544.7	146.2	270.0	13131.0	754.6	36.7	224.9	2992.2	310.9	219.9	204.1

MODEL: SCHEDULES OF QUANTITIES-17 (Sheet)
FILE NAME: c:\pdx_work\wobhertz\hertz\1052852\0774435-sheets-Schedules.dgn

USER NAME = kaleb.hirtzel	DESIGNED -	REVISED -
	DRAWN -	REVISED -
	CHECKED -	REVISED -
PLOT DATE = 8/19/2024	DATE -	REVISED -

**STATE OF ILLINOIS
DEPARTMENT OF TRANSPORTATION**

SCHEDULE OF QUANTITIES			
SCALE:	SHEET 18	OF 50 SHEETS	STA. TO STA.

F.A.I RTE.	SECTION	COUNTY	TOTAL SHEETS	SHEET NO.
57	(15-22HB-4)BR (15-22)R	COLES	1086	50
CONTRACT NO. 74435				
ILLINOIS FED. AID PROJECT				

NEW PAVEMENT SCHEDULE STAGE 3B			PROCESSING LIME STABILIZED SOIL MIXTURE 12"	LIME TON	TEMPORARY RAMP SQ YD	PORTLAND CEMENT CONCRETE PAVEMENT 9" (JOINTED) SQ YD	PORTLAND CEMENT CONCRETE SHOULDERS 8" SQ YD	SUBBASE GRANULAR MATERIAL, TYPE C	AGGREGATE SHOULDERS, TYPE B 6"	COMBINATION CONCRETE CURB & GUTTER, TYPE B-6,24 FOOT	AGGREGATE BASE COURSE, TYPE A 12" SQ YD	STAMPED COLORED PCC PAVEMENT 9" (JOINTED) SQ YD	COMBINATION CONCRETE CURB & GUTTER TYPE M (SPECIAL) FOOT	CONCRETE CURB, TYPE B FOOT	CONCRETE MEDIAN SURFACE, 4 INCH SQ FT	BITUMINOUS MATERIALS (TACK COAT) POUND	LONGITUDINAL JOINT SEALANT FOOT	HOT-MIX ASPHALT PAVEMENT (FULL-DEPTH) 10 1/2" SQ YD	
STATIONING FROM TO	LENGTH FEET	SQ YD																	
EB IL 16																			
101+61.00	102+06.00	45.00	-	-	135.0	-	-	-	-	-	-	-	-	-	-	-	-	-	-
102+06.00	102+89.40	83.40	361.4	3.0	-	245.0	108.0	5.2	37.1	-	-	-	-	-	-	-	-	-	-
102+89.40	104+26.00	136.60	697.3	5.8	-	492.4	215.0	10.5	-	-	-	-	-	-	-	-	-	-	-
104+26.00	104+92.20	66.20	358.1	3.0	-	265.5	-	-	-	123.2	-	-	-	-	-	-	-	-	-
104+92.20	109+91.00	498.80	2666.3	22.2	-	2323.2	-	-	-	1002.0	-	-	-	-	-	-	-	-	-
109+91.00	111+10.30	119.30	1032.7	8.6	-	786.2	-	-	-	183.8	-	45.3	25.7	-	-	-	-	-	-
111+10.30	111+74.50	64.20	804.4	6.7	-	389.2	-	-	-	43.8	-	167.8	59.2	54.5	-	-	-	-	-
111+74.50	113+17.00	142.50	765.8	6.4	-	508.2	-	-	-	147.8	-	155.4	132.9	120.2	-	-	-	-	-
113+17.00	114+23.70	106.70	414.1	3.5	-	341.1	-	-	-	100.0	-	-	-	-	-	-	-	-	-
114+23.70	116+51.00	227.30	813.2	6.8	-	656.6	-	-	-	227.3	-	-	-	-	-	-	-	-	-
116+51.00	117+68.90	117.90	672.1	5.6	-	396.7	-	-	-	105.8	-	-	-	-	-	-	-	-	-
117+68.90	118+60.30	91.40	444.7	3.7	-	327.3	-	-	-	105.1	-	51.4	78.9	74.5	-	-	-	-	-
118+60.30	119+61.30	101.00	1161.8	9.7	-	650.0	-	-	-	78.9	-	212.9	85.1	57.9	-	-	-	-	-
119+61.30	120+33.50	72.20	513.4	4.3	-	373.7	-	-	-	143.5	-	-	-	-	-	-	-	-	-
120+33.50	122+26.00	192.50	1059.8	8.8	-	928.6	-	-	-	371.5	-	-	-	-	-	-	-	-	-
122+26.00	123+72.90	146.90	734.5	6.1	-	587.6	130.6	6.3	65.3	-	-	-	-	-	-	-	-	-	-
123+72.90	125+56.00	183.10	981.6	8.2	-	732.4	229.1	11.1	40.7	-	-	-	-	-	-	-	-	-	-
125+56.00	125+69.90	13.90	73.6	0.6	-	55.0	17.0	0.8	3.1	-	-	-	-	-	-	-	-	-	-
125+69.90	127+76.00	206.10	953.2	7.9	-	678.3	222.0	10.8	179.2	-	-	-	-	-	-	-	-	-	-
127+76.00	128+21.00	45.00	-	-	190.0	-	-	-	-	-	-	-	-	-	-	-	-	-	-
EB IL 16 TOTALS:			14508.2	119.4	325.0	10737.1	921.6	44.8	325.3	2632.7	0.0	632.8	381.8	307.1	0.0	0.0	0.0	0.0	0.0
RAINDROP																			
200+00.00	200+26.10	26.1	146.4	1.2	-	49.3	-	-	-	32.3	10.8	71.5	25.3	15.0	-	-	-	-	-
203+88.60	205+32.50	143.9	-	-	-	-	-	-	-	-	-	-	-	-	823.9	-	-	-	-
208+83.00	209+16.50	33.5	192.5	1.6	-	63.3	-	-	-	41.5	13.8	96.4	32.6	18.0	-	-	-	-	-
209+16.50	209+21.90	5.4	-	-	-	-	-	-	-	6.6	2.2	-	-	-	-	-	-	-	-
218+24.70	218+33.00	8.3	-	-	-	-	-	-	-	10.2	3.4	-	-	-	-	-	-	-	-
RAINDROP TOTALS:			338.9	2.8	0.0	112.6	0.0	0.0	0.0	90.6	30.2	167.9	57.9	33.0	823.9	0.0	0.0	0.0	0.0

MODEL: SCHEDULES OF QUANTITIES-18 (Sheet)
 FILE NAME: c:\pdx_work\work\hartzel\hartzel\0852852\0774435-sheets-Schedules.dgn

USER NAME = kaleb.hirtzel	DESIGNED -	REVISED -
	DRAWN -	REVISED -
	CHECKED -	REVISED -
PLOT DATE = 8/19/2024	DATE -	REVISED -

**STATE OF ILLINOIS
DEPARTMENT OF TRANSPORTATION**

SCHEDULE OF QUANTITIES

SCALE: SHEET 19 OF 50 SHEETS STA. TO STA.

F.A.I RTE.	SECTION	COUNTY	TOTAL SHEETS	SHEET NO.
57	(15-22HB-4)BR (15-22)R	COLES	1086	51
CONTRACT NO. 74435				
ILLINOIS FED. AID PROJECT				

NEW PAVEMENT SCHEDULE STAGE 3B			PROCESSING LIME STABILIZED SOIL MIXTURE 12"	LIME	TEMPORARY RAMP	PORTLAND CEMENT CONCRETE PAVEMENT 9" (JOINTED)	PORTLAND CEMENT CONCRETE SHOULDERS 8"	SUBBASE GRANULAR MATERIAL, TYPE C	AGGREGATE SHOULDERS, TYPE B 6"	COMBINATION CONCRETE CURB & GUTTER, TYPE B-6.24	AGGREGATE BASE COURSE, TYPE A 12"	STAMPED COLORED PCC PAVEMENT 9" (JOINTED)	COMBINATION CONCRETE CURB & GUTTER TYPE M (SPECIAL)	CONCRETE CURB, TYPE B	CONCRETE MEDIAN SURFACE, 4 INCH	BITUMINOUS MATERIALS (TACK COAT)	LONGITUDINAL JOINT SEALANT	HOT-MIX ASPHALT PAVEMENT (FULL-DEPTH) 10-1/2"
STATIONING	LENGTH	SQ YD																
FROM	TO	FEET																
PR RAMP C																		
4006+60.00	4013+99.90	739.9	2384.1	19.9	-	-	-	-	-	-	-	-	-	-	-	929.9	-	1315.4
4013+99.90	4016+39.90	240	906.7	7.6	-	-	-	-	-	-	-	-	-	-	-	391.6	240.0	560.0
4016+39.90	4017+41.00	101.1	438.1	3.7	-	-	-	-	-	-	-	-	-	-	-	202.9	101.1	292.1
4017+41.00	4018+26.50	85.5	361.0	3.0	-	247.0	95.0	4.6	38.0	-	-	-	-	-	-	-	-	-
4018+26.50	4018+55.00	28.5	102.5	0.9	-	82.3	-	-	-	45.9	-	-	-	-	-	-	-	-
4018+55.00	4019+95.30	140.3	660.5	5.5	-	565.8	-	-	-	276.5	-	-	-	-	-	-	-	-
4019+95.30	4020+08.90	13.6	82.2	0.7	-	61.1	-	-	-	27.3	-	-	-	-	-	-	-	-
PR RAMP C TOTALS:			4935.1	41.1	0.0	956.2	95.0	4.6	38.0	349.7	0.0	0.0	0.0	0.0	0.0	1524.5	341.1	2167.4
PR RAMP D																		
5000+69.50	5002+28.00	158.5	963.2	8.0	-	545.6	-	-	-	317.4	-	-	-	-	-	-	-	-
5002+28.00	5002+38.30	10.3	53.5	0.4	-	44.8	-	-	-	10.3	-	-	-	-	-	-	-	-
5002+38.30	5004+44.50	206.2	1040.2	8.7	-	-	-	-	-	-	-	-	-	-	-	529.8	206.2	743.7
5004+44.50	5006+74.50	230	1047.8	8.7	-	-	-	-	-	-	-	-	-	-	-	497.8	230.0	718.1
5006+74.50	5009+18.70	244.2	949.7	7.9	-	-	-	-	-	-	-	-	-	-	-	416.8	244.2	596.9
5009+18.70	5011+75.90	257.2	828.8	6.9	-	-	-	-	-	-	-	-	-	-	-	323.3	-	457.2
PR RAMP D TOTALS:			4883.1	40.7	0.0	590.4	0.0	0.0	0.0	327.7	0.0	0.0	0.0	0.0	0.0	1767.7	680.4	2516.0
COLES CENTER DR (WB IL 16 STA.)																		
144+05.10	144+55.10	50.0	-	-	-	-	-	-	-	52.7	-	-	-	-	-	-	-	-
COLES CENTRE DR TOTALS:			0.0	0.0	0.0	0.0	0.0	0.0	0.0	52.7	0.0	0.0	0.0	0.0	0.0	0.0	0.0	0.0
STAGE 3B TOTALS:			24665.3	205.5	325.0	12396.3	1016.6	49.4	363.3	3453.4	30.2	800.6	439.7	340.1	823.9	3292.2	1021.5	4683.5

MODEL: SCHEDULES OF QUANTITIES-19 (Sheet)
 FILE NAME: c:\pdk_work\pdk\hrtz\hrtz\hd0852852\D774435-sheets-schedules.dgn

USER NAME = kaleb.hirtzel	DESIGNED -	REVISED -	STATE OF ILLINOIS DEPARTMENT OF TRANSPORTATION	SCHEDULE OF QUANTITIES			F.A.I RTE.	SECTION	COUNTY	TOTAL SHEETS	SHEET NO.
	DRAWN -	REVISED -					57	(15-22HB-4)BR (15-22)R	COLES	1086	52
	CHECKED -	REVISED -		SCALE:			SHEET 20 OF 50 SHEETS STA. TO STA.			CONTRACT NO. 74435	
PLOT DATE = 8/19/2024	DATE -	REVISED -		ILLINOIS		FED. AID PROJECT					

NEW PAVEMENT SCHEDULE STAGE 3C			COMBINATION CONCRETE CURB & GUTTER, TYPE B-6.24	STAMPED COLORED PCC PAVEMENT 9" (JOINTED)	COMBINATION CONCRETE CURB & GUTTER TYPE M (SPECIAL)	CONCRETE CURB, TYPE B	AGGREGATE BASE COURSE, TYPE A 12"	CONCRETE MEDIAN SURFACE, 4 INCH
STATIONING		LENGTH	FOOT	SQ YD	FOOT	FOOT	SQ YD	SQ FT
FROM	TO	FEET	FOOT	SQ YD	FOOT	FOOT	SQ YD	SQ FT
EB IL 16								
109+41.30	110+81.60	140.30	146.9	-	-	-	50.3	-
110+81.60	112+70.30	188.70	-	-	-	-	-	-
112+70.30	117+22.30	452.00	469.5	-	-	-	160.8	-
117+22.30	117+84.50	62.20	-	4.4	66.7	41.3	20.0	-
117+84.50	119+62.30	177.80	-	-	-	-	-	-
119+62.30	120+41.10	78.80	91.8	-	-	-	31.4	-
EB IL 16 TOTALS:			708.2	4.4	66.7	41.3	262.6	0.0
RAINDROP								
209+21.90	209+42.50	20.6	25.6	-	-	-	240.3	-
217+99.50	218+24.70	25.2	31.3	-	-	-	8.8	-
209+16.50	209+98.90	82.4	-	211.1	80.1	49.9	310.2	-
212+97.50	214+41.40	143.9	-	-	-	-	-	824.4
217+31.20	218+33.00	101.8	-	274.3	98.9	60.2	10.7	-
RAINDROP TOTALS:			56.9	485.5	179.0	110.1	570.0	824.4
STAGE 3C TOTALS:			765.1	489.8	245.7	151.4	832.6	824.4

NEW PAVEMENT SCHEDULE STAGE 3E			PROCESSING LIME STABILIZED SOIL MIXTURE 12"	LIME	BITUMINOUS MATERIALS (TACK COAT)	LONGITUDINAL JOINT SEALANT	HOT-MIX ASPHALT PAVEMENT (FULL-DEPTH) 10-1/2"	PORTLAND CEMENT CONCRETE SHOULDERS 8"
STATIONING		LENGTH	SQ YD	TON	POUND	FOOT	SQ YD	SQ YD
FROM	TO	FEET	SQ YD	TON	POUND	FOOT	SQ YD	SQ YD
PR RAMP A								
2006+59.70	2013+88.70	729.0	2592.0	21.6	916.2	-	1296.0	-
2013+88.70	2014+16.70	28.0	90.2	0.8	35.2	-	49.8	-
2014+16.70	2016+56.70	240.0	906.7	7.6	391.6	240.0	560.0	-
2016+56.70	2017+50.00	93.3	404.3	3.4	187.2	93.3	269.5	-
PR RAMP A TOTALS:			3993.2	33.3	1530.3	333.3	2175.3	0.0
WB IL 16								
102+63.40	103+73.20	109.8	-	-	-	-	-	85.4
103+73.20	106+25.00	251.8	-	-	-	-	-	111,911
WB IL 16 TOTALS:			0.0	0.0	0.0	0.0	0.0	197.3
STAGE 3E TOTALS:			3993.2	33.3	1530.3	333.3	2175.3	197.3

NEW PAVEMENT SCHEDULE STAGE 3F			PROCESSING LIME STABILIZED SOIL MIXTURE 12"	LIME	BITUMINOUS MATERIALS (TACK COAT)	LONGITUDINAL JOINT SEALANT	HOT-MIX ASPHALT PAVEMENT (FULL-DEPTH) 10 1/2"	PORTLAND CEMENT CONCRETE SHOULDERS 8"
STATIONING		LENGTH	SQ YD	TON	POUND	FOOT	SQ YD	SQ YD
FROM	TO	FEET	SQ YD	TON	POUND	FOOT	SQ YD	SQ YD
PR RAMP B								
3001+86.50	3002+88.00	101.5	470.8	3.9	225.0	-	324.2	-
3002+88.00	3004+37.20	149.2	679.7	5.7	321.8	149.2	464.2	-
3004+37.20	3006+77.20	240.0	622.2	5.2	409.6	240.0	586.7	-
3006+77.20	3011+97.70	520.5	1677.2	14.0	654.2	520.5	925.3	-
PR RAMP B TOTALS:			3449.9	28.7	1610.6	909.7	2300.4	0.0
WB IL 16								
126+13.30	126+73.60	60.3	-	-	-	-	-	46.9
126+73.60	126+98.60	25.0	-	-	-	-	-	20.8
126+98.60	127+23.60	25.0	-	-	-	-	-	22.2
127+23.60	127+33.60	10.0	-	-	-	-	-	9.2
127+33.60	127+45.60	12.0	-	-	-	-	-	10.5
127+45.60	128+33.40	87.8	-	-	-	-	-	74.1
WB IL 16 TOTALS:			0.0	0.0	0.0	0.0	0.0	183.7
STAGE 3F TOTALS:			3449.9	28.7	1610.6	909.7	2300.4	183.7

LINCOLN PRAIRIE GRASS TRAIL PAVING SCHEDULE PRE-STAGE				HOT-MIX ASPHALT SURFACE COURSE, IL-9.5, MIX "C", N70
STATION		LENGTH	WIDTH	TON
TO	FROM	FEET	FEET	TON
100+74.75	101+14.75	40	10	5.0
103+87.25	104+27.25	40	10	5.0
PRE-STAGE TOTALS:				10.0

MODEL: SCHEDULES OF QUANTITIES-20 (Sheet)
FILE NAME: c:\p\work\civil\hrtz\hrtz\100852852\0774435-sheets-Schedules.dgn

RESURFACING SCHEDULE STAGE 1			HOT-MIX ASPHALT SURFACE REMOVAL, 1-1/2"	HOT-MIX SURFACE REMOVAL, VARIABLE DEPTH	HOT-MIX ASPHALT SURFACE REMOVAL - BUTT JOINT	LONGITUDINAL JOINT SEALANT	BITUMINOUS MATERIALS (TACK COAT)	HOT-MIX ASPHALT BINDER COURSE, IL-19.0, N90	POLYMERIZED HOT-MIX ASPHALT BINDER COURSE, IL 19.0, N90	HOT-MIX ASPHALT SURFACE COURSE, IL-9.5, MIX "C", N70	POLYMERIZED HOT-MIX ASPHALT SURFACE COURSE, IL-9.5, MIX "D", N90	POLYMERIZED HOT-MIX ASPHALT SURFACE COURSE, SMA, 12.5, MIX "E", N80	MATERIAL TRANSFER DEVICE	HOT-MIX ASPHALT SHOULDERS	AGGREGATE WEDGE SHOULDERS, TYPE B
STATIONING		LENGTH	SQ YD	SQ YD	SQ YD	FOOT	POUND	TON	TON	TON	TON	TON	TON	TON	TON
FROM	TO	(FEET)													
SB I-57															
760+60.00	762+00.00	140.00	-	-	591.1	140.0	252.0	-	62.7	-	-	48.5	111.3	61.0	8.0
762+00.00	764+00.00	200.00	-	844.4	-	200.0	360.0	-	89.6	-	-	69.3	158.9	87.1	11.4
764+00.00	779+35.90	1535.90	-	6484.9	-	2817.3	2764.6	-	688.1	-	-	532.4	1220.5	191.1	43.7
779+35.90	779+45.89	9.99	-	26.6	-	10.0	24.0	3.4	4.8	-	-	3.5	8.2	-	-
779+45.89	781+59.85	213.96	-	570.6	-	214.0	1171.7	238.0	95.9	-	-	74.2	170.0	-	-
781+59.85	782+67.06	107.21	-	-	-	-	-	-	-	-	-	-	-	-	-
782+67.06	787+26.44	459.38	-	-	-	-	-	-	-	-	-	-	-	-	-
787+26.44	787+41.44	15.00	-	-	-	-	-	-	-	-	-	-	-	-	-
787+41.44	787+71.44	30.00	-	-	-	-	-	-	-	-	-	-	-	-	-
787+71.44	789+63.44	192.00	-	-	-	-	-	-	-	-	-	-	-	-	-
789+63.44	789+93.44	30.00	-	-	-	-	-	-	-	-	-	-	-	-	-
789+93.44	790+08.44	15.00	-	-	-	-	-	-	-	-	-	-	-	-	-
790+08.44	793+98.00	389.56	-	-	-	-	-	-	-	-	-	-	-	-	-
793+98.00	795+57.47	159.47	-	-	-	-	-	-	-	-	-	-	-	-	-
795+57.47	799+15.14	357.67	-	953.8	-	357.7	1810.2	388.3	160.2	-	-	124.0	284.2	-	-
799+15.14	799+41.48	26.34	-	70.2	-	26.3	63.2	8.9	13.0	-	-	9.1	22.1	-	-
799+41.48	801+28.90	187.42	583.1	-	-	187.4	337.4	-	102.7	-	-	65.0	167.7	-	-
801+28.90	801+75.29	45.60	-	144.3	-	80.9	82.1	-	27.7	-	-	16.1	43.8	-	-
801+75.29	802+85.00	110.50	-	365.7	-	219.4	198.9	-	71.0	-	-	38.0	109.1	20.5	3.1
802+85.00	805+64.00	279.00	-	930.0	-	558.0	502.2	-	130.5	-	-	96.7	227.2	52.1	7.9
805+64.00	807+06.00	142.00	-	473.3	-	284.0	255.6	54.7	63.6	-	-	49.2	112.8	-	4.0
807+06.00	809+42.00	236.00	-	-	-	-	-	-	-	-	-	-	-	-	-
809+42.00	810+00.00	58.00	-	193.3	-	116.0	104.4	21.3	26.0	-	-	20.1	46.1	10.8	1.7
810+00.00	810+96.00	96.00	-	426.7	-	96.0	172.8	32.3	43.0	-	-	33.3	76.3	47.8	2.7
810+96.00	812+39.46	143.46	-	637.6	-	143.5	258.2	-	74.1	-	-	49.7	123.9	71.4	0.2
812+39.46	813+79.46	140.00	-	-	653.3	140.0	252.0	-	62.7	-	-	48.5	111.3	69.7	-
813+79.46	815+87.97	208.51	-	-	-	-	-	-	-	-	-	-	-	-	-
815+87.97	817+27.97	140.00	-	-	653.3	140.0	252.0	-	62.7	-	-	48.5	111.3	69.7	-
817+27.97	820+20.00	292.03	1297.9	1297.9	-	292.0	87.6	-	130.8	-	-	101.2	232.1	145.4	8.2
820+20.00	839+03.00	1883.00	7950.4	7950.4	-	1883.0	3389.4	-	843.6	-	-	652.8	1496.4	820.2	97.6
839+03.00	839+29.00	26.00	109.8	109.8	-	26.0	46.8	-	11.6	-	-	9.0	20.7	11.3	1.5
839+29.00	839+40.00	11.00	-	-	46.4	11.0	19.8	-	4.9	-	-	3.8	8.7	4.8	0.3
839+40.00	839+51.00	11.00	-	-	46.4	11.0	19.8	-	4.9	-	-	3.8	8.7	5.8	0.3
839+51.00	840+69.00	118.00	-	-	498.2	118.0	212.4	-	52.9	-	-	40.9	93.8	73.4	6.7
SB I-57 TOTALS:			9941.2	21479.7	2488.9	8071.5	12637.1	746.8	2827.2	0.0	0.0	2137.8	4965.0	1742.1	197.4

MODEL: SCHEDULES OF QUANTITIES-21 (Sheet)
FILE NAME: c:\pdx_work\pdx\hrtz\hrtz\0652852\074435-sheets-schedules.dgn

USER NAME = kaleb.hirtzel	DESIGNED -	REVISED -
	DRAWN -	REVISED -
	CHECKED -	REVISED -
PLOT DATE = 8/19/2024	DATE -	REVISED -

**STATE OF ILLINOIS
DEPARTMENT OF TRANSPORTATION**

SCHEDULE OF QUANTITIES

SCALE: SHEET 22 OF 50 SHEETS STA. TO STA.

F.A.I. RTE.	SECTION	COUNTY	TOTAL SHEETS	SHEET NO.
57	(15-22HB-4)BR (15-22)R	COLES	1086	54
CONTRACT NO. 74435				
ILLINOIS FED. AID PROJECT				

MODEL: SCHEDULES OF QUANTITIES-23 (Sheet)
FILE NAME: c:\pex_work\pwt\hrtz\hd0852852\DT74435-sheets-Schedules.dgn

RESURFACING SCHEDULE STAGE 2			HOT-MIX ASPHALT SURFACE REMOVAL, 1-1/2"	HOT-MIX SURFRFACE REMOVAL, VARIABLE DEPTH	HOT-MIX ASPHALT SURFACE REMOVAL - BUTT JOINT	LONGITUDINAL JOINT SEALANT	BITUMINOUS MATERIALS (TACK COAT)	HOT-MIX ASPHALT BINDER COURSE, IL-19.0, N90	POLYMERIZED HOT-MIX ASPHALT BINDER COURSE, IL 19.0, N90	HOT-MIX ASPHALT SURFACE COURSE, IL-9.5, MIX "C", N70	POLYMERIZED HOT-MIX ASPHALT SURFACE COURSE, IL-9.5, MIX "D", N90	POLYMERIZED HOT-MIX ASPHALT SURFACE COURSE, SMA, 12.5, MIX "E", N80	MATERIAL TRANSFER DEVICE	HOT-MIX ASPHALT SHOULDERS	AGGREGATE WEDGE SHOULDERS, TYPE B
STATIONING		LENGTH	SQ YD	SQ YD	SQ YD	FOOT	POUND	TON	TON	TON	TON	TON	TON	TON	TON
FROM	TO	(FEET)													
NB I-57															
760+60.00	762+00.00	140.00	-	-	591.1	140.0	252.0	-	62.7	-	-	48.5	111.3	61.0	8.0
762+00.00	767+50.00	550.00	-	2322.2	-	550.0	990.0	-	246.4	-	-	190.7	437.1	239.6	31.3
767+50.00	778+17.86	1067.86	-	4508.7	-	1727.9	1922.1	-	478.4	-	-	370.2	848.6	132.9	30.4
778+17.86	778+48.30	30.44	-	94.7	-	30.4	54.8	-	13.6	-	-	10.6	24.2	4.5	0.9
778+48.30	779+28.30	80.00	-	213.3	-	80.0	192.0	-	43.7	-	-	27.7	71.5	-	-
779+28.30	781+35.00	206.70	-	551.2	-	206.7	25.6	227.8	92.6	-	-	71.7	164.3	-	-
781+35.00	782+43.00	108.00	-	-	-	-	-	-	-	-	-	-	-	-	-
782+43.00	784+83.94	240.94	-	-	-	-	-	-	-	-	-	-	-	-	-
784+83.94	785+05.94	22.00	-	-	-	-	-	-	-	-	-	-	-	-	-
785+05.94	787+24.37	218.43	-	-	-	-	-	-	-	-	-	-	-	-	-
787+24.37	787+39.37	15.00	-	-	-	-	-	-	-	-	-	-	-	-	-
787+39.37	787+54.37	15.00	-	-	-	-	-	-	-	-	-	-	-	-	-
787+54.37	787+69.37	15.00	-	-	-	-	-	-	-	-	-	-	-	-	-
787+69.37	789+61.37	192.00	-	-	-	-	-	-	-	-	-	-	-	-	-
789+61.37	789+76.37	15.00	-	-	-	-	-	-	-	-	-	-	-	-	-
789+76.37	789+91.37	15.00	-	-	-	-	-	-	-	-	-	-	-	-	-
789+91.37	790+06.37	15.00	-	-	-	-	-	-	-	-	-	-	-	-	-
790+06.37	790+87.24	80.87	-	-	-	-	-	-	-	-	-	-	-	-	-
790+87.24	791+22.00	34.76	-	-	-	-	-	-	-	-	-	-	-	-	-
791+22.00	794+22.30	300.30	-	-	-	-	-	-	-	-	-	-	-	-	-
794+22.30	795+68.00	145.70	-	-	-	-	-	-	-	-	-	-	-	-	-
795+68.00	798+52.77	284.77	-	759.4	-	284.8	31.5	294.3	127.6	-	-	98.7	226.3	-	-
798+52.77	798+90.40	37.63	-	100.3	-	37.6	90.3	-	19.7	-	-	13.0	32.7	-	-
798+90.40	800+74.10	183.70	-	571.5	-	183.7	330.7	-	82.3	-	-	63.7	146.0	-	-
800+74.10	801+36.00	61.90	261.4	-	-	1337.8	111.4	-	11.9	-	-	21.5	33.3	-	-
801+36.00	801+80.50	44.50	-	138.4	-	44.5	80.1	-	26.6	-	-	15.4	42.0	-	-
801+80.50	803+87.70	207.20	-	690.7	-	207.2	373.0	-	123.8	-	-	71.8	195.6	46.4	5.9
803+87.70	807+17.00	329.30	-	1097.7	-	329.3	790.3	141.1	147.5	-	-	114.2	261.7	61.5	9.4
807+17.00	809+53.00	236.00	-	-	-	-	-	-	-	-	-	-	-	-	-
809+53.00	810+53.60	100.60	-	335.3	-	100.6	241.4	34.3	45.1	-	-	34.9	79.9	921.5	102.1
810+53.60	811+23.47	69.87	-	232.9	-	69.9	125.8	-	31.3	-	-	24.2	55.5	34.7	2.0
811+23.47	811+45.47	22.00	-	73.3	-	22.0	39.6	-	9.9	-	-	7.6	17.5	20.6	-
811+45.47	812+39.36	93.89	-	313.0	-	93.9	169.0	-	42.1	-	-	32.5	74.6	14.8	-
812+39.36	813+50.00	110.64	-	-	515.0	110.6	199.2	-	-	-	-	38.4	38.4	-	-

USER NAME = kaleb.hirtzel	DESIGNED -	REVISED -
	DRAWN -	REVISED -
	CHECKED -	REVISED -
PLOT DATE = 8/19/2024	DATE -	REVISED -

**STATE OF ILLINOIS
DEPARTMENT OF TRANSPORTATION**

SCHEDULE OF QUANTITIES			
SCALE:	SHEET 24	OF 50 SHEETS	STA. TO STA.

F.A.I. RTE. 57	SECTION (15-22HB-4)BR (15-22)R	COUNTY COLES	TOTAL SHEETS 1086	SHEET NO. 56
CONTRACT NO. 74435				
ILLINOIS FED. AID PROJECT				

PIPE UNDERDRAIN SCHEDULE STAGE 3				PIPE UNDERDRAINS 6" (MODIFIED)
ROUTE	STATIONING		SIDE	
	FROM	TO		
STAGE 3B				
NB I-57	774+15.0	778+17.9	RT	402.9
SB I-57	776+87.3	779+31.0	LT	243.7
PR RAMP C	4006+60.0	4018+25.0	RT	1165.0
PR RAMP D	5002+40.0	5011+71.0	RT	931.0
STAGE 3B TOTALS:				2742.6
STAGE 3E				
SB I-57	799+46.5	803+37.0	LT	390.5
PR RAMP A	2006+59.7	2017+47.0	RT	1087.3
STAGE 3E TOTALS:				1477.8
STAGE 3F				
NB I-57	798+90.4	800+66.9	RT	176.5
PR RAMP B	3001+93.7	3011+92.8	RT	999.1
STAGE 3 F TOTALS:				1175.6
STAGE 3 TOTALS:				5396.0

PIPE UNDERDRAIN OUTLET SCHEDULE STAGE 3				PIPE UNDERDRAINS 6" (SPECIAL)	PIPE UNDERDRAIN REMOVAL (SPECIAL)	REINFORCEMENT BARS	CLASS SI CONCRETE (MISCELLANEOUS)	RODENT SHIELDS
ROUTE	STATION	SIDE	FOOT	FOOT	POUND	CU YD	EACH	
STAGE 3B								
NB I-57	774+15.0	RT	54.3	-	35.6	1.5	1	
NB I-57	778+17.8	RT	-	38.5	35.6	1.5	1	
SB I-57	776+87.3	LT	52.4	-	35.6	1.5	1	
SB I-57	779+30.9	LT	-	29.6	35.6	1.5	1	
PR RAMP C	4012+36.0	RT	18.5	-	35.6	1.5	1	
PR RAMP C	4015+36.0	RT	35.4	-	35.6	1.5	1	
PR RAMP C	4018+25.0	RT	82.5	-	35.6	1.5	1	
PR RAMP D	5002+40.0	RT	103.6	-	35.6	1.5	1	
PR RAMP D	5005+00.0	RT	96.3	-	35.6	1.5	1	
PR RAMP D	5008+00.0	RT	27.7	-	35.6	1.5	1	
PR RAMP D	5011+71.0	RT	-	-	35.6	1.5	1	
STAGE 3B TOTALS:			470.7	68.1	391.6	16.5	11	
STAGE 3E								
SB I-57	799+46.5	LT	-	28.7	35.6	1.5	1	
SB I-57	803+37.0	LT	60.7	-	35.6	1.5	1	
PR RAMP A	2012+62.0	RT	10.4	-	35.6	1.5	1	
PR RAMP A	2017+47.0	RT	31.0	-	35.6	1.5	1	
STAGE 3E TOTALS:			102.1	28.7	142.4	6.0	4	
STAGE 3F								
NB I-57	798+90.4	RT	-	24.4	35.6	1.5	1	
NB I-57	800+66.9	RT	49.2	-	35.6	1.5	1	
PR RAMP B	3001+93.7	RT	84.8	-	35.6	1.5	1	
PR RAMP B	3006+93.0	RT	15.0	-	35.6	1.5	1	
PR RAMP B	3011+92.7	RT	-	-	35.6	1.5	1	
STAGE 3F TOTALS:			149.0	24.4	178.0	7.5	5	
STAGE 3 TOTALS:			721.8	121.2	712.0	30.0	20	

I-57 SHOULDER EXCAVATION STAGES 1 & 2					EXCAVATING AND GRADING EXISTING SHOULDER
STATIONING		LENGTH	WIDTH	UNIT	
FROM	TO	FEET	FEET		
SB I-57 - STAGE 1					
815+88.0	818+29.3	241.3	6		4.8
818+29.3	818+57.1	27.9	6.5		0.6
818+57.1	818+89.4	32.2	7		0.6
818+89.4	819+01.2	11.9	6		0.2
819+01.2	821+16.8	215.5	3		4.3
821+16.8	821+41.8	25.0	3.5		0.3
821+41.8	821+76.8	35.0	4		0.4
821+76.8	821+88.8	12.0	3		0.1
STAGE 1 TOTAL:					11.3
NB I-57 - STAGE 2					
811+23.5	811+35.5	12.0	3		0.1
811+35.5	811+70.5	35.0	4		0.4
811+70.5	811+95.5	25.0	3.5		0.3
811+95.5	813+50.0	154.5	3		1.5
813+50.0	813+79.5	29.5	6		0.6
815+88.1	820+04.4	416.3	3		4.2
835+80.8	835+92.8	12.0	3		0.1
835+92.8	836+27.8	35.0	4		0.4
836+27.8	836+52.8	25.0	3.5		0.3
836+52.8	838+65.3	212.5	3		2.1
STAGE 2 TOTAL:					9.9

HMA SHOULDERS 4" SCHEDULE STAGE 1			EXCAVATING AND GRADING EXISTING SHOULDER	HOT-MIX ASPHALT SHOULDERS, 4"	AGGREGATE WEDGE SHOULDERS, TYPE B
STATIONING		LENGTH			
FROM	TO	FEET	UNIT	SQ YD	SQ YD
EB IL 16					
112+27.0	112+57.0	30.0	-	-	4.2
112+57.0	116+90.4	433.4	4.3	288.9	13.7
116+90.4	117+20.4	30.0	-	-	4.2
EB IL 16 TOTALS:			4.3	288.9	22.1
WB IL 16					
113+47.0	113+77.0	30.0	-	-	4.2
113+77.0	116+87.0	310.0	3.1	206.7	9.8
116+87.0	117+17.0	30.0	-	-	4.2
WB IL 16 TOTALS:			3.1	206.7	18.2
STAGE 1 TOTALS:			7.4	495.6	40.2

HMA SHOULDERS 8" SCHEDULE STAGE 1				SUBBASE GRANULAR MATERIAL, TYPE C	HOT-MIX ASPHALT SHOULDERS, 8"	AGGREGATE SHOULDERS, TYPE B 6"
STATIONING		LENGTH				
FROM	TO	FEET	TON	SQ YD	SQ YD	
PR RAMP A						
2000+00.00	2002+66.77	266.8	-	-	-	
2002+66.77	2002+99.52	32.8	4.0	32.8	-	
2002+99.52	2003+99.38	99.9	12.1	99.9	-	
2003+99.38	2006+59.71	260.3	31.6	260.3	-	
PR RAMP A TOTALS:			47.8	392.9	0.0	
PR RAMP D						
5011+75.93	5015+06.00	330.1	26.7	220.0	73.3	
5015+06.00	5016+06.00	100.0	8.1	66.7	22.2	
5016+06.00	5021+20.00	514.0	41.6	342.7	114.2	
5021+20.00	5024+55.80	335.8	-	-	-	
PR RAMP D TOTALS:			76.4	629.4	209.8	
STAGE 1 TOTALS:			124.2	1022.3	209.8	

HMA SHOULDERS 8" SCHEDULE STAGE 2				SUBBASE GRANULAR MATERIAL, TYPE C	HOT-MIX ASPHALT SHOULDERS, 8"	AGGREGATE SHOULDERS, TYPE B 6"
STATIONING		LENGTH				
FROM	TO	FEET	TON	SQ YD	SQ YD	
PR RAMP B						
3011+97.74	3015+22.34	324.6	39.4	324.6	-	
3015+22.34	3016+40.00	117.7	14.3	117.7	-	
3016+40.00	3024+72.21	832.2	-	-	-	
PR RAMP B TOTALS:			53.7	442.3	0.0	
PR RAMP C						
4000+00.00	4003+00.00	300.0	-	-	-	
4003+00.00	4004+00.00	100.0	8.1	66.7	22.2	
4004+00.00	4006+60.00	260.0	21.1	173.3	57.8	
PR RAMP C TOTALS:			29.2	240.0	80.0	
STAGE 2 TOTALS:			83.0	682.3	80.0	

MODEL: SCHEDULES OF QUANTITIES-27 (Sheet)
FILE NAME: c:\pdx_work\w01\hrtzel\10652852\0774435-sheets-Schedules.dgn

USER NAME = kaleb.hirtzel	DESIGNED -	REVISED -
	DRAWN -	REVISED -
	CHECKED -	REVISED -
PLOT DATE = 8/19/2024	DATE -	REVISED -

**STATE OF ILLINOIS
DEPARTMENT OF TRANSPORTATION**

SCHEDULE OF QUANTITIES

SCALE: SHEET 28 OF 50 SHEETS STA. TO STA.

F.A.I. RTE.	SECTION	COUNTY	TOTAL SHEETS	SHEET NO.
57	(15-22HB-4)BR (15-22)R	COLES	1086	60
CONTRACT NO. 74435				
ILLINOIS		FED. AID PROJECT		

HMA SHOULDERS 8" SCHEDULE STAGE 3B			HOT-MIX ASPHALT SHOULDERS, 8"	SUBBASE GRANULAR MATERIAL, TYPE C	AGGREGATE SHOULDERS, TYPE B 6"
STATIONING		LENGTH			
FROM	TO	FEET	SQ YD	TON	SQ YD
EB IL 16					
95+96.0	99+64.0	368.0	408.9	-	81.8
99+64.0	102+06.0	242.0	-	-	53.8
127+76.0	128+62.0	86.0	95.5	-	19.1
128+62.0	128+00.0	STA. EQU.	-	-	-
128+00.0	135+93.5	793.5	881.7	-	176.3
EB IL 16 TOTALS:			1386.1	0.0	331.0
PR RAMP C					
4006+60.0	4013+99.9	739.9	822.1	99.9	328.8
4013+99.9	4016+39.9	240.0	266.7	32.4	106.7
4016+39.9	4017+41.0	101.1	112.3	13.7	44.9
4017+41.0	4018+26.5	85.5	-	-	-
4018+26.5	4018+55.0	28.5	-	-	-
4018+55.0	4019+95.3	140.3	-	-	-
4019+95.3	4020+08.9	13.6	-	-	-
PR RAMP C TOTALS:			1201.1	146.0	480.4
PR RAMP D					
5000+69.5	5002+28.0	158.5	-	-	-
5002+28.0	5002+38.3	10.3	-	-	-
5002+38.3	5004+44.5	206.2	229.1	27.8	91.6
5004+44.5	5006+74.5	230.0	255.6	31.1	102.2
5006+74.5	5009+18.7	244.2	271.3	33.0	108.5
5009+18.7	5011+75.9	257.2	285.8	34.7	114.3
PR RAMP D TOTALS:			1041.8	126.6	416.7
STAGE 3B TOTALS:			3629.0	272.6	1228.1

HMA SHOULDERS 8" SCHEDULE STAGE 3E			HOT-MIX ASPHALT SHOULDERS, 8"	SUBBASE GRANULAR MATERIAL, TYPE C	AGGREGATE SHOULDERS, TYPE B 6"
STATIONING		LENGTH			
FROM	TO	FEET	SQ YD	TON	SQ YD
WB IL 16					
94+46.5	102+63.4	816.9	907.7	-	181.5
WB IL 16 TOTALS:			907.7	0.0	181.5
PR RAMP A					
2006+59.7	2013+88.7	729.0	1053.0	128.0	162.0
2013+88.7	2014+16.7	28.0	31.1	3.8	12.4
2014+16.7	2016+56.7	240.0	266.7	32.4	106.7
2016+56.7	2017+50.0	93.3	103.7	12.6	41.5
PR RAMP A TOTALS:			1454.4	176.8	322.6
STAGE 3E TOTALS:			2362.1	176.8	504.1

HMA SHOULDERS 8" SCHEDULE STAGE 3F			HOT-MIX ASPHALT SHOULDERS, 8"	SUBBASE GRANULAR MATERIAL, TYPE C	AGGREGATE SHOULDERS, TYPE B 6"
STATIONING		LENGTH			
FROM	TO	FEET	SQ YD	TON	SQ YD
WB IL 16					
128+33.3	128+62.0	28.7	31.9	-	25.9
128+62.0	128+00.0	STA. EQU.	-	-	-
128+00.0	132+82.9	482.9	536.6	-	107.3
WB IL 16 TOTALS:			568.4	0.0	133.2
PR RAMP B					
3001+86.5	3002+88.0	101.5	112.8	13.7	45.1
3002+88.0	3004+37.2	149.2	165.8	20.1	66.3
3004+37.2	3006+77.2	240.0	266.7	32.4	106.7
3006+77.2	3007+33.0	55.8	62.0	7.5	24.8
3007+33.0	3007+45.0	12.0	16.0	1.9	5.3
3007+45.0	3007+80.0	35.0	54.4	6.6	15.6
3007+80.0	3008+05.0	25.0	37.5	4.6	11.1
3008+05.0	3011+97.7	392.7	567.2	68.9	174.1
PR RAMP B TOTALS:			1282.4	155.8	449.0
STAGE 3F TOTALS:			1850.8	155.8	582.1

HMA SHOULDERS 16" SCHEDULE STAGE 1			SUBBASE GRANULAR MATERIAL, TYPE C	HOT-MIX ASPHALT SHOULDERS, 16"	AGGREGATE SHOULDERS, TYPE B 6"
STATIONING		LENGTH			
FROM	TO	FEET	TON	SQ YD	SQ YD
SB I-57					
760+60.00	762+00.00	140.0	-	-	-
762+00.00	764+00.00	200.0	-	-	-
764+00.00	779+35.90	1535.9	-	-	-
779+35.90	779+45.89	10.0	7.9	159.8	2.2
779+45.89	781+59.85	214.0	169.9	3423.4	95.1
781+59.85	782+67.06	107.2	-	1715.4	47.6
782+67.06	786+57.46	390.4	-	6246.4	173.5
786+57.46	787+26.44	69.0	-	1310.6	-
787+26.44	787+41.44	15.0	-	-	-
787+41.44	787+71.44	30.0	-	-	-
787+71.44	789+63.44	192.0	-	-	-
789+63.44	789+93.44	30.0	-	-	-
789+93.44	790+08.44	15.0	-	-	-
790+08.44	791+90.98	182.5	-	4015.9	-
791+90.98	792+15.98	25.0	-	575.0	-
792+15.98	792+50.98	35.0	-	840.0	-
792+50.98	792+62.99	12.0	-	264.2	-
792+62.99	793+98.00	135.0	-	2160.2	60.0
793+98.00	795+57.47	159.5	-	2551.5	70.9
795+57.47	799+15.14	357.7	284.3	5722.7	159.0
799+15.14	799+41.48	26.3	20.9	421.4	5.9
799+41.48	801+75.29	233.8	-	1402.9	52.0
801+75.29	801+81.25	6.0	-	-	-
801+81.25	807+06.00	524.8	-	-	-
807+06.00	809+42.00	236.0	-	3776.0	-
809+42.00	810+00.00	58.0	-	-	-
810+00.00	812+39.46	239.5	-	-	-
812+39.46	813+79.46	140.0	-	-	-
813+79.46	815+87.97	208.5	-	-	-
815+87.97	817+27.97	140.0	-	-	-
817+27.97	820+20.00	292.0	-	-	-
820+20.00	839+03.00	1883.0	-	-	-
839+03.00	839+29.00	26.0	-	-	-
839+29.00	839+40.00	11.0	-	-	-
839+40.00	839+51.00	11.0	-	-	-
839+51.00	840+69.00	118.0	-	-	-
SB I-57 TOTALS:			483.0	34585.4	666.1

HMA SHOULDERS 16" SCHEDULE STAGE 1			SUBBASE GRANULAR MATERIAL, TYPE C	HOT-MIX ASPHALT SHOULDERS, 16"	AGGREGATE SHOULDERS, TYPE B 6"
STATIONING		LENGTH			
FROM	TO	FEET	TON	SQ YD	SQ YD
PR RAMP A					
2000+00.00	2002+66.77	266.8	-	276.8	-
2002+66.77	2002+99.52	32.8	-	-	-
2002+99.52	2003+99.38	99.9	-	-	-
2003+99.38	2006+59.71	260.3	121.4	384.2	-
PR RAMP A TOTALS:			121.4	661.0	0.0
PR RAMP D					
5011+75.93	5015+06.00	330.1	98.4	311.3	-
5015+06.00	5016+06.00	100.0	-	-	-
5016+06.00	5021+20.00	514.0	-	-	-
5021+20.00	5024+55.80	335.8	-	263.2	74.6
PR RAMP D TOTALS:			98.4	574.5	74.6
STAGE 1 TOTALS:			702.8	35820.9	740.8

MODEL: SCHEDULES OF QUANTITIES-28 (Sheet)
 FILE NAME: c:\pdx_work\wrt\hrtz\hrtz\id0852852\DT74435-sheets-Schedules.dgn

USER NAME = kaleb.hirtzel	DESIGNED -	REVISED -
	DRAWN -	REVISED -
	CHECKED -	REVISED -
PLOT DATE = 9/26/2025	DATE -	REVISED -

**STATE OF ILLINOIS
DEPARTMENT OF TRANSPORTATION**

SCHEDULE OF QUANTITIES

SCALE: SHEET 29 OF 50 SHEETS STA. TO STA.

F.A.I RTE.	SECTION	COUNTY	TOTAL SHEETS	SHEET NO.
57	(15-22HB-4)BR (15-22)R	COLES	1086	61
CONTRACT NO. 74435				
ILLINOIS FED. AID PROJECT				

MODEL - SCHEDULES OF QUANTITIES-29 (Sheet)
FILE NAME: c:\pdx_work\pdx\hartzel\1005282\074435-shoulders-Schedules.dgn

HMA SHOULDERS 16" SCHEDULE STAGE 2			SUBBASE GRANULAR MATERIAL, TYPE C	HOT-MIX ASPHALT SHOULDERS, 16"	AGGREGATE SHOULDERS, TYPE B 6"
STATIONING		LENGTH			
FROM	TO	FEET	TON	SQ YD	SQ YD
NB I-57					
760+60.00	762+00.00	-	-	-	-
762+00.00	767+50.00	-	-	-	-
767+50.00	778+17.86	-	-	-	-
778+17.86	778+48.30	30.4	-	304.4	-
778+48.30	779+28.30	80.0	-	1280.0	35.6
779+28.30	781+35.00	206.7	164.1	3307.2	91.9
781+35.00	782+43.00	108.0	-	1728.0	48.0
782+43.00	784+83.94	240.9	-	3855.0	107.1
784+83.94	784+95.94	12.0	-	264.0	-
784+95.94	785+30.94	35.0	-	840.0	-
785+30.94	785+55.94	25.0	-	575.0	-
785+55.94	787+24.37	168.4	-	3200.2	-
787+24.37	787+39.37	-	-	-	-
787+39.37	787+54.37	-	-	-	-
787+54.37	787+71.37	-	-	-	-
787+71.37	789+61.37	-	-	-	-
789+61.37	789+76.37	-	-	-	-
789+76.37	789+91.37	-	-	-	-
789+91.37	790+06.37	-	-	-	-
790+06.37	790+37.24	30.9	-	586.5	-
790+37.24	790+62.24	25.0	-	475.0	-
790+62.24	790+87.24	25.0	-	475.0	-
790+87.24	791+09.24	22.0	-	352.0	6.1
791+09.24	794+22.30	313.1	-	5009.0	139.1
794+22.30	795+68.00	145.7	-	2331.2	64.8
795+68.00	798+52.77	284.8	226.1	4556.3	63.3
798+52.77	798+90.40	37.6	-	602.1	8.4
798+90.40	800+74.10	183.7	-	1102.2	40.8
800+74.10	801+36.00	61.9	-	371.4	13.8
801+36.00	801+80.50	44.5	-	267.0	9.9

HMA SHOULDERS 16" SCHEDULE STAGE 3			HOT-MIX ASPHALT SHOULDERS, 16"	AGGREGATE SHOULDERS, TYPE B 6"
ROUTE	STATIONING			
	FROM	TO	FEET	SQ YD
STAGE 3B				
NB I-57	774+10.00	778+17.80	407.8	453.1
SB I-57	776+82.30	779+35.90	253.6	281.8
STAGE 3B TOTALS:				734.9
STAGE 3E				
SB I-57	799+15.10	799+41.50	26.4	5.9
SB I-57	799+41.50	803+39.80	398.3	442.6
STAGE 3E TOTALS:				448.5

HMA SHOULDERS 16" SCHEDULE STAGE 2			SUBBASE GRANULAR MATERIAL, TYPE C	HOT-MIX ASPHALT SHOULDERS, 16"	AGGREGATE SHOULDERS, TYPE B 6"
STATIONING		LENGTH			
FROM	TO	FEET	TON	SQ YD	SQ YD
801+80.50	803+87.70	-	-	-	-
803+87.70	807+17.00	-	-	-	-
807+17.00	809+53.00	236.0	-	3776.0	52.4
809+53.00	810+53.60	-	-	-	-
810+53.60	812+39.64	-	-	-	-
812+39.64	813+50.00	-	-	-	-
813+50.00	813+79.64	-	-	-	-
813+79.64	815+88.05	-	-	-	-
815+88.05	817+28.05	-	-	-	-
817+28.05	820+04.40	-	-	-	-
820+04.40	820+24.40	-	-	-	-
820+24.40	833+60.50	-	-	-	-
833+60.50	835+80.79	-	-	-	-
835+80.79	836+02.79	-	-	-	-
836+02.79	838+65.29	-	-	-	-
838+65.29	839+12.00	-	-	-	-
839+12.00	839+29.00	-	-	-	-
839+29.00	839+62.00	-	-	-	-
839+62.00	840+69.00	-	-	-	-
NB I-57 TOTALS:			390.2	35257.5	681.1
PR RAMP B					
3011+97.74	3015+22.34	324.6	94.5	299.0	-
3015+22.34	3016+40.00	117.7	-	-	-
3016+40.00	3024+72.21	832.2	-	576.8	-
PR RAMP B TOTALS:			94.5	875.9	0.0
PR RAMP C					
4000+00.00	4003+00.00	300.0	-	210.0	66.7
4003+00.00	4004+00.00	100.0	-	-	-
4004+00.00	4006+60.00	260.0	121.3	383.9	-
PR RAMP C TOTALS:			121.3	593.9	66.7
STAGE 2 TOTALS:			606.0	36727.3	747.7

HMA SHOULDERS 16" SCHEDULE STAGE 3			HOT-MIX ASPHALT SHOULDERS, 16"	AGGREGATE SHOULDERS, TYPE B 6"
ROUTE	STATIONING			
	FROM	TO	FEET	SQ YD
STAGE 3F				
NB I-57	798+52.80	798+90.40	37.6	8.4
NB I-57	798+90.40	800+73.20	182.8	203.1
STAGE 3F TOTALS:				211.5
STAGE 3 TOTALS:				1380.6

HMA SHOULDER REMOVAL & REPLACEMENT PRE-STAGE				PAVED SHOULDER REMOVAL	HOT-MIX ASPHALT BASE COURSE, 9"	HOT-MIX ASPHALT BASE COURSE, 12"
STATIONING		LENGTH	SIDE			
FROM	TO	FEET		SQ YD	SQ YD	SQ YD
NB I-57						
735+75.00	772+19.50	3644.5	RT	2834.6	-	2834.6
774+55.50	786+50.00	1194.5	RT	929.1	-	929.1
783+40.00	787+47.50	407.5	LT	181.1	-	181.1
789+83.00	792+83.00	300.0	LT	133.3	-	133.3
791+88.00	799+79.00	791.0	RT	615.2	-	615.2
804+93.50	807+36.00	242.5	RT	188.6	-	188.6
809+36.00	813+80.00	444.0	RT	345.3	-	345.3
815+88.50	841+64.43	2575.9	RT	2003.5	-	2003.5
841+64.43	813+19.43	STA. EQUATION		-	-	-
813+19.43	844+00.00	3080.6	RT	2396.0	-	2396.0
NB I-57 TOTALS:				9626.8	0.0	9626.8
SB I-57						
747+50.00	769+78.50	2228.5	LT	1733.3	1733.3	-
776+48.00	779+36.00	288.0	LT	224.0	224.0	-
799+41.50	801+66.50	225.0	LT	175.0	175.0	-
804+55.00	807+22.50	267.5	LT	208.1	208.1	-
809+23.00	813+79.50	456.5	LT	355.1	355.1	-
815+88.50	841+64.43	2575.9	LT	2003.5	2003.5	-
841+64.43	813+19.43	STA. EQUATION		-	-	-
813+19.43	853+90.00	4070.6	LT	3166.0	3166.0	-
SB I-57 TOTALS:				7864.9	7864.9	0.0
EX WB IL 16						
105+39.00	111+50.00	611.0	LT	543.1	-	543.1
111+50.00	111+97.00	47.0	LT	23.5	-	23.5
EX WB IL 16 TOTALS:				566.6	0.0	566.6

HMA SHOULDER REMOVAL & REPLACEMENT PRE-STAGE				PAVED SHOULDER REMOVAL	HOT-MIX ASPHALT BASE COURSE, 9"	HOT-MIX ASPHALT BASE COURSE, 12"
STATIONING		LENGTH	SIDE			
FROM	TO	FEET		SQ YD	SQ YD	SQ YD
EX RAMP F						
17+50.50	18+85.00	134.5	RT	119.6	-	119.6
18+85.00	22+29.50	344.5	RT	382.8	-	382.8
19+50.50	20+63.00	112.5	LT	50.0	-	50.0
20+63.00	20+80.50	17.5	LT	3.9	-	3.9
EX RAMP F TOTALS:				556.2	0.0	556.2
EX RAMP H						
787+83.50	792+17.50	434.0	RT	482.2	-	482.2
789+78.00	789+95.00	17.0	LT	3.8	-	3.8
789+95.00	791+17.50	122.5	LT	54.4	-	54.4
EX RAMP H TOTALS:				540.4	0.0	540.4
EX RAMP B						
85+21.00	89+29.00	408.0	RT	453.3	-	453.3
86+81.00	88+04.00	123.0	LT	54.7	-	54.7
88+04.00	88+21.00	17.0	LT	3.8	-	3.8
EX RAMP B TOTALS:				511.8	0.0	511.8
EX RAMP D						
44+09.00	48+18.00	409.0	RT	454.4	-	454.4
45+76.00	45+95.50	19.5	LT	4.3	-	4.3
45+95.50	47+18.00	122.5	LT	54.4	-	54.4
EX RAMP D TOTALS:				513.2	0.0	513.2
PRE-STAGE TOTALS:				20179.9	7864.9	12315.0

USER NAME = kaleb.hirtzel
DESIGNED -
DRAWN -
CHECKED -
PLOT DATE = 9/26/2025

DESIGNED -
REVISIED -
REVISIED -
DATE -

STATE OF ILLINOIS
DEPARTMENT OF TRANSPORTATION

SCHEDULE OF QUANTITIES

SCALE: SHEET 30 OF 50 SHEETS STA. TO STA.

F.A.I RTE.	SECTION	COUNTY	TOTAL SHEETS	SHEET NO.
57	(15-22HB-4)BR (15-22)R	COLES	1086	62
CONTRACT NO. 74435				
ILLINOIS		FED.AID PROJECT		

SIDEWALK SCHEDULE			PORTLAND CEMENT CONCRETE SIDEWALK 6 INCH	DETECTABLE WARNINGS		
STATIONING		LENGTH			SQ FT	SQ FT
FROM	TO	FEET				
STAGE 3A - RAINDROP						
213+00.07	214+43.99	143.92	2158.8	-		
STAGE 3A TOTALS:			2158.8	0.0		
STAGE 3B - SHARED-USE PATH						
500+00.0	522+11.0	2211.0	22110.0	20.0		
522+30.6	522+40.6	10.0	12.8	40.0		
522+61.7	524+52.3	190.6	1906.0	20.0		
524+52.3	525+40.2	87.9	1318.5	-		
525+40.2	526+84.1	143.9	2446.3	-		
526+84.1	527+38.9	54.8	822.0	-		
527+38.9	529+70.0	231.1	2311.0	20.0		
530+09.8	556+47.7	2637.9	26379.0	20.0		
556+47.7	556+66.3	18.6	233.2	-		
556+66.3	556+82.4	16.1	101.5	34.5		
STAGE 3B TOTALS:			57640.3	154.5		
PROJECT TOTALS:			59799.1	154.5		

PCC SHOULDERS FOR TEMPORARY PAVEMENT SCHEDULE PRE-STAGE				PORTLAND CEMENT CONCRETE SHOULDERS 9"	
STATIONING		LENGTH	SIDE		SQ YD
FROM	TO	FEET			
EX EB IL 16					
107+47.5	107+62.5	15.0	RT	16.0	
108+02.6	108+04.6	2.0	LT	0.7	
108+35.0	108+50.0	15.0	RT	16.0	
109+03.5	109+33.0	29.5	LT	9.2	
121+15.0	121+20.0	5.0	RT	5.0	
121+44.0	121+46.0	2	LT	0.7	
121+76.0	122+21.5	45.5	RT	43.0	
EB IL 16 TOTALS:				90.6	
EX WB IL 16					
106+84.5	107+54.0	69.5	LT	65.6	
108+02.6	108+04.6	2.0	RT	0.7	
108+30.0	108+35.0	5	LT	4.7	
120+28.0	120+49.0	21.0	RT	7.0	
121+05.0	121+15.0	10.0	LT	9.3	
121+44.0	121+46.0	2.0	RT	0.6	
121+88.5	122+03.5	15.0	LT	14.2	
WB IL 16 TOTALS:				102.2	
PRE-STAGE TOTALS:				192.7	

TEMPORARY PAVEMENT SCHEDULE PRE-STAGE			AGGREGATE BASE COURSE, TYPE A 12"	PORTLAND CEMENT CONCRETE PAVEMENT 12"	WELDED WIRE REINFORCEMENT	AGGREGATE SHOULDERS, TYPE B 6"				
STATIONING		LENGTH					SQ YD	SQ YD	SQ YD	SQ YD
FROM	TO	FEET								
TEMPORARY RAMPS										
6000+00.0	6003+59.1	359.1	687.1	631.5	631.5	233.4				
7000+00.0	7004+62.4	462.4	963.4	862.9	862.9	191.4				
8000+00.0	8003+32.3	332.3	606.6	551.2	551.2	128.2				
9000+00.0	9004+26.8	426.8	905.0	809.2	809.2	173.1				
TEMPORARY RAMPS TOTALS:			3162.1	2854.9	2854.9	726.1				
EX IL 16: MEDIANS										
108+04.6	108+96.7	92.1	310.3	310.3	310.3	25.7				
108+96.7	109+03.4	6.7	2.1	2.1	2.1	1.5				
120+49.2	120+55.0	5.8	19.8	19.8	19.8	1.3				
120+55.0	121+44.0	89.0	321.0	321.0	321.0	24.3				
MEDIAN TOTALS:			653.3	653.3	653.3	52.8				
EX IL 16: LT TURN LANES										
108+96.7	109+77.9	81.2	117.3	108.3	108.3	18.0				
109+77.9	110+17.9	40.0	38.2	33.8	33.8	8.9				
110+17.9	110+67.9	50.0	23.3	17.8	17.8	11.1				
117+90.0	118+50.0	60.0	35.7	29.0	29.0	13.3				
118+50.0	119+70.0	120.0	126.0	112.7	112.7	26.7				
119+70.0	120+55.0	85.0	122.8	113.3	113.3	18.9				
LT TURN LANE TOTALS:			463.3	414.8	414.8	96.9				
EX RAMP F (FOR NW TEMPORARY RAMP)										
19+08.8	19+53.0	44.2	-	-	-	18.0				
EX RAMP F TOTALS:			0.0	0.0	0.0	18.0				
PRE-STAGE TOTALS:			4278.6	3923.0	3923.0	893.8				

TEMPORARY PAVEMENT SCHEDULE STAGE 3A			AGGREGATE BASE COURSE, TYPE A	PORTLAND CEMENT CONCRETE PAVEMENT 7 1/2"		
STATIONING		LENGTH			TON	SQ YD
FROM	TO	FEET				
WB IL 16						
109+41.0	110+81.6	140.6	14.0	164.3		
110+82.0	119+63.0	881.0	175.2	2050.7		
119+62.3	120+41.1	78.8	8.1	95.3		
WB IL 16 TOTALS:			197.3	2310.3		
STAGE 3A TOTALS:			197.3	2310.3		

DRAINAGE REMOVALS PAVEMENT PATCHING STAGES 1 & 2				LENGTH	WIDTH	CLASS D PATCHES, TYPE II, 8 INCH
LOCATION	STATION	SIDE	SQ YD			
STAGE 1						
SB57 LOOP EXIT	125+83.5	RT	10	10	11.1	
SB57 EXIT	6+00.0	RT	10	10	11.1	
SB 57 EXIT	12+00.0	RT	10	10	11.1	
SB 57 EXIT	15+00.0	RT	10	10	11.1	
SB 57	792+61.0	LT	10	10	11.1	
SB 57	807+37.0	LT	10	10	11.1	
STAGE 1 TOTAL:					66.7	
STAGE 2						
NB57 LOOP EXIT	95+99.0	RT	10	10	11.1	
NB57 ENT	803+10.0	RT	10	10	11.1	
NB57	807+50.0	RT	10	10	11.1	
STAGE 2 TOTAL:					33.3	
PROJECT TOTAL:					100.0	

DRAINAGE REMOVAL PAVEMENT PATCHING PRE-STAGE 3			CLASS D PATCHES, TYPE IV, 12 INCH
LOCATION	STATION	SQ YD	
WB IL 16 (3B)	108+60.5	93.5	
WB IL 16 (3C)	108+60.5	85.0	
EB IL 16 (3D)	108+60.5	72.6	
EB IL 16 (3E)	108+60.5	82.4	
PRE-STAGE 3 TOTAL:			333.4

DRAINAGE REMOVALS PAVEMENT PATCHING STAGE 3A			CLASS D PATCHES, TYPE IV, 10 INCH
STATIONING		SQ YD	
FROM	TO		
EX RAMP H			
785+29.9	786+37.1	87.5	
STAGE 3A TOTAL:		87.5	

PAVEMENT TRANSITION PATCHING				CLASS D PATCHES, TYPE IV, 10 INCH	SUBBASE GRANULAR MATERIAL, TYPE C	AGGREGATE BASE COURSE, TYPE A
STATIONING		SIDE	SQ YD			
FROM	TO					
STAGE 1 - SB I-57						
776+80.5	777+01.0	LT	68.4	8.3	-	
803+19.0	803+39.0	LT	54.3	6.6	-	
STAGE 1 TOTALS:			122.7	14.9	0.0	
STAGE 2 - NB I-57						
774+10.3	774+31.0	RT	59.3	7.2	-	
800+53.0	800+73.0	RT	63.0	7.7	-	
STAGE 2 TOTALS:			122.4	14.9	0.0	
STAGE 3A - WB IL 16						
102+63.4	105+49.3	LT	63.6	-	9.1	
126+51.1	128+33.3	LT	40.6	-	5.8	
STAGE 3A - EX RAMP H						
789+29.9	786+37	-	87.5	-	-	
STAGE 3A TOTALS:			191.7	0.0	14.8	
PROJECT TOTALS:			436.8	29.8	14.8	

DRAINAGE REMOVAL PAVEMENT PATCHING PRE-STAGE				
LOCATION	STATION	LENGTH	WIDTH	CLASS D PATCHES, TYPE IV, 12 INCH
		FEET	FEET	SQ YD
EB IL 16	92+32.6	39.7	6.5	28.7
WB IL 16	92+32.6	50.5	6.5	36.5
PRE-STAGE TOTAL:				65.1

MODEL: SCHEDULES OF QUANTITIES-31 (Sheet)
FILE NAME: c:\pdx_work\pdx\hrtz\hrtz\100528252\0774435-sheets-schedules.dgn

USER NAME = kaleb.hirtzel	DESIGNED -	REVISED -
	DRAWN -	REVISED -
	CHECKED -	REVISED -
PLOT DATE = 9/26/2025	DATE -	REVISED -

**STATE OF ILLINOIS
DEPARTMENT OF TRANSPORTATION**

SCHEDULE OF QUANTITIES

SCALE: SHEET 32 OF 50 SHEETS STA. TO STA.

F.A.I RTE.	SECTION	COUNTY	TOTAL SHEETS	SHEET NO.
57	(15-22HB-4)BR (15-22)R	COLES	1086	64
CONTRACT NO. 74435				
ILLINOIS FED. AID PROJECT				

TEMPORARY GUARDRAIL SCHEDULE PRE-STAGE			TEMPORARY STEEL PLATE BEAM GUARDRAIL, TYPE A	TEMPORARY TRAFFIC BARRIER TERMINAL, TYPE 1	TEMPORARY TRAFFIC BARRIER TERMINAL, TYPE 2	TEMPORARY TRAFFIC BARRIER TERMINAL, TYPE 6	GUARDRAIL REFLECTORS, TYPE A	TERMINAL MARKER - DIRECT APPLIED	AGGREGATE SHOULDERS, TYPE B 6"
STATIONING		SIDE							
FROM	TO			FOOT	EACH	EACH	EACH	EACH	EACH
NW TEMPORARY RAMP									
6000+37.50	6000+87.80	LT	-	1	-	-	-	1	-
6000+87.80	6002+13.80	LT	125.0	-	-	-	4	-	-
6002+13.80	6002+26.50	LT	-	-	1	-	-	-	-
NW TEMPORARY RAMP TOTALS:			125.0	1	1	0	4	1	0.0
NB I-57									
789+91.53	790+29.01	LT	-	-	-	1	-	-	-
790+29.01	792+04.01	LT	175.0	-	-	-	4	-	-
792+04.01	792+54.01	LT	-	1	-	-	-	1	19.4
792+54.01	792+88.00	LT	-	-	-	-	-	-	12.4
809+11.47	809+48.95	LT	-	-	-	1	-	-	-
809+49.00	811+99.00	LT	250.0	-	-	-	4	-	-
815+66.95	816+04.43	LT	-	-	-	1	-	-	-
816+04.42	817+79.42	LT	174.0	-	-	-	4	-	-
817+79.42	818+29.42	LT	-	1	-	-	-	1	19.6
818+29.42	818+63.00	LT	-	-	-	-	-	-	12.3
NB I-57 TOTALS:			599.0	2	0	3	12	2	63.8
EB IL 16									
100+29.00	100+79.00	RT	-	1	-	-	-	1	-
100+79.00	101+54.00	RT	75.0	-	-	-	4	-	-
101+54.00	101+66.50	RT	-	-	1	-	-	-	-
EB IL 16 TOTALS:			75.0	1	1	0	4	1	0.0
PRE-STAGE TOTALS:			799.0	4	2	3	20	4	63.8

TEMPORARY GUARDRAIL SCHEDULE STAGE 1			TEMPORARY STEEL PLATE BEAM GUARDRAIL, TYPE A	TEMPORARY TRAFFIC BARRIER TERMINAL, TYPE 1	TEMPORARY TRAFFIC BARRIER TERMINAL, TYPE 6	GUARDRAIL REFLECTORS, TYPE A	TERMINAL MARKER - DIRECT APPLIED	AGGREGATE SHOULDERS, TYPE A 6"
STATIONING		SIDE						
FROM	TO			FOOT	EACH	EACH	EACH	EACH
SB I-57								
784+95.00	785+45.00	RT	-	1	-	-	1	-
785+45.00	787+20.00	RT	175.0	-	-	3	-	-
787+20.00	787+56.90	RT	-	-	1	1	-	-
811+02.53	811+37.40	RT	-	-	-	-	-	12.8
811+37.40	811+87.40	RT	-	1	-	-	1	18.5
811+87.40	813+62.40	RT	175.0	-	-	3	-	38.9
813+62.40	813+99.30	RT	-	-	1	1	-	3.8
STAGE 1 TOTALS:			350.0	2	2	8	2	74.0

TEMPORARY GUARDRAIL SCHEDULE STAGE 3A			TEMPORARY TRAFFIC BARRIER TERMINAL, TYPE 1	TEMPORARY TRAFFIC BARRIER TERMINAL, TYPE 6	TERMINAL MARKER - DIRECT APPLIED
STATIONING		SIDE			
FROM	TO			EACH	EACH
WB IL 16					
113+69.50	114+19.50	RT	1	-	1
114+19.50	114+55.80	RT	-	1	-
STAGE 3A TOTALS:			1	1	1

MODEL: SCHEDULES OF QUANTITIES-32 (Sheet)
 FILE NAME: c:\pdx_work\pdx\hrtz\hrtz\10052852\074435-sheets-schedules.dgn

USER NAME = kaleb.hirtzel	DESIGNED -	REVISED -
	DRAWN -	REVISED -
	CHECKED -	REVISED -
PLOT DATE = 8/19/2024	DATE -	REVISED -

**STATE OF ILLINOIS
DEPARTMENT OF TRANSPORTATION**

SCHEDULE OF QUANTITIES

SCALE: SHEET 33 OF 50 SHEETS STA. TO STA.

F.A.I RTE.	SECTION	COUNTY	TOTAL SHEETS	SHEET NO.
57	(15-22HB-4)BR (15-22)R	COLES	1086	65
CONTRACT NO. 74435				
		ILLINOIS FED. AID PROJECT		

GUARDRAIL SCHEDULE STAGE 1				STEEL PLATE BEAM GUARDRAIL, TYPE A, 6 FOOT POSTS	TRAFFIC BARRIER TERMINAL, TYPE 1 (SPECIAL) TANGENT	TRAFFIC BARRIER TERMINAL, TYPE 2	TRAFFIC BARRIER TERMINAL, TYPE 6	GUARDRAIL REFLECTORS, TYPE A	TERMINAL MARKERS - DIRECT APPLIED				
STATIONING		SIDE	FOOT							EACH	EACH	EACH	EACH
FROM	TO												
SB I-57													
786+57.5	786+70.0	LT	-	-	1	-	-	-	-				
786+70.0	787+20.0	LT	50.0	-	-	-	2	-	-				
787+20.0	787+56.9	LT	-	-	-	1	2	-	-				
789+78.9	790+15.8	LT	-	-	-	1	1	-	-				
790+15.8	791+90.8	LT	175.0	-	-	-	3	-	-				
791+90.8	792+40.8	LT	-	1	-	-	-	1	-				
789+78.9	790+15.8	RT	-	-	-	1	1	-	-				
790+15.8	791+90.8	RT	175.0	-	-	-	3	-	-				
791+90.8	792+40.8	RT	-	1	-	-	-	1	-				
810+00.0	813+62.4	LT	362.4	-	-	-	5	-	-				
813+62.4	813+99.3	LT	-	-	-	1	1	-	-				
815+67.4	816+04.3	LT	-	-	-	1	1	-	-				
816+04.3	821+16.8	LT	512.5	-	-	-	7	-	-				
821+16.8	821+66.8	LT	-	1	-	-	-	1	-				
815+67.4	816+04.3	RT	-	-	-	1	1	-	-				
816+04.3	818+29.3	RT	225.0	-	-	-	3	-	-				
818+29.3	818+79.3	RT	-	1	-	-	-	1	-				
SB I-57 TOTAL:			1499.9	4	1	6	30	4	-				
PR RAMP A													
2000+00.0	2006+62.8	RT	662.6	-	-	-	9	-	-				
RAMP A TOTAL:			662.6	0	0	0	9	0	-				
EX RAMP F													
6+67.8	7+17.8	RT	-	1	-	-	-	1	-				
7+17.8	11+70.3	RT	450.0	-	-	-	6	-	-				
EX RAMP F TOTAL:			450.0	1	0	0	6	1	-				
STAGE 1 TOTAL:			2612.5	5	1	6	45	5	-				

GUARDRAIL SCHEDULE STAGE 2				STEEL PLATE BEAM GUARDRAIL, TYPE A, 6 FOOT POSTS	TRAFFIC BARRIER TERMINAL, TYPE 1 (SPECIAL) TANGENT	TRAFFIC BARRIER TERMINAL, TYPE 2	TRAFFIC BARRIER TERMINAL, TYPE 6	GUARDRAIL REFLECTORS, TYPE A	TERMINAL MARKERS - DIRECT APPLIED				
STATIONING		SIDE	FOOT							EACH	EACH	EACH	EACH
FROM	TO												
NB I-57													
785+05.9	785+55.9	LT	-	1	-	-	-	-	1				
785+55.9	787+18.4	LT	162.5	-	-	-	3	-	-				
787+18.4	787+55.3	LT	-	-	-	1	1	-	-				
785+05.9	785+55.9	RT	-	1	-	-	-	-	1				
785+55.9	787+18.4	RT	162.5	-	-	-	3	-	-				
787+18.4	787+55.3	RT	-	-	-	1	1	-	-				
789+75.3	790+12.2	RT	-	-	-	1	1	-	-				
790+12.2	790+74.7	RT	62.5	-	-	-	2	-	-				
790+74.7	790+87.2	RT	-	-	1	-	1	-	-				
811+45.5	811+95.5	LT	-	1	-	-	-	-	1				
811+95.5	813+58.0	LT	162.5	-	-	-	3	-	-				
813+58.0	813+94.9	LT	-	-	-	1	1	-	-				
813+50.0	813+58.0	RT	8.0	-	-	1	-	-	-				
813+58.0	813+94.9	RT	-	-	-	-	1	-	-				
815+67.5	816+04.4	RT	-	-	-	1	1	-	-				
816+04.4	819+91.9	RT	387.5	-	-	-	5	-	-				
819+91.9	820+04.4	RT	-	-	1	-	-	-	-				
836+02.8	836+52.8	RT	-	1	-	-	-	-	1				
836+52.8	838+52.8	RT	200.0	-	-	-	3	-	-				
838+52.8	838+65.3	RT	-	-	1	-	1	-	-				
NB I-57 TOTAL:			1145.5	4	3	6	27	4	-				
PR RAMP B													
3012+05.2	3024+72.2	RT	1267.0	-	-	-	16	-	-				
PR RAMP B TOTAL:			1267.0	0	0	0	16	0	-				
STAGE 2 TOTAL:			2412.5	4	3	6	43	4	-				

SHOULDER STABILIZATION AT GUARDRAIL SCHEDULE - STAGE 2					PORTLAND CEMENT CONCRETE SHOULDERS 6"	HOT-MIX ASPHALT SHOULDERS, 8"	SUBBASE GRANULAR MATERIAL, TYPE C
STATIONING		LENGTH	LT WIDTH	RT WIDTH			
FROM	TO						
NB I-57							
787+40.34	787+55.34	15.0	3.0	3.0	10.0	-	-
789+75.34	789+90.34	15.0	-	3.0	5.0	-	-
811+23.47	811+35.46	12.0	-	3.0	-	4.0	-
811+35.46	811+70.46	35.0	-	4.0	-	15.6	-
811+70.46	811+95.46	25.0	-	3.5	-	9.7	-
811+95.46	813+50.00	154.5	-	3.0	-	51.5	-
813+50.00	813+79.46	29.5	3.0	3.0	-	19.6	-
815+88.05	820+04.39	416.3	-	3.0	-	138.8	-
835+80.79	835+92.79	12.0	-	3.0	-	4.0	-
835+92.79	836+27.79	35.0	-	4.0	-	15.6	-
836+27.79	836+52.79	25.0	-	3.5	-	9.7	-
836+52.79	838+65.29	212.5	-	3.0	-	70.8	-
NB I-57 TOTALS:					15.0	339.3	0.0
PR RAMP B							
3016+40.00	3024+72.21	832.2	-	3.0	-	277.4	107.9
PR RAMP B TOTALS:					0.0	277.4	107.9
STAGE 2 TOTALS:					15.0	616.7	107.9

SHOULDER STABILIZATION AT GUARDRAIL SCHEDULE - STAGE 1					PORTLAND CEMENT CONCRETE SHOULDERS 6"	HOT-MIX ASPHALT SHOULDERS, 8"	SUBBASE GRANULAR MATERIAL, TYPE C
STATIONING		LENGTH	LT WIDTH	RT WIDTH			
FROM	TO						
SB I-57							
787+42.48	787+57.48	15.0	3.0	-	5.0	-	-
789+77.48	789+92.48	15.0	3.0	3.0	10.0	-	-
815+87.97	818+29.27	241.3	3.0	3.0	-	160.9	-
818+29.27	818+57.14	27.9	3.0	3.5	-	20.1	-
818+57.14	818+89.35	32.2	3.0	4.0	-	25.1	-
818+89.35	819+01.21	11.9	3.0	3.0	-	7.9	-
819+01.21	821+16.76	215.5	3.0	-	-	71.8	-

SHOULDER STABILIZATION AT GUARDRAIL SCHEDULE - STAGE 1					PORTLAND CEMENT CONCRETE SHOULDERS 6"	HOT-MIX ASPHALT SHOULDERS, 8"	SUBBASE GRANULAR MATERIAL, TYPE C
STATIONING		LENGTH	LT WIDTH	RT WIDTH			
FROM	TO						
821+16.76	821+41.76	25.0	3.5	-	-	9.7	-
821+41.76	821+76.76	35.0	4.0	-	-	15.6	-
821+76.76	821+88.77	12.0	3.0	-	-	4.0	-
SB I-57 TOTALS:					15.0	315.1	0.0
PR RAMP A							
2000+00.00	2002+66.77	266.8	-	3.0	-	88.9	34.6
PR RAMP A TOTALS:					0.0	88.9	34.6
STAGE 1 TOTALS:					15.0	404.0	34.6

MODEL: SCHEDULES OF QUANTITIES-33 (Sheet)
 FILE NAME: c:\pdx_work\pdx\hrtz\hrtz\4435-sheets-Schedules.dgn

USER NAME = kaleb.hirtzel DESIGNED - DRAWN - CHECKED - PLOT DATE = 9/26/2025	DESIGNED - DRAWN - CHECKED - DATE -	REVISED - REVISED - REVISED - REVISED -	STATE OF ILLINOIS DEPARTMENT OF TRANSPORTATION	SCHEDULE OF QUANTITIES	F.A.I. RTE. 57 SECTION (15-22HB-4)BR (15-22)R COUNTY COLES TOTAL SHEETS 1086 SHEET NO. 66 CONTRACT NO. 74435 ILLINOIS FED. AID PROJECT
SCALE:				SHEET 34 OF 50 SHEETS	STA. TO STA.

GUARDRAIL SCHEDULE STAGE 3			STEEL PLATE BEAM GUARDRAIL, TYPE A, 6 FOOT POSTS	BACK SIDE PROTECTION OF GUARDRAIL	TRAFFIC BARRIER TERMINAL, TYPE 1 (SPECIAL) TANGENT	TRAFFIC BARRIER TERMINAL, TYPE 2	TRAFFIC BARRIER TERMINAL, TYPE 6	GUARDRAIL REFLECTORS, TYPE A	TERMINAL MARKERS - DIRECT APPLIED
STATIONING		SIDE							
FROM	TO			FOOT	FOOT	EACH	EACH	EACH	EACH
EB IL 16 - STAGE 3B									
103+17.3	103+67.3	LT	-	-	1	-	-	-	1
103+67.3	104+79.8	LT	112.5	-	-	-	-	4	-
104+79.8	104+92.3	LT	-	-	-	1	-	-	-
103+17.3	103+67.3	RT	-	-	1	-	-	-	1
103+67.3	104+79.8	RT	112.5	-	-	-	-	4	-
104+79.8	104+92.3	RT	-	-	-	1	-	-	-
123+94.9	124+44.9	LT	-	-	1	-	-	-	1
124+44.9	125+57.4	LT	112.5	-	-	-	-	4	-
125+57.4	125+69.9	LT	-	-	-	1	-	-	-
STAGE 3B TOTALS:			337.5	0.0	3	3	0	12	3
WB IL 16 - STAGE 3C									
104+72.4	104+84.9	RT	-	-	-	1	-	-	-
104+84.9	105+97.4	RT	112.5	-	-	-	-	4	-
105+97.4	106+47.4	RT	-	-	1	-	-	-	1
113+69.5	114+19.0	RT	-	37.5	1	-	-	-	1
114+19.0	114+55.8	RT	-	36.8	-	-	1	4	-
115+81.8	116+18.6	RT	-	36.8	-	-	1	4	-
116+18.6	116+64.9	RT	-	37.5	1	-	-	-	1
125+45.8	125+58.3	RT	-	-	-	1	-	-	-
125+58.3	126+70.8	RT	112.5	-	-	-	-	4	-
126+70.8	127+20.8	RT	-	-	1	-	-	-	1
STAGE 3C TOTALS:			225.0	148.6	4	2	2	16	4
PR RAMP A - STAGE 3E									
2006+62.8	2013+77.3	RT	725.0	-	-	-	-	9	-
2013+77.3	2013+89.8	RT	-	-	-	1	-	-	-
STAGE 3E TOTALS:			725.0	0.0	0	1	0	9	0
PR RAMP B - STAGE 3F									
3007+55.0	3008+05.0	RT	-	-	1	-	-	-	1
3008+05.0	3012+05.2	RT	400.0	-	-	-	-	5	-
PR RAMP B TOTALS:			400.0	0.0	1	0	0	5	1
WB IL 16 - STAGE 3F									
125+48.6	125+61.1	LT	-	-	-	1	-	-	-
125+61.1	126+73.5	LT	112.5	-	-	-	-	4	-
126+73.5	127+23.5	LT	-	-	1	-	-	-	1
WB IL 16 TOTALS:			112.5	0.0	1	1	0	4	1
STAGE 3F TOTALS:			512.5	0.0	2	1	0	9	2
STAGE 3 TOTALS:			1800.0	148.6	9	7	2	46	9

SHOULDER STABILIZATION AT GUARDRAIL SCHEDULE - STAGE 3					PORTLAND CEMENT CONCRETE SHOULDERS 6"
STATIONING		LENGTH	LT WIDTH	RT WIDTH	
FROM	TO	FEET	FEET	FEET	SQ YD
WB IL 16 - STAGE 3A					
125+45.70	126+13.30	67.6	3.0	3.0	45.1
WB IL 16 TOTALS:					45.1
EB IL 16 - STAGE 3B					
104+26.00	104+92.20	66.2	3.0	3.0	44.1
EB IL 16 TOTALS:					44.1
STAGE 3 TOTALS:					89.2

MODEL: SCHEDULES OF QUANTITIES-34 [Sheet]
FILE NAME: c:\pdx_work\pdx\hrtz\hrtz\1005282\074435-sheets-Schedules.dgn

USER NAME = kaleb.hirtzel	DESIGNED -	REVISED -
	DRAWN -	REVISED -
	CHECKED -	REVISED -
PLOT DATE = 8/19/2024	DATE -	REVISED -

**STATE OF ILLINOIS
DEPARTMENT OF TRANSPORTATION**

SCHEDULE OF QUANTITIES

SCALE: SHEET 35 OF 50 SHEETS STA. TO STA.

F.A.I RTE.	SECTION	COUNTY	TOTAL SHEETS	SHEET NO.
57	(15-22HB-4)BR (15-22)R	COLES	1086	67
CONTRACT NO. 74435				
		ILLINOIS	FED. AID PROJECT	

CROSS-OVER EXCAVATION SCHEDULE PRE-STAGE			TOPSOIL EXCAVATION AND PLACEMENT
STATIONING			
FROM	TO	CU YD	
IL 16			
94+70.87	104+41.77	144	
130+33.23	137+04.13	144	
IL 16 TOTAL:		288	
I-57			
740+41.20	748+58.79	211	
843+02.90	849+37.09	160	
I-57 TOTAL:		371	
CROSS-OVER TOTAL:		659	

CROSS-OVER PAVING SCHEDULE PRE-STAGE		AGGREGATE BASE COURSE, TYPE B	PORTLAND CEMENT CONCRETE PAVEMENT 9"	PORTLAND CEMENT CONCRETE PAVEMENT 11" (JOINTED)	WELDED WIRE REINFORCEMENT	PROTECTIVE COAT
STATIONING		TON	SQ YD	SQ YD	SQ YD	SQ YD
FROM	TO					
IL 16						
94+00.00	102+00.00	1304	1896	-	-	1896
129+75.00	137+75.00	1456	1829	-	-	1829
IL 16 TOTAL:		2760	3725	0	0	3725
I-57						
739+00.00	750+00.00	3262	-	2874	2874	2874
841+67.10	850+64.75	2244	-	1940	1940	1940
I-57 TOTAL:		5506	0	4814	4814	4814
CROSS-OVER TOTAL:		8266	3725	4814	4814	8539

CROSS-OVER REMOVALS SCHEDULE PRE-STAGE			PAVED SHOULDER REMOVAL
STATIONING			
FROM	TO	SQ YD	
IL 16			
94+00.00	102+00.00	600	
129+75.00	137+75.00	533	
IL 16 TOTAL:		1133	
I-57			
739+00.00	750+00.00	978	
841+67.10	850+64.75	499	
I-57 TOTAL:		1477	
CROSS-OVER TOTAL:		2610	

CROSS-OVER DRAINAGE STR. SCHEDULE PRE-STAGE			PRECAST REINFORCED CONCRETE FLARED END SECTIONS, ERS 15"	MANHOLES, TYPE A, 7' DIAMETER, TYP 1 FRAME, OPEN LID	INLETS, TYPE A, TYPE 8 GRATE
STATION	SIDE	OFFSET	EACH	EACH	EACH
		FEET			
IL 16					
95+60.00	CL	-	1	-	-
98+00.00	CL	0	-	1	-
98+00.00	LT	14'	-	-	1
98+00.00	RT	14'	-	-	1
100+60.00	CL	-	1	-	-
131+50.00	CL	-	1	-	-
133+75.00	CL	0	-	1	-
133+75.00	LT	14'	-	-	1
133+75.00	RT	14'	-	-	1
137+00.00	CL	-	1	-	-
IL 16 TOTALS:			4	2	4
I-57					
742+00.00	CL	0	1	-	-
744+50.00	CL	0	-	1	-
744+50.00	LT	20'	-	-	1
744+50.00	RT	20'	-	-	1
746+40.00	CL	0	1	-	-
843+00.00	CL	0	1	-	-
846+20.00	CL	0	-	1	-
846+20.00	LT	17'	-	-	1
846+20.00	RT	17'	-	-	1
849+00.00	CL	0	1	-	-
I-57 TOTALS:			4	2	4
CROSS-OVER TOTALS:			8	4	8

CROSS-OVER PIPE CULVERT SCHEDULE PRE-STAGE				PIPE CULVERTS, CLASS A, TYPE 1 ERS 15"
STATIONING		SIDE	FOOT	
FROM	TO			
IL 16				
95+60.00	100+60.00	CL	500	
98+00.00	-	LT	14	
98+00.00	-	RT	14	
131+50.00	137+00.00	CL	550	
133+75.00	-	LT	14	
133+75.00	-	RT	14	
IL 16 TOTAL:			1106	
I-57				
742+00.00	746+40.00	CL	600	
744+50.00	-	LT	17	
744+50.00	-	RT	17	
843+00.00	849+00.00	CL	440	
846+20.00	-	LT	20	
846+20.00	-	RT	20	
I-57 TOTAL:			1114	
CROSS-OVER TOTAL:			2220	

CROSS-OVER DELINEATORS SCHEDULE STAGE 2						RECOVERABLE DELINEATORS
STATIONING		SIDE	OFFSET	LENGTH	EACH	
FROM	TO		FEET	FEET		
I-57						
743+88	745+12	C.L.	0	124	31	
845+58	846+82	C.L.	0	124	31	
STAGE 2 TOTAL:						62

MODEL: SCHEDULES OF QUANTITIES-A9 [Sheet]
 FILE NAME: c:\pdx_work\pdx\hrtz\hrtz\10852852\074435-sheets-Schedules.dgn

USER NAME = kaleb.hirtzel	DESIGNED -	REVISED -
	DRAWN -	REVISED -
	CHECKED -	REVISED -
PLOT DATE = 7/16/2025	DATE -	REVISED -

**STATE OF ILLINOIS
DEPARTMENT OF TRANSPORTATION**

SCHEDULE OF QUANTITIES

SCALE: SHEET 36 OF 50 SHEETS STA. TO STA.

F.A.I. RTE.	SECTION	COUNTY	TOTAL SHEETS	SHEET NO.
57	(15-22HB-4)BR (15-22)R	COLES	1086	68
CONTRACT NO. 74435				
ILLINOIS FED. AID PROJECT				

MODEL: SCHEDULES OF QUANTITIES-37 (Sheet)
FILE NAME: c:\pwworking\hrtzeta\id0852852\DT74435-sheets-Schedules.dgn

TEMPORARY PAVEMENT MARKING SCHEDULE STAGE 2			TEMPORARY PAVEMENT MARKING LETTERS & SYMBOLS - TYPE IV TAPE	TEMPORARY PAVEMENT MARKING - LINE 6" - TYPE IV TAPE	TEMPORARY PAVEMENT MARKING - LINE 24" - TYPE IV TAPE	SHORT-TERM PAVEMENT MARKING REMOVAL	TEMPORARY PAVEMENT MARKING - LINE 6" - PAINT	TEMPORARY PAVEMENT MARKING - LINE 8" - PAINT
STATIONING		LENGTH	SQ FT	FOOT	FOOT	SQ FT	FOOT	FOOT
FROM	TO	FEET						
EX EB IL 16								
117+90	119+71	181.0	-	181.0	-	90.5	-	-
119+71	120+91	120.0	94.0	246.0	44.0	305.0	-	-
EX EB IL 16 TOTALS:			94.0	427.0	44.0	395.5	0.0	0.0
EX WB IL 16								
120+28	120+91	63.0	-	68.0	-	34.0	-	-
120+91	122+07	116.0	-	-	-	-	-	-
122+07	123+07	100.0	86.8	-	24.0	134.8	-	-
EX WB IL 16 TOTALS:			86.8	68.0	24.0	168.8	0.0	0.0
NE TEMPORARY RAMP								
7000+37	7001+18	81.0	-	81.0	-	40.5	-	-
7001+18	7004+62	344.0	-	720.0	-	360.0	-	-
NE TEMPORARY RAMP TOTALS:			0.0	801.0	0.0	400.5	0.0	0.0
SE TEMPORARY RAMP								
8000+36	8001+23	87.0	-	87.0	-	43.5	-	-
8001+23	8003+06	183.0	53.5	374.0	-	240.5	-	-
8003+06	8003+32	26.0	-	108.0	27.0	108.0	-	-
SE TEMPORARY RAMP TOTALS:			53.5	569.0	27.0	392.0	0.0	0.0
NB I-57								
760+60	771+27	1067.0	-	-	-	-	2400.8	-
771+27	774+56	329.0	-	-	-	-	493.5	-
774+56	778+18	362.0	-	-	-	-	452.5	362.0
778+18	798+53	2035.0	-	-	-	-	4578.8	-
798+53	801+70	317.0	-	-	-	-	396.3	317.0
801+70	807+66	596.0	-	-	-	-	894.0	-
807+66	840+69	3303.0	-	-	-	-	7431.8	-
NB I-57 TOTALS:			0.0	0.0	0.0	0.0	16647.5	679.0
EX RAMP B								
71+27	74+55	328.0	-	-	-	-	328.0	-
74+55	78+17	362.0	-	-	-	-	362.0	362.0
78+17	79+57	140.0	-	-	-	-	280.0	-
EX RAMP B TOTALS:			0.0	0.0	0.0	0.0	970.0	362.0

TEMPORARY PAVEMENT MARKING SCHEDULE STAGE 2			TEMPORARY PAVEMENT MARKING LETTERS & SYMBOLS - TYPE IV TAPE	TEMPORARY PAVEMENT MARKING - LINE 6" - TYPE IV TAPE	TEMPORARY PAVEMENT MARKING - LINE 24" - TYPE IV TAPE	SHORT-TERM PAVEMENT MARKING REMOVAL	TEMPORARY PAVEMENT MARKING - LINE 6" - PAINT	TEMPORARY PAVEMENT MARKING - LINE 8" - PAINT
STATIONING		LENGTH	SQ FT	FOOT	FOOT	SQ FT	FOOT	FOOT
FROM	TO	FEET						
EX RAMP H								
797+15	798+56	141.0	-	-	-	-	282.0	-
798+56	801+70	314.0	-	-	-	-	314.0	314.0
801+70	807+66	596.0	-	-	-	-	596.0	-
EX RAMP H TOTALS:			0.0	0.0	0.0	0.0	1192.0	314.0
SB I-57								
760+60	766+97	637.0	-	-	-	-	1433.3	-
766+97	774+38	741.0	-	-	-	-	1111.5	-
774+38	779+45	507.0	-	-	-	-	633.8	507.0
779+45	799+15	1970.0	-	-	-	-	4432.5	-
799+15	802+99	384.0	-	-	-	-	480.0	384.0
802+99	805+93	294.0	-	-	-	-	441.0	-
805+93	840+69	3476.0	-	-	-	-	7821.0	-
SB I-57 TOTALS:			0.0	0.0	0.0	0.0	16353.0	891.0
EX RAMP F								
4+06	7+00	294.0	-	-	-	-	294.0	-
7+00	10+83	383.0	-	-	-	-	383.0	383.0
10+83	11+60	77.0	-	-	-	-	154.0	-
EX RAMP F TOTALS:			0.0	0.0	0.0	0.0	831.0	383.0
EX RAMP D								
53+85	54+60	75.0	-	-	-	-	150.0	-
54+60	59+62	502.0	-	-	-	-	502.0	502.0
59+62	67+02	740.0	-	-	-	-	740.0	-
EX RAMP D TOTALS:			0.0	0.0	0.0	0.0	1392.0	502.0
STAGE 2 TOTALS:			234.3	1865.0	95.0	1356.8	37385.5	3131.0

USER NAME =	kaleb.hirtzel	DESIGNED -	REVISED -
		DRAWN -	REVISED -
		CHECKED -	REVISED -
PLOT DATE =	8/19/2024	DATE -	REVISED -

STATE OF ILLINOIS DEPARTMENT OF TRANSPORTATION	
---	--

SCHEDULE OF QUANTITIES			
SCALE:	SHEET 39 OF 50 SHEETS	STA.	TO STA.

F.A.I RTE.	SECTION	COUNTY	TOTAL SHEETS	SHEET NO.
57	(15-22HB-4)BR (15-22)R	COLES	1086	71
CONTRACT NO. 74435				
ILLINOIS			FED. AID PROJECT	

TEMPORARY PAVEMENT MARKING SCHEDULE PRE-STAGE 3				
STATIONING		LENGTH	TEMPORARY PAVEMENT MARKING - LINE 6" - PAINT	TEMPORARY PAVEMENT MARKING - LINE 8" - PAINT
FROM	TO	FEET	FOOT	FOOT
SB I-57				
760+60	766+97	637.0	1433.3	-
766+97	774+38	741.0	1111.5	-
774+38	779+45	507.0	633.8	507.0
779+45	799+15	1970.0	4432.5	-
799+15	802+99	384.0	480.0	384.0
802+99	805+93	294.0	441.0	-
805+93	840+69	3476.0	7821.0	-
SB I-57 TOTALS:			16353.0	891.0
EX RAMP F				
4+06	7+00	294.0	294.0	-
7+00	10+83	383.0	383.0	383.0
10+83	11+60	77.0	154.0	-
EX RAMP F TOTALS:			831.0	383.0
EX RAMP D				
53+85	54+60	75.0	150.0	-
54+60	59+62	502.0	502.0	502.0
59+62	67+02	740.0	740.0	-
EX RAMP D TOTALS:			1392.0	502.0
NB I-57				
760+60	771+27	1067.0	2400.8	-
771+27	774+56	329.0	493.5	-
774+56	778+18	362.0	452.5	362.0
778+18	798+53	2035.0	4578.8	-
798+53	801+70	317.0	396.3	317.0
801+70	807+66	596.0	894.0	-
807+66	840+69	3303.0	7431.8	-
NB I-57 TOTALS:			16647.5	679.0
EX RAMP B				
71+27	74+55	328.0	328.0	-
74+55	78+17	362.0	362.0	362.0
78+17	79+57	140.0	280.0	-
EX RAMP B TOTALS:			970.0	362.0
EX RAMP H				
797+15	798+56	141.0	282.0	-
798+56	801+70	314.0	314.0	314.0
801+70	807+66	596.0	596.0	-
EX RAMP H TOTALS:			1192.0	314.0
PRE-STAGE 3 TOTALS:			37385.5	3131.0

TEMPORARY PAVEMENT MARKING SCHEDULE STAGE 3B				TEMPORARY PAVEMENT MARKING LETTERS AND SYMBOLS - PAINT	TEMPORARY PAVEMENT MARKING - LINE 6" - PAINT	TEMPORARY PAVEMENT MARKING - LINE 8" - PAINT	TEMPORARY PAVEMENT MARKING - LINE 12" - PAINT
STATIONING		LENGTH					
FROM	TO	FEET	SQ FT	FOOT	FOOT	FOOT	
EB IL 16							
102+06.0	104+26.0	220.0	-	550.0	-	-	-
104+26.0	108+38.0	412.0	38.6	824.0	-	-	-
108+38.0	109+33.7	95.7	144.4	95.7	191.4	-	-
109+33.7	109+91.0	57.3	-	-	232.8	17.4	-
109+91.0	111+21.0	130.0	140.8	-	368.7	37.7	-
111+21.0	111+61.4	40.4	-	-	39.2	-	-
111+61.4	114+13.5	252.1	-	252.1	-	-	-
114+13.5	116+67.1	253.6	56.6	63.4	-	-	-
116+67.1	118+60.3	193.2	113.2	193.2	-	-	-
118+60.3	118+79.0	18.7	-	23.4	-	-	-
118+79.0	118+87.3	8.3	-	4.1	-	-	-
118+87.3	119+29.2	42.0	-	10.5	46.6	15.5	-
119+29.2	120+28.1	98.9	-	98.9	88.2	18.1	-
120+28.1	121+65.8	137.7	-	137.7	400.0	49.4	-
121+65.8	122+26.0	60.2	-	120.4	60.2	-	-
122+26.0	127+76.0	550.0	-	1375.0	-	-	-
EB IL 16 TOTALS:			493.6	3748.4	1427.1	138.1	
RAINDROP							
200+00.0	200+26.0	26.0	-	-	-	-	-
200+26.0	200+62.0	36.0	-	21.9	-	-	-
RAINDROP TOTALS:			0.0	21.9	0.0	0.0	
PR RAMP C							
4000+00.0	4003+00.0	3+00	-	375.0	-	-	-
4003+00.0	4006+60.0	3+60	-	360.0	360.0	-	-

TEMPORARY PAVEMENT MARKING SCHEDULE STAGE 3B				TEMPORARY PAVEMENT MARKING LETTERS AND SYMBOLS - PAINT	TEMPORARY PAVEMENT MARKING - LINE 6" - PAINT	TEMPORARY PAVEMENT MARKING - LINE 8" - PAINT	TEMPORARY PAVEMENT MARKING - LINE 12" - PAINT
STATIONING		LENGTH					
FROM	TO	FEET	SQ FT	FOOT	FOOT	FOOT	
4006+60.0	4014+00.0	740.0	-	1480.0	-	-	-
4014+00.0	4016+39.9	239.9	-	539.8	-	-	-
4016+39.9	4018+26.5	186.6	129.9	559.8	-	-	-
4018+26.5	4018+83.6	57.1	-	57.1	-	-	-
4018+83.6	4019+99.0	115.4	108.9	0.0	333.6	221.6	-
4019+99.0	4020+36.2	37.2	12.0	0.0	75.6	22.9	-
PR RAMP C TOTALS:			250.8	3371.7	769.2	244.5	
PR RAMP D							
5000+49.4	5002+23.4	174.0	-	-	174.0	110.0	-
5002+23.4	5002+38.8	15.4	-	-	30.8	63.6	-
5002+38.8	5004+58.7	219.9	-	439.8	440.1	-	-
5004+58.7	5009+18.7	460.0	-	1035.0	-	-	-
5009+18.7	5011+75.9	257.2	-	514.4	-	-	-
5011+75.9	5016+06.0	430.1	-	430.1	430.1	-	-
5016+06.0	5024+55.8	849.8	-	1062.2	-	-	-
PR RAMP D TOTALS:			0.0	3481.6	1075.0	173.6	
NB I-57							
770+50.0	774+10.0	360.0	-	-	360.0	-	-
774+10.0	778+17.7	407.7	-	407.7	-	-	-
NB I-57 TOTALS:			0.0	407.7	360.0	0.0	
SB I-57							
772+50.0	776+82.3	432.3	-	-	432.3	-	-
776+82.3	779+35.9	253.6	-	253.6	0.0	-	-
SB I-57 TOTALS:			0.0	253.6	432.3	0.0	
STAGE 3B TOTALS:			744.4	11284.8	4063.7	556.2	

MODEL: SCHEDULES OF QUANTITIES-38 (Sheet)
FILE NAME: c:\p\work\101\hrtz\hrtz\101\05\28\2\07\4435-sheets-Schedules.dgn

USER NAME = kaleb.hirtzel	DESIGNED -	REVISED -	STATE OF ILLINOIS DEPARTMENT OF TRANSPORTATION					SCHEDULE OF QUANTITIES					F.A.I RTE. 57	SECTION (15-22HB-4)BR (15-22)R	COUNTY COLES	TOTAL SHEETS 1086	SHEET NO. 72										
	DRAWN -	REVISED -											ILLINOIS					FED. AID PROJECT									
	CHECKED -	REVISED -											SCALE:					SHEET 40 OF 50 SHEETS					STA. TO STA.				
PLOT DATE = 8/19/2024	DATE -	REVISED -																									

TEMPORARY PAVEMENT MARKING SCHEDULE STAGE 3D			TEMPORARY PAVEMENT MARKING LETTERS AND SYMBOLS - PAINT	TEMPORARY PAVEMENT MARKING - LINE 6" - PAINT	TEMPORARY PAVEMENT MARKING - LINE 8" - PAINT	TEMPORARY PAVEMENT MARKING - LINE 12" - PAINT
STATIONING		LENGTH				
FROM	TO	FEET	SQ FT	FOOT	FOOT	FOOT
WB IL 16						
102+63.4	108+13.4	550.0	-	1375.0	-	-
108+13.4	108+73.6	60.2	-	120.4	60.2	-
108+73.6	110+11.2	137.6	-	137.6	400.0	49.6
110+11.2	111+10.2	99.0	-	99.0	88.2	18.1
111+10.2	111+35.0	24.8	-	6.2	21.1	6.8
111+35.0	111+52.1	17.1	-	4.3	47.3	17.2
111+52.1	111+60.0	7.9	-	3.9	24.7	15.0
111+60.0	111+79.1	19.1	-	23.9	-	-
111+79.1	113+72.2	193.1	64.3	193.1	-	-
113+72.2	116+25.8	253.6	128.6	63.4	-	-
116+25.8	118+78.0	252.2	-	252.2	-	-
118+78.0	119+18.3	40.3	-	-	47.9	-
119+18.3	120+65.6	147.3	140.8	-	431.3	28.6
120+65.6	121+44.0	78.4	72.2	-	314.7	12.8
121+44.0	122+01.4	57.4	72.2	57.4	114.8	-
122+01.4	126+13.3	411.9	38.6	823.8	-	-
126+13.3	128+33.3	220.0	-	550.0	-	-
WB IL 16 TOTALS:			516.7	3710.2	1550.2	148.1
EB IL 16						
114+14	116+67	253.6	38.3	-	-	-
116+67	118+60	193.2	76.6	-	-	-
EB IL 16 TOTALS:			114.9	0.0	0.0	0.0
RAINDROP						
200+00.0	200+26.0	26.0	38.3	-	-	-
209+30.4	209+42.6	12.2	38.3	-	-	-
209+42.6	210+14.8	72.2	-	21.9	-	-
RAINDROP TOTALS:			76.6	21.9	0.0	0.0
PR RAMP A						
2018+43.4	2019+00.4	57.0	43.3	57.0	28.7	-
2019+00.4	2020+15.8	115.4	43.3	-	333.6	93.8
2020+15.8	2020+30.2	14.4	34.3	-	29.0	8.7
PR RAMP A TOTALS:			120.9	57.0	391.3	102.5
PR RAMP B						
3000+58.1	3000+81.5	23.4	-	-	23.4	-
3000+81.5	3001+86.5	105.0	-	-	211.3	17.1
PR RAMP B TOTALS:			0.0	0.0	234.7	17.1
STAGE 3D TOTALS:			829.1	3789.1	2176.2	267.7

TEMPORARY PAVEMENT MARKING SCHEDULE STAGE 3E			TEMPORARY PAVEMENT MARKING LETTERS AND SYMBOLS - PAINT	TEMPORARY PAVEMENT MARKING - LINE 6" - PAINT	TEMPORARY PAVEMENT MARKING - LINE 8" - PAINT
STATIONING		LENGTH			
FROM	TO	FEET	SQ FT	FOOT	FOOT
SB I-57					
799+15.0	803+40.0	425.0	-	425.0	-
803+40.0	807+00.0	360.0	-	-	360.0
807+00.0	810+00.0	300.0	-	75.0	-
SB I-57 TOTALS:			0.0	500.0	360.0
PR RAMP A					
2000+00.0	2003+00.0	300.0	-	300.0	-
2003+00.0	2006+59.7	359.7	-	359.7	360.0
2006+59.7	2014+16.7	757.0	-	1514.0	-
2014+16.7	2016+56.7	240.0	-	540.0	-
2016+56.7	2017+51.0	94.3	86.6	282.9	-
PR RAMP A TOTALS:			86.6	2996.6	360.0
STAGE 3E TOTALS:			86.6	3496.6	720.0

TEMPORARY PAVEMENT MARKING SCHEDULE STAGE 3F			TEMPORARY PAVEMENT MARKING - LINE 6" - PAINT	TEMPORARY PAVEMENT MARKING - LINE 8" - PAINT
STATIONING		LENGTH		
FROM	TO	FEET	FOOT	FOOT
NB I-57				
798+52.8	800+73.2	220.4	220.4	-
800+73.2	805+00.0	426.8	-	426.8
805+00.0	813+50.0	850.0	212.5	-
NB I-57 TOTALS:			432.9	426.8
PR RAMP B				
3001+86.5	3002+37.3	50.8	152.4	-
3002+37.3	3006+77.2	439.9	989.8	-
3006+77.2	3011+97.8	520.6	1041.2	-
3011+97.8	3016+22.4	424.6	424.6	424.6
3016+22.4	3024+72.2	849.8	1699.6	-
PR RAMP B TOTALS:			4307.6	424.6
STAGE 3F TOTALS:			4740.5	851.4

TEMPORARY PAVEMENT MARKING SCHEDULE STAGE 3G			TEMPORARY PAVEMENT MARKING LETTERS AND SYMBOLS - PAINT	TEMPORARY PAVEMENT MARKING - LINE 6" - PAINT	TEMPORARY PAVEMENT MARKING - LINE 8" - PAINT	TEMPORARY PAVEMENT MARKING - LINE 12" - PAINT
STATIONING		LENGTH				
FROM	TO	FEET	SQ FT	FOOT	FOOT	FOOT
EB IL 16						
91+75.0	102+06.0	1031.0	-	2319.8	-	-
127+76.0	128+62.0	86.0	-	193.4	-	-
128+62.0	128+00.0	STA. EQU.	-	0.0	-	-
128+00.0	142+01.0	1401.0	-	3152.3	-	-
142+01.0	144+17.3	216.3	62.4	486.7	-	-
144+17.3	146+07.5	190.2	-	237.8	129.0	71.5
146+07.5	147+95.0	187.5	-	421.9	-	-
EB IL 16 TOTALS:			62.4	6811.7	129.0	71.5
WB IL 16						
91+75.0	102+63.4	1088.4	-	2448.9	-	-
128+33.3	128+62.0	28.7	-	64.5	-	-
128+62.0	128+00.0	STA. EQU.	-	-	-	-
128+00.0	147+95.0	1995.0	-	4488.8	-	-
WB IL 16 TOTALS:			0.0	7002.2	0.0	0.0
STAGE 3G TOTALS:			62.4	13813.9	129.0	71.5

MODEL: SCHEDULES OF QUANTITIES-39 (Sheet)
FILE NAME: c:\pwworking\hertz\h100852852\074435-sheets\Schedules.dgn

USER NAME = kaleb.hirtzel	DESIGNED -	REVISED -
	DRAWN -	REVISED -
	CHECKED -	REVISED -
PLOT DATE = 9/26/2025	DATE -	REVISED -

**STATE OF ILLINOIS
DEPARTMENT OF TRANSPORTATION**

SCHEDULE OF QUANTITIES

SCALE: SHEET 41 OF 50 SHEETS STA. TO STA.

F.A.I. RTE.	SECTION	COUNTY	TOTAL SHEETS	SHEET NO.
57	(15-22HB-4)BR (15-22)R	COLES	1086	73
CONTRACT NO. 74435				
ILLINOIS FED. AID PROJECT				

PAVEMENT MARKING SCHEDULE I-57 & PR RAMP			PREFORMED PLASTIC PAVEMENT MARKING - INLAID - LINE 6"	MODIFIED URETHANE PAVEMENT MARKING - LETTERS AND SYMBOLS	MODIFIED URETHANE PAVEMENT MARKING - LINE 6"	MODIFIED URETHANE PAVEMENT MARKING - LINE 8"	MODIFIED URETHANE PAVEMENT MARKING - LINE 12"	GROOVING FOR RECESSED PAVEMENT MARKING, LETTERS AND SYMBOLS	GROOVING FOR RECESSED PAVEMENT MARKING 7"	GROOVING FOR RECESSED PAVEMENT MARKING 9"	GROOVING FOR RECESSED PAVEMENT MARKING 13"	RAISED REFLECTIVE PAVEMENT MARKER
STATIONING	LENGTH											
FROM	TO	FEET										
NB I-57												
760+60.0	767+50.0	690.0	172.5	-	1380.0	-	-	-	1552.5	-	-	17
767+50.0	770+50.0	300.0	75.0	-	375.0	-	-	-	450.0	-	-	8
770+50.0	774+10.0	360.0	90.0	-	360.0	360.0	-	-	450.0	360.0	-	9
774+10.0	800+73.2	2663.2	665.8	-	5326.4	-	-	-	5992.2	-	-	62
800+73.2	805+00.0	426.8	106.7	-	426.8	426.8	-	-	533.5	426.8	-	11
805+00.0	813+50.0	850.0	212.5	-	1062.5	-	-	-	1275.0	-	-	21
813+50.0	840+69.0	2719.0	679.8	-	5438.0	-	-	-	6117.8	-	-	63
NB I-57 TOTALS:			2002.3	0.0	14368.7	786.8	0.0	0.0	16371.0	786.8	0.0	190
SB I-57												
760+60.0	764+00.0	340.0	85.0	-	680.0	-	-	-	765.0	-	-	9
764+00.0	772+50.0	850.0	212.5	-	1062.5	-	-	-	1275.0	-	-	21
772+50.0	776+82.3	432.3	108.1	-	432.3	432.3	-	-	540.4	432.3	-	11
776+82.3	803+40.0	2657.7	664.4	-	5315.4	-	-	-	5979.8	-	-	62
803+40.0	807+00.0	360.0	90.0	-	360.0	360.0	-	-	450.0	360.0	-	9
807+00.0	810+00.0	300.0	75.0	-	375.0	-	-	-	450.0	-	-	8
810+00.0	840+69.0	3069.0	767.3	-	6138.0	-	-	-	6905.3	-	-	72
SB I-57 TOTALS:			2002.3	0.0	14363.2	792.3	0.0	0.0	16365.5	792.3	0.0	190
PR RAMP A												
2000+00.0	2003+00.0	300.0	-	-	300.0	-	-	24.3	300.0	-	-	-
2003+00.0	2006+59.7	359.7	-	-	359.7	359.7	-	-	359.7	359.7	-	-
2006+59.7	2014+16.7	757.0	-	24.3	1514.0	-	-	-	1514.0	-	-	-
2014+16.7	2016+56.7	240.0	-	-	540.0	-	-	-	540.0	-	-	-
2016+56.7	2018+43.4	186.7	-	86.6	560.1	-	-	86.6	560.1	-	-	-
2018+43.4	2019+00.4	57.0	-	43.3	57.0	28.7	-	43.3	57.0	28.7	-	-
2019+00.4	2020+15.8	115.4	-	23.3	-	333.6	93.8	23.3	-	333.6	93.8	-
2020+15.8	2020+30.2	14.4	-	34.3	-	29.0	8.7	34.3	-	29.0	8.7	-
PR RAMP A TOTALS:			0.0	211.8	3330.8	751.0	102.5	211.8	3330.8	751.0	102.5	0
PR RAMP B												
3000+58.1	3000+81.5	23.4	-	-	-	23.4	-	-	-	23.4	-	-
3000+81.5	3001+86.5	105.0	-	-	-	211.3	17.1	-	-	211.3	17.1	-

PAVEMENT MARKING SCHEDULE I-57 & PR RAMP			PREFORMED PLASTIC PAVEMENT MARKING - INLAID - LINE 6"	MODIFIED URETHANE PAVEMENT MARKING - LETTERS AND SYMBOLS	MODIFIED URETHANE PAVEMENT MARKING - LINE 6"	MODIFIED URETHANE PAVEMENT MARKING - LINE 8"	MODIFIED URETHANE PAVEMENT MARKING - LINE 12"	GROOVING FOR RECESSED PAVEMENT MARKING, LETTERS AND SYMBOLS	GROOVING FOR RECESSED PAVEMENT MARKING 7"	GROOVING FOR RECESSED PAVEMENT MARKING 9"	GROOVING FOR RECESSED PAVEMENT MARKING 13"	RAISED REFLECTIVE PAVEMENT MARKER
STATIONING	LENGTH											
FROM	TO	FEET										
3001+86.5	3002+37.3	50.8	-	-	152.4	-	-	-	-	-	-	152.4
3002+37.3	3006+77.2	439.9	-	-	989.8	-	-	-	-	-	-	989.8
3006+77.2	3011+97.7	520.5	-	-	1041.0	-	-	-	-	-	-	1041.0
3011+97.7	3016+22.4	424.7	-	-	424.7	424.7	-	-	-	-	-	424.7
3016+22.4	3024+72.2	849.8	-	-	849.8	-	-	-	-	-	-	849.8
PR RAMP B TOTALS:			0.0	0.0	3457.7	659.4	17.1	0.0	3457.7	659.4	17.1	0
PR RAMP C												
4000+00.0	4003+00.0	300.0	-	-	300.0	-	-	-	-	-	-	300.0
4003+00.0	4006+60.0	360.0	-	-	360.0	360.0	-	-	-	-	-	360.0
4006+60.0	4014+00.0	740.0	-	24.3	1480.0	-	-	24.3	1480.0	-	-	-
4014+00.0	4016+39.9	239.9	-	-	540.0	-	-	-	540.0	-	-	-
4016+39.9	4018+26.5	186.6	-	129.9	559.5	-	-	129.9	559.5	-	-	-
4018+26.5	4018+83.6	57.1	-	-	57.1	-	-	-	57.1	0.0	-	-
4018+83.6	4019+99.0	115.4	-	108.9	-	333.6	221.6	108.9	-	333.6	221.6	-
4019+99.0	4020+36.2	37.2	-	12.0	-	75.6	22.9	12.0	-	75.6	22.9	-
PR RAMP C TOTALS:			0.0	275.1	3296.6	769.2	244.5	275.1	3296.6	769.2	244.5	0
PR RAMP D												
5000+49.4	5002+23.4	174.0	-	-	-	174.0	110.0	-	-	174.0	110.0	-
5002+23.4	5002+38.8	15.4	-	-	-	30.8	63.6	-	-	30.8	63.6	-
5002+38.8	5004+58.7	219.9	-	-	-	440.1	-	-	-	440.1	-	-
5004+58.7	5009+18.7	460.0	-	-	1035.0	-	-	-	1035.0	-	-	-
5009+18.7	5011+75.9	257.2	-	-	514.6	-	-	-	514.6	-	-	-
5011+75.9	5016+06.0	430.0	-	-	430.0	430.0	-	-	430.0	430.0	-	-
5016+06.0	5024+55.8	849.8	-	-	849.8	-	-	-	849.8	-	-	-
PR RAMP D TOTALS:			0.0	0.0	2829.4	1074.9	173.6	0.0	2829.4	1074.9	173.6	0
I-57 & RAMP TOTALS:			4004.5	486.9	41646.4	4833.6	537.7	486.9	45650.9	4833.6	537.7	381

MODEL - SCHEDULES OF QUANTITIES-A0 (Sheet)
FILE NAME - c:\pdx_work\pdx\hrtz\hrtz\hrtz\435-sheets-Schedules.dgn

USER NAME = kaleb.hirtzel	DESIGNED -	REVISED -
	DRAWN -	REVISED -
	CHECKED -	REVISED -
PLOT DATE = 8/19/2024	DATE -	REVISED -

**STATE OF ILLINOIS
DEPARTMENT OF TRANSPORTATION**

SCHEDULE OF QUANTITIES

SCALE: SHEET 42 OF 50 SHEETS STA. TO STA.

F.A.I RTE.	SECTION	COUNTY	TOTAL SHEETS	SHEET NO.
57	(15-22HB-4)BR (15-22)R	COLES	1086	74
CONTRACT NO. 74435				
ILLINOIS FED. AID PROJECT				

PAVEMENT MARKING SCHEDULE IL 16, RAINDROP & PR SHARED-USE PATH			MODIFIED URETHANE PAVEMENT MARKING - LETTERS AND SYMBOLS	MODIFIED URETHANE PAVEMENT MARKING - LINE 6"	MODIFIED URETHANE PAVEMENT MARKING - LINE 8"	MODIFIED URETHANE PAVEMENT MARKING - LINE 12"	PREFORMED THERMOPLASTIC PAVEMENT MARKING SHIELD	GROOVING FOR RECESSED PAVEMENT MARKING, LETTERS AND SYMBOLS	GROOVING FOR RECESSED PAVEMENT MARKING 7"	GROOVING FOR RECESSED PAVEMENT MARKING 9"	GROOVING FOR RECESSED PAVEMENT MARKING 13"	RAISED REFLECTIVE PAVEMENT MARKER
STATIONING		LENGTH	SQ FT	FOOT	FOOT	FOOT	EACH	SQ FT	FOOT	FOOT	FOOT	EACH
FROM	TO	FEET										
EB IL 16												
91+75.0	102+06.0	1031.0	-	2319.8	-	-	-	-	2319.8	-	-	13
102+06.0	104+26.0	220.0	-	550.0	-	-	-	-	550.0	-	-	3
104+26.0	108+38.0	412.0	65.7	824.0	-	-	1	38.6	824.0	-	-	-
108+38.0	109+33.7	95.7	144.4	95.7	191.4	-	-	144.4	95.7	191.4	-	-
109+33.7	109+91.0	57.3	-	-	232.8	35.8	-	-	-	232.8	35.8	-
109+91.0	111+21.0	130.0	140.8	-	368.7	84.0	-	140.8	-	368.7	84.0	-
111+21.0	111+61.4	40.4	-	-	39.2	-	-	-	-	39.2	-	-
111+61.4	114+13.5	252.1	-	252.1	-	-	-	-	252.1	-	-	-
114+13.5	116+67.1	253.6	56.6	63.4	-	-	-	56.6	63.4	-	-	-
116+67.1	118+60.3	193.2	113.2	193.2	-	-	-	113.2	193.2	-	-	-
118+60.3	118+79.0	18.7	-	23.4	-	-	-	-	23.4	-	-	-
118+79.0	118+87.3	8.3	-	4.1	-	-	-	-	4.1	-	-	-
118+87.3	119+29.2	42.0	-	10.5	46.6	15.5	-	-	10.5	46.6	15.5	-
119+29.2	120+28.1	98.9	-	98.9	88.2	18.1	-	-	98.9	88.2	18.1	-
120+28.1	121+65.8	137.7	-	137.7	400.0	49.4	-	-	137.7	400.0	49.4	-
121+65.8	122+26.0	60.2	-	120.4	60.2	-	-	-	120.4	60.2	-	-
122+26.0	127+76.0	550.0	-	1375.0	-	-	-	-	1375.0	-	-	7
127+76.0	128+62.0	86.0	-	193.4	-	-	-	-	193.4	-	-	1
128+62.0	128+00.0	STA. EQU.	-	0.0	-	-	-	-	-	-	-	-
128+00.0	142+01.0	1401.0	-	3152.3	-	-	-	-	3152.3	-	-	18
142+01.0	144+17.3	216.3	62.4	703.0	-	-	-	62.4	703.0	-	-	3
144+17.3	146+07.5	190.2	-	237.8	-	71.5	-	-	237.8	-	71.5	2
146+07.5	147+95.0	187.5	-	421.9	-	-	-	-	421.9	-	-	2
EB IL 16 TOTALS:			583.1	10776.4	1427.1	274.3	1	556.0	10776.4	1427.1	274.3	49
WB IL 16												
91+75.0	102+63.4	1088.4	-	2448.9	-	-	-	-	2448.9	-	-	14
102+63.4	108+13.4	550.0	-	1375.0	-	-	-	-	1375.0	-	-	7
108+13.4	108+73.6	60.2	-	120.4	60.2	-	-	-	120.4	60.2	-	-
108+73.6	110+11.2	137.6	-	137.6	400.0	49.6	-	-	137.6	400.0	49.6	-
110+11.2	111+10.2	99.0	-	99.0	88.2	18.1	-	-	99.0	88.2	18.1	-

PAVEMENT MARKING SCHEDULE IL 16, RAINDROP & PR SHARED-USE PATH			MODIFIED URETHANE PAVEMENT MARKING - LETTERS AND SYMBOLS	MODIFIED URETHANE PAVEMENT MARKING - LINE 6"	MODIFIED URETHANE PAVEMENT MARKING - LINE 8"	MODIFIED URETHANE PAVEMENT MARKING - LINE 12"	PREFORMED THERMOPLASTIC PAVEMENT MARKING SHIELD	GROOVING FOR RECESSED PAVEMENT MARKING, LETTERS AND SYMBOLS	GROOVING FOR RECESSED PAVEMENT MARKING 7"	GROOVING FOR RECESSED PAVEMENT MARKING 9"	GROOVING FOR RECESSED PAVEMENT MARKING 13"	RAISED REFLECTIVE PAVEMENT MARKER
STATIONING		LENGTH	SQ FT	FOOT	FOOT	FOOT	EACH	SQ FT	FOOT	FOOT	FOOT	EACH
FROM	TO	FEET										
RAINDROP												
111+10.2	111+35.0	24.8	-	6.2	21.1	6.8	-	-	6.2	21.1	6.8	-
111+35.0	111+52.1	17.1	-	4.3	47.3	17.2	-	-	4.3	47.3	17.2	-
111+52.1	111+60.0	7.9	-	3.9	24.7	15.0	-	-	3.9	24.7	15.0	-
111+60.0	111+79.1	19.1	-	23.9	-	-	-	-	23.9	-	-	-
111+79.1	113+72.2	193.1	64.3	193.1	-	-	-	64.3	193.1	-	-	-
113+72.2	116+25.8	253.6	128.6	63.4	-	-	-	128.6	63.4	-	-	-
116+25.8	118+78.0	252.2	-	252.2	-	-	-	-	252.2	-	-	-
118+78.0	119+18.3	40.3	-	-	47.9	22.6	-	-	-	47.9	22.6	-
119+18.3	120+65.6	147.3	140.8	-	431.3	70.6	-	140.8	-	431.3	70.6	-
120+65.6	121+44.0	78.4	72.2	-	314.7	12.8	-	72.2	-	314.7	12.8	-
121+44.0	122+01.4	57.4	72.2	57.4	114.8	-	-	72.2	57.4	114.8	-	-
122+01.4	126+13.3	411.9	67.8	823.8	-	-	1	38.6	823.8	-	-	-
126+13.3	128+33.3	220.0	-	550.0	-	-	-	-	550.0	-	-	3
128+33.3	128+62.0	28.7	-	64.5	-	-	-	-	64.5	-	-	1
128+62.0	128+00.0	STA. EQU.	-	0.0	-	-	-	-	-	-	-	-
128+00.0	147+95.0	1995.0	-	4488.8	-	-	-	-	4488.8	-	-	25
WB IL 16 TOTALS:			545.9	11278.6	984.0	212.7	1	516.7	11278.6	984.0	212.7	49
RAINDROP												
200+00.0	200+26.0	26.0	-	-	-	-	-	-	-	-	-	-
200+26.0	200+98.3	72.3	-	21.9	-	-	-	-	21.9	-	-	-
209+30.4	209+42.6	12.2	-	-	-	-	-	-	-	-	-	-
209+42.6	210+14.8	72.2	-	21.9	-	-	-	-	21.9	-	-	-
RAINDROP TOTALS:			0.0	43.8	0.0	0.0	0	0.0	43.8	0.0	0.0	0
PR SHARED-USE PATH												
-	522+05.0	-	-	-	-	5.0	-	-	-	-	-	-
-	522+67.0	-	-	-	-	5.0	-	-	-	-	-	-
-	529+64.0	-	-	-	-	5.0	-	-	-	-	-	-
-	530+16.0	-	-	-	-	5.0	-	-	-	-	-	-
PR SHARED-USE PATH TOTALS:			0.0	0.0	0.0	20.0	0	0.0	0.0	0.0	0.0	0
IL 16, RAINDROP & PATH TOTALS:			1129.0	21532.6	2577.3	507.0	2	1072.7	21532.6	2977.3	487.0	97.7

MODEL - SCHEDULES OF QUANTITIES-41 (Sheet)
FILE NAME - c:\p\work\pavement\hrtzet\hrtzet\08082822\0774435-sheets-Schedules.dgn

USER NAME	= kaleb.hirtzel
PLOT DATE	= 9/26/2025

DESIGNED	-	REVISED	-
DRAWN	-	REVISED	-
CHECKED	-	REVISED	-
DATE	-	REVISED	-

**STATE OF ILLINOIS
DEPARTMENT OF TRANSPORTATION**

SCHEDULE OF QUANTITIES

SCALE: SHEET 43 OF 50 SHEETS STA. TO STA.

F.A.I RTE.	SECTION	COUNTY	TOTAL SHEETS	SHEET NO.
57	(15-22HB-4)BR (15-22)R	COLES	1086	75
CONTRACT NO. 74435				
ILLINOIS		FED. AID PROJECT		

MODEL: SCHEDULES OF QUANTITIES-42 (Sheet)
 FILE NAME: c:\pdx_work\work\hrtz\hrtz\hrtz\085282\0774435-sheets-Schedules.dgn

TEMPORARY SIGN SCHEDULE PRE-STAGE				SIGN PANEL - TYPE 1	SIGN PANEL - TYPE 2	WOOD SIGN SUPPORT
STATION	SIDE	CATALOG NO.	SIZE			
			INCHES	SQ FT	SQ FT	FOOT
EX EB IL 16						
104+92	LT	W3-3 (O)	48X48	-	16.0	16.5
104+92	RT	W3-3 (O)	48X48	-	16.0	16.5
106+92	LT	M3-1	36X18	4.5	-	18.8
		M1-12	36X36	9.0	-	
		M6-3 (O)	30X21	4.4	-	
106+92	RT	M3-1	36X18	4.5	-	18.8
		M1-12	36X36	9.0	-	
		M6-3 (O)	30X21	4.4	-	
108+00	LT	R3-2	36X36	9.0	-	15.2
117+90	LT	M3-1	36X18	4.5	-	18.8
		M1-12	36X36	9.0	-	
		M6-1L (O)	30X21	4.4	-	
119+70	LT	R3-8	48X30	-	10.0	16.5
119+70	RT	R3-8	48X30	-	10.0	16.5
120+90	RT	R3-1	36X36	9.0	-	15.9
121+54	LT	M3-1	36X18	4.5	-	18.8
		M1-12	36X36	9.0	-	
		M6-1L (O)	30X21	4.4	-	
EX EB IL 16 TOTALS:				89.5	52.0	172.1

TEMPORARY SIGN SCHEDULE PRE-STAGE				SIGN PANEL - TYPE 1	SIGN PANEL - TYPE 2	WOOD SIGN SUPPORT
STATION	SIDE	CATALOG NO.	SIZE			
			INCHES	SQ FT	SQ FT	FOOT
EX WB IL 16						
107+97	RT	M3-3	36X18	4.5	-	18.8
		M1-12	36X36	9.0	-	
		M6-1L (O)	30X21	4.4	-	
108+60	LT	R3-1	36X36	9.0	-	16.2
109+78	LT	R3-8 (O)	48X30	-	10.0	16.5
109+78	RT	R3-8 (O)	48X30	-	10.0	16.5
111+52	RT	M3-3	36X18	4.5	-	18.8
		M1-12	36X36	9.0	-	
		M6-1L (O)	30X21	4.4	-	
117+70	LT	W24-1A (O)	48X48	-	16.0	16.5
117+70	RT	W24-1A (O)	48X48	-	16.0	16.5
121+49	RT	R3-2	36X36	9.0	-	15.2
122+59	LT	M3-3	36X18	4.5	-	18.8
		M1-12	36X36	9.0	-	
		M6-3 (O)	30X21	4.4	-	
122+59	RT	M3-3	36X18	4.5	-	18.8
		M1-12	36X36	9.0	-	
		M6-3 (O)	30X21	4.4	-	
124+59	LT	W3-3 (O)	48X48	-	16.0	16.5
124+59	RT	W3-3 (O)	48X48	-	16.0	16.5
EX WB IL 16 TOTALS:				89.5	84.0	205.4

TEMPORARY SIGN SCHEDULE PRE-STAGE				SIGN PANEL - TYPE 1	SIGN PANEL - TYPE 2	WOOD SIGN SUPPORT
STATION	SIDE	CATALOG NO.	SIZE			
			INCHES	SQ FT	SQ FT	FOOT
EX RAMP B						
84+50	LT	M3-9	36X18	4.5	-	18.8
		M1-1100	36X36	9.0	-	
		M6-2L (O)	30X21	4.4	-	
		M3-2	36X18	4.5	-	
		M1-1100	36X36	9.0	-	
		M6-2R (O)	30X21	4.4	-	
87+00	LT	W3-3 (O)	48X48	-	16.0	16.5
88+52	LT	W12-1 (O)	48X48	-	16.0	16.5
EX RAMP B TOTALS:				35.8	32.0	51.8
EX RAMP D						
45+41	LT	W4-1L	48X48	-	16.0	16.8
45+41	RT	R1-2	36X36	9.0	-	16.3
EX RAMP D TOTALS:				9.0	16.0	33.1
EX RAMP F						
16+60	LT	M3-2	36X18	4.5	-	18.8
		M1-1100	36X36	9.0	-	
		M6-2L (O)	30X21	4.4	-	
		M3-9	36X18	4.5	-	
		M1-1100	36X36	9.0	-	
		M6-2R (O)	30X21	4.4	-	
19+00	LT	W3-3 (O)	48X48	-	16.0	16.5
22+09	LT	W12-1 (O)	48X48	-	16.0	16.5
EX RAMP F TOTALS:				35.8	32.0	51.8
EX RAMP H						
789+43	LT	W4-1L	48X48	-	16.0	16.9
789+43	RT	R1-2	36X36	9	-	16.3
EX RAMP H TOTALS:				9.0	16.0	33.2

TEMPORARY SIGN SCHEDULE PRE-STAGE				SIGN PANEL - TYPE 1	SIGN PANEL - TYPE 2	WOOD SIGN SUPPORT
STATION	SIDE	CATALOG NO.	SIZE			
			INCHES	SQ FT	SQ FT	FOOT
NW TEMPORARY RAMP						
6002+47	LT	R5-1A	36X24	6.0	-	15.5
6002+47	RT	R5-1A	36X24	6.0	-	15.5
6003+47	LT	R6-1R	36X12	3.0	-	19.1
		R6-1L	36X12	3.0		
		R5-1	36X36	9.0		
		M3-2	36X18	4.5		
		M1-1100	36X36	9.0		
		M6-1L(O)	30X21	4.4		
6003+47	RT	R6-1R	36X12	3.0	-	18.5
		R6-1L	36X12	3.0		
		R5-1	36X36	9.0		
NW TEMPORARY RAMP TOTALS:				59.9	0.0	68.6
SE TEMPORARY RAMP						
8002+20	LT	R5-1A	36X24	6.0	-	15.5
8002+20	RT	R5-1A	36X24	6.0	-	15.5
8003+20	LT	R6-1R	36X12	3.0	-	19.1
		R6-1L	36X12	3.0		
		R5-1	36X36	9.0		
		M3-9	36X18	4.5		
		M1-1100	36X36	9.0		
		M6-1L(O)	30X21	4.4		
8003+20	RT	R6-1R	36X12	3.0	-	18.1
		R6-1L	36X12	3.0		
		R5-1	36X36	9.0		
SE TEMPORARY RAMP TOTALS:				59.9	0.0	68.2
PRE-STAGE TOTALS:				388.3	216.0	684.0

USER NAME = kaleb.hirtzel	DESIGNED -	REVISED -
	DRAWN -	REVISED -
	CHECKED -	REVISED -
PLOT DATE = 8/19/2024	DATE -	REVISED -

STATE OF ILLINOIS
 DEPARTMENT OF TRANSPORTATION

SCHEDULE OF QUANTITIES

SCALE: SHEET 44 OF 50 SHEETS STA. TO STA.

F.A.I RTE.	SECTION	COUNTY	TOTAL SHEETS	SHEET NO.
57	(15-22HB-4)BR (15-22)R	COLES	1086	76
CONTRACT NO. 74435				
ILLINOIS FED. AID PROJECT				

PERMANENT SIGNS SCHEDULE PR I-57 EXIT RAMPS				SIGN PANEL - TYPE 1	SIGN PANEL - TYPE 2	SIGN PANEL - TYPE 3	TELESCOPING STEEL SIGN SUPPORT	WOOD SIGN SUPPORT	STRUCTURAL STEEL SIGN SUPPORTS - BREAKAWAY	CONCRETE FOUNDATIONS
STATION	SIDE	CATALOG NO.	SIZE	SQ FT	SQ FT	SQ FT	FOOT	FOOT	POUND	CU YD
			INCHES							
PR RAMP A										
2004+80	RT	W13-3	48X60	-	20.0	-	-	-	-	-
2007+12	LT	E5-1C	60X90	-	-	37.5	-	40.6	-	-
2009+12	RT	LOGO	150X96	-	-	100.0	-	-	1175.2	2.5
2011+12	RT	LOGO	150X96	-	-	100.0	-	-	1170.0	2.5
2014+17	RT	R3-I100A	24X24	4.0	-	-	-	-	2895.6	6.3
		GUIDE	240X120	-	-	200.0	-	-		
2016+10	LT	W2-6	48X48	-	16.0	-	-	17.6	-	-
		W16-17P	24X12	2.0	-	-				
		R5-1A	36X24	6.0	-	-				
		**	2X60	0.8	-	-				
2016+10	RT	W2-6	48X48	-	16.0	-	-	18.6	-	-
		W16-17P	24X12	2.0	-	-				
		R5-1A	36X24	6.0	-	-				
		**	2X60	0.8	-	-				
2016+50	RT	LOGO	150X96	-	-	100.0	-	-	732.6	1.4
2018+17	RT	LOGO	150X96	-	-	100.0	-	-	582.0	1.4
2018+48	LT	R3-8	30X30	6.3	-	-	-	15.1	-	-
		**	2X60	0.8	-	-				
		R5-1A	36X24	6.0	-	-				
2018+48	RT	R3-8	30X30	6.3	-	-	-	14.8	-	-
		**	2X60	0.8	-	-				
		R5-1A	36X24	6.0	-	-				
2020+41	RT	M3-2	36X18	4.5	-	-	17.1	-	-	-
		M1-I100	36X36	9.0	-	-				
		M6-2L	30X21	4.4	-	-				
		M3-9	36X18	4.5	-	-				
		M1-I100	36X36	9.0	-	-				
2020+47	RT	M6-2R	30X21	4.4	-	-	14.8	-	-	-
		R6-1L	36X12	3.0	-	-				
		F5-1	36X36	9.0	-	-				
		**	2X60	0.8	-	-				
R6-1R	36X12	3.0	-	-	-	-	-	-	-	
PR RAMP A TOTALS:				99.4	52.0	637.5	31.9	106.7	6555.4	14.2
PR RAMP C										
4004+80	RT	W13-3	48X60	-	20.0	-	-	-	-	-
4007+13	LT	E5-1C	60X90	-	-	37.5	-	40.6	-	-
4009+13	RT	LOGO	150X96	-	-	100.0	-	-	757.8	1.4
4011+13	RT	LOGO	150X96	-	-	100.0	-	-	756.0	1.4
4014+00	RT	R3-I100A	24X24	4.0	-	-	-	-	1445.4	3.5
		GUIDE	240X120	-	-	200.0	-	-		
4015+90	LT	W2-6	48X48	-	16.0	-	-	17.6	-	-
		W16-17P	24X12	2.0	-	-				
		R5-1A	36X24	6.0	-	-				
		**	2X60	0.8	-	-				

PERMANENT SIGNS SCHEDULE PR I-57 EXIT RAMPS				SIGN PANEL - TYPE 1	SIGN PANEL - TYPE 2	SIGN PANEL - TYPE 3	TELESCOPING STEEL SIGN SUPPORT	WOOD SIGN SUPPORT	STRUCTURAL STEEL SIGN SUPPORTS - BREAKAWAY	CONCRETE FOUNDATIONS
STATION	SIDE	CATALOG NO.	SIZE	SQ FT	SQ FT	SQ FT	FOOT	FOOT	POUND	CU YD
			INCHES							
4015+90	RT	W2-6	48X48	-	16.0	-	-	17.8	-	-
		W16-17P	24X12	2.0	-	-				
		R5-1A	36X24	6.0	-	-				
		**	2X60	0.8	-	-				
4016+30	RT	LOGO	150X96	-	-	100.0	-	-	564.0	1.4
4017+34	LT	W11-15	36X36	9.0	-	-	-	17.6	-	-
		W11-15P	24X12	2.0	-	-				
		W16-9P	24X12	2.0	-	-				
4017+34	RT	W11-15	36X36	9.0	-	-	-	17.8	-	-
		W11-15P	24X12	2.0	-	-				
		W16-9P	24X12	2.0	-	-				
4018+00	RT	LOGO	150X96	-	-	100.0	-	-	553.5	1.4
4018+32	LT	R3-8	30X30	6.3	-	-	-	15.0	-	-
		**	2X60	0.8	-	-				
		R5-1A	36X24	6.0	-	-				
4018+32	RT	R3-8	30X30	6.3	-	-	-	14.7	-	-
		**	2X60	0.8	-	-				
		R5-1A	36X24	6.0	-	-				
4018+96	RT	W11-15	36X36	9.0	-	-	-	17.0	-	-
		M6-2L	30X21	4.4	-	-				
4019+04	RT	R5-3	24X24	4.0	-	-	-	14.0	-	-
4019+08	LT	W11-15	36X36	9.0	-	-	-	17.0	-	-
		M6-2L	30X21	4.4	-	-				
4019+16	LT	R1-1	30X30	6.3	-	-	-	15.1	-	-
4019+21	RT	R1-1	30X30	6.3	-	-	-	14.5	-	-
4019+31	LT	R5-3	24X24	4.0	-	-	-	14.1	-	-
4020+24	RT	M3-9	36X18	4.5	-	-	17.1	-	-	-
		M1-I100	36X36	9.0	-	-				
		M6-2L	30X21	4.4	-	-				
		M3-2	36X18	4.5	-	-				
		M1-I100	36X36	9.0	-	-				
		M6-2R	30X21	4.4	-	-				
4020+31	RT	R6-1L	36X12	3.0	-	-	14.8	-	-	-
		R5-1	36X36	9.0	-	-				
		**	2X60	0.8	-	-				
		R6-1R	36X12	3.0	-	-				
PR RAMP C TOTALS:				172.7	52.0	637.5	31.9	232.8	4076.7	9.1
PR I-57 EXIT RAMP TOTALS:				272.1	104.0	1275.0	63.9	339.5	10632.1	23.3

** SEE RED RETROREFLECTIVE SIGN SUPPORT DETAIL

MODEL: SCHEDULES OF QUANTITIES-44 [Sheet]
FILE NAME: c:\p\work\w\01stefm\m\k\082862\0714435-sheets-Schedule44.dgn

USER NAME = kaleb.hirtzel
PLOT DATE = 8/4/2025

DESIGNED -	REVISED -
DRAWN -	REVISED -
CHECKED -	REVISED -
DATE -	REVISED -

**STATE OF ILLINOIS
DEPARTMENT OF TRANSPORTATION**

SCHEDULE OF QUANTITIES

SCALE: SHEET 46 OF 50 SHEETS STA. TO STA.

F.A.I RTE.	SECTION	COUNTY	TOTAL SHEETS	SHEET NO.
57	(15-22HB-4)BR (15-22)R	COLES	1086	78
CONTRACT NO. 74435				
ILLINOIS FED. AID PROJECT				

PERMANENT SIGNS SCHEDULE - EB IL 16				SIGN PANEL - TYPE 1	SIGN PANEL - TYPE 2	SIGN PANEL - TYPE 3	TELESCOPING STEEL SIGN SUPPORT	WOOD SIGN SUPPORT	STRUCTURAL STEEL SIGN SUPPORTS - BREAKAWAY	CONCRETE FOUNDATIONS
STATION	SIDE	CATALOG NO.	SIZE	SQ FT	SQ FT	SQ FT	FOOT	FOOT	POUND	CU YD
			INCHES							
EB IL 16										
96+75	LT	R2-1	36X48	-	12.0	-	-	16.8	-	-
96+75	RT	R2-1	36X48	-	12.0	-	-	17.7	-	-
104+65	RT	R3-I100A	24X24	4.0	-	-	-	-	-	-
	OVERHEAD	GUIDE	228X150	-	-	237.5	-	-	-	-
106+15	LT	W2-16	48X48	-	16.0	-	-	17.8	-	-
		W16-17P	24X12	2.0	-	-	-	-	-	-
106+15	RT	W2-16	48X48	-	16.0	-	-	17.6	-	-
		W16-17P	24X12	2.0	-	-	-	-	-	-
107+40	LT	R3-8	48X30	-	10.0	-	-	14.8	-	-
107+40	RT	R3-8	48X30	-	10.0	-	-	-	-	-
108+97	RT	M3-3	36X18	4.5	-	-	-	18.6	-	-
		M1-12	36X36	9.0	-	-	-	-	-	-
		M6-2R	30X21	4.4	-	-	-	-	-	-
110+27	RT	M3-1	36X18	4.5	-	-	17.1	-	-	-
		M1-12	36X36	9.0	-	-				
		M6-2L	30X21	4.4	-	-				
		M3-2	36X18	4.5	-	-				
		M1-I100	36X36	9.0	-	-				
110+72	LT	R1-2	36X36	9.0	-	-	-	16.1	-	-
		R6-1R	36X12	3.0	-	-	-	-	-	-
110+94	RT	R1-2	36X36	9.0	-	-	13.8	-	-	-
111+28	LT	R6-4A	48X24	8.0	-	-	-	14.0	-	-
111+82	RT	M3-3	36X18	4.5	-	-	-	18.3	-	-
		M1-12	36X36	9.0	-	-				
		M6-2R	30X21	4.4	-	-				
114+15	RT	R3-8	30X30	6.3	-	-	13.3	-	-	-
116+94	LT	GUIDE	204X120	-	-	170.0	-	-	1053.0	2.1
118+17	RT	R5-1	36X36	9.0	-	-	-	15.1	-	-
		R3-1	36X36	9.0	-	-				
		**	2X60	0.8	-	-				

PERMANENT SIGNS SCHEDULE - EB IL 16				SIGN PANEL - TYPE 1	SIGN PANEL - TYPE 2	SIGN PANEL - TYPE 3	TELESCOPING STEEL SIGN SUPPORT	WOOD SIGN SUPPORT	STRUCTURAL STEEL SIGN SUPPORTS - BREAKAWAY	CONCRETE FOUNDATIONS
STATION	SIDE	CATALOG NO.	SIZE	SQ FT	SQ FT	SQ FT	FOOT	FOOT	POUND	CU YD
			INCHES							
118+18	LT	R5-1	36X36	9.0	-	-	-	15.0	-	-
		**	2X60	0.8	-	-				
118+50	RT	R5-1	36X36	9.0	-	-	-	15.0	-	-
		**	2X60	0.8	-	-				
118+60	RT	R6-1R	36X12	3.0	-	-	-	16.2	-	-
		R6-1L	36X12	3.0	-	-				
		R1-2	36X36	9.0	-	-				
118+64	LT	R6-4A	48X24	8.0	-	-	-	14.0	-	-
119+67	LT	M3-1	36X18	4.5	-	-	-	18.3	-	-
		M1-12	36X36	9.0	-	-				
		M6-2L	30X21	4.4	-	-				
		M3-2	36X18	4.5	-	-				
		M1-I100	36X36	9.0	-	-				
M6-2R	30X21	4.4	-	-						
121+55	RT	W9-1R	48X48	-	16.0	-	-	-	-	-
123+75	RT	W4-2R	48X48	-	16.0	-	-	-	-	-
132+15	RT	M3-2	36X18	4.5	-	-	-	18.0	-	-
		M1-I100	36X36	9.0	-	-				
135+15	RT	GUIDE	120X24	-	20.0	-	-	-	426.0	1.4
138+35	RT	R2-1	36X48	-	12.0	-	-	17.8	-	-
140+65	RT	D9-2	36X36	9.0	-	-	-	19.0	-	-
		D5-5B	36X12	3.0	-	-				
		M6-3	30X21	4.4	-	-				
142+85	RT	R5-1A	36X24	6.0	-	-	-	17.4	-	-
		**	2X60	0.8	-	-				
		W3-3	48X48	-	16.0	-				
143+78	RT	R5-1	36X36	9.0	-	-	-	15.0	-	-
		**	2X60	0.8	-	-				
EB IL 16 TOTALS:				258.5	156.0	407.5	44.3	332.5	1479.0	3.5

** SEE RED RETROREFLECTIVE SIGN SUPPORT DETAIL

MODEL: SCHEDULES OF QUANTITIES-45 (Sheet)
FILE NAME: c:\pdx_work\pdx\hrtz\hrtz\100852852\0774435-sheets-Schedules.dgn

USER NAME = kaleb.hirtzel	DESIGNED -	REVISED -
	DRAWN -	REVISED -
	CHECKED -	REVISED -
PLOT DATE = 8/19/2024	DATE -	REVISED -

**STATE OF ILLINOIS
DEPARTMENT OF TRANSPORTATION**

SCHEDULE OF QUANTITIES

SCALE: SHEET 47 OF 50 SHEETS STA. TO STA.

F.A.I. RTE.	SECTION	COUNTY	TOTAL SHEETS	SHEET NO.
57	(15-22HB-4)BR (15-22)R	COLES	1086	79
CONTRACT NO. 74435				
ILLINOIS FED. AID PROJECT				

PERMANENT SIGNS SCHEDULE - WB IL 16

STATION	SIDE	CATALOG NO.	SIZE		SIGN PANEL - TYPE 1	SIGN PANEL - TYPE 2	SIGN PANEL - TYPE 3	TELESCOPING STEEL SIGN SUPPORT	WOOD SIGN SUPPORT	STRUCTURAL STEEL SIGN SUPPORTS - BREAKAWAY	CONCRETE FOUNDATIONS
			INCHES								
WB IL 16											
94+60	LT	W3-3	48X48		-	16.0	-	-	17.1	-	-
94+60	RT	W3-3	48X48		-	16.0	-	-	17.5	-	-
96+10	LT	G4-I100	30X24	5.0	-	-	-	-	17.0	-	-
		M6-1R	21X15	2.2	-	-	-				
97+60	LT	M3-9	36X18	4.5	-	-	-	-	18.5	-	-
		M1-I100	36X36	9.0	-	-	-				
100+48	LT	R2-1	36X48	-	12.0	-	-	-	17.8	-	-
100+48	RT	R2-1	36X48	-	12.0	-	-	-	17.4	-	-
106+35	LT	W4-2R	48X48	-	16.0	-	-	-	16.4	-	-
108+10	LT	W9-1R	48X48	-	16.0	-	-	-	-	-	-
110+73	RT	M3-3	36X18	4.5	-	-	-	-	18.3	-	-
		M1-12	36X36	9.0	-	-	-				
		M6-2R	30X21	4.4	-	-	-				
		M3-9	36X18	4.5	-	-	-				
		M1-I100	36X36	9.0	-	-	-				
		M6-2L	30X21	4.4	-	-	-				
111+75	RT	R6-4A	48X24	8.0	-	-	-	-	14.0	-	-
111+80	LT	R6-1L	36X12	3.0	-	-	-	-	16.2	-	-
		R1-2	36X36	9.0	-	-	-				
		R6-1R	36X12	3.0	-	-	-				
111+89	LT	R5-1	36X36	9.0	-	-	-	-	15.2	-	-
		**	2X60	0.8	-	-	-				
112+21	RT	R5-1	36X36	9.0	-	-	-	-	15.0	-	-
		**	2X60	0.8	-	-	-				
112+22	LT	R5-1	36X36	9.0	-	-	-	-	15.1	-	-
		**	2X60	0.8	-	-	-				
		R3-1	36X36	9.0	-	-	-				

PERMANENT SIGNS SCHEDULE - WB IL 16

STATION	SIDE	CATALOG NO.	SIZE		SIGN PANEL - TYPE 1	SIGN PANEL - TYPE 2	SIGN PANEL - TYPE 3	TELESCOPING STEEL SIGN SUPPORT	WOOD SIGN SUPPORT	STRUCTURAL STEEL SIGN SUPPORTS - BREAKAWAY	CONCRETE FOUNDATIONS	
			INCHES									SQ FT
113+45	RT	GUIDE	180X120		-	-	150.0	-	-	-	1320.0	2.4
116+00	LT	R3-8	30X30		6.3	-	-	-	14.6	-	-	-
118+57	LT	M3-1	36X18	4.5	-	-	-	-	18.3	-	-	
		M1-12	36X36	9.0	-	-	-					
		M6-2R	30X21	4.4	-	-	-					
119+10	RT	R6-4A	48X24	8.0	-	-	-	-	14.0	-	-	
119+47	LT	R1-2	36X36	9.0	-	-	13.8	-	-	-	-	
119+68	RT	R1-2	36X36	9.0	-	-	-	-	17.1	-	-	
		R6-1R	36X12	3.0	-	-	-					
120+50	LT	M3-3	36X18	4.5	-	-	-	17.1	-	-	-	
		M1-12	36X36	9.0	-	-	-					
		M6-2L	30X21	4.4	-	-	-					
		M3-4	36X18	4.5	-	-	-					
		M1-I100	36X36	9.0	-	-	-					
122+20	LT	M3-1	36X18	4.5	-	-	-	18.9	-	-		
		M1-12	36X36	9.0	-	-	-					
		M6-2R	30X21	4.4	-	-	-					
123+40	LT	R3-8	48X30	-	10.0	-	-	-	15.6	-	-	
123+40	RT	R3-8	48X30	-	10.0	-	-	-	14.9	-	-	
124+60	LT	W2-6	48X48	-	16.0	-	-	-	17.4	-	-	
		W16-17P	24X12	2.0	-	-	-					
124+60	RT	W2-6	48X48	-	16.0	-	-	-	17.6	-	-	
		W16-17P	24X12	2.0	-	-	-					
125+75	OVERHEAD	R3-I100A	24X24	4.0	-	-	-	-	-	-	-	
		GUIDE	228X150	-	-	237.5	-	-				-
WB IL 16 TOTALS:					232.7	140.0	387.5	30.9	363.9	1320.0	2.4	

** SEE RED RETROREFLECTIVE SIGN SUPPORT DETAIL

USER NAME = kaleb.hirtzet	DESIGNED -	REVISED -
	DRAWN -	REVISED -
	CHECKED -	REVISED -
PLOT DATE = 8/19/2024	DATE -	REVISED -

STATE OF ILLINOIS
DEPARTMENT OF TRANSPORTATION

SCHEDULE OF QUANTITIES

SCALE: SHEET 48 OF 50 SHEETS STA. TO STA.

F.A.I. RTE.	SECTION	COUNTY	TOTAL SHEETS	SHEET NO.
57	(15-22HB-4)BR (15-22)R	COLES	1086	80
CONTRACT NO. 74435				
ILLINOIS FED. AID PROJECT				

TEMPORARY CONCRETE BARRIER SCHEDULE PRE-STAGE		TEMPORARY CONCRETE BARRIER	RELOCATE TEMPORARY CONCRETE BARRIER	IMPACT ATTENUATOR, TEMPORARY (FULLY REDIRECTIVE, NARROW) TEST LEVEL 3	IMPACT ATTENUATOR, RELOCATE (FULLY REDIRECTIVE, NARROW) TEST LEVEL 3
STATIONING					
FROM	TO	FOOT	FOOT	EACH	EACH
NB I-57					
786+10.0	787+22.0	112.5	112.5	1	1
787+22.0	789+85.0	262.5	262.5	-	-
PRE-STAGE TOTALS:		375.0	375.0	1	1

TEMPORARY CONCRETE BARRIER SCHEDULE STAGE 1		TEMPORARY CONCRETE BARRIER	MODULAR GLARE SCREEN SYSTEM, TEMPORARY	IMPACT ATTENUATOR, TEMPORARY (FULLY REDIRECTIVE, NARROW) TEST LEVEL 3
STATIONING				
FROM	TO	FOOT	FOOT	EACH
NB I-57				
745+01.4	750+25.0	525.0	525.0	-
750+25.0	841+64.4	9139.4	9139.4	-
841+64.4	813+19.4	-	-	-
813+19.4	841+71.5	2848.1	2848.1	-
841+71.5	846+83.8	512.5	512.5	-
NB I-57 TOTALS:		13025.0	13025.0	0
EB IL 16 (EX IL 16 STA.)				
112+60.9	115+60.9	300.0	-	1
112+92.9	115+92.9	300.0	-	1
EB IL 16 TOTALS:		600.0	0.0	2
WB IL 16 (EX IL 16 STA.)				
113+85.0	116+72.5	287.5	-	1
114+16.3	117+16.3	300.0	-	1
WB IL 16 TOTALS:		587.5	0.0	2
STAGE 1 TOTALS:		14212.5	13025.0	4

TEMPORARY CONCRETE BARRIER SCHEDULE STAGE 2		TEMPORARY CONCRETE BARRIER	MODULAR GLARE SCREEN SYSTEM, TEMPORARY
STATIONING			
FROM	TO	FOOT	FOOT
SB I-57			
744+00.0	750+00.0	600.0	600.0
750+00.0	841+64.4	9164.5	9164.5
841+64.4	813+19.4	-	-
813+19.4	841+68.0	2868.2	2868.2
841+68.0	845+71.0	404.8	404.8
STAGE 2 TOTALS:		13037.5	13037.5

TEMPORARY CONCRETE BARRIER SCHEDULE PRE-STAGE 3		TEMPORARY CONCRETE BARRIER	RELOCATE TEMPORARY CONCRETE BARRIER	PINNING TEMPORARY CONCRETE BARRIER	IMPACT ATTENUATOR, TEMPORARY (FULLY REDIRECTIVE, NARROW) TEST LEVEL 3	IMPACT ATTENUATOR, RELOCATE (FULLY REDIRECTIVE, NARROW) TEST LEVEL 3
STATIONING						
FROM	TO	FOOT	FOOT	EACH	EACH	EACH
WB IL 16 - PRE-STAGE 3B						
108+17.7	109+05.2	87.5	-	18	-	-
109+05.2	110+42.3	137.5	-	-	1	-
115+92.9	116+67.9	75	-	-	1	-
PRE-STAGE 3B TOTALS:		300.0	0.0	18	2	0
WB IL 16 - PRE-STAGE 3C						
108+17.7	109+05.2	-	87.5	18	-	-
109+05.2	110+42.2	-	137.5	-	-	1
PRE-STAGE 3C TOTALS:		0.0	225.0	18	0	1
EB IL 16 - PRE-STAGE 3D						
106+79.5	108+16.4	-	137.5	-	-	1
108+16.4	109+03.9	-	87.5	18	-	-
PRE-STAGE 3D TOTALS:		0.0	225.0	18	0	1
EB IL 16 - PRE-STAGE 3E						
106+79.3	108+16.4	-	137.5	-	-	1
108+16.4	109+03.9	-	87.5	18	-	-
PRE-STAGE 3E TOTALS:		0.0	225.0	18	0	1
PRE-STAGE 3 TOTALS:		300.0	675.0	72	2	3

TEMPORARY CONCRETE BARRIER SCHEDULE STAGE 3		TEMPORARY CONCRETE BARRIER	MODULAR GLARE SCREEN SYSTEM, TEMPORARY	RELOCATE TEMPORARY CONCRETE BARRIER	PINNING TEMPORARY CONCRETE BARRIER	IMPACT ATTENUATOR, TEMPORARY (FULLY REDIRECTIVE, NARROW) TEST LEVEL 3	IMPACT ATTENUATOR, RELOCATE (FULLY REDIRECTIVE, NARROW) TEST LEVEL 3
FROM	TO						
EB IL 16 - STAGE 3A							
97+43.7	102+50.2	505.5	505.5	-	-	-	-
102+50.2	129+75.1	2724.9	2724.9	-	-	-	-
129+75.1	135+44.8	569.6	569.6	-	-	-	-
115+92.9	116+67.9	75.0	-	-	-	1	-
EB IL 16 TOTALS:		3875.0	3800.0	0.0	0	1	0
EX RAMP F - STAGE 3A							
23+33.2	24+55.5	124.5	-	-	-	1	-
24+55.5	25+80.5	125.0	-	-	21	-	-
25+80.5	27+04.7	125.5	-	-	-	-	-
EX RAMP F TOTALS:		375.0	0.0	0.0	21	1	0
EX RAMP H - STAGE 3A							
780+99.4	784+59.6	362.5	-	-	-	1	-
EX RAMP H TOTALS:		362.5	0.0	0.0	0	1	0
STAGE 3A TOTALS:		4612.5	3800.0	0.0	21	3	0
WB IL 16 - STAGE 3B							
95+97.0	101+97.0	-	-	600.0	-	-	-
101+97.0	128+97.0	-	-	2700.0	-	-	-
128+97.0	134+14.0	-	-	525.0	-	-	-
WB 16 TOTALS:		0.0	0.0	3825.0	0	0	0
EX RAMP D - STAGE 3B							
36+62.3	38+49.3	-	-	187.5	-	-	1
38+49.3	40+97.7	-	-	250.0	-	-	-
EX RAMP D TOTALS:		0.0	0.0	437.5	0	0	1
STAGE 3B TOTALS:		0.0	0.0	4262.5	0	0	1
STAGE 3 TOTALS:		4612.5	3800.0	4262.5	21	3	1

MODEL: SCHEDULES OF QUANTITIES-A7 (Sheet)
FILE NAME: c:\pdx\work\pdx\hrtz\hrtz\hd052822\074435-sheets-schedules.dgn

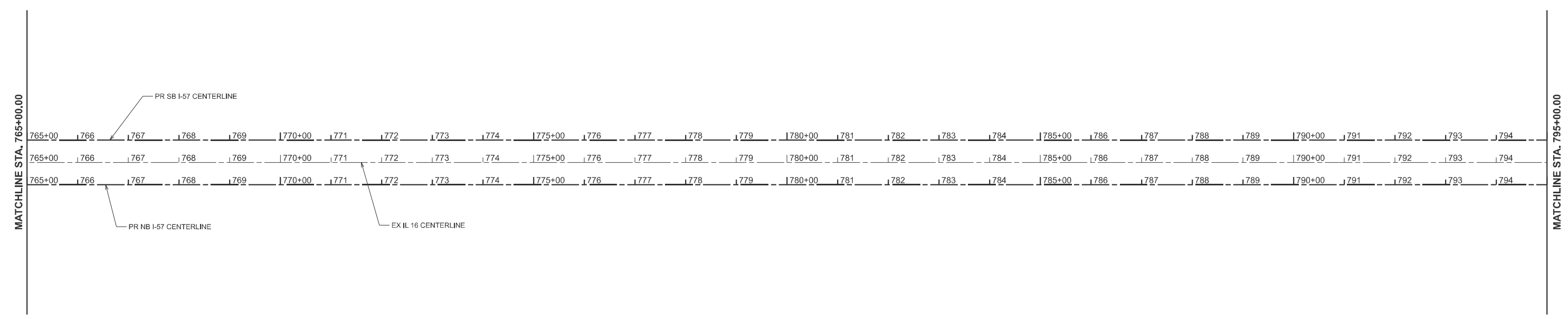
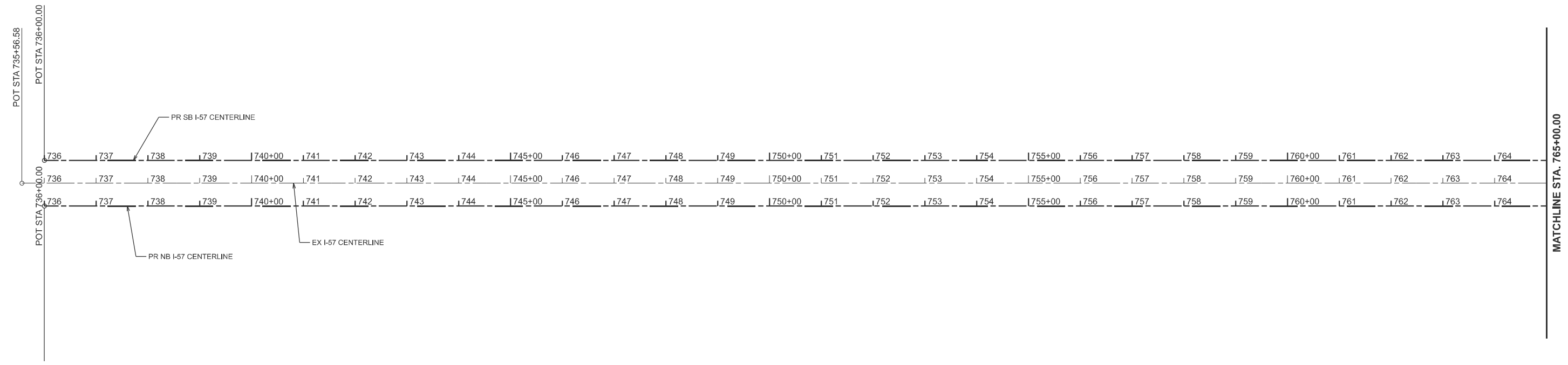
USER NAME = kaleb.hirtzel	DESIGNED -	REVISED -
	DRAWN -	REVISED -
	CHECKED -	REVISED -
PLOT DATE = 9/26/2025	DATE -	REVISED -

**STATE OF ILLINOIS
DEPARTMENT OF TRANSPORTATION**

SCHEDULE OF QUANTITIES

SCALE: SHEET 49 OF 50 SHEETS STA. TO STA.

F.A.I. RTE.	SECTION	COUNTY	TOTAL SHEETS	SHEET NO.
57	(15-22HB-4)BR (15-22)R	COLES	1086	81
CONTRACT NO. 74435				
ILLINOIS		FED. AID PROJECT		



MODEL: EX157CL1 - EX AND PR I-57 ALIGNMENTS (Sheet)
 FILE NAME: c:\p\work\pr\hrtz\hrtz\1082852\17435-sheets-alignments157.dgn

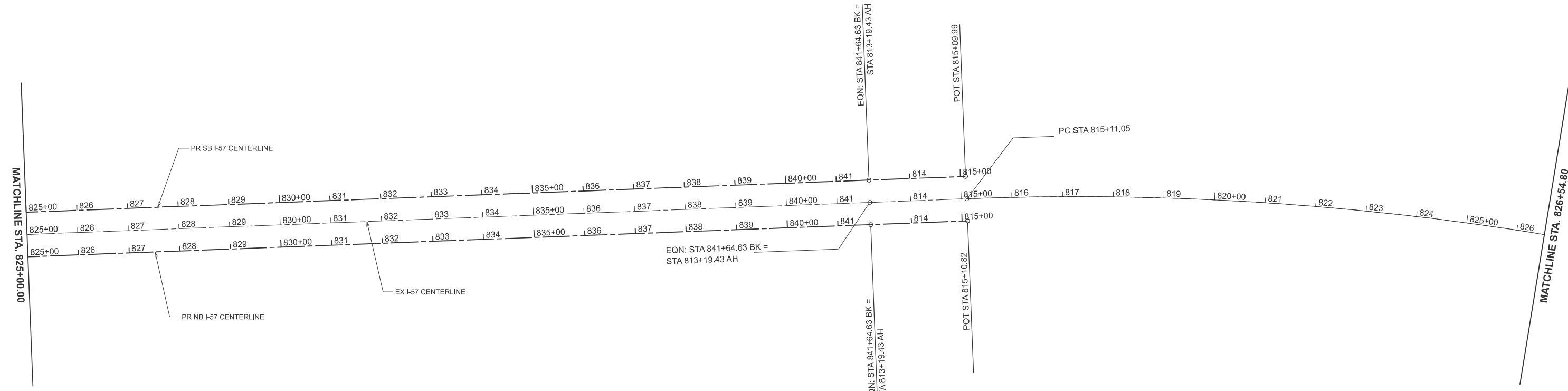
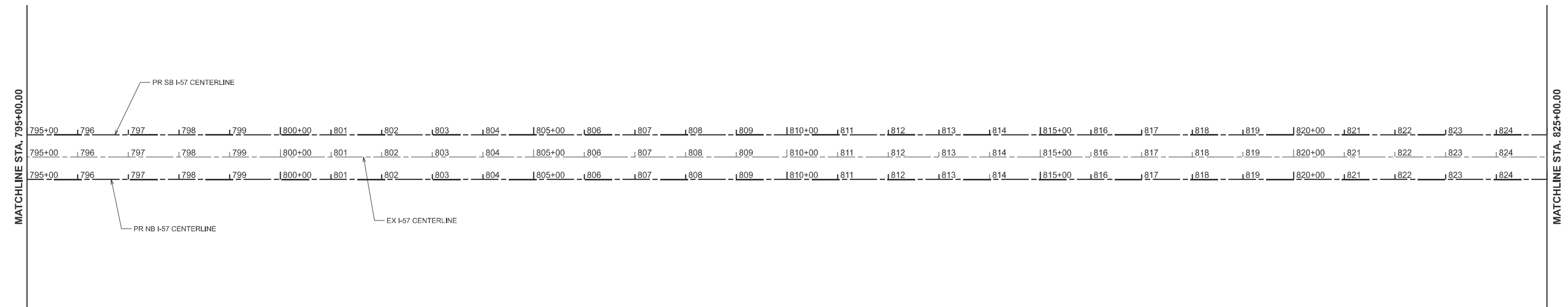
USER NAME = kaleb.hirtzel	DESIGNED -	REVISED -
	DRAWN -	REVISED -
PLOT SCALE = \$SCALE\$	CHECKED -	REVISED -
PLOT DATE = 8/26/2024	DATE -	REVISED -

**STATE OF ILLINOIS
DEPARTMENT OF TRANSPORTATION**

**ALIGNMENTS
EX. & PR. I-57**

SCALE: 1"=100' SHEET 1 OF 16 SHEETS STA. 735+00.00 TO STA. 795+00.00

F.A.I RTE.	SECTION	COUNTY	TOTAL SHEETS	SHEET NO.
57	(15-22HB-4)BR (15-22)R	COLES	1086	83
CONTRACT NO. 74435				
ILLINOIS FED. AID PROJECT				



MODEL: E:\M7CL1 - EX AND PR I-57 ALIGNMENTS-2 (Sheet)
 FILE NAME: c:\pwworking\hartzel\10682852\DWG\435-sheets-alignments-157.dgn

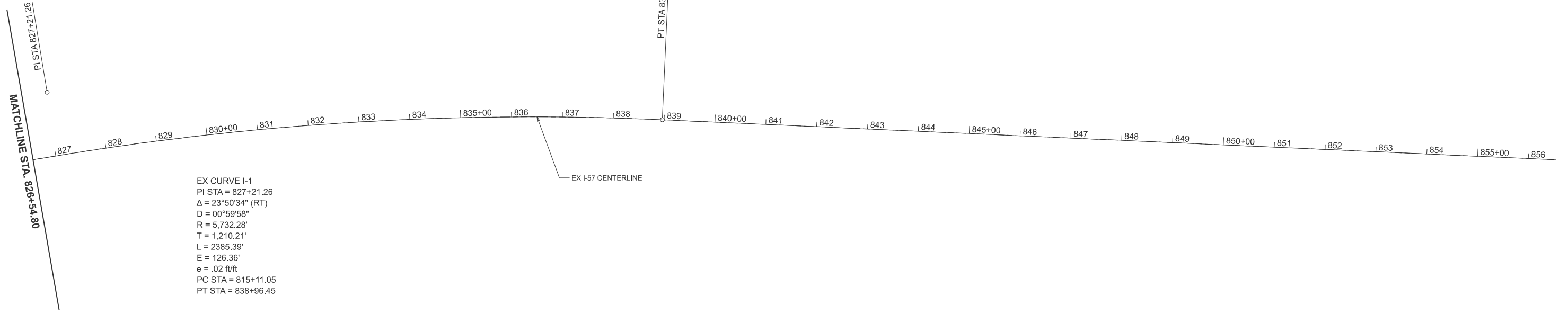
USER NAME = kaleb.hirtzel	DESIGNED -	REVISED -
	DRAWN -	REVISED -
PLOT SCALE = \$SCALE\$	CHECKED -	REVISED -
PLOT DATE = 8/26/2024	DATE -	REVISED -

STATE OF ILLINOIS
DEPARTMENT OF TRANSPORTATION

ALIGNMENTS
EX. & PR. I-57

SCALE: 1"=100' SHEET 2 OF 16 SHEETS STA. 795+00.00 TO STA. 826+54.80

F.A.I. RTE.	SECTION	COUNTY	TOTAL SHEETS	SHEET NO.
57	(15-22HB-4)BR (15-22)R	COLES	1086	84
CONTRACT NO. 74435				
ILLINOIS FED. AID PROJECT				



EX CURVE I-1
 PI STA = 827+21.26
 $\Delta = 23^{\circ}50'34''$ (RT)
 D = 00°59'58"
 R = 5,732.28'
 T = 1,210.21'
 L = 2385.39'
 E = 126.36'
 e = .02 ft/ft
 PC STA = 815+11.05
 PT STA = 838+96.45

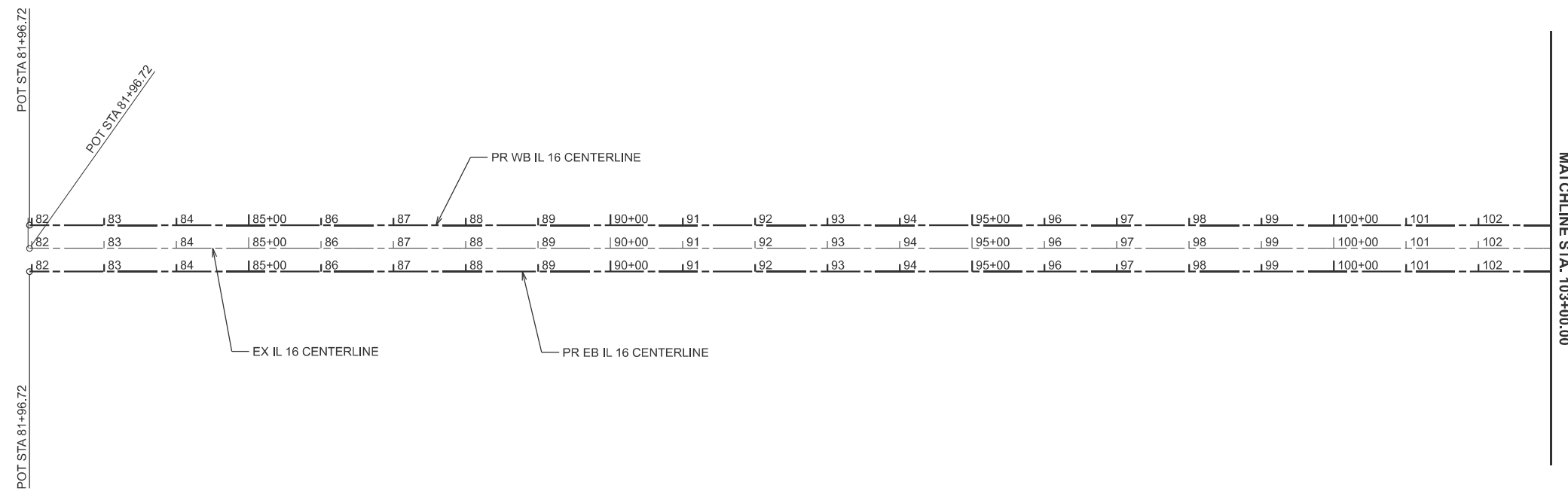
MODEL: EX157CL1 - EX AND PR I-57 ALIGNMENTS-4 [Sheet]
 FILE NAME: c:\p\work\pr\hrtz\hrtz\10682852\074435-sheets-alignments\57.dgn

USER NAME = kaleb.hirtzel	DESIGNED -	REVISED -
	DRAWN -	REVISED -
PLOT SCALE = \$SCALE\$	CHECKED -	REVISED -
PLOT DATE = 8/26/2024	DATE -	REVISED -

**STATE OF ILLINOIS
 DEPARTMENT OF TRANSPORTATION**

ALIGNMENTS EX. & PR. I-57	
SCALE: 1"=100'	SHEET 3 OF 16 SHEETS
STA. 826+54.80	TO STA. 856+54.80

F.A.I RTE.	SECTION	COUNTY	TOTAL SHEETS	SHEET NO.
57	(15-22HB-4)BR (15-22)R	COLES	1086	85
CONTRACT NO. 74435				
ILLINOIS FED. AID PROJECT				



MODEL: IL 16 Alignments - IL 16 Alignments (Sheet)
 FILE NAME: c:\p\work\wrt\hrtz\hrtz\100852852\074435-sheets-alignments-IL 16.dgn

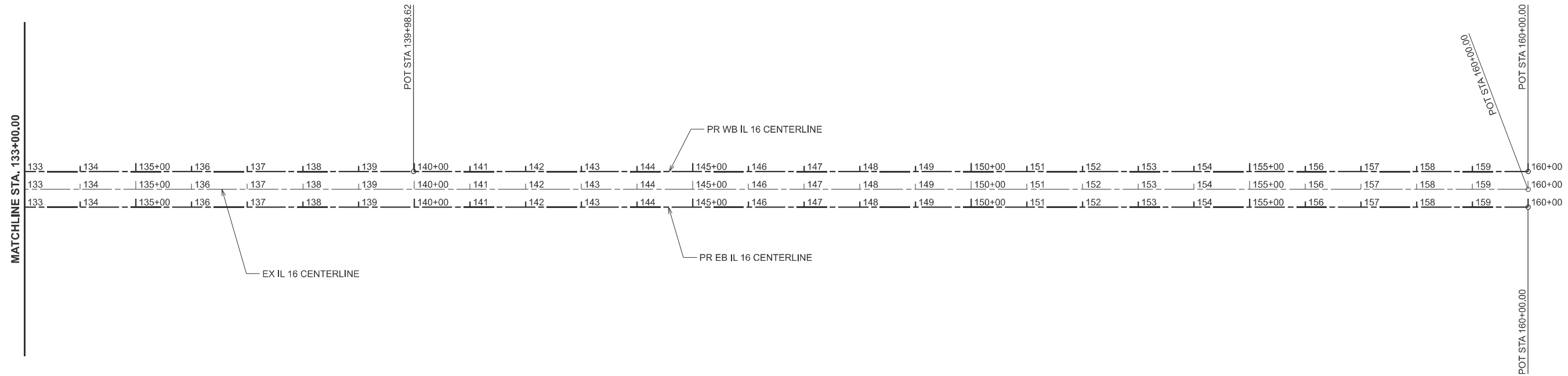
USER NAME = kaleb.hirtzel	DESIGNED -	REVISED -
	DRAWN -	REVISED -
PLOT SCALE = \$SCALE\$	CHECKED -	REVISED -
PLOT DATE = 8/19/2024	DATE -	REVISED -

**STATE OF ILLINOIS
 DEPARTMENT OF TRANSPORTATION**

**ALIGNMENTS
 EX & PR IL 16**

SCALE: 1"=100' SHEET 4 OF 16 SHEETS STA. 73+00.00 TO STA. 103+00.00

F.A.I RTE.	SECTION	COUNTY	TOTAL SHEETS	SHEET NO.
57	(15-22HB-4)BR (15-22)R	COLES	1086	86
CONTRACT NO. 74435				
ILLINOIS		FED. AID PROJECT		



MODEL: IL 16 Alignments - IL 16 Alignments-2 (Sheet)
 FILE NAME: c:\p\work\wrt\hrtz\hrtz\10085282\074435-sheets-alignments-IL 16.dgn

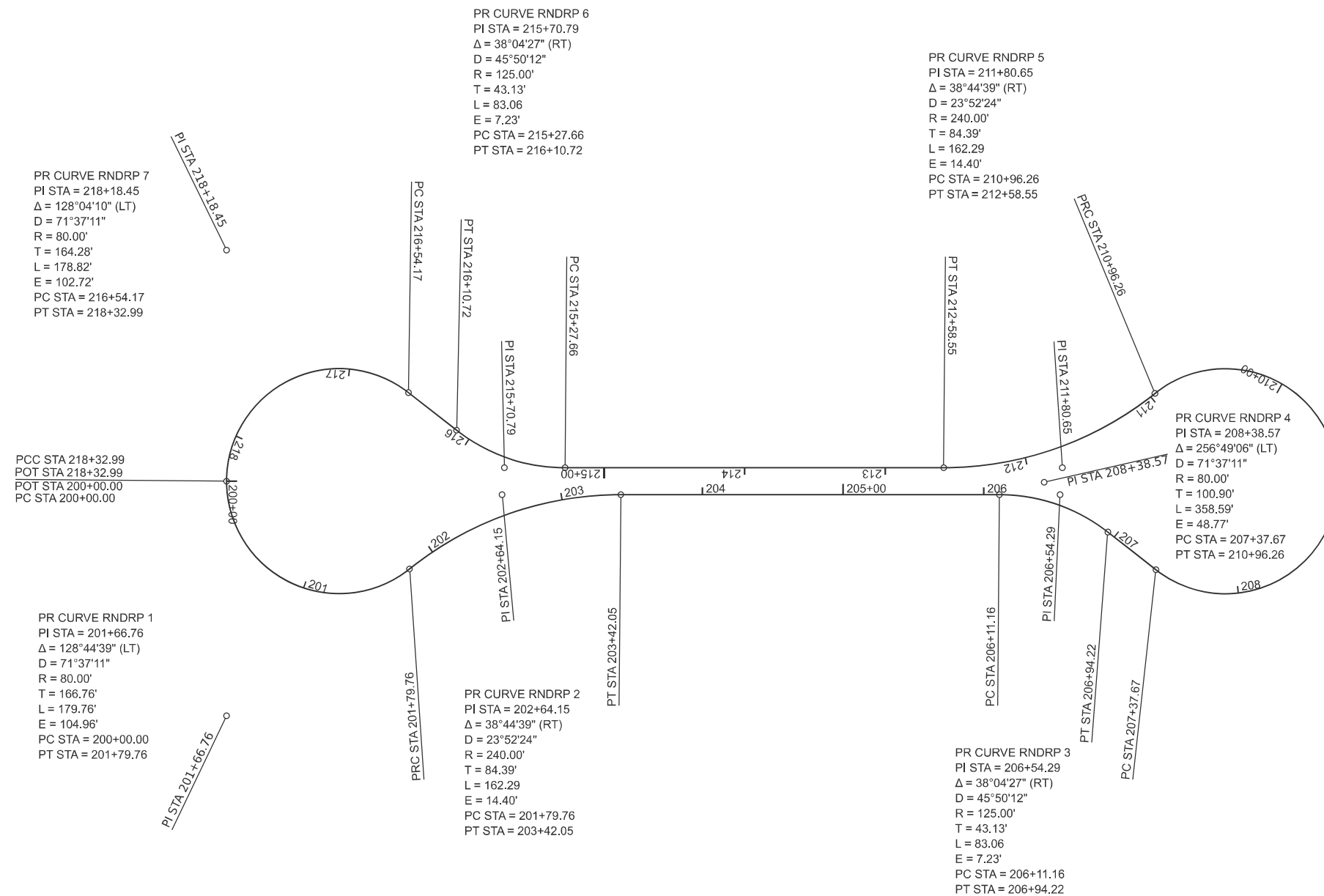
USER NAME = kaleb.hirtzel	DESIGNED -	REVISED -
	DRAWN -	REVISED -
PLOT SCALE = \$SCALE\$	CHECKED -	REVISED -
PLOT DATE = 8/19/2024	DATE -	REVISED -

**STATE OF ILLINOIS
 DEPARTMENT OF TRANSPORTATION**

**ALIGNMENTS
 EX & PR IL 16**

SCALE: 1"=100' SHEET 6 OF 16 SHEETS STA. 133+00.00 TO STA. 163+00.00

F.A.I RTE.	SECTION	COUNTY	TOTAL SHEETS	SHEET NO.
57	(15-22HB-4)BR (15-22)R	COLES	1086	88
CONTRACT NO. 74435				
ILLINOIS FED. AID PROJECT				



MODEL: Raindrop Alignment - Raindrop Alignment (Sheet)
 FILE NAME: c:\p\work\hartzel\hartzel\0852852\074435-sheets-alignments-raindrop.dgn

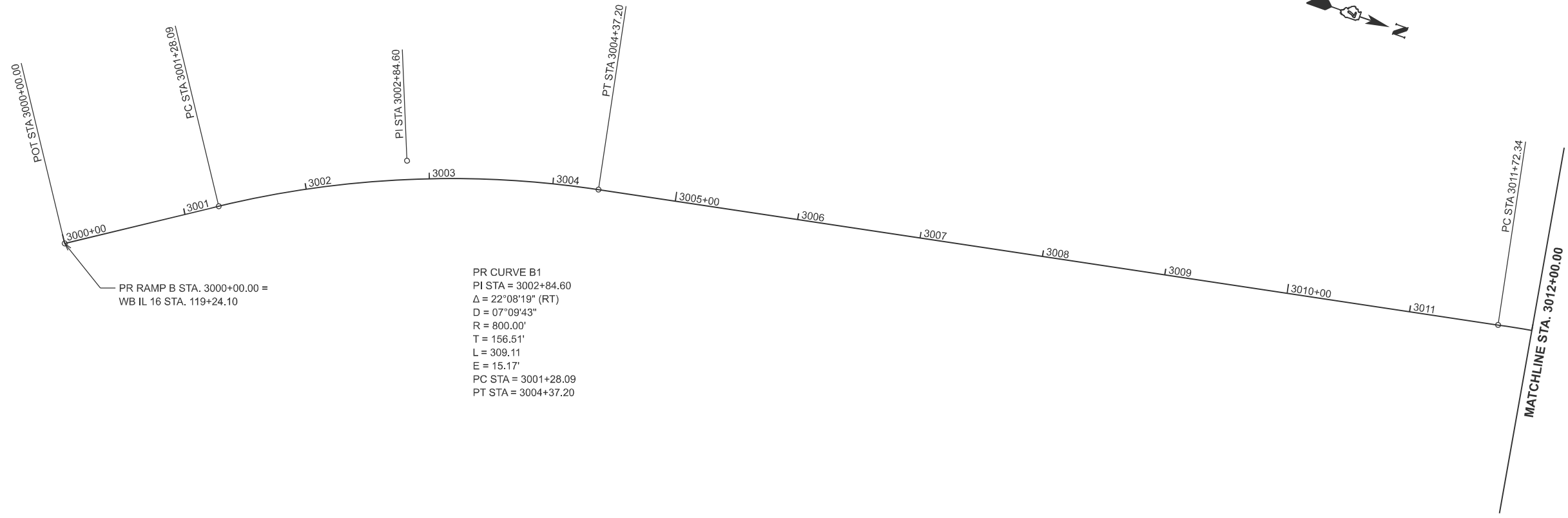
USER NAME = kaleb.hirtzel	DESIGNED -	REVISED -
	DRAWN -	REVISED -
PLOT SCALE = \$SCALE\$	CHECKED -	REVISED -
PLOT DATE = 4/24/2024	DATE -	REVISED -

**STATE OF ILLINOIS
 DEPARTMENT OF TRANSPORTATION**

**ALIGNMENTS
 PR RAINDROP**

SCALE: 1"=50' SHEET 7 OF 16 SHEETS STA. 200+00 TO STA. 218+32.99

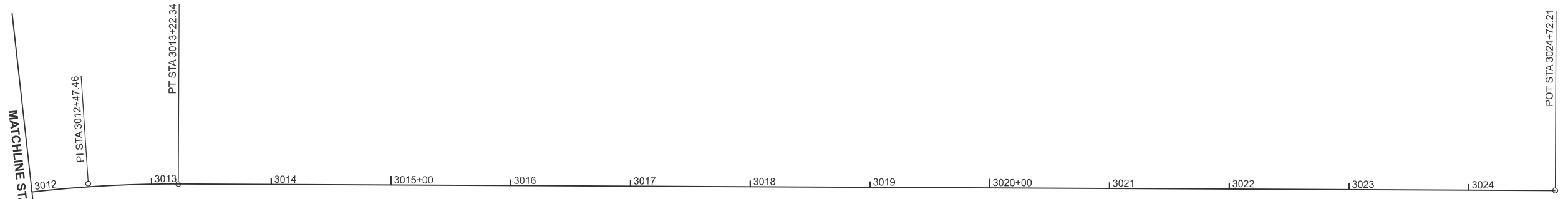
F.A.I. RTE.	SECTION	COUNTY	TOTAL SHEETS	SHEET NO.
57	(15-22HB-4)BR (15-22)R	COLES	1086	89
CONTRACT NO. 74435				
ILLINOIS FED. AID PROJECT				



PR RAMP B STA. 3000+00.00 =
WB IL 16 STA. 119+24.10

PR CURVE B1
 PI STA = 3002+84.60
 $\Delta = 22^{\circ}08'19''$ (RT)
 $D = 07^{\circ}09'43''$
 $R = 800.00'$
 $T = 156.51'$
 $L = 309.11'$
 $E = 15.17'$
 PC STA = 3001+28.09
 PT STA = 3004+37.20

MATCHLINE STA. 3012+00.00



PR CURVE B2
 PI STA = 3012+47.46
 $\Delta = 08^{\circ}06'28''$ (RT)
 $D = 05^{\circ}24'19''$
 $R = 1,060.00'$
 $T = 75.13'$
 $L = 150.00'$
 $E = 2.66'$
 $e = 6.0\%$
 $TR = 0'$
 SE RUN1 = 204' (STA. 3009+76 TO STA. 3011+80)
 SE RUN2 = SEE ENTRANCE RAMP TERMINAL HIGHWAY STANDARD 406001
 PC STA = 3011+72.34
 PT STA = 3013+22.34

MODEL: RAMPB-NBONS - RampB1 (Sheet)
 FILE NAME: c:\p\work\wv\01\hrtz\kld0852852\074435-sheets-Alignments-PrRampB.dgn

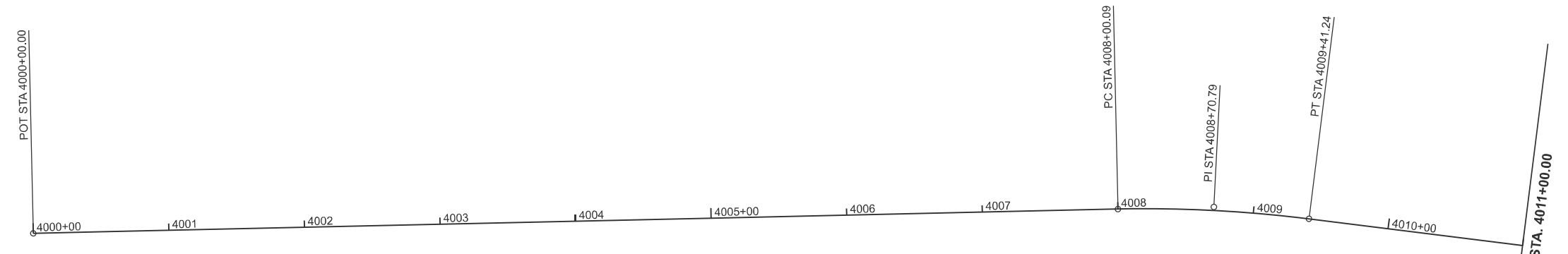
USER NAME = kaleb.hirtzel	DESIGNED -	REVISED -
PLOT SCALE = \$SCALE\$	DRAWN -	REVISED -
PLOT DATE = 8/17/2024	CHECKED -	REVISED -
	DATE -	REVISED -

**STATE OF ILLINOIS
DEPARTMENT OF TRANSPORTATION**

**ALIGNMENTS
PR RAMP B**

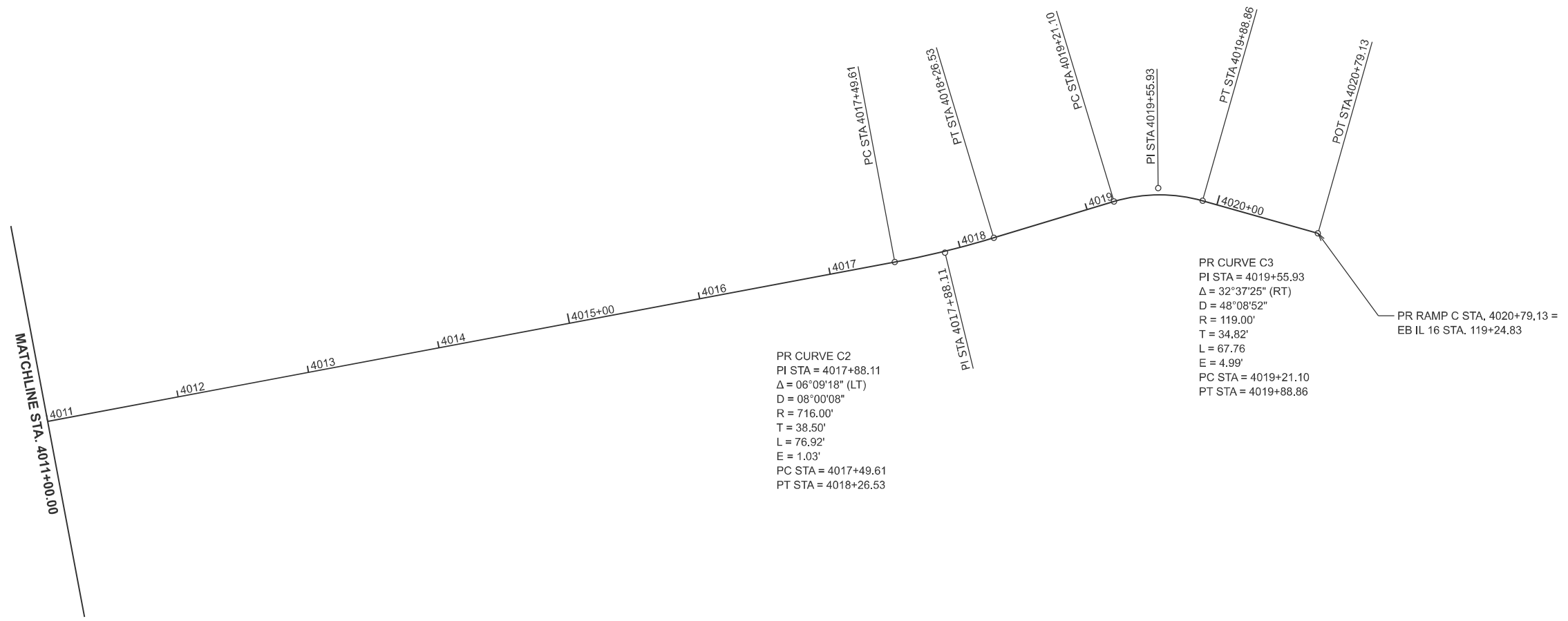
SCALE: 1"=50' SHEET 9 OF 16 SHEETS STA. 3000+00 TO STA. 3024+72.21

F.A.I RTE.	SECTION	COUNTY	TOTAL SHEETS	SHEET NO.
57	(15-22HB-4)BR (15-22)R	COLES	1086	91
CONTRACT NO. 74435				
ILLINOIS FED. AID PROJECT				



PR CURVE C1
 PI STA = 4008+70.79
 $\Delta = 08^{\circ}25'28''$ (RT)
 $D = 05^{\circ}58'06''$
 $R = 960.00'$
 $T = 70.70'$
 $L = 141.15$
 $E = 2.60'$
 $e = 8.0\%$
 $TR = 0'$
 SE RUN1 = 222' (STA. 4006+41.5 TO STA. 4008+63.50)
 SE RUN2 = 272' (STA. 4008+78 TO STA. 4011+50)
 PC STA = 4008+00.09
 PT STA = 4009+41.24

MATCHLINE STA. 4011+00.00



PR CURVE C2
 PI STA = 4017+88.11
 $\Delta = 06^{\circ}09'18''$ (LT)
 $D = 08^{\circ}00'08''$
 $R = 716.00'$
 $T = 38.50'$
 $L = 76.92'$
 $E = 1.03'$
 PC STA = 4017+49.61
 PT STA = 4018+26.53

PR CURVE C3
 PI STA = 4019+55.93
 $\Delta = 32^{\circ}37'25''$ (RT)
 $D = 48^{\circ}08'52''$
 $R = 119.00'$
 $T = 34.82'$
 $L = 67.76$
 $E = 4.99'$
 PC STA = 4019+21.10
 PT STA = 4019+88.86

PR RAMP C STA. 4020+79.13 =
 EB IL 16 STA. 119+24.83

MATCHLINE STA. 4011+00.00

MODEL: RAMPC-NBOFF - Ramp C (Sheet)
 FILE NAME: c:\p\work\wrt\hrtz\hrtz\100852852\074435-sheets-Alignments-PrRampC.dgn

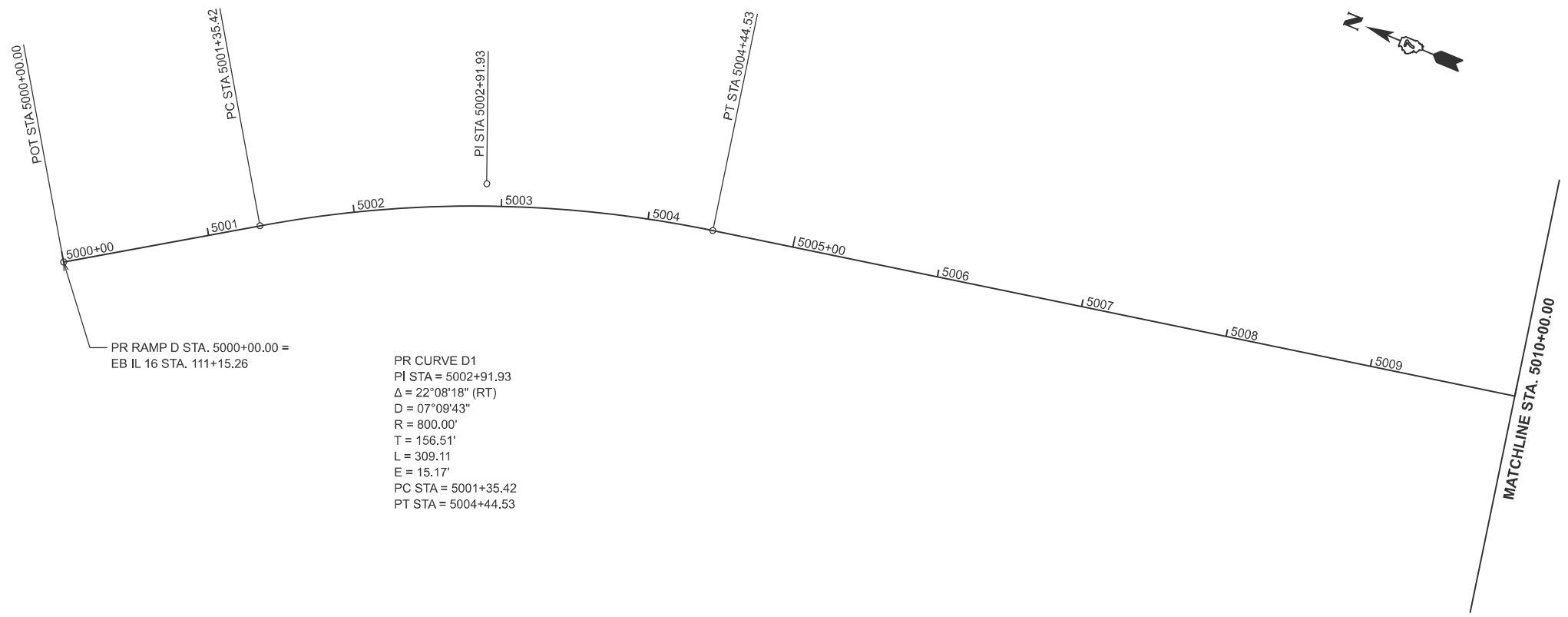
USER NAME = kaleb.hirtzel	DESIGNED -	REVISED -
	DRAWN -	REVISED -
PLOT SCALE = \$SCALE\$	CHECKED -	REVISED -
PLOT DATE = 8/17/2024	DATE -	REVISED -

**STATE OF ILLINOIS
 DEPARTMENT OF TRANSPORTATION**

**ALIGNMENTS
 PR RAMP C**

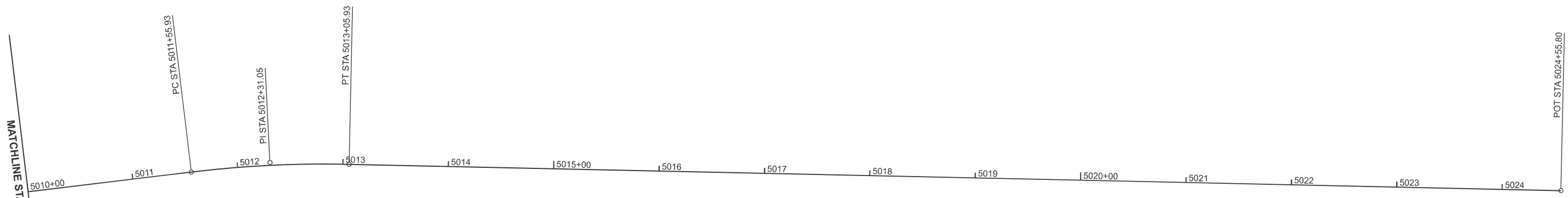
SCALE: 1"=50' SHEET 10 OF 16 SHEETS STA. 4000+00 TO STA. 4020+79.13

F.A.I RTE.	SECTION	COUNTY	TOTAL SHEETS	SHEET NO.
57	(15-22HB-4)BR (15-22)R	COLES	1086	92
CONTRACT NO. 74435				
ILLINOIS FED. AID PROJECT				



PR CURVE D1
 PI STA = 5002+91.93
 $\Delta = 22^{\circ}08'18''$ (RT)
 $D = 07^{\circ}09'43''$
 $R = 800.00'$
 $T = 156.51'$
 $L = 309.11'$
 $E = 15.17'$
 PC STA = 5001+35.42
 PT STA = 5004+44.53

PR RAMP D STA. 5000+00.00 =
 EB IL 16 STA. 111+15.26



PR CURVE D2
 PI STA = 5012+31.05
 $\Delta = 08^{\circ}06'28''$ (RT)
 $D = 05^{\circ}24'19''$
 $R = 1,060.00'$
 $T = 75.13'$
 $L = 150.00'$
 $E = 2.66'$
 $e = 6.0\%$
 $TR = 0'$
 SE RUN1 = 203.93' (STA. 5009+72 TO STA. 5011+75.93)
 SE RUN2 = SEE ENTRANCE RAMP TERMINAL HIGHWAY STANDARD 406001
 PC STA = 5011+55.93
 PT STA = 5013+05.93

MODEL: RAMPD_SBR018 - Ramp D (Sheet)
 FILE NAME: c:\p\work\wv\01\hrtz\110852852\074435-sheets-Alignments-PrRampD.dgn

USER NAME = kaleb.hirtzel	DESIGNED -	REVISED -
	DRAWN -	REVISED -
PLOT SCALE = \$SCALE\$	CHECKED -	REVISED -
PLOT DATE = 8/17/2024	DATE -	REVISED -

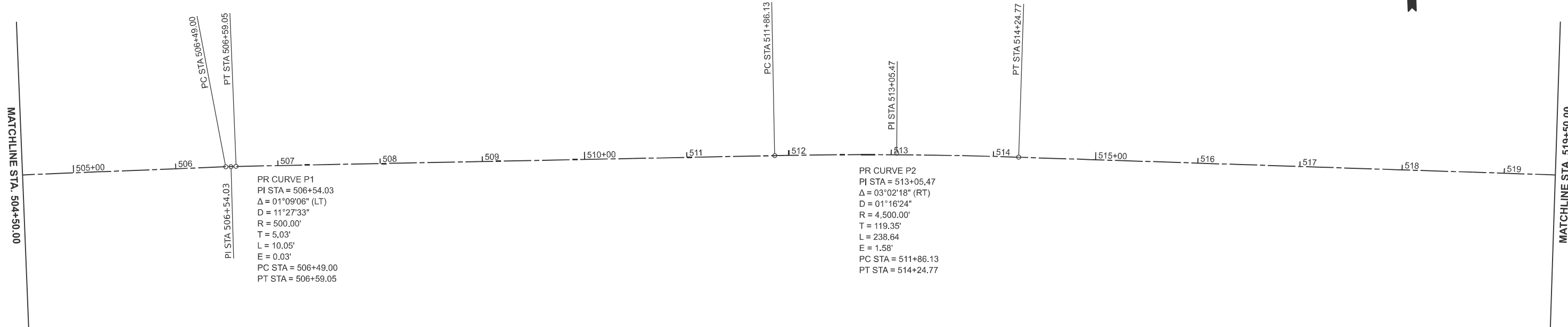
**STATE OF ILLINOIS
 DEPARTMENT OF TRANSPORTATION**

**ALIGNMENTS
 PR RAMP D**

SCALE: 1"=50' SHEET 11 OF 16 SHEETS STA. 5000+00 TO STA. 5024+55.80

F.A.I RTE.	SECTION	COUNTY	TOTAL SHEETS	SHEET NO.
57	(15-22HB-4)BR (15-22)R	COLES	1086	93
CONTRACT NO. 74435				
ILLINOIS FED. AID PROJECT				

MODEL: PR_BikePath - SharedUse Path (Sheet)
 FILE NAME: C:\p\work\pr\hrtz\hrtz\100852852\074435-sheets-Alignments-SharedUsePath.dgn



USER NAME = kaleb.hirtzel	DESIGNED -	REVISED -
	DRAWN -	REVISED -
PLOT SCALE = \$SCALE\$	CHECKED -	REVISED -
PLOT DATE = 4/24/2024	DATE -	REVISED -

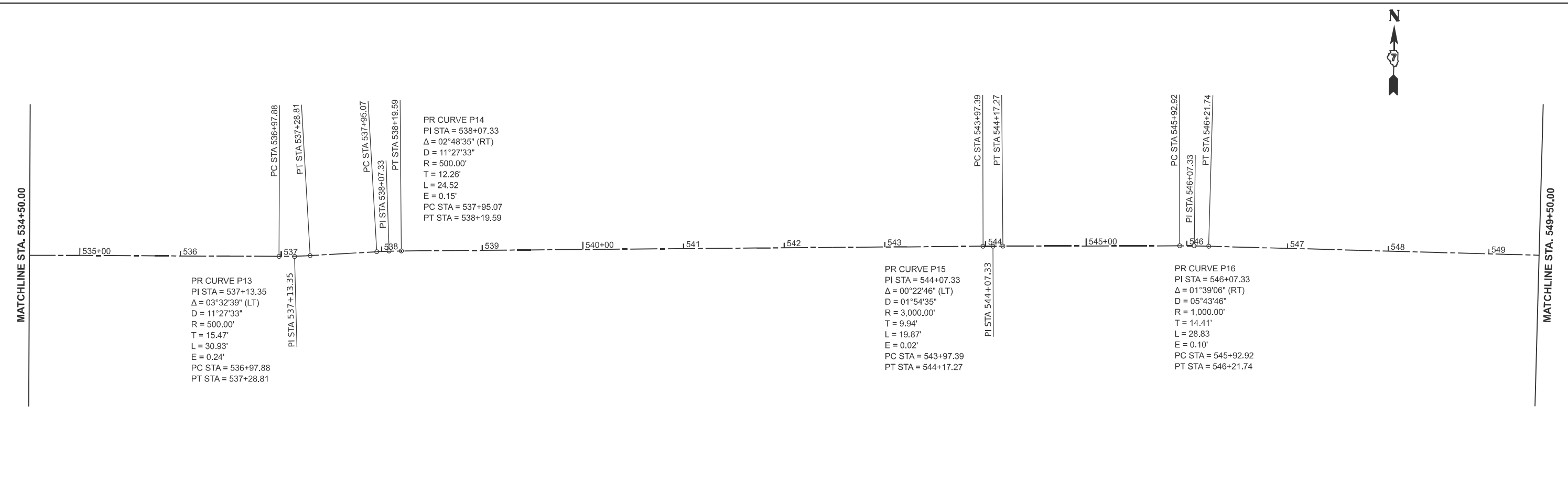
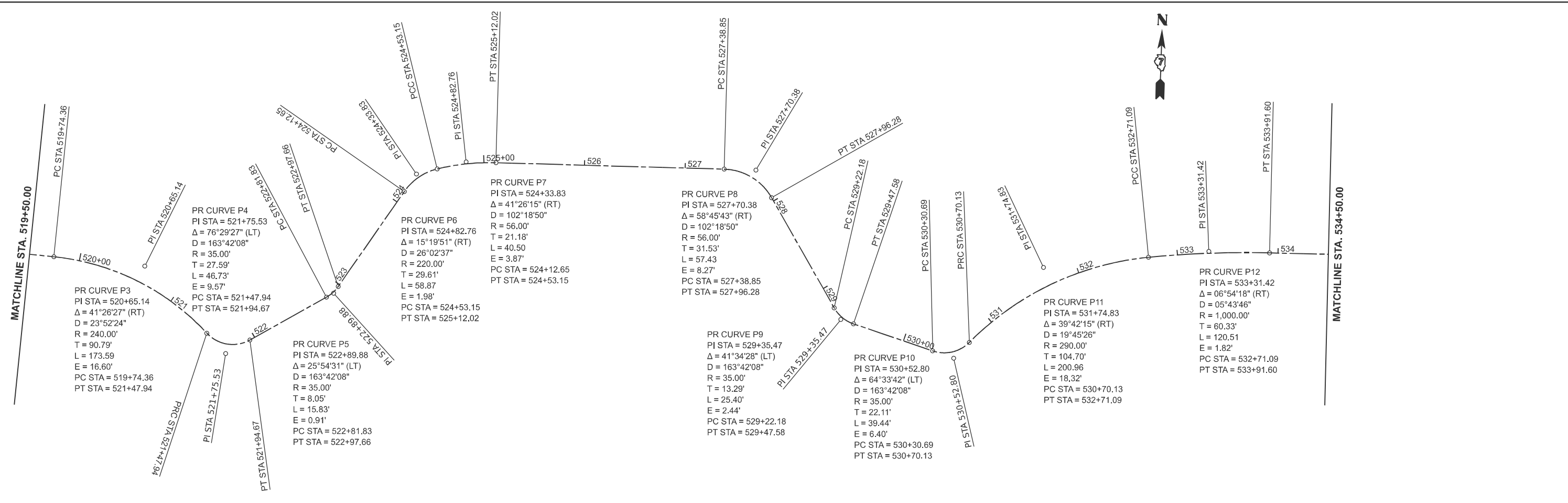
**STATE OF ILLINOIS
 DEPARTMENT OF TRANSPORTATION**

**ALIGNMENTS
 PR SHARED-USE PATH**

SCALE: 1"=50' SHEET 12 OF 16 SHEETS STA. 500+00 TO STA. 519+50.00

F.A.I. RTE.	SECTION	COUNTY	TOTAL SHEETS	SHEET NO.
57	(15-22HB-4)BR (15-22)R	COLES	1086	94
CONTRACT NO. 74435				
ILLINOIS FED. AID PROJECT				

MODEL: PR_BikePath - Shared-Use Path-2 [Sheet]
 FILE NAME: C:\p\work\pww\hrtz\hrtz\10058282\074435-sheets-Alignments-Shared-UsePath.dgn

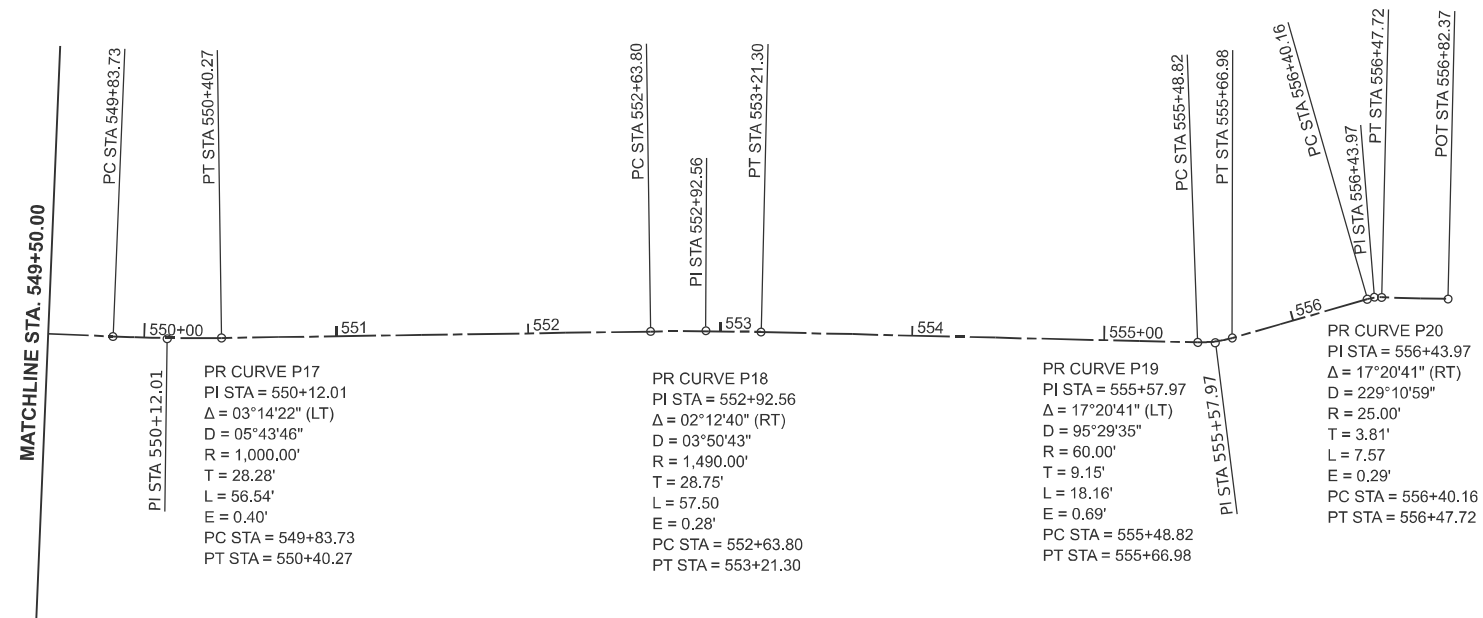


USER NAME = kaleb.hirtzel	DESIGNED -	REVISED -
DRAWN -	REVISED -	
PLOT SCALE = \$SCALE\$	CHECKED -	REVISED -
PLOT DATE = 8/19/2024	DATE -	REVISED -

**STATE OF ILLINOIS
 DEPARTMENT OF TRANSPORTATION**

ALIGNMENTS			
PR SHARED-USE PATH			
SCALE: 1"=50'	SHEET 13	OF 16 SHEETS	STA. 519+50.00 TO STA. 549+50.00

F.A.I. RTE.	SECTION	COUNTY	TOTAL SHEETS	SHEET NO.
57	(15-22HB-4)BR (15-22)R	COLES	1086	95
CONTRACT NO. 74435				
ILLINOIS FED. AID PROJECT				



MODEL: PR_BikePath - SharedUse Path-4 [Sheet]
FILE NAME: C:\p\work\wv\hrtz\hrtz\100852852\074435-sheets-Alignments-SharedUsePath.dgn

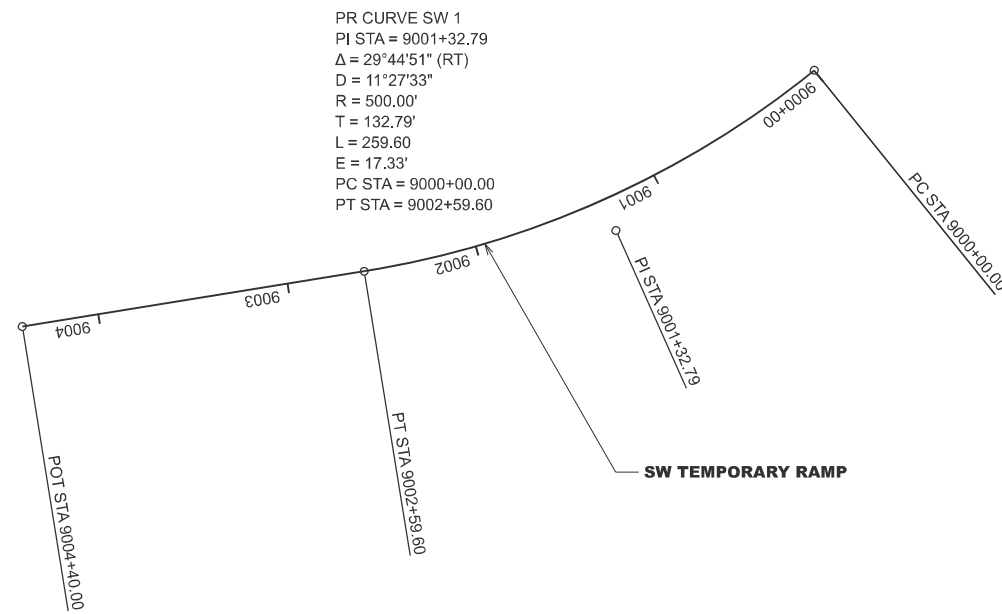
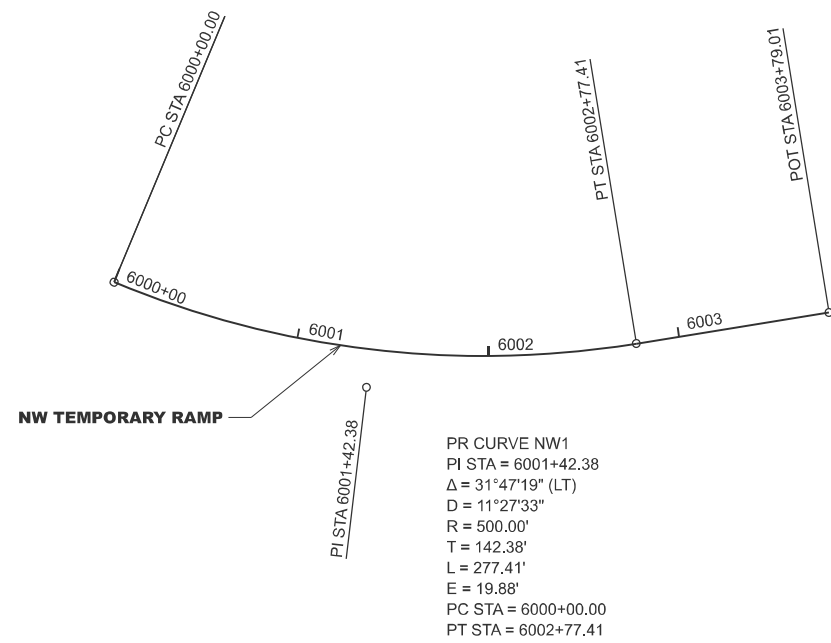
USER NAME = kaleb.hirtzel	DESIGNED -	REVISED -
	DRAWN -	REVISED -
PLOT SCALE = \$SCALE\$	CHECKED -	REVISED -
PLOT DATE = 8/19/2024	DATE -	REVISED -

**STATE OF ILLINOIS
DEPARTMENT OF TRANSPORTATION**

**ALIGNMENTS
PR SHARED-USE PATH**

SCALE: 1"=50' SHEET 14 OF 16 SHEETS STA. 549+50.00 TO STA. 556+82.37

F.A.I RTE.	SECTION	COUNTY	TOTAL SHEETS	SHEET NO.
57	(15-22HB-4)BR (15-22)R	COLES	1086	96
CONTRACT NO. 74435				
ILLINOIS FED. AID PROJECT				



MODEL: NW SW Temp Ramp - NW SW Temp Ramp (Sheet)
 FILE NAME: c:\p\work\kvw\hrtz\kld\085252\174435-sheets-alignments-TempRamps.dgn

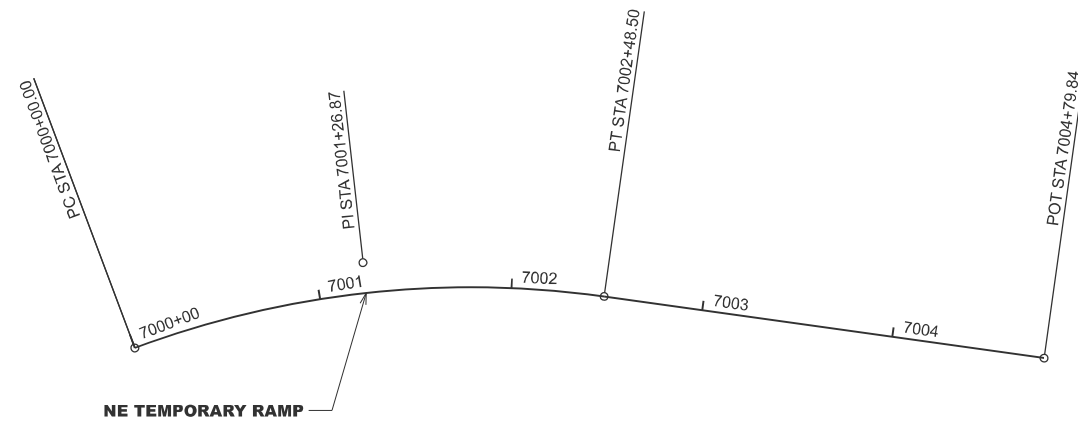
USER NAME = kaleb.hirtzel	DESIGNED -	REVISED -
	DRAWN -	REVISED -
PLOT SCALE = \$SCALE\$	CHECKED -	REVISED -
PLOT DATE = 8/19/2024	DATE -	REVISED -

**STATE OF ILLINOIS
 DEPARTMENT OF TRANSPORTATION**

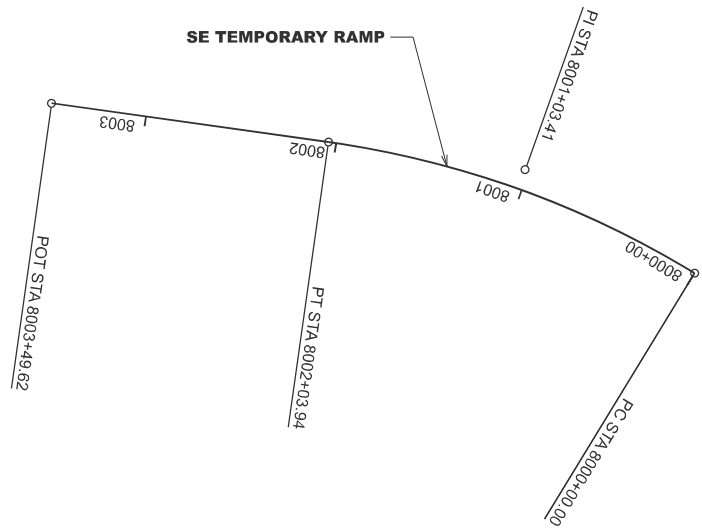
**ALIGNMENTS
 TEMPORARY RAMPS**

SCALE: 1"=50' SHEET 15 OF 16 SHEETS STA. 5997+00.00 TO STA. 6012+00.00

F.A.I RTE.	SECTION	COUNTY	TOTAL SHEETS	SHEET NO.
57	(15-22HB-4)BR (15-22)R	COLES	1086	97
CONTRACT NO. 74435				
ILLINOIS FED. AID PROJECT				



PR CURVE NE1
 PI STA = 7001+26.87
 $\Delta = 28^{\circ}28'32''$ (RT)
 $D = 11^{\circ}27'33''$
 $R = 500.00'$
 $T = 126.87'$
 $L = 248.50'$
 $E = 15.85'$
 PC STA = 7000+00.00
 PT STA = 7002+48.50



PR CURVE SE1
 PI STA = 8001+03.41
 $\Delta = 23^{\circ}22'11''$ (LT)
 $D = 11^{\circ}27'33''$
 $R = 500.00'$
 $T = 103.41'$
 $L = 203.94'$
 $E = 10.58'$
 PC STA = 8000+00.00
 PT STA = 8002+03.94

MODEL: NW SW Temp Ramp - NE SE Temp Ramps (Sheet)
 FILE NAME: c:\p\work\wv\hrtz\hrtz\1085252\174435-sheets-alignments-TempRamps.dgn

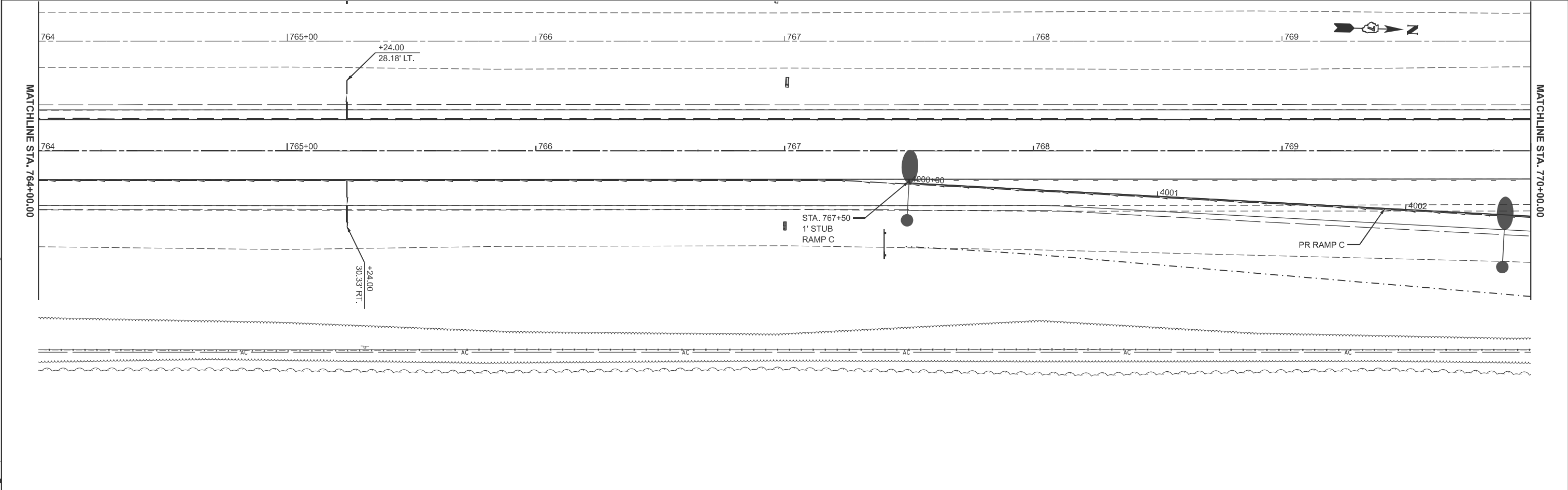
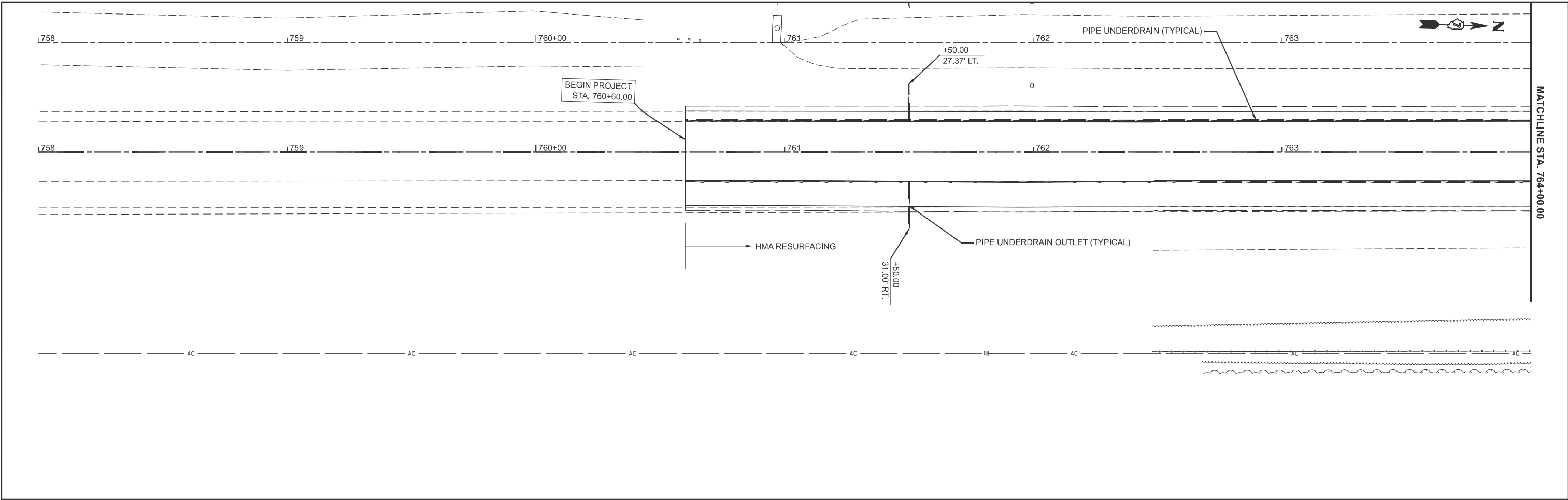
USER NAME = kaleb.hirtzel	DESIGNED -	REVISED -
	DRAWN -	REVISED -
PLOT SCALE = \$SCALE\$	CHECKED -	REVISED -
PLOT DATE = 4/24/2024	DATE -	REVISED -

**STATE OF ILLINOIS
 DEPARTMENT OF TRANSPORTATION**

**ALIGNMENTS
 TEMPORARY RAMPS**

SCALE: 1"=50' SHEET 16 OF 16 SHEETS STA. 6997+00.00 TO STA. 7012+00.00

F.A.I RTE.	SECTION	COUNTY	TOTAL SHEETS	SHEET NO.
57	(15-22HB-4)BR (15-22)R	COLES	1086	98
ILLINOIS FED. AID PROJECT			CONTRACT NO. 74435	



MODEL: P:\NB65 - NB 57 Plan Only (Sheet)
 FILE NAME: c:\p\work\wrt\hrtz\k\0852852\0774435-sheets-Plan&Profile-NB 157.dgn

USER NAME = kaleb.hirtzel	DESIGNED -	REVISED -
	DRAWN -	REVISED -
PLOT SCALE = \$SCALE\$	CHECKED -	REVISED -
PLOT DATE = 8/19/2024	DATE -	REVISED -

STATE OF ILLINOIS
DEPARTMENT OF TRANSPORTATION

Plan & Profile NB I-57			
SCALE: 1"=20'	SHEET 1	OF 11 SHEETS	STA. 758+00.00 TO STA. 770+00.00

F.A.I RTE.	SECTION	COUNTY	TOTAL SHEETS	SHEET NO.
57	(15-22HB-4)BR (15-22)R	COLES	1086	100
CONTRACT NO. 74435				
ILLINOIS FED. AID PROJECT				