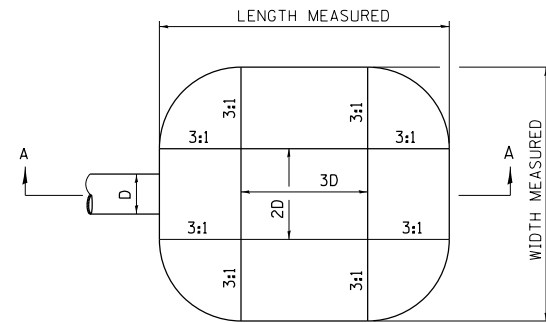
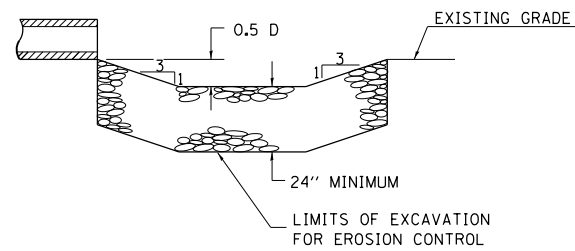


ENERGY DISSIPATOR



D = INSIDE DIAMETER OF PIPE CULVERT
OR CLEAR HEIGHT OF BOX CULVERT

PLAN



SECTION A-A

EARTH EXCAVATION FOR ENERGY DISSIPATOR

THIS WORK INVOLVES THE EXCAVATION OF EARTH AS SHOWN IN THE SKETCH TO THE LENGTH, WIDTH, AND DEPTH AS SPECIFIED. THE EARTH EXCAVATION WILL BE UTILIZED IN THE ROADWAY EMBANKMENT OR WASTED AS DIRECTED BY THE ENGINEER. THE EXCAVATION SHALL BE PERFORMED AT THE SAME TIME AS THE CULVERT OR DITCH IS CONSTRUCTED TO SERVE AS A TEMPORARY SEDIMENT TRAP.

EARTHWORK WILL BE CONSIDERED INCLUDED IN THE COST OF THE RIPRAP.

ENERGY DISSIPATOR IS TO BE CONSTRUCTED AT THE LOCATION INDICATED ON THE PLAN AND PROFILE SHEETS.

RIPRAP FOR ENERGY DISSIPATOR

RIPRAP FOR ENERGY DISSIPATOR SHALL BE CONSTRUCTED IN ACCORDANCE WITH SECTION 281 OF THE STANDARD SPECIFICATIONS EXCEPT AS REVISED HEREIN.

THE LENGTH, WIDTH, AND DEPTH FOR RIPRAP PLACEMENT SHALL BE AS SPECIFIED IN THESE DETAILS UNLESS OTHERWISE SPECIFIED IN THE PLANS. THE OUTSIDE CORNERS CAN BE ROUNDED OR SQUARED.

THE RIPRAP FOR THE ENERGY DISSIPATOR SHALL BE PAID FOR AT THE CONTRACT UNIT PRICE PER SQUARE YARD FOR **STONE DUMPED RIPRAP**.

THE STONE DUMPED RIPRAP SHALL CONFORM TO THE QUALITY AND GRADATION REQUIREMENTS OF STONE RIPRAP, CLASS A4.

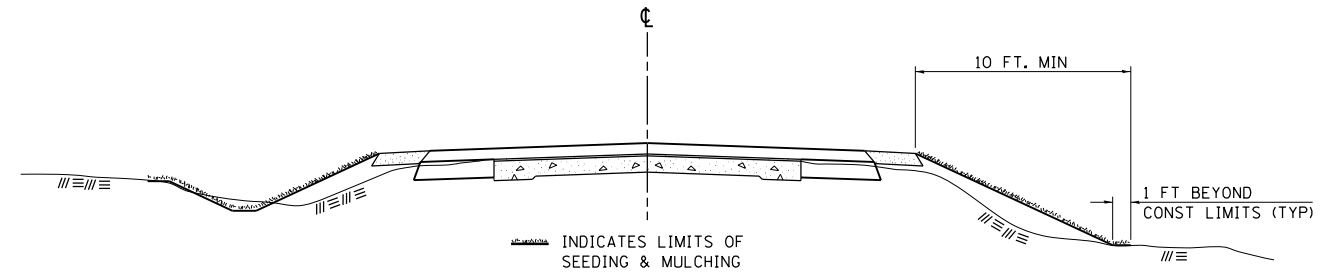
FILTER FABRIC AND BEDDING MATERIAL AS SPECIFIED IN SECTION 281 OF THE STANDARD SPECIFICATIONS WILL NOT BE REQUIRED.

REVISIONS	
REVISED	2-15-89
REVISED	8-15-94
REVISED	6-3-99
REVISED	5-16-13

STD. 9-6

SEEDING & MULCHING

F.A.U. RTE.	SECTION	COUNTY	TOTAL SHEETS	SHEET NO.
9588*	39(R-1,B-1,B-2)	WILLIAMSON	224	75
STA.		TO STA.		
FED. ROAD DIST. NO.	ILLINOIS	FED. AID PROJECT		
* & FAS 903				CN 78277



GENERAL NOTES

IN GENERAL, ALL EARTH SURFACES DISTURBED DURING CONSTRUCTION OPERATIONS SHALL BE SEEDED AND MULCHED UPON COMPLETION OF ALL GRADING OPERATIONS.

ON DETOUR ROADS, SLOPES SHALL BE SEEDED IMMEDIATELY UPON COMPLETION OF ANY GIVEN STAGE GRADING. TEMPORARY SEEDED SHALL BE CLASS 7.

FERTILIZER NUTRIENTS SHALL BE APPLIED TO ALL SEEDED AREAS. LIMESTONE SHALL BE APPLIED TO ALL AREAS OF FINAL SEEDED.

THE RATES OF APPLICATION OF FERTILIZER, MULCH AND LIMESTONE SHALL BE AS SPECIFIED IN THE SPECIAL PROVISIONS FOR ROAD AND BRIDGE CONSTRUCTION.

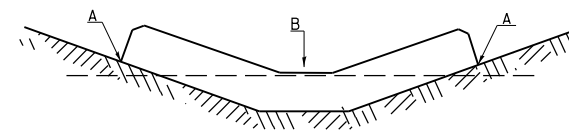
SECTIONS 250 AND 251 OF THE STANDARD SPECIFICATIONS SHALL GOVERN THIS WORK EXCEPT AS SPECIFIED HEREIN OR AS NOTED IN THE SPECIAL PROVISIONS.

REVISIONS	
REDRAWN	2-15-89
REVISED	8-15-94
REVISED	6-3-99
REVISED	5-16-13

STD. 9-12

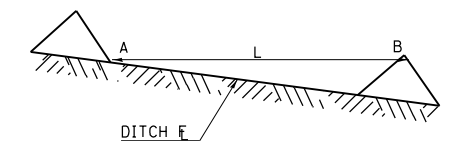
TEMPORARY DITCH CHECKS

PLACEMENT OF TEMPORARY DITCH CHECK IN DRAINAGE WAY



POINTS A SHOULD BE HIGHER THAN POINT B

SPACING BETWEEN TEMPORARY DITCH CHECKS



L = THE DISTANCE SUCH THAT POINTS A AND B ARE OF EQUAL ELEVATION

B = THE LOW POINT IN CENTER OF CHECK

REVISIONS	
DRAWN	9-01-99
REVISED	10-3-01
REVISED	05-04-10
REVIEWED	5-17-13

STD. 9-108