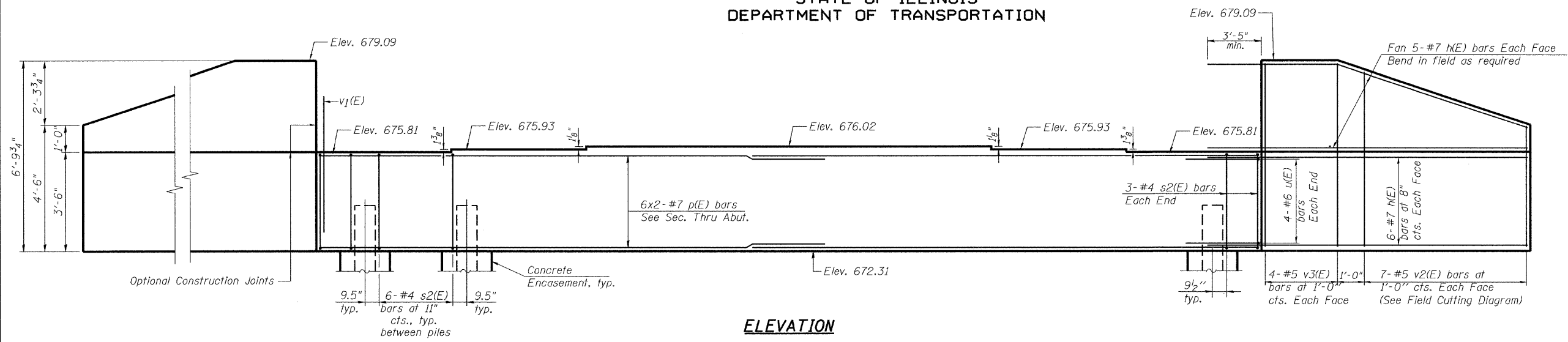
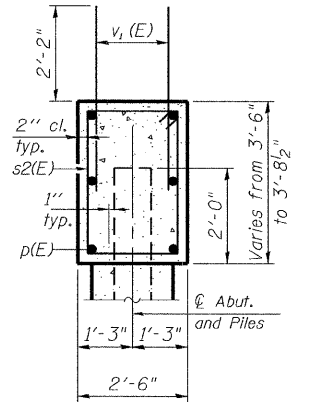


STATE OF ILLINOIS
DEPARTMENT OF TRANSPORTATION

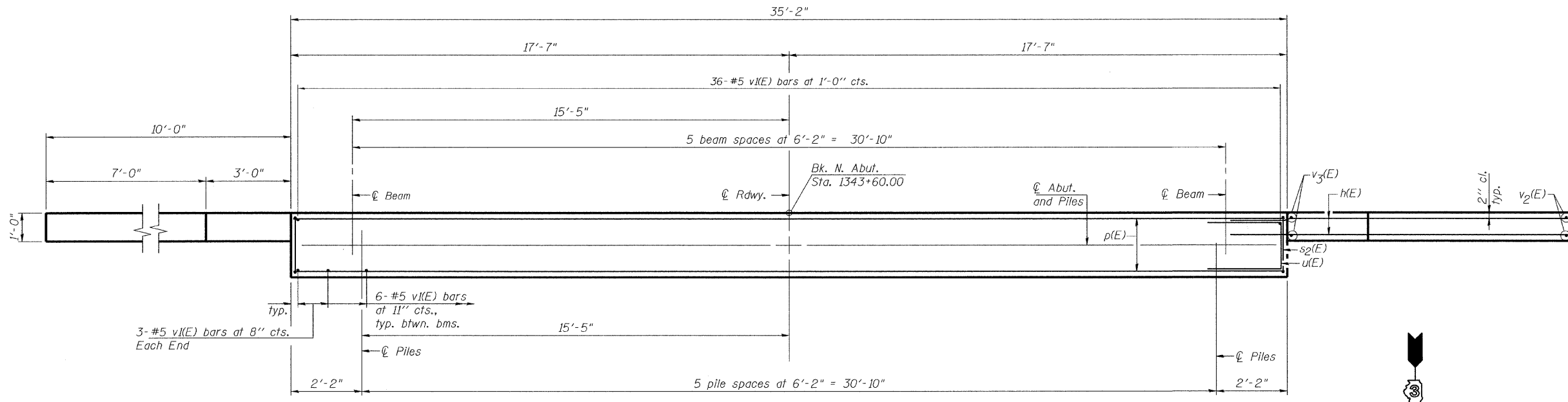
Note: Four steps monolithically with cap.



ELEVATION



SEC. THRU ABUT.



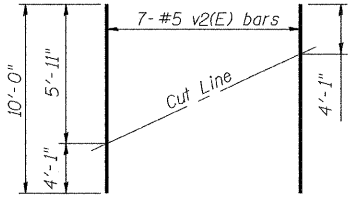
PLAN

PILE DATA

Type: Steel HP12x53
Nominal Required Bearing: 256 kips
Factored Resistance Available: 128 kips
Est. Length: 45 ft.
No. Production Piles: 5
No. Test Piles: 1

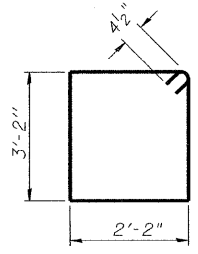
BILL OF MATERIAL

Bar	No.	Size	Length	Shape	
h(E)	44	#7	13'-5"	—	
p(E)	12	#7	19'-3"	—	
s2(E)	36	#4	11'-5"	□	
u(E)	8	#6	7'-3"	—	
v1(E)	72	#5	4'-4"	—	
v2(E)	14	#5	10'-0"	—	
v3(E)	8	#5	6'-5"	—	
Structure Excavation				Cu. Yd.	94.5
Concrete Structures				Cu. Yd.	16.2
Reinforcement Bars, Epoxy Coated				Pound	2,570
Furnishing Steel Piles, HP12x53				Foot	225
Driving Piles				Foot	225
Test Pile Steel, HP12x53				Each	1
Concrete Encasement				Cu. Yd.	2.1

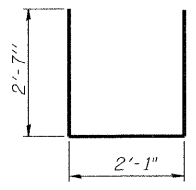


FIELD CUTTING DIAGRAM

Order v2(E) full length. Cut as shown and use remainder of bars in opposite face.



BAR s2(E)



BAR u(E)

NOTES:

- For details of Bar Splicers, see sheet S18.
- For details of piles and Concrete Encasement, see sheet S17.
- Minimum bar lap: #7 bar = 3'-5"
- For Foundation Layout, see sheet S3.

SOUTH ABUTMENT DETAILS
STRUCTURE NO. 027-0097

DESIGNED -	MRB
CHECKED -	KWS
DRAWN -	VH
CHECKED -	MRB

benesch

alfred benesch & company
Engineers • Surveyors • Planners
205 North Michigan Avenue, Suite 2400
Chicago, Illinois 60601
312-565-0450
Job # 3938.02

SHEET NO. S16	F.A.P. RTE. 796	SECTION 104 I & 105 BR-1	COUNTY FORD	TOTAL SHEETS 51	SHEET NO. 30
SHEETS S22	CONTRACT NO. 66848			ILLINOIS FED. AID PROJECT	