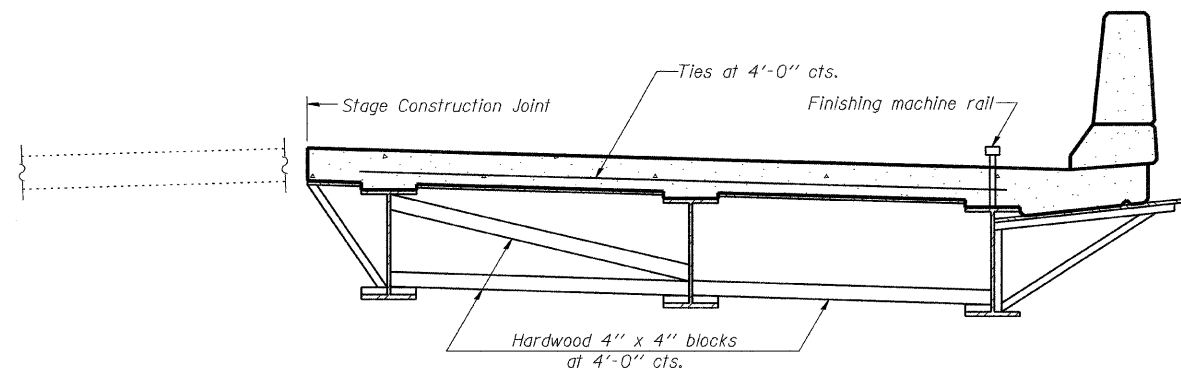
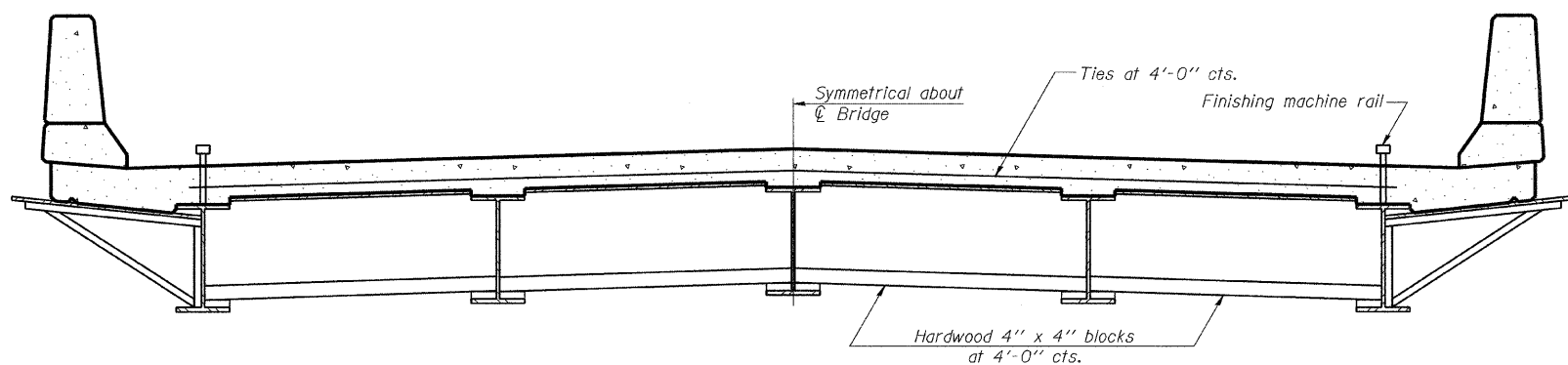


STATE OF ILLINOIS
DEPARTMENT OF TRANSPORTATION



**FORM BRACES FOR
STAGE CONSTRUCTION**

When cantilever forming brackets are used, the work shall be done according to Article 503.06(b) of the Standard Specifications, except as modified below and in the details shown on this sheet.
The finishing machine rails shall be placed on the top flange of the exterior beams.
The beams or girders, supporting cantilever forming brackets, shall be tied together at 4 foot intervals.
For Standard construction, or Stage Construction the Hardwood bracing materials shall be placed as shown between webs of beams in each bay.



**FORM BRACES FOR
STANDARD CONSTRUCTION**

**CANTILEVER FORMING BRACKETS
FOR SUPERSTRUCTURES WITH
W27 BEAMS AND SMALLER
STRUCTURE NO. 027-0097**

DESIGNED -	MRB
CHECKED -	KWS
DRAWN -	VH
CHECKED -	MRB

SB-1 10-1-08

benesch

alfred benesch & company
Engineers • Surveyors • Planners
205 North Michigan Avenue, Suite 2400
Chicago, Illinois 60601
312-565-0450
Job # 3938.02

SHEET NO. S20	F.A.P. RTE.	SECTION	COUNTY	TOTAL SHEETS	SHEET NO.
SHEETS S22	796	104 I & 105 BR-1	FORD	51	34
			CONTRACT NO. 66848		
FED. ROAD DIST. NO.		ILLINOIS FED. AID PROJECT			

x:\3900s\3938\structures\illinois\kellycreek\final\plans\0270097-66848-020-cantfbrkt.dgn 154604 IN03\2009