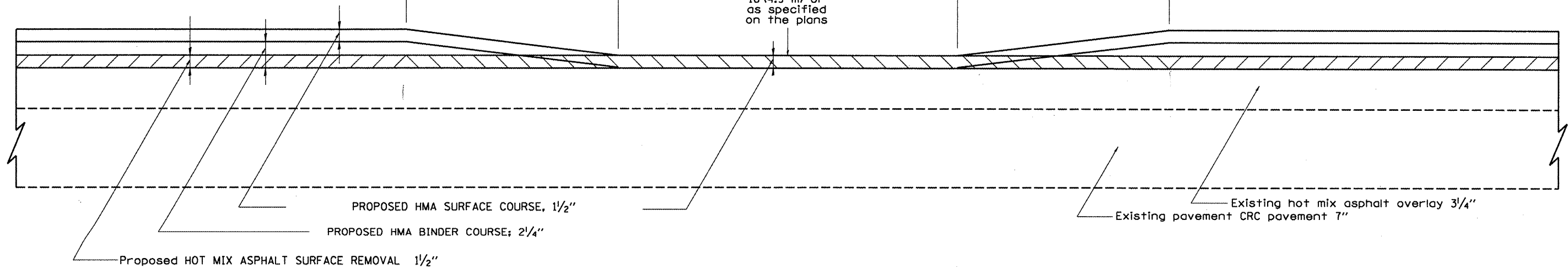


NOTE:
Hot mix asphalt shoulders adjacent to the bridge taper shall be coldmilled 0 to 1 1/2" to allow a uniform overlay.



All dimensions are in inches (millimeters) unless otherwise noted.

FILE NAME =	USER NAME = laynedm	DESIGNED - -	REVISED - -
S:\GEN\DRAWING\STD&PLNS\Squad\68220 Woodhull to 34\cover sheets.dgn		DRAWN - -	REVISED - -
PLOT SCALE = 4.0000 "/ IN.		CHECKED - -	REVISED - -
PLOT DATE = 9/29/2008		DATE - -	REVISED - -

**STATE OF ILLINOIS
DEPARTMENT OF TRANSPORTATION**

PAVEMENT OVERLAY UNDER STRUCTURES

NOT TO SCALE

F.A.I. RTE.	SECTION	COUNTY	TOTAL SHEETS	SHEET NO.
74	(37-24,48-24,25,26) RS-3	KNOX		19
FED. ROAD DIST. NO. ILLINOIS FED. AID PROJECT			CONTRACT NO. 68220	