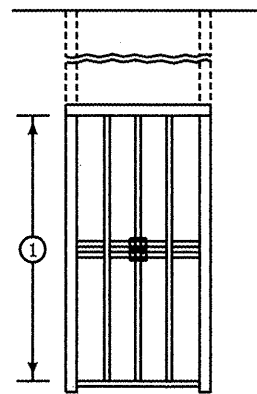
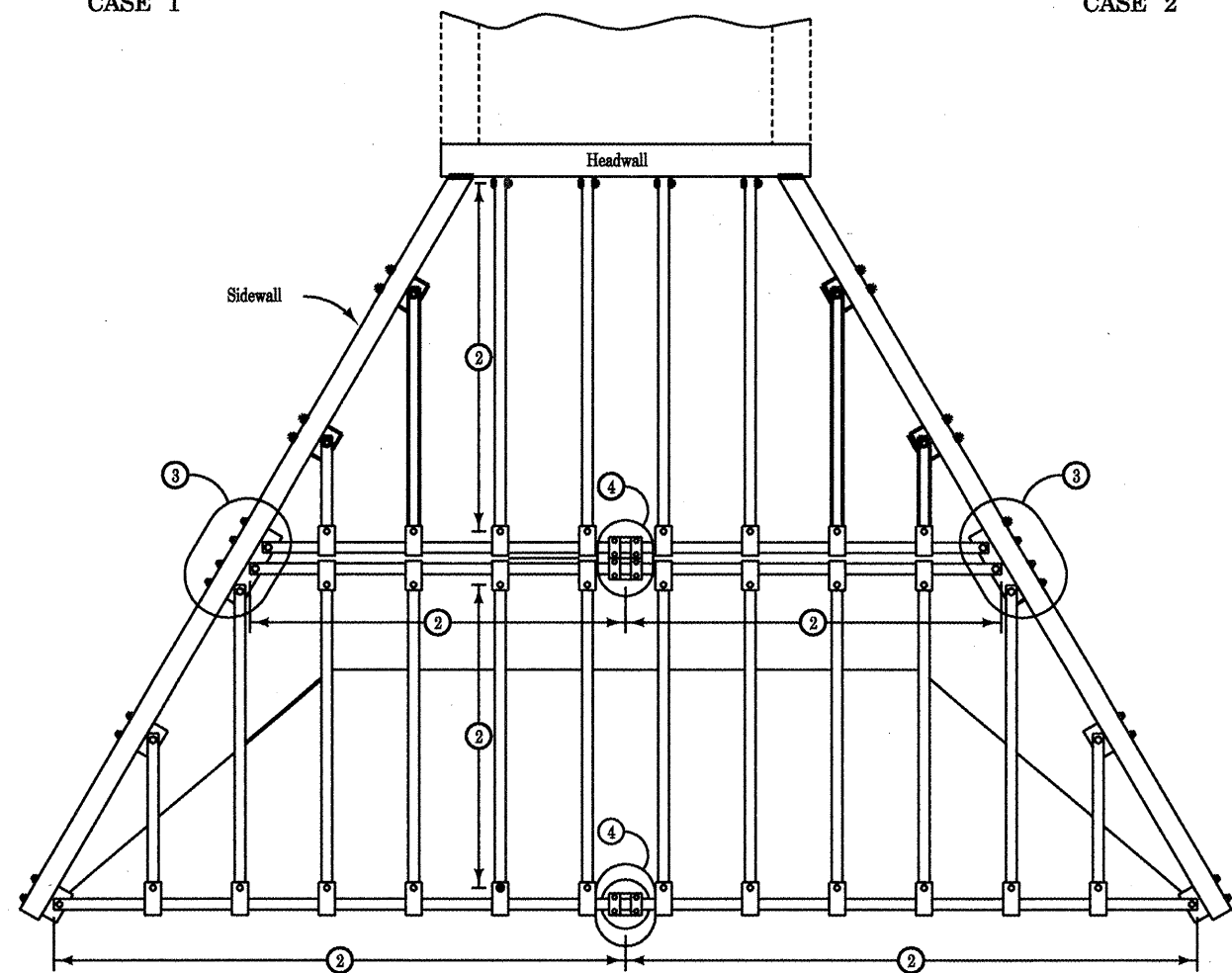


CASE 1



CASE 2



TYPICAL INSTALLATION PLAN  
WITH MIDSPAN SUPPORT

GENERAL NOTES:

This Detail Sheet illustrates fabrication and installation of various types of safety grate installations requiring a midspan support.

See Detail Sheet 1 for information concerning pipe sizes, skew angle determination, installation types, and general notes which apply to this sheet.

- ① Midspan support required when this dimension becomes more than 20 feet.
- ② Length of span (20 feet maximum).
- ③ See Detail 'C' on Detail Sheet 4.
- ④ See Detail 'D' on Detail Sheet 4.

FILE NAME = S:\GEN\DRAW\STD&PLNS\Squad\sq 1 deta	USER NAME = lsgnedm	DESIGNED - ---	REVISED - ---	<b>STATE OF ILLINOIS DEPARTMENT OF TRANSPORTATION</b>	<b>GRATING SPECIAL</b>	FAI RTE.	SECTION	COUNTY	TOTAL SHEETS	SHEET NO.	
	\\N\Safety Grate\grate std.dgn	DRAWN - ---	REVISED - ---			74	(37-24; 48-24; 25,26)	RS-3	HENRY/KNOX	23	
	PLOT SCALE = 2100.0000' / IN.	CHECKED - ---	REVISED - ---			CONTRACT NO. 68220					
	PLOT DATE = 11/19/2008	DATE - ---	REVISED - ---			FED. ROAD DIST. NO. ILLINOIS FED. AID PROJECT					
SCALE: _____ SHEET NO. ___ OF ___ SHEETS STA. _____ TO STA. _____											