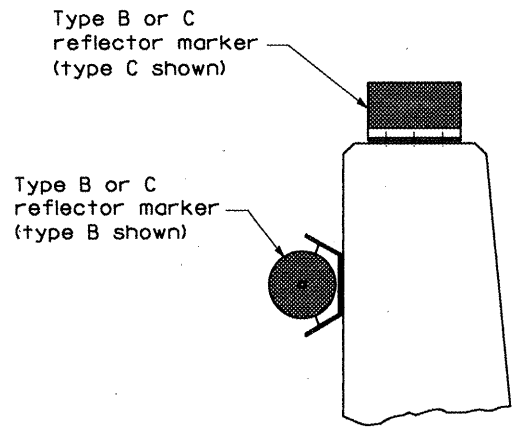
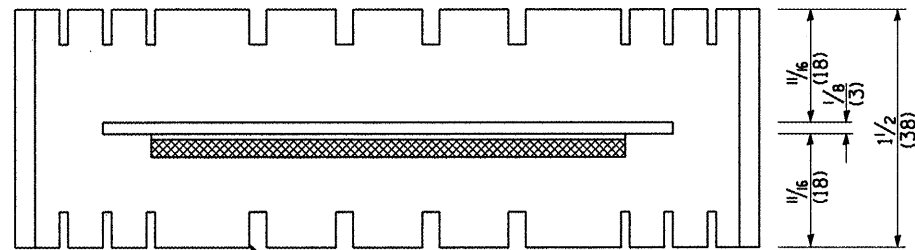


TYPICAL MOUNTING DETAIL FOR BRIDGE RAIL REFLECTOR

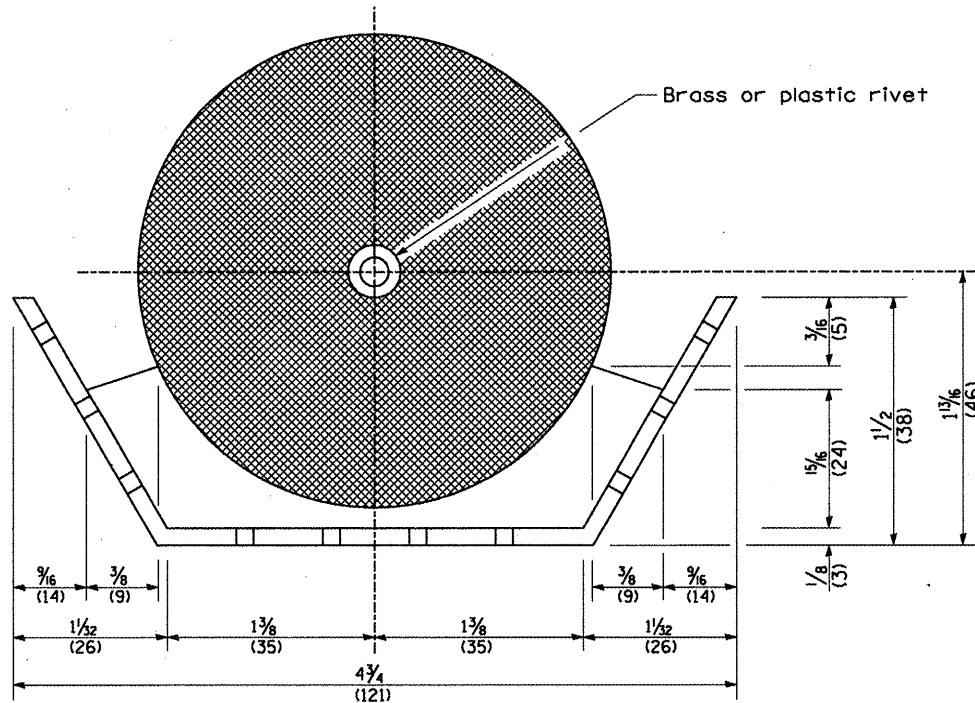


TYPICAL MOUNTING DETAIL FOR BARRIER WALL REFLECTOR

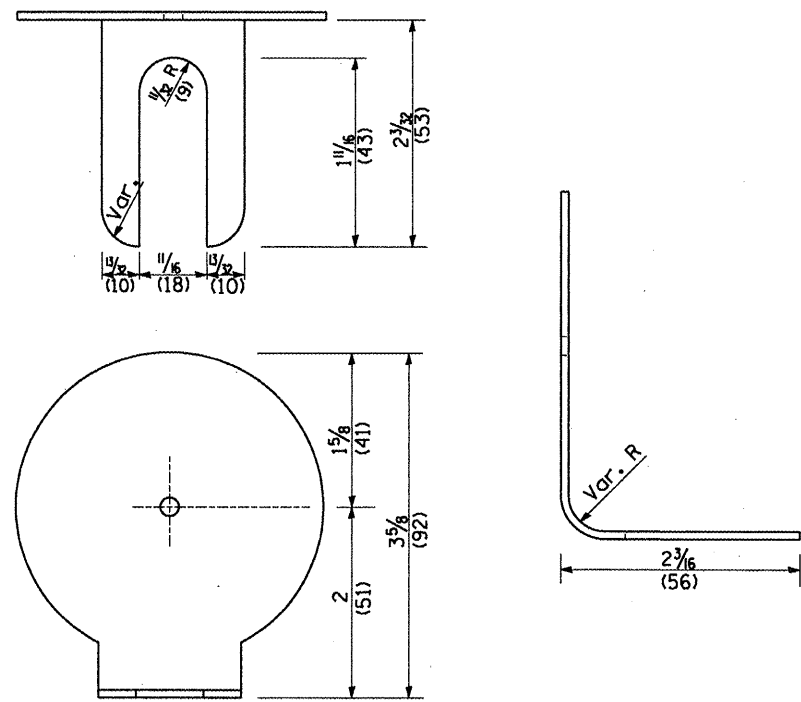
REFLECTOR MOUNTING



Adhesive weep slots or holes equally spaced on both sides

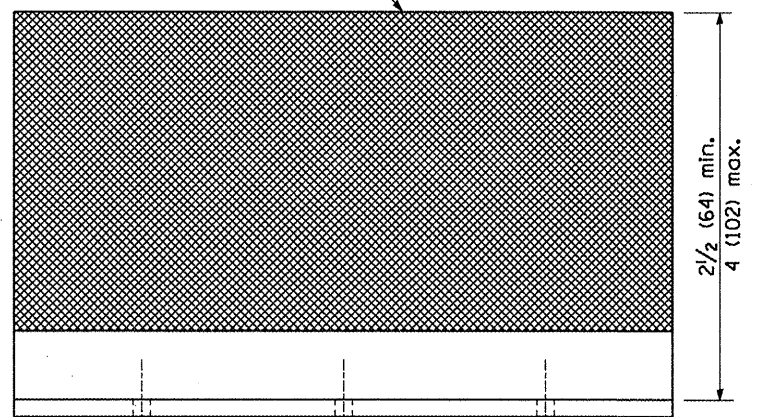


REFLECTOR MARKER TYPE B



REFLECTOR MARKER TYPE A

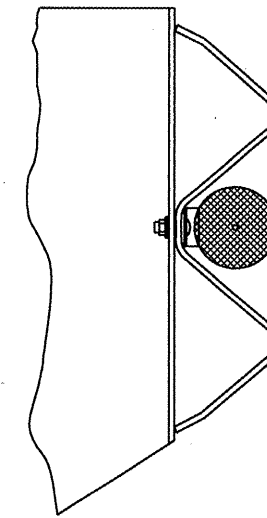
Min. reflective area 6 1/2 sq. in. (4,194 mm²) each side. May be rectangular or slight trapezoid.



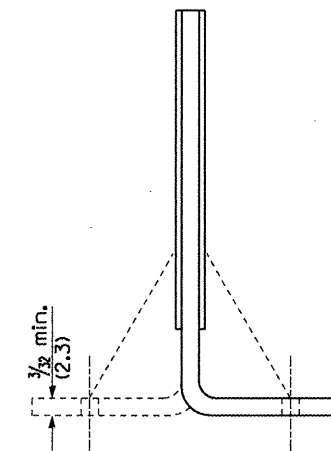
F.A.I. RTE.	SECTION	COUNTY	TOTAL SHEETS	SHEET NO.
74	(37-24;48-24;25,26) RS-3	KNOX	3 1/2 min. at base	
CONTRACT NO. 68220				
FED. ROAD DIST. NO. ILLINOIS FED. AID PROJECT				

3 min. adhesive weep holes or slots each side, variable spacing.

REFLECTOR MARKER TYPE C



TYPICAL GUARDRAIL MOUNTING WITH REFLECTOR MARKER TYPE A



Cross section may be "T" or "L" shaped and may have side supports at ends.

REFLECTORS

Minimum total area of base 7.0 Sq. in. (4,516 mm²)

All dimensions are in inches (millimeters) unless otherwise noted.