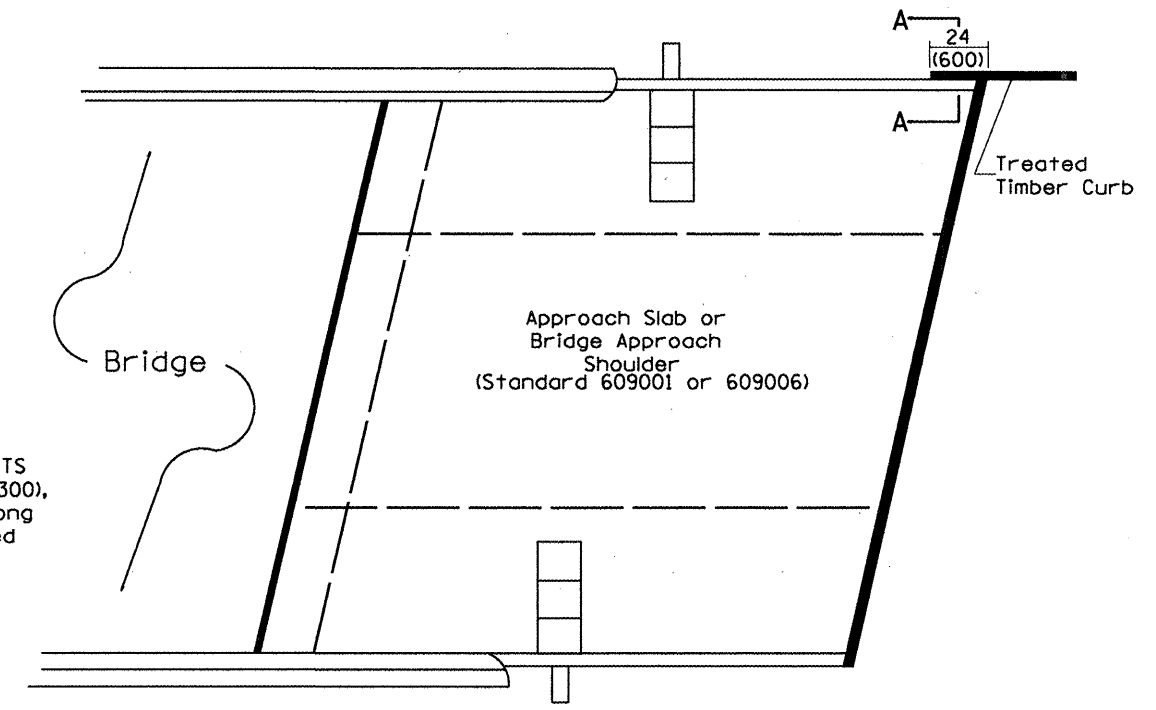


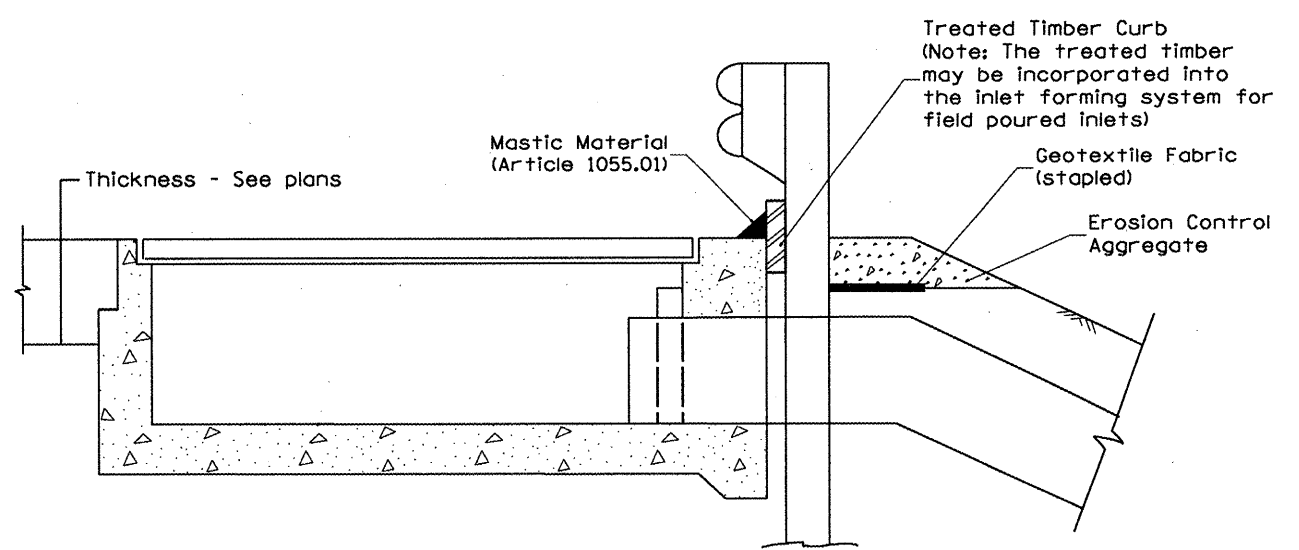
SPLICE LOCATED AT GUARDRAIL POST  
 1/2(M12) galvanized U-bolt with  
 nut & washer

SPLICE LOCATED BETWEEN GUARDRAIL POSTS  
 treated timber splice plate 2x12 (50x300),  
 actual size 1 1/2x1 1/2 (40x290), 24(600) long  
 with 8 evenly spaced 1/2(M12) galvanized  
 bolts with nuts & washers.

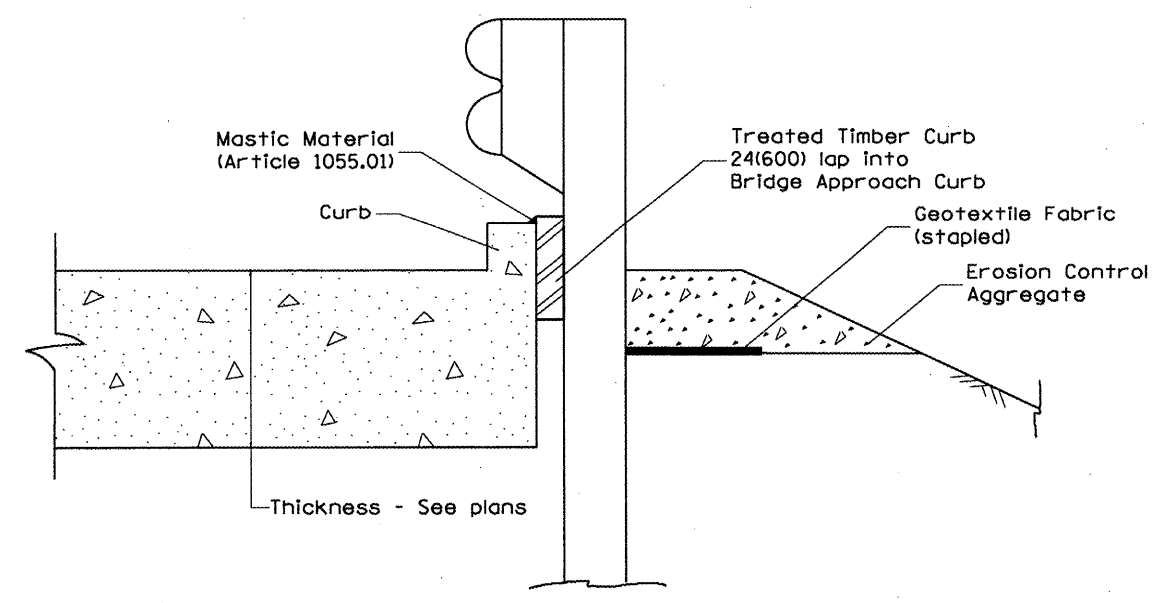
**DETAIL A**  
 (Typical Treated Timber Splices)



**PLAN VIEW**  
**APPROACH SLAB OR BRIDGE APPROACH SHOULDER**  
 (STANDARD 609001 or 609006)



**TYPICAL SECTION WITH EROSION CONTROL CURB**  
**AT INLETS TYPE E & F (STANDARD 610001)**



**SECTION A-A**  
**TYPICAL SECTION WITH EROSION CONTROL CURB**  
**AT BRIDGE APPROACH CURB**  
 (STANDARD 609001 OR 609006)

All dimensions are in inches (millimeters)  
 unless otherwise noted.

STATE OF ILLINOIS DEPARTMENT OF TRANSPORTATION		GUARDRAIL EROSION CONTROL TREATMENTS		F.A.I. RTE.	SECTION	COUNTY	TOTAL SHEETS	SHEET NO.
		NOT TO SCALE		74	(37-24,48-24,25,26) RS-3	KNOX/HENRY	33	33
		SHI, 2 OF 2 CAQQ, SIQ, 630101:04		FED. ROAD DIST. NO. ILLINOIS FED. AID PROJECT		CONTRACT NO. 68220		