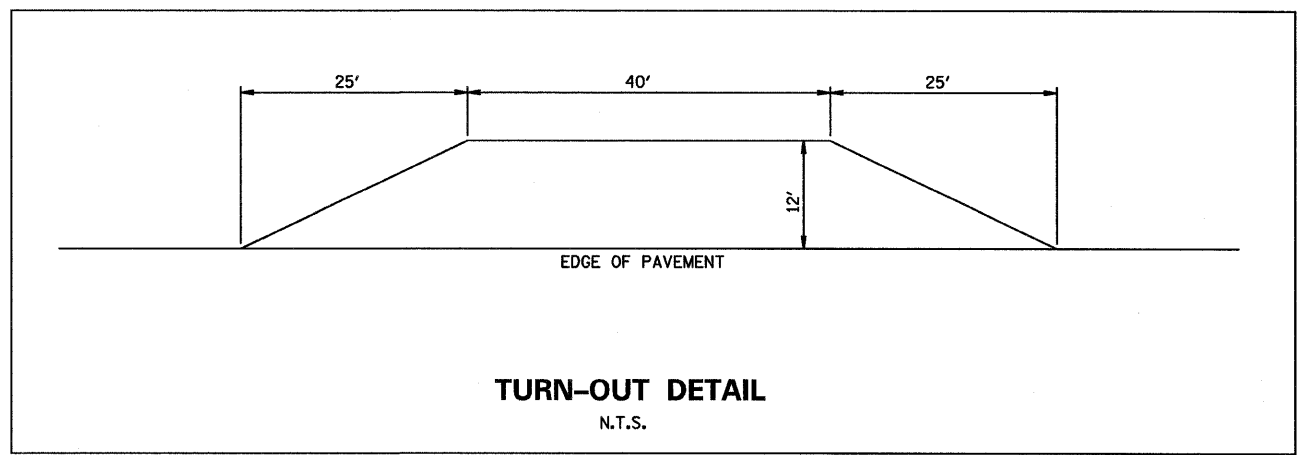
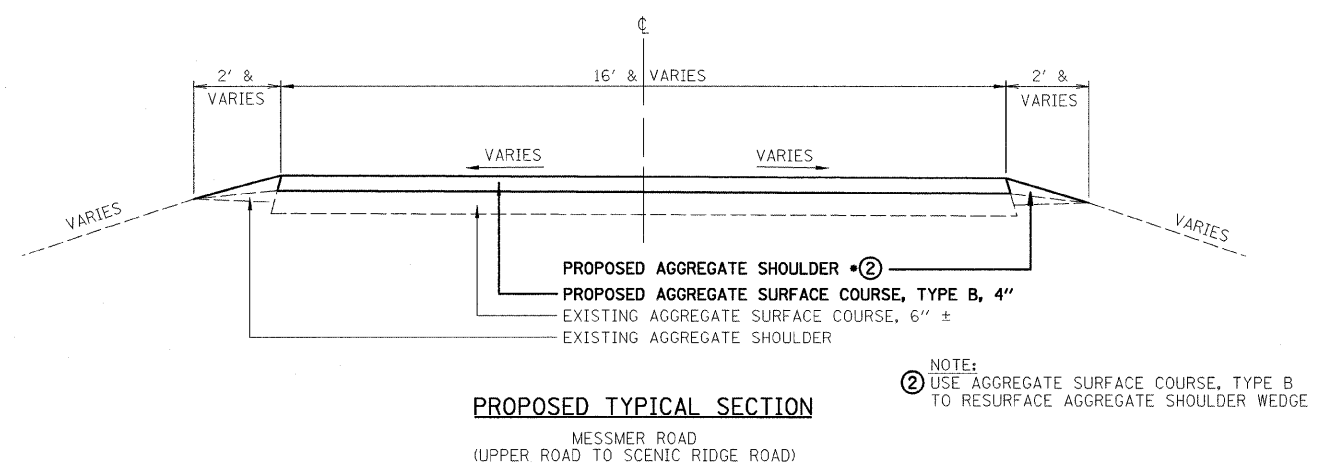
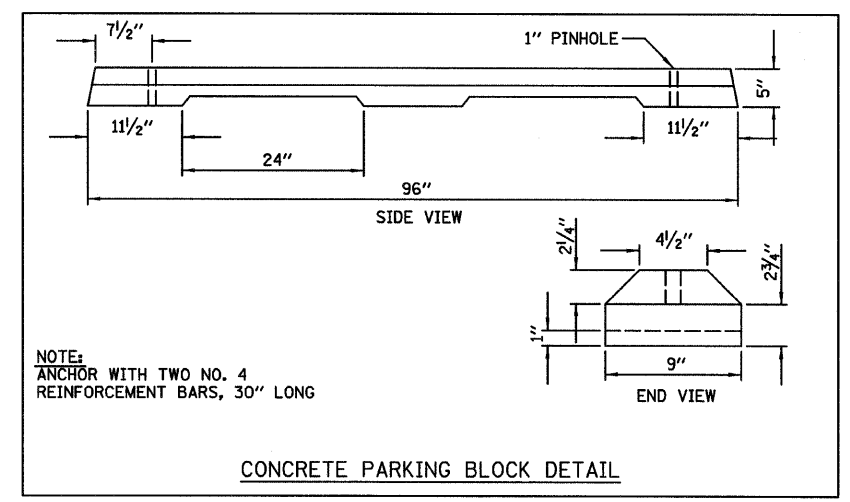


PROPOSED TYPICAL SECTION
TURNOUTS AND PARKING LOTS



TYPICAL SECTIONS AND MISCELLANEOUS DETAILS

FILE NAME =	USER NAME = #USER#	DESIGNED - PJM	REVISED -	STATE OF ILLINOIS DEPARTMENT OF TRANSPORTATION	SCALE:	SHEET NO. 4 OF 16 SHEETS	STA. TO STA.	F.A. RTE.	SECTION	COUNTY	TOTAL SHEETS	SHEET NO.			
#FILE#		DRAWN - DVH	REVISED -												
		CHECKED - RGD	REVISED -												
		DATE - 12-4-07	REVISED -												
								FED. ROAD DIST. NO.	ILLINOIS FED. AID PROJECT						