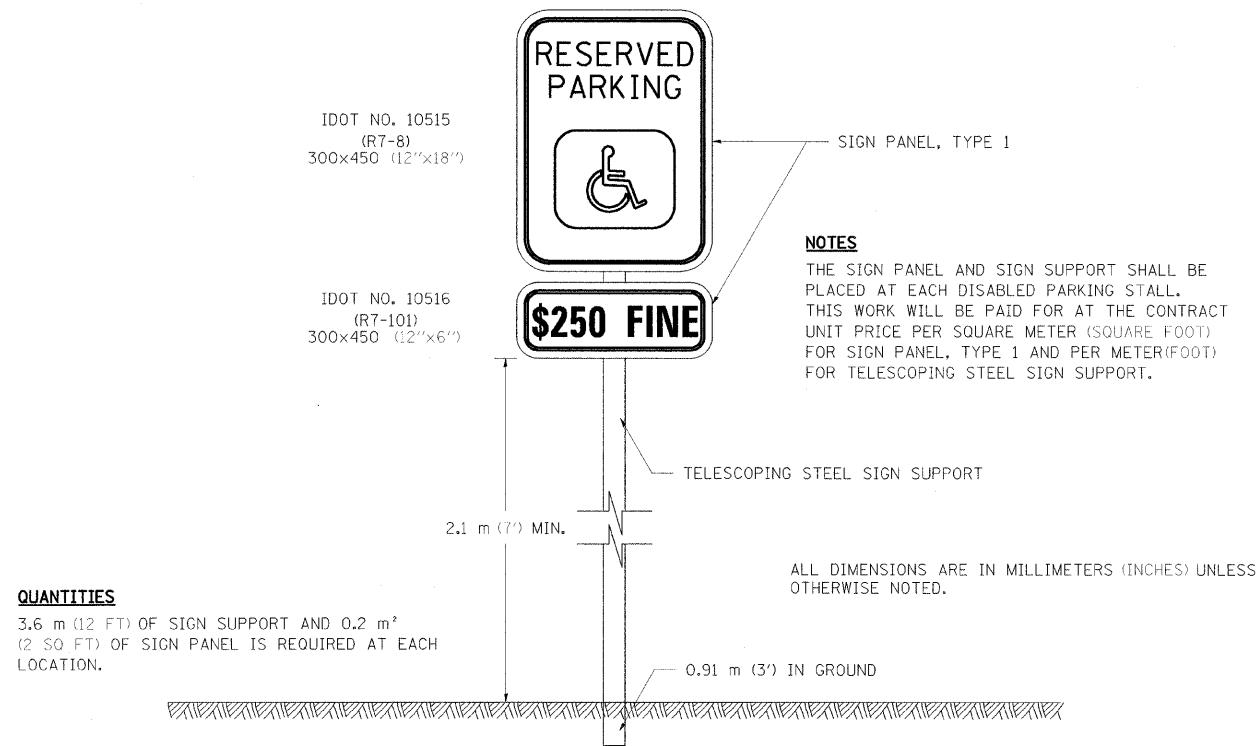
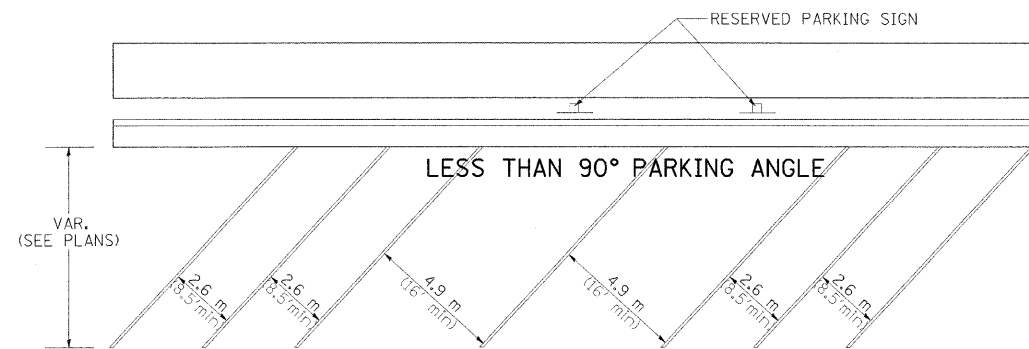
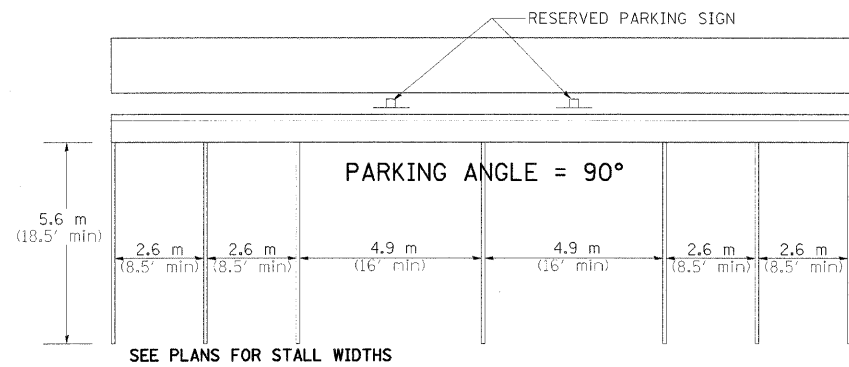


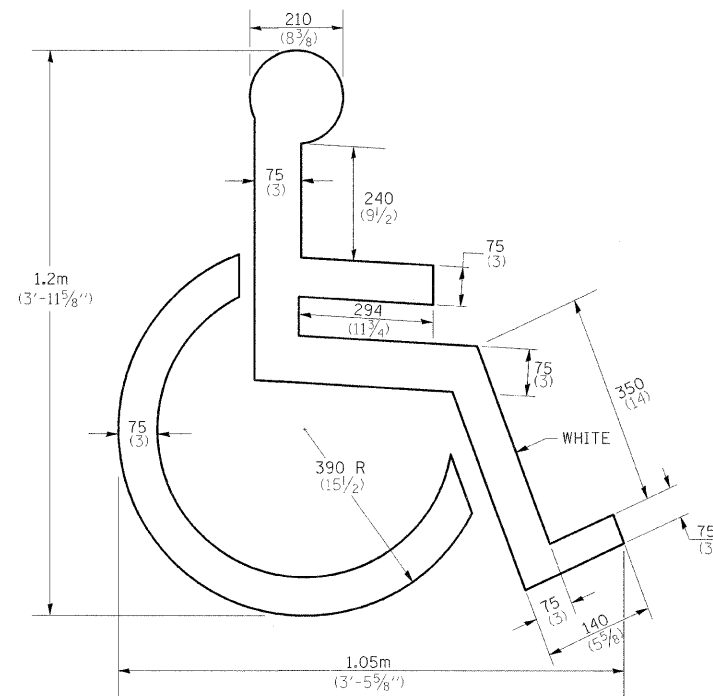
# RESERVED PARKING SIGN DETAIL



## DISABLED PARKING STRIPING



## DISABLED SYMBOL



**QUANTITY**  
0.27 m² (2.9 ft²)

ALL DIMENSIONS ARE IN MILLIMETERS (INCHES) UNLESS OTHERWISE NOTED.

FILE NAME =	USER NAME = #USER#	DESIGNED - PJM	REVISED -
#FILEL#		DRAWN - DVH	REVISED -
	PLOT SCALE = #SCALE#	CHECKED - RGD	REVISED -
	PLOT DATE = #DATE#	DATE - 12-4-07	REVISED -

STATE OF ILLINOIS  
DEPARTMENT OF TRANSPORTATION

DISTRICT DETAILS

SCALE: SHEET NO. 12 OF 16 SHEETS STA. TO STA.

F.A. RTE.	SECTION	COUNTY	TOTAL SHEETS	SHEET NO.
	PARK ROADS	CARROLL	16	12
FED. ROAD DIST. NO. ILLINOIS FED. AID PROJECT			CONTRACT NO. 44983	