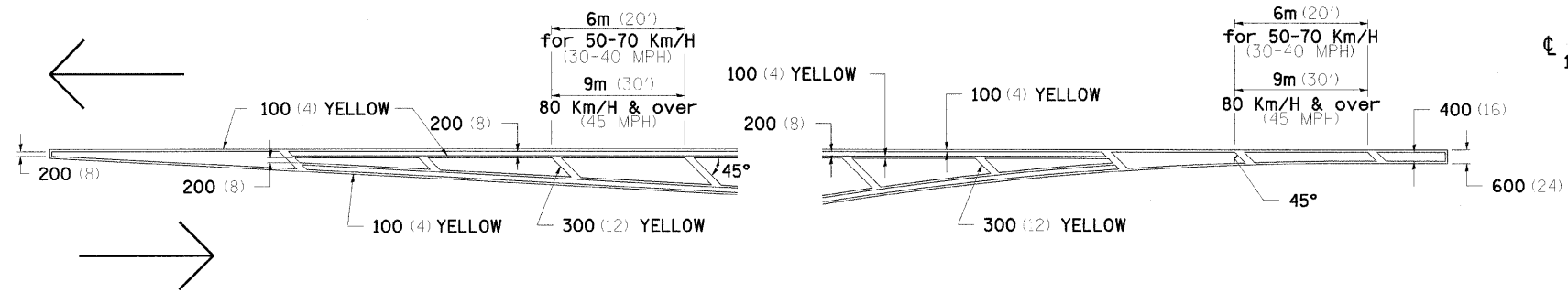
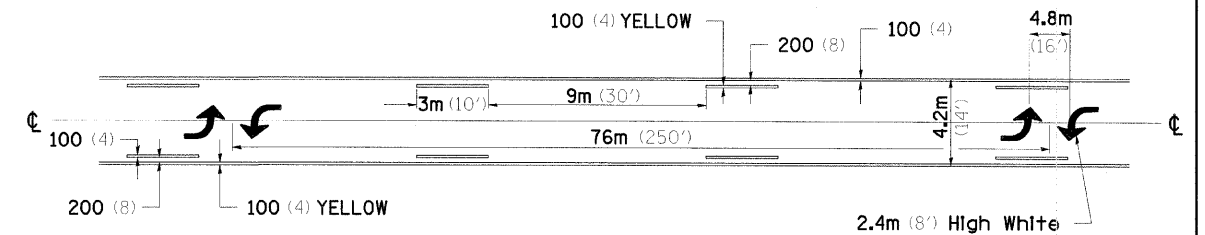


TYPICAL PAVEMENT MARKINGS

TYPICAL PAVEMENT MARKING FOR FLUSH MEDIAN AT LEFT TURN LANE

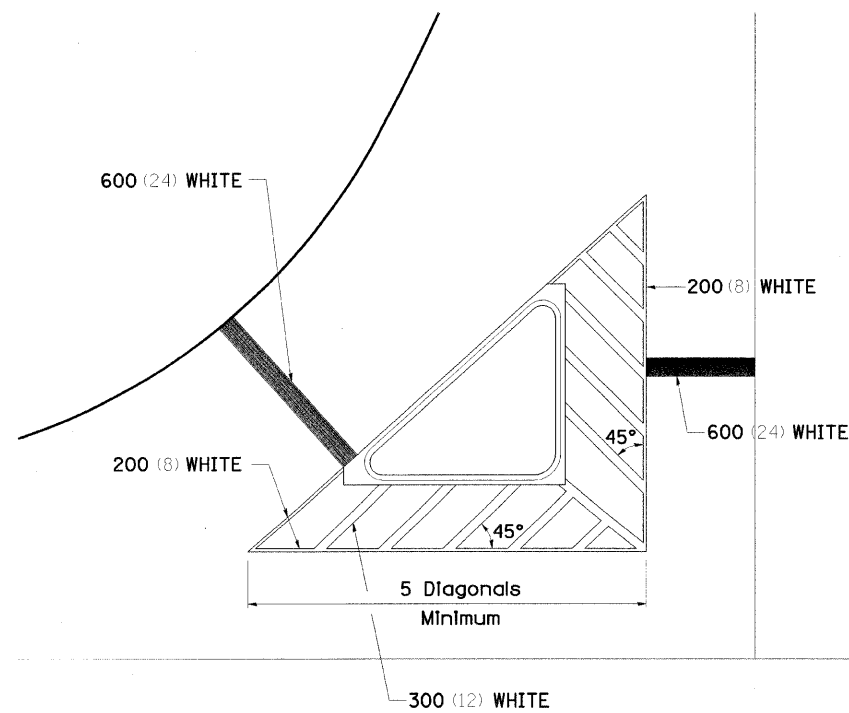


MEDIAN PAVEMENT MARKING

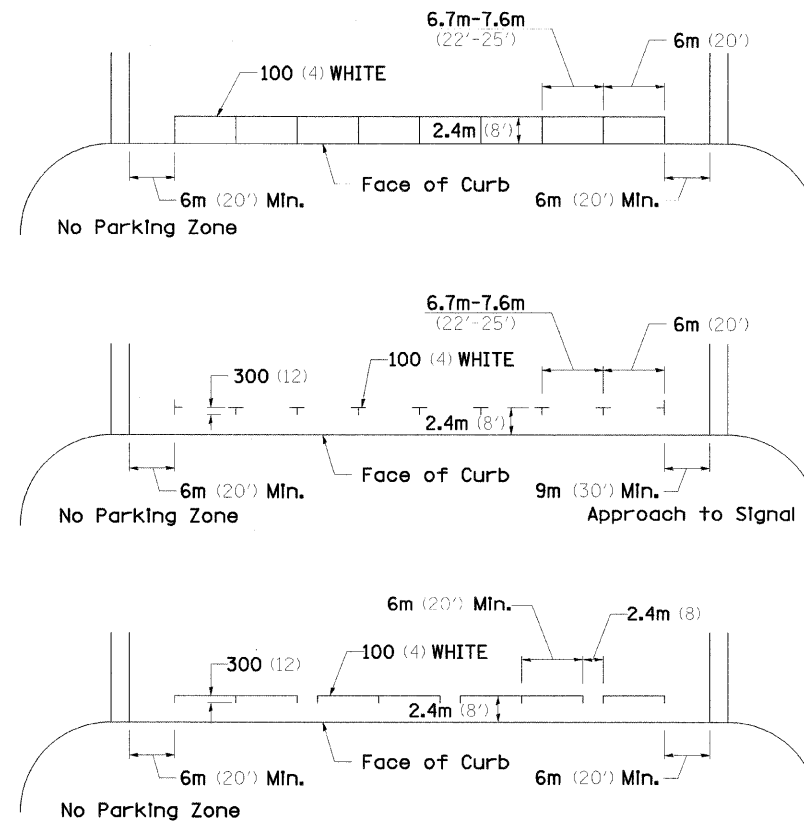


** ALL DIMENSIONS ARE IN MILLIMETERS (INCHES) UNLESS OTHERWISE NOTED.

TYPICAL ISLAND OFFSET SHOULDER WIDTH

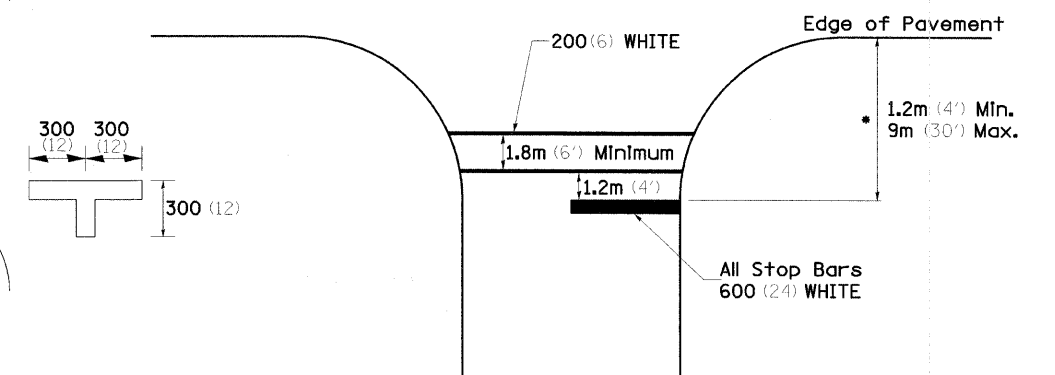


TYPICAL PARKING SPACING



STANDARD CROSSWALK MARKING

See Schedules for Locations



* Distance to the nearest edge of the intersecting roadway in the absence of a marked crosswalk.

FILE NAME =	USER NAME = #USER#	DESIGNED - PJM	REVISED - 7-20-06	STATE OF ILLINOIS DEPARTMENT OF TRANSPORTATION	DISTRICT DETAILS		F.A. RTE.	SECTION	COUNTY	TOTAL SHEETS	SHEET NO.
#FILEL#	PLOT SCALE = #SCALE#	DRAWN - DVH	REVISED -				PARK ROADS	CARROLL	16	15	
	PLOT DATE = #DATE#	CHECKED - RGD	REVISED -				CONTRACT NO. 44983				
		DATE - 12-4-07	REVISED -				SCALE: SHEET NO. 15 OF 16 SHEETS STA. TO STA. FED. ROAD DIST. NO. ILLINOIS FED. AID PROJECT				