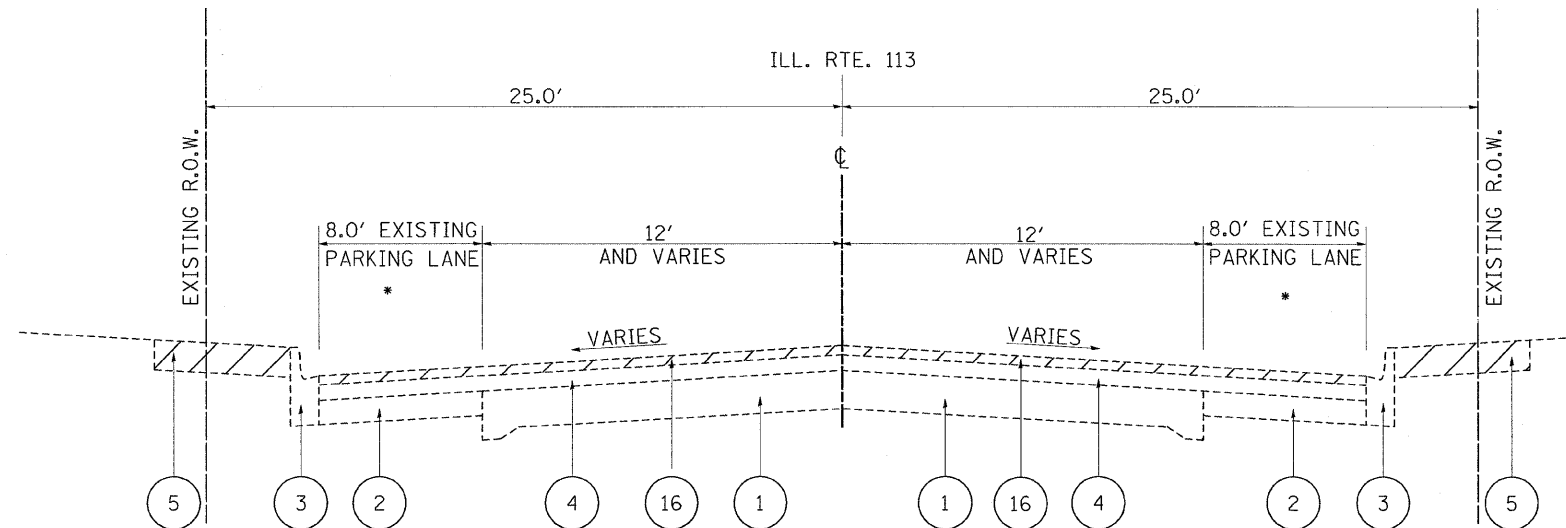
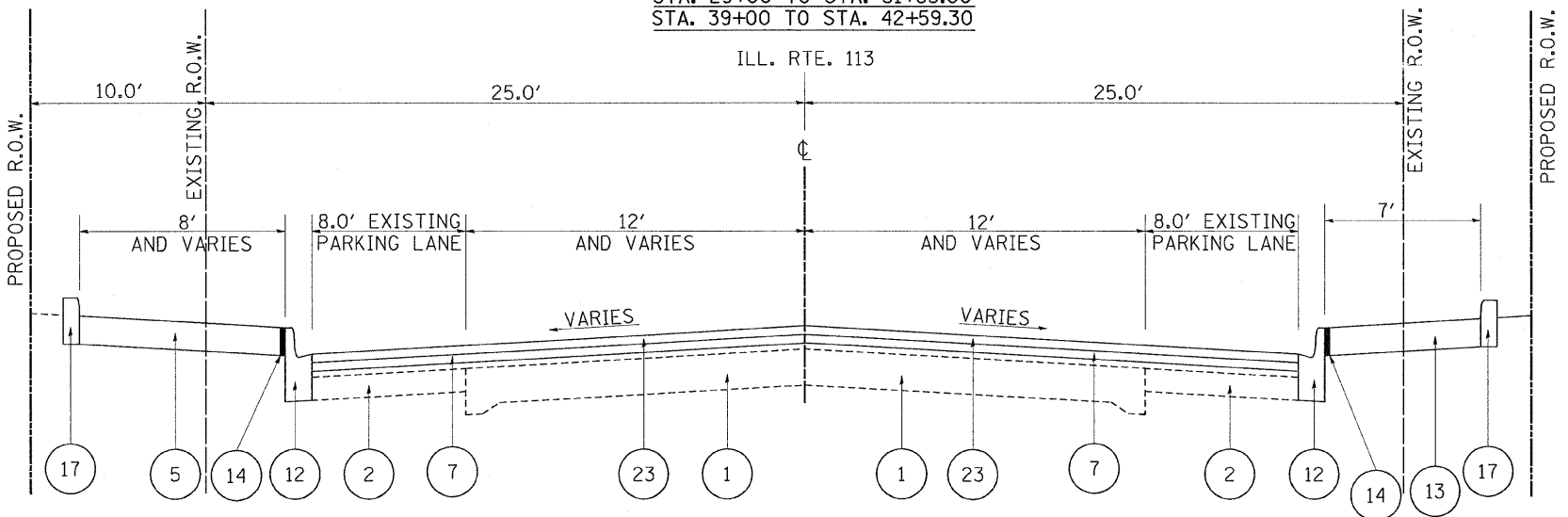


F.A.S. RTE.	SECTION	COUNTY	TOTAL SHEETS	SHEET NO.
2320	113X-N	WILL	133	9
STA.		TO STA.		
FED. ROAD DIST. NO. 1		ILLINOIS FED. AID PROJECT		

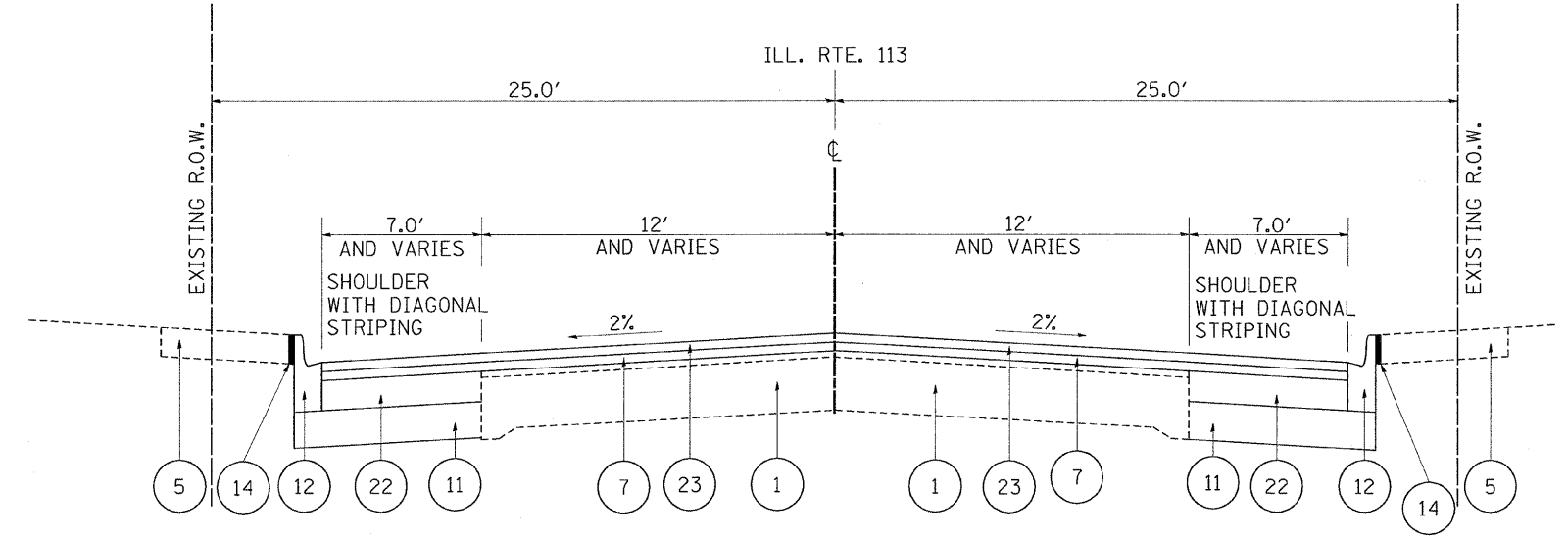


* AND BIT. SHOULDER WITH DIAGONAL STRIPING FROM STA. 33+50 TO STA. 43+00

STA. 29+00 TO STA. 31+55.00
STA. 39+00 TO STA. 42+59.30



STA. 29+00 TO STA. 31+55



STA. 39+00 TO STA. 42+59.30

- 1 EXISTING P.C.C. PAVEMENT, VARIES 6" TO 8"
- 2 EXISTING P.C.C. PAVEMENT WIDENING, ± 5"
- 3 EXISTING COMBINATION CONCRETE CURB AND GUTTER, TYPE B-6.24
- 4 EXISTING HOT-MIX ASPHALT CONCRETE SURFACE COURSE, ± 4"
- 5 EXISTING P.C.C. SIDEWALK, 5"
- 6 EXISTING AGGREGATE SHOULDER
- 7 PROPOSED POLYMERIZED LEVELING BINDER (MACHINE METHOD), IL-4.75, N50, 1"
- 8 PROPOSED HOT-MIX ASPHALT SURFACE COURSE, MIX "D", N70, 2"
- 9 PROPOSED CONCRETE MEDIAN, TYPE M-4.12
- 10 PROPOSED HOT-MIX ASPHALT BINDER COURSE, IL-19, N70, 1 1/2"
- 11 PROPOSED AGGREGATE SUBGRADE, 12"
- 12 PROPOSED COMBINATION CONCRETE CURB AND GUTTER, TYPE B-6.24 (TYP.)
- 13 PROPOSED PCC SIDEWALK, 5"
- 14 PROPOSED 3/4 " PREFORMED EXPANSION JOINT FILLER
COST INCLUDED IN COMBINATION CONCRETE CURB AND GUTTER PAY ITEM
- 15 PROPOSED CONCRETE MEDIAN SURFACE, 4"
- 16 HOT-MIX ASPHALT SURFACE REMOVAL, 2 1/2 "
- 17 PROPOSED CONCRETE CURB TYPE B
- 18 PROPOSED AGGREGATE SHOULDER, TYPE B
- 19 PROPOSED SUB-BASE GRANULAR MATERIAL, TYPE B 13 1/2"
- 20 PROPOSED CONCRETE MEDIAN 4"
- 21 PROPOSED PAVED DITCH
TYPE B-30
- 22 PROPOSED HOT-MIX ASPHALT BASE COURSE WIDENING, (HMA BINDER IL-19mm), 10 3/4"
- 23 PROPOSED HOT-MIX ASPHALT SURFACE COURSE, MIX "D", N70, 1 1/2"
- 24 PROPOSED COMBINATION CONCRETE CURB AND GUTTER, TYPE B-6.12

REVISIONS	
NAME	DATE

ILLINOIS DEPARTMENT OF TRANSPORTATION
ILLINOIS 113 AT
ILLINOIS 129 AND ILLINOIS 53
EXISTING AND PROPOSED
TYPICAL SECTION
ILL ROUTE 113
SCALE: VERT. _____ HORIZ. _____
DATE _____ (2 OF 3) DRAWN BY _____ CHECKED BY _____

PLOT DATE = 8/29/2007
FILE NAME = c:\projects\113\113\113\113.dwg
USER NAME = hmcintosh