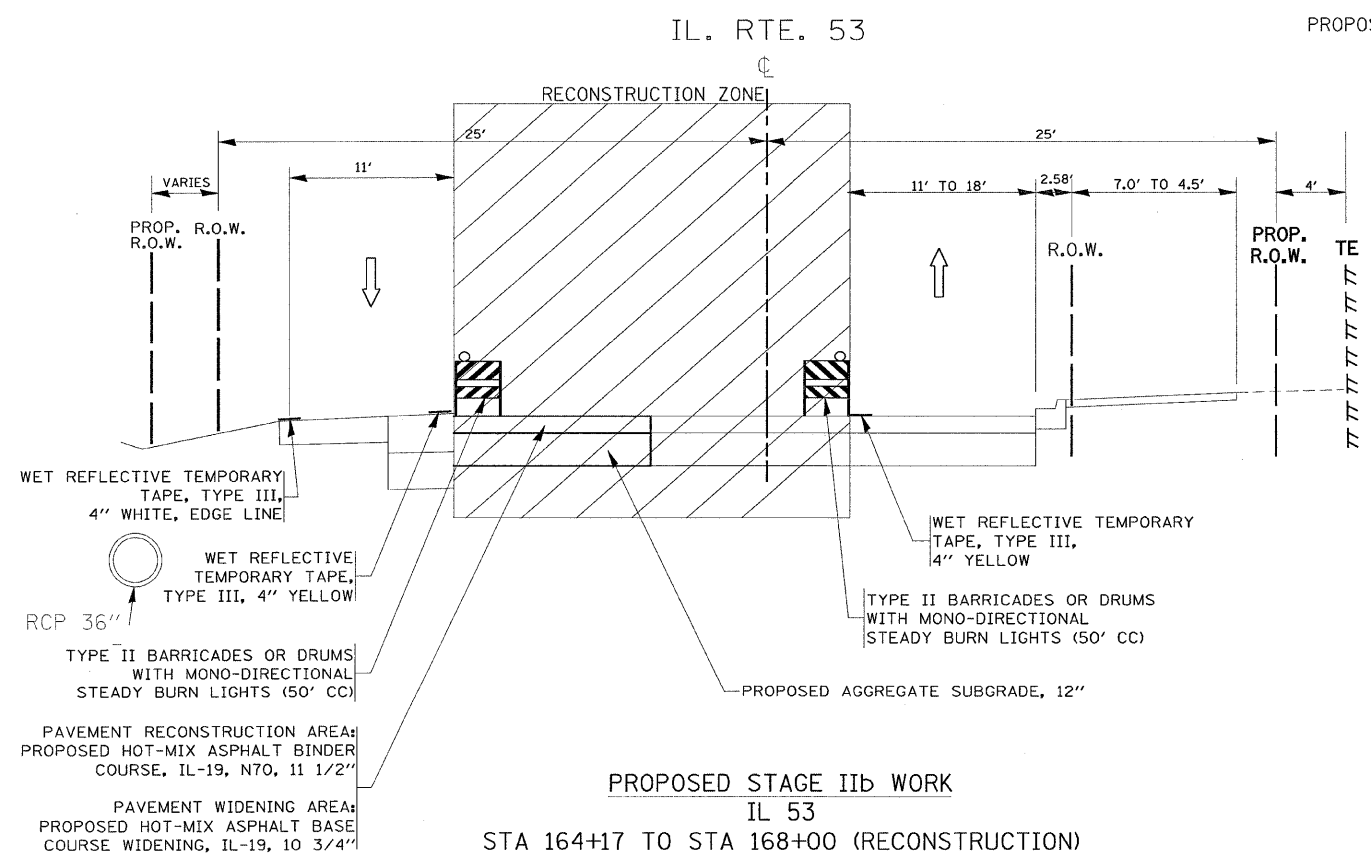
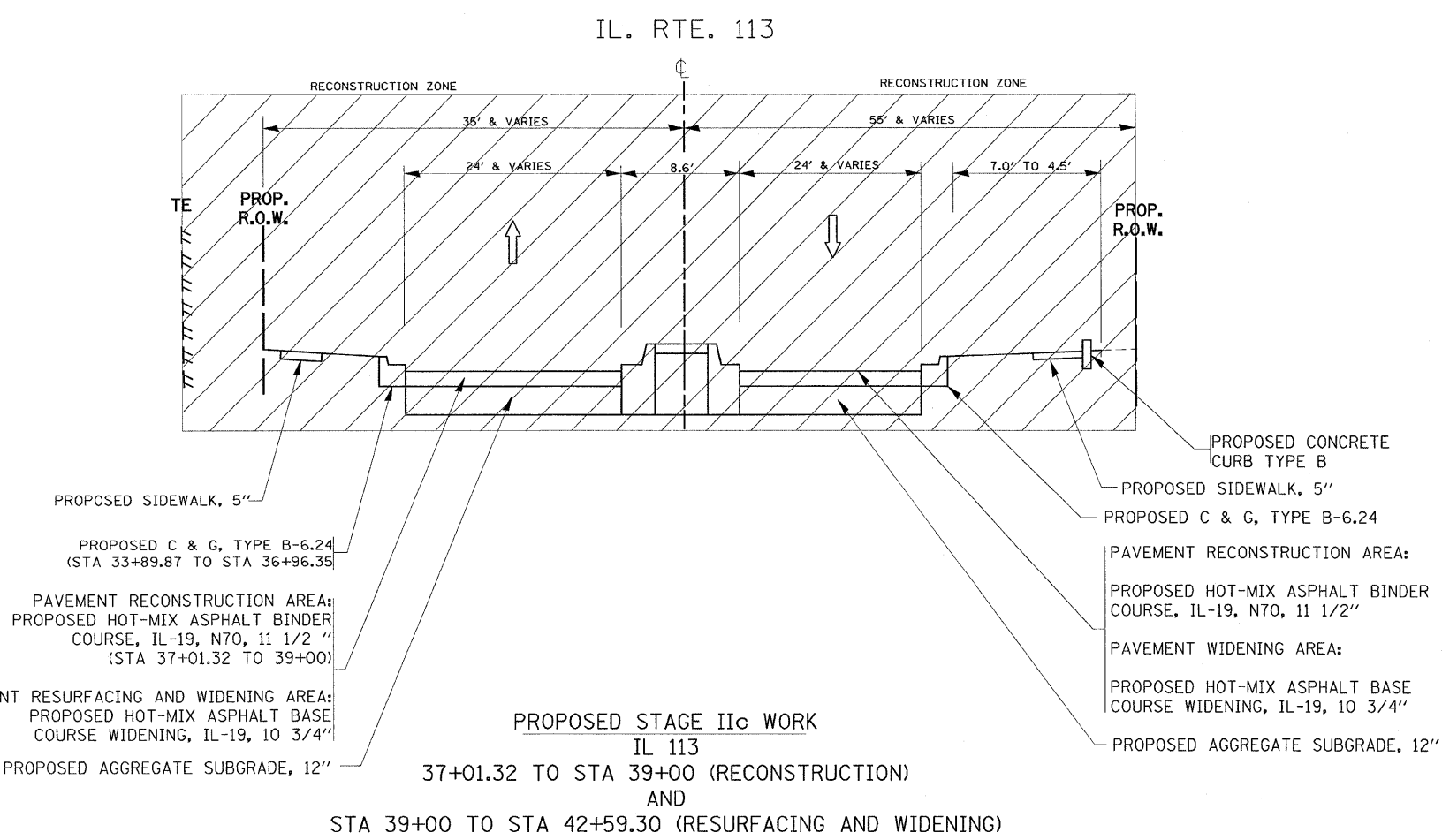
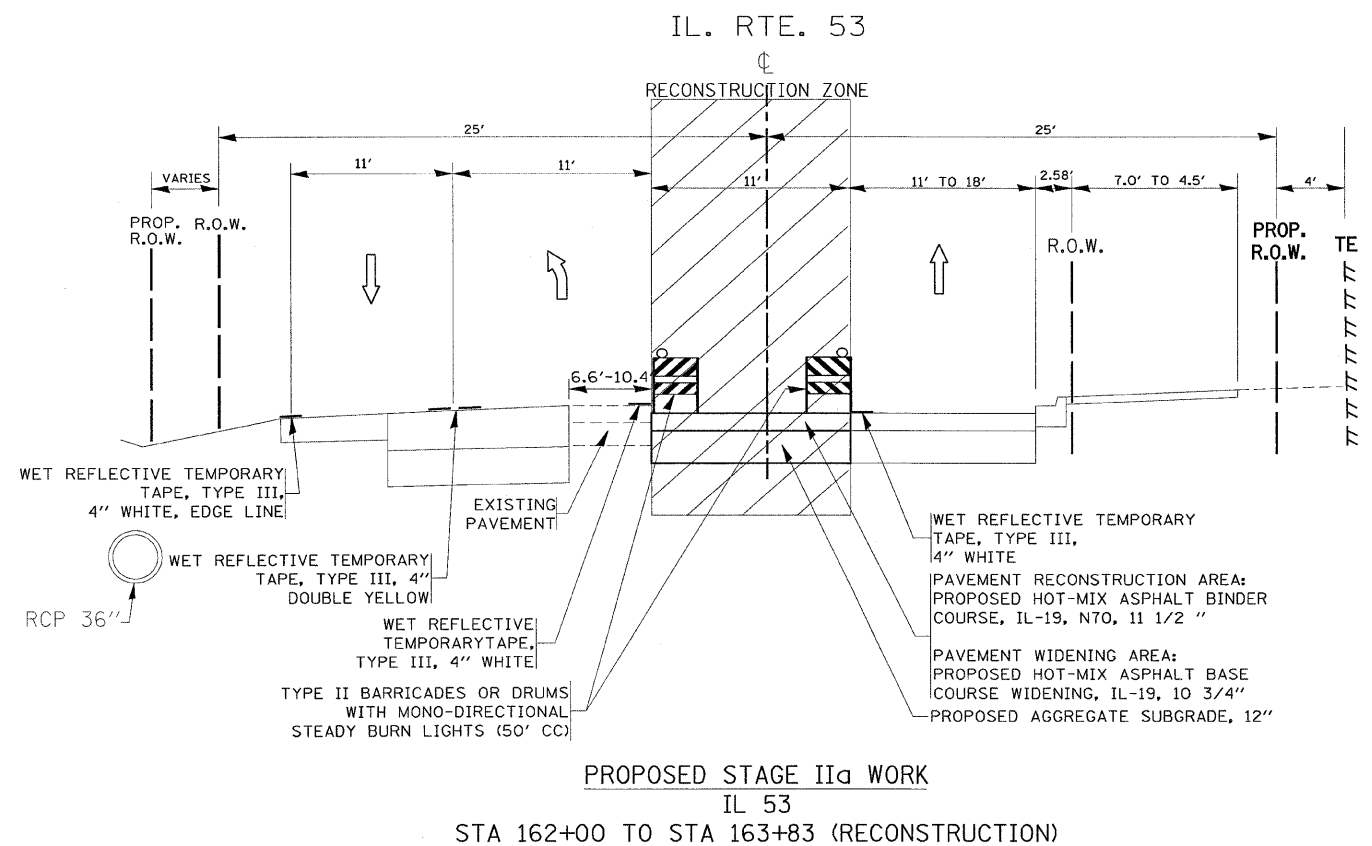


F.A.S. RTE.	SECTION	COUNTY	TOTAL SHEETS	SHEET NO.
2320	113X-N	WILL	133	30
STA.		TO STA.		
FED. ROAD DIST. NO.		ILLINOIS FED. AID PROJECT		



REVISIONS		ILLINOIS DEPARTMENT OF TRANSPORTATION ILLINOIS 113 AT ILLINOIS 129 AND ILLINOIS 53 EXISTING AND PROPOSED TYPICAL SECTION STAGE II (a, b & c) (2 OF 2)	DRAWN BY	CHECKED BY
NAME	DATE			

SCALE: VERT. _____
HORIZ. _____
DATE _____

PLOT DATE = 6/20/2007
FILE NAME = c:\pwworkspace\10161891\10161891\10161891.dwg
USER NAME = hmsdahl