

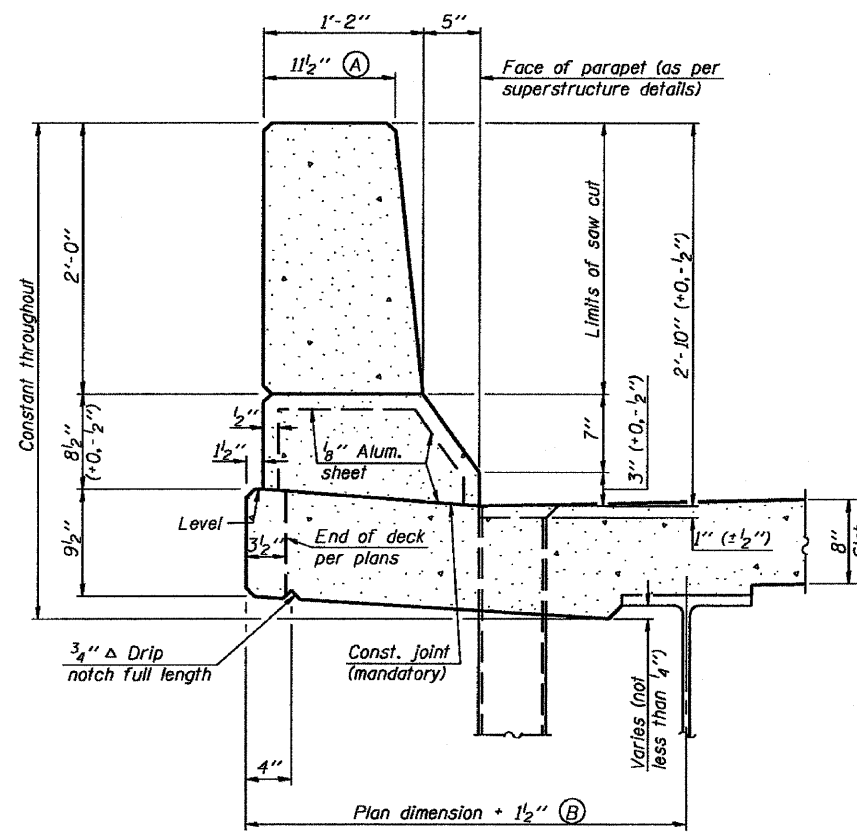
STATE OF ILLINOIS
DEPARTMENT OF TRANSPORTATION

EarthTech A tyco International Ltd. Company	F.A.P. ROUTE NO.	SECTION	COUNTY	SHEET NO.	NO.
	786	109 BR	La Salle	351	234A
FED. ROAD DIST. NO. 7		ILLINOIS		FED. AID PROJECT-	

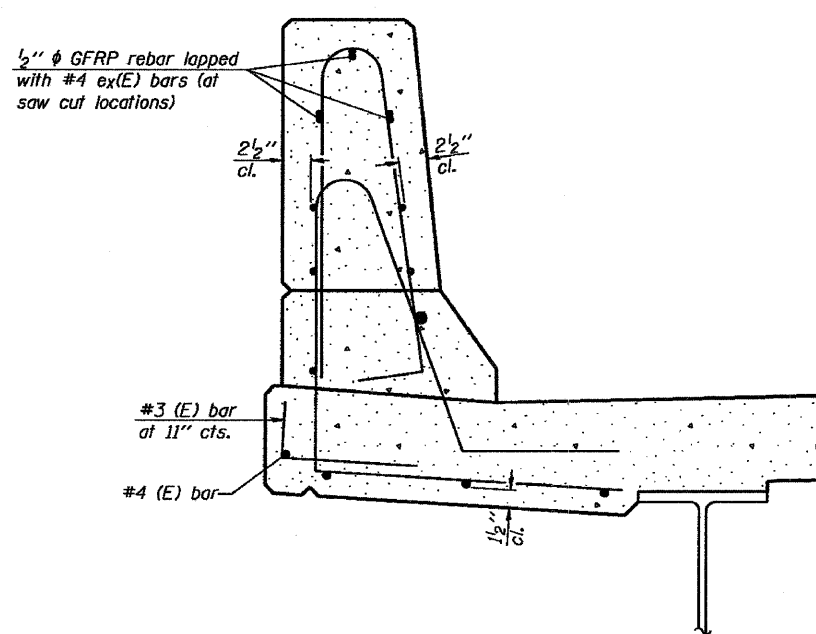
Contract # 66607

SHEET NO. 34A

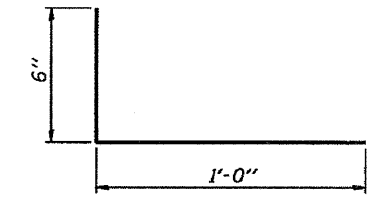
89 SHEETS



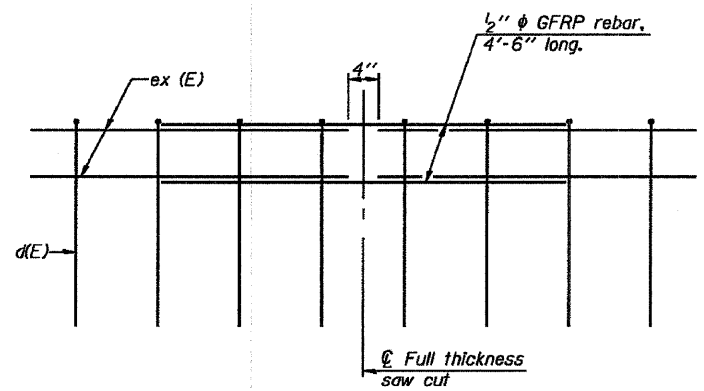
SECTION
(Showing dimensions)



SECTION
(Showing reinforcement clearances for slip forming and additional reinforcement bars.)



#3 (E) BAR



GFRP REBAR STIFFENING DETAIL
(Place as shown in parapet section at each parapet joint location.)

GENERAL NOTES
All dimensions shall remain the same as shown on contract plans, except dimensions A and B which are to be revised as shown to provide additional clearance. Additional concrete needed to revise dimension A and B= 0.0165 cu. yds./ft. of parapet.
Place aluminum sheet in curb portion at and near piers. Full thickness saw cut at all joint locations in lieu of cork joint filler.

DESIGNED - DEV
CHECKED - DSB
DRAWN - JHR
CHECKED - DSB

**CONCRETE PARAPET
SLIPFORMING OPTION
IL. 170 F.A.P. 786 OVER
ILLINOIS RIVER AT SENECA
PUBLIC WATERS
LA SALLE COUNTY, SECTION 109 BR
STATION 79+04.42
STRUCTURE NO. 050-0246**