

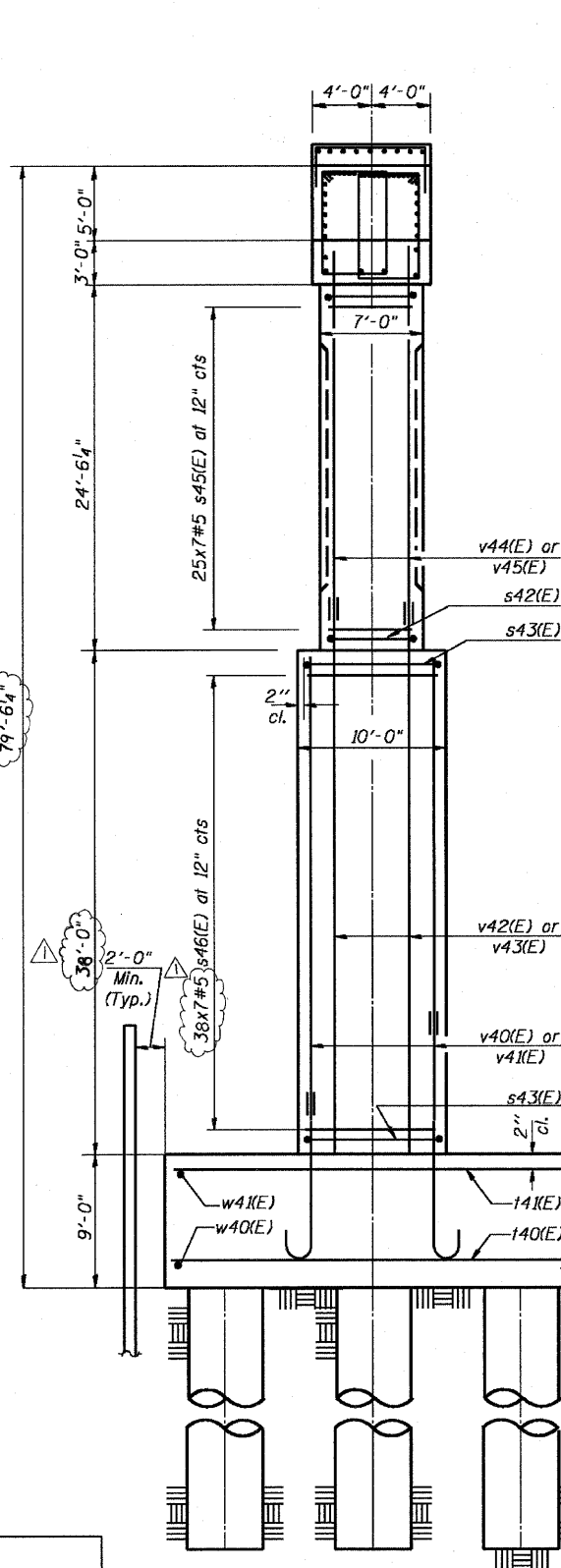
STATE OF ILLINOIS
DEPARTMENT OF TRANSPORTATION



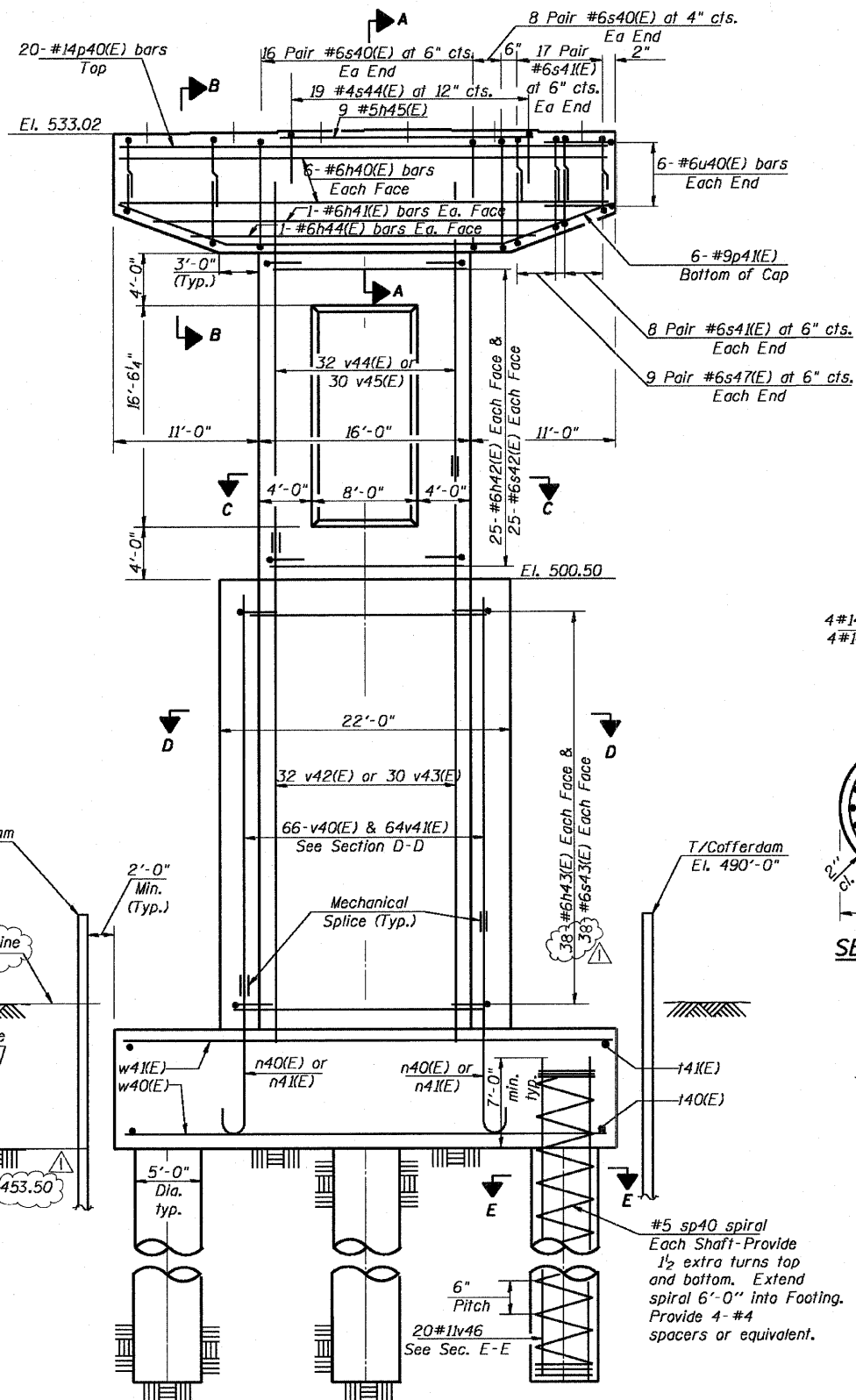
F.A.P. ROUTE NO.	SECTION	COUNTY	SHEETS	SHEET NO.
786	109 BR	La Salle	351	272
FED. ROAD DIST. NO.	ILLINOIS	FED. AID PROJECT		

SHEET NO. 72
89 SHEETS

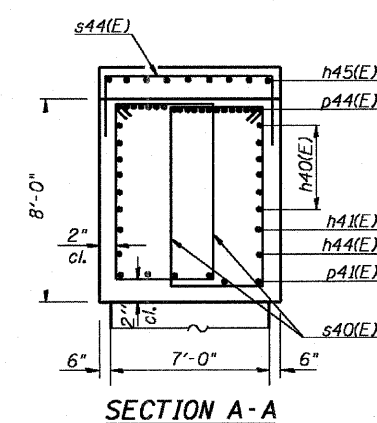
Contract # 66607



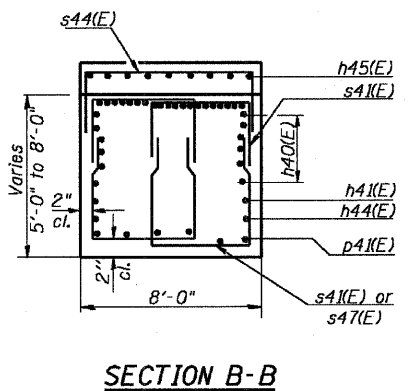
END VIEW



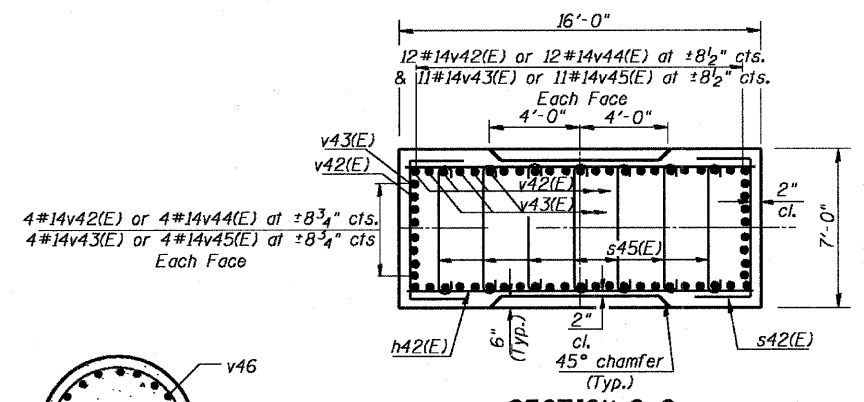
PIER 4 ELEVATION
(Looking - North)



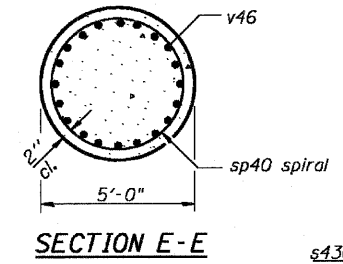
SECTION A-A



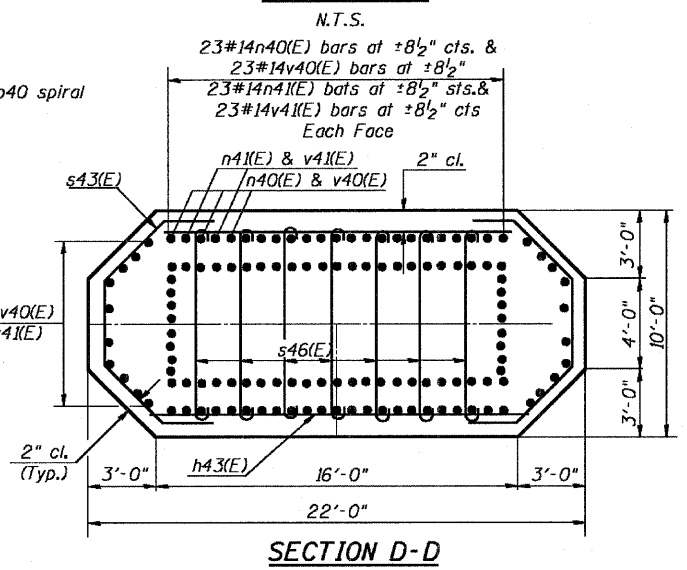
SECTION B-B



SECTION C-C



SECTION E-E



SECTION D-D

DESIGNED - RJC
CHECKED - DEV
DRAWN - JHR
CHECKED - DEV

REVIS 2/27/08

PIER 4
IL. 170 F.A.P. 786 OVER
ILLINOIS RIVER AT SENECA
PUBLIC WATERS
LA SALLE COUNTY, SECTION 109 BR
STATION 79+04.42
STRUCTURE NO. 050-0246