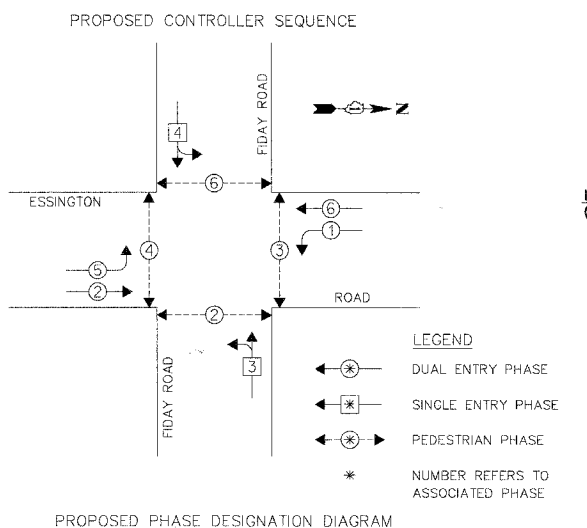
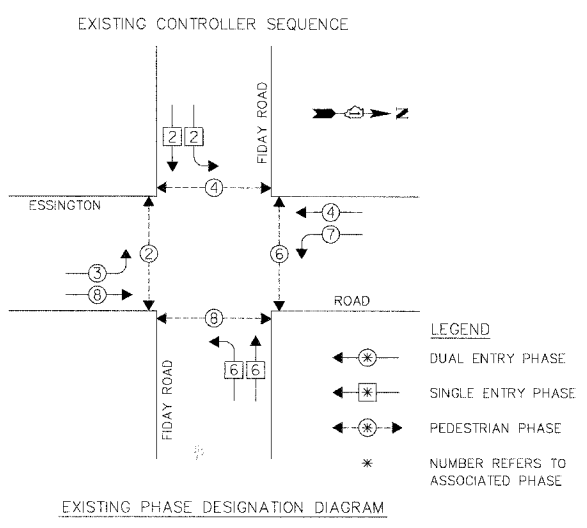


F.A.U. RTE.	SECTION	COUNTY	TOTAL SHEETS	SHEET NO.
326	05-00395-00-TL	WILL	31	20
STA.	TO STA.			
FED. ROAD DIST. NO.	ILLINOIS	FED. AID PROJECT		
CONTRACT NO: 83992				

**CABLE PLAN LEGEND**

EXISTING	PROPOSED	DESCRIPTION
⊙	⊙	8" (200mm) TRAFFIC SIGNAL SECTION
⊙	⊙	12" (300mm) TRAFFIC SIGNAL SECTION
⊙	⊙	12" (300mm) PEDESTRIAN SIGNAL SECTION
⊙	⊙	12" (300mm) PEDESTRIAN SIGNAL SECTION
⊙	⊙	CONTROLLER CABINET
⊙	⊙	SERVICE INSTALLATION
⊙	⊙	TELEPHONE INSTALLATION
⊙	⊙	VEHICLE DETECTOR, INDUCTION LOOP
⊙	⊙	MAGNETIC DETECTOR
⊙	⊙	EMERGENCY VEHICLE LIGHT DETECTOR
⊙	⊙	CONFIRMATION BEACON
⊙	⊙	PUSHBUTTON DETECTOR
⊙	⊙	DENOTES NUMBER OF CONDUCTORS. ALL CABLE NO. 14 EXCEPT AS INDICATED. ALL LOOP DETECTOR CABLE TO BE SHIELDED.
⊙	⊙	GROUND CABLE IN CONDUIT NO. 6 SOLID COPPER (GREEN)
⊙	⊙	FIBER OPTIC CABLE IN CONDUIT NO. 62.5/125 2-MM12F SM12F
⊙	⊙	SIGNAL FACE WITH BACKPLATE. "P" INDICATES PROGRAMMED HEAD.
⊙	⊙	RAILROAD CONTROL CABINET
⊙	⊙	ILLUMINATED SIGN "NO LEFT TURN"
⊙	⊙	ILLUMINATED SIGN "NO RIGHT TURN"
⊙	⊙	GROUND ROD AT HANDHOLE (H), DOUBLE HANDHOLE (H), OR CONTROLLER (C)
⊙	⊙	GROUND ROD AT POST (P) OR MAST ARM POLE (MA)
⊙	⊙	GROUND ROD AT ELECTRIC SERVICE INSTALLATION
⊙	⊙	RADIO ANTENNA
⊙	⊙	COAXIAL CABLE



RESTORATION OF WORK AREA, RESTORATION OF THE TRAFFIC SIGNAL WORK AREA SHALL BE INCIDENTAL TO THE RELATED PAY ITEM SUCH AS FOUNDATION, CONDUIT, HANDHOLE, TRENCH AND BACKFILL, ETC., AND NO EXTRA COMPENSATION SHALL BE ALLOWED. ALL ROADWAY SURFACES SUCH AS SHOULDERS, MEDIANS, SIDEWALKS, PAVEMENT, ETC. SHALL BE REPLACED IN KIND. ALL DAMAGE TO MOWED LAWNS SHALL BE REPLACED WITH AN APPROVED SOD, AND ALL DAMAGE TO UNMOWED FIELDS SHALL BE SEED IN ACCORDANCE WITH STANDARD SPECIFICATIONS 252 AND 250 RESPECTIVELY.

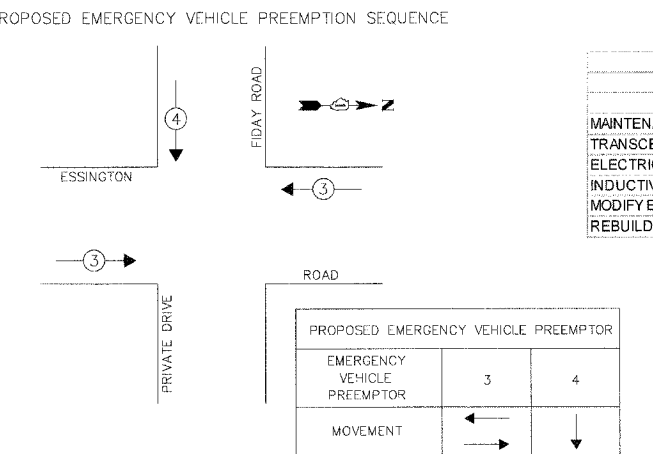
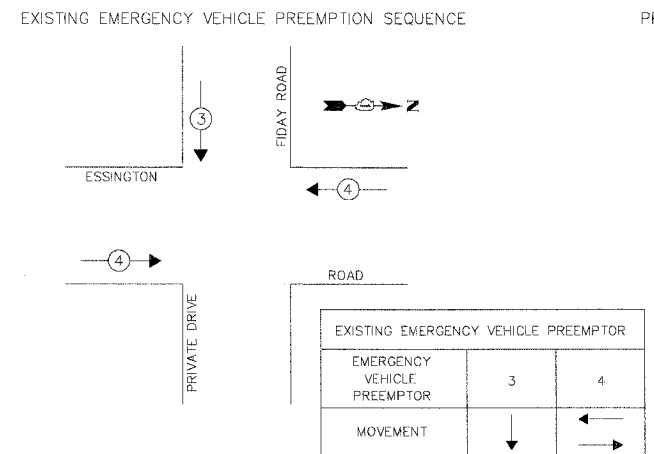
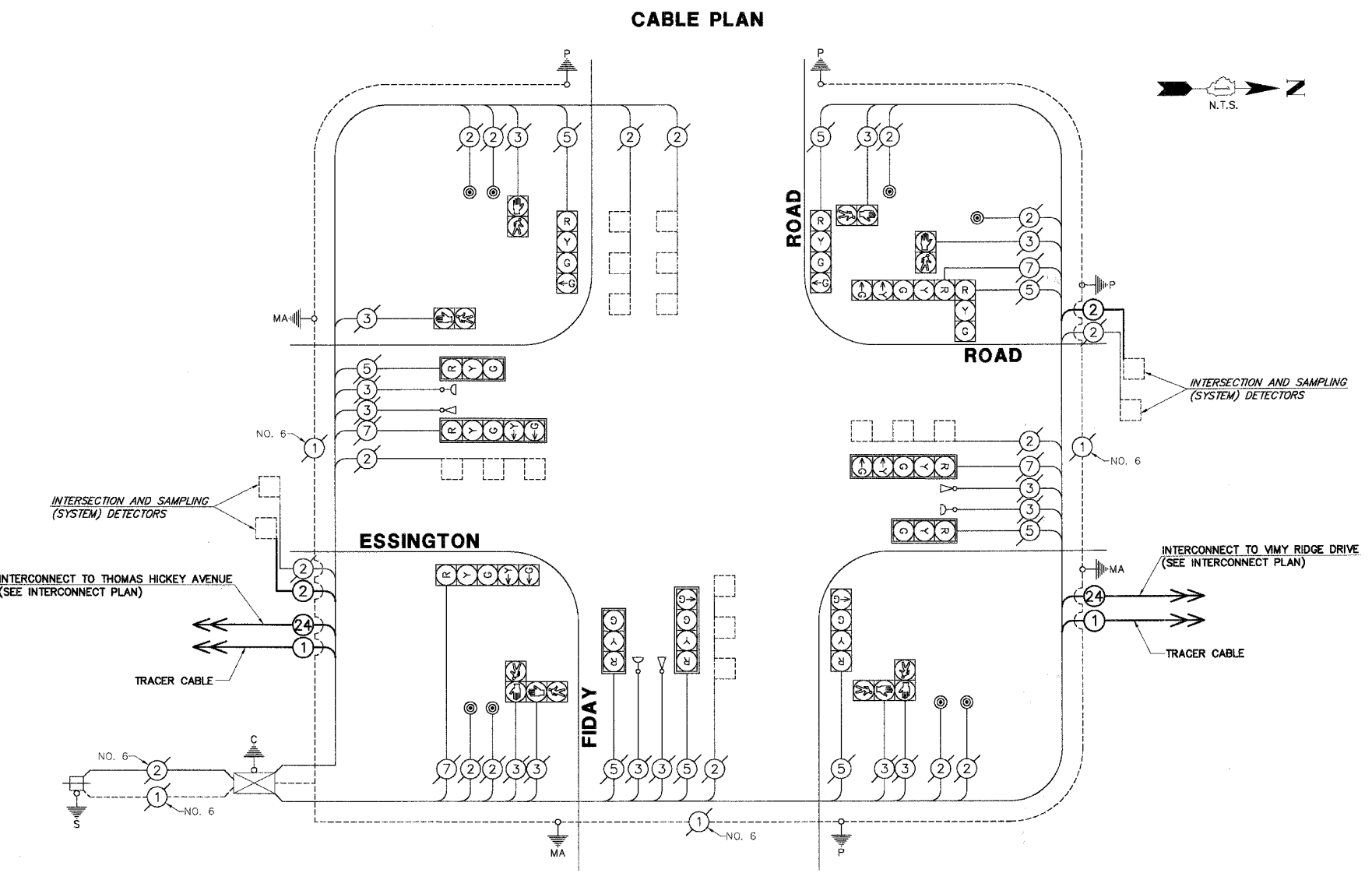
I.D.O.T. TRAFFIC SIGNAL INSTALLATION ELECTRICAL SERVICE REQUIREMENTS

TYPE	NO. OF LAMPS	WATTAGE	% OPERATION	TOTAL WATTAGE
SIGNAL (RED)	12	135	0.50	810.0
(YELLOW)	12	135	0.25	405.0
(GREEN)	12	135	0.25	405.0
ARROW	12	135	0.10	162.0
PED. SIGNAL	8	90	1.00	720.0
CONTROLLER	1	100	1.00	100.0

ENERGY COSTS TO: TOTAL = 2602.0

ILLINOIS DEPARTMENT OF TRANSPORTATION  
DIVISION OF HIGHWAY/DISTRICT 1  
201 WEST CENTER COURT  
SCHAUMBURG, ILLINOIS 60196-1096

ENERGY SUPPLY: CONTACT: BETTY BRULC  
PHONE: (815) 724-5052  
COMPANY: COMED



**ESSINGTON ROAD AT FIDAY ROAD SCHEDULE OF INTERSECTION QUANTITIES**

ITEM	UNIT	QUANTITY
MAINTENANCE OF EXISTING TRAFFIC SIGNAL INSTALLATION	EACH	1
TRANSCIVER	EACH	1
ELECTRIC CABLE IN CONDUIT, LEAD-IN, NO. 14 1 PAIR	FOOT	785
INDUCTIVE LOOP DETECTOR	EACH	2
MODIFY EXISTING CONTROLLER	EACH	1
REBUILD EXISTING HANDHOLE TO DOUBLE HANDHOLE	EACH	1

THE TRAFFIC SIGNAL CONTROL EQUIPMENT FOR THIS PROJECT SHALL BE "ECONOLITE."

FOUNDATION (DEPTH)	FT. (m)	CABLE SLACK	FT. (m)	VERTICAL	FT. (m)
TYPE A - POST	4 (1.2)	HANDHOLE	6.5 (2.0)	ALL FOUNDATIONS	3.5 (1.0)
D - CONTROLLER	4 (1.2)	DOUBLE HANDHOLE	13 (4.0)	MAST ARM (L) POLE	20 HL-2=
C - M. ARM POLE		SIGNAL POST	2 (1.0)	(6m+L-0.6m)=	
24" (600mm)	10 (3.0)	CONTROLLER CAB.	1 (0.5)	BRACKET MOUNTED	13 (4.0)
30" (750mm)	15 (4.6)	FIBER OPTIC	13 (4.0)	PED. PUSHBUTTON	4 (1.2)
36" (900mm)	15 (4.6)	ELECTRIC SERVICE	1 (0.5)	ELECTRIC SERVICE	13.5 (4.1)
		GROUND CABLE	1 (0.5)	SERVICE TO GROUND	13.5 (4.1)
				POST MOUNTED	6 (1.8)

PLANS PREPARED BY:  
**GEWALT HAMILTON ASSOCIATES, INC.**  
Consulting Engineers & Surveyors  
850 Forest Edge Drive  
Verona Hills, IL 60061  
(815) 478-9700  
(815) 478-9701 Fax

REVISIONS

NAME	DATE

ILLINOIS DEPARTMENT OF TRANSPORTATION

**SCHEDULE OF QUANTITIES, CABLE PLAN AND PHASE DESIGNATION DIAGRAM**

**ESSINGTON ROAD AT FIDAY ROAD**  
JOLIET, ILLINOIS

SCALE: N.T.S.  
DATE: DECEMBER 7, 2007

DRAWN BY: LB  
DESIGNED BY: TCM  
CHECKED BY: BLS