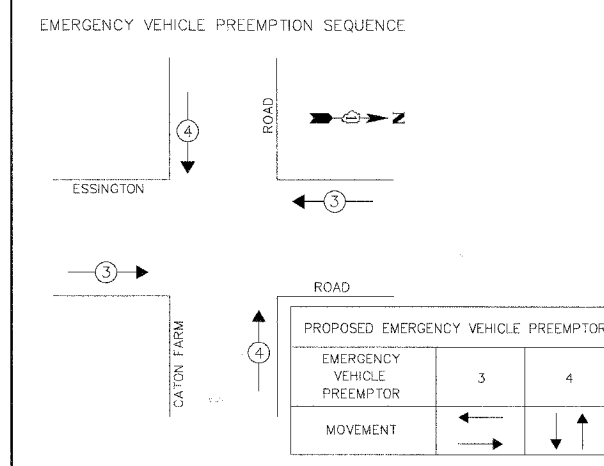
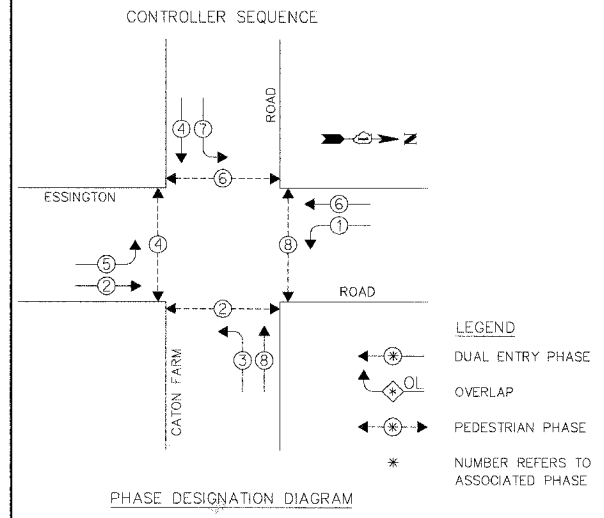


F.A.U. RTE.	SECTION	COUNTY	TOTAL SHEETS	SHEET NO.
326	05-00395-00-TL	WLL	31	24
STA.		TO STA.		
FED. ROAD DIST. NO.	ILLINOIS	FED. AID PROJECT		
CONTRACT NO: 83992				



RESTORATION OF WORK AREA. RESTORATION OF THE TRAFFIC SIGNAL WORK AREA SHALL BE INCIDENTAL TO THE RELATED PAY ITEM SUCH AS FOUNDATION, CONDUIT, HANDHOLE, TRENCH AND BACKFILL, ETC., AND NO EXTRA COMPENSATION SHALL BE ALLOWED. ALL ROADWAY SURFACES SUCH AS SHOULDERS, MEDIANS, SIDEWALKS, PAVEMENT, ETC. SHALL BE REPLACED IN KIND. ALL DAMAGE TO MOWED LAWNS SHALL BE REPLACED WITH AN APPROVED SOD, AND ALL DAMAGE TO UNMOWED FIELDS SHALL BE SEEDING IN ACCORDANCE WITH STANDARD SPECIFICATIONS 252 AND 250 RESPECTIVELY.

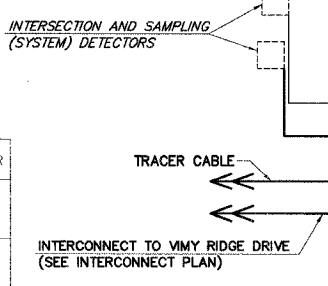
TRAFFIC SIGNAL INSTALLATION ELECTRICAL SERVICE REQUIREMENTS					TOTAL WATTAGE
TYPE	NO. OF LAMPS	WATTAGE INCAND.	LED	% OPERATION	
SIGNAL (RED)	16	135		0.50	1080.0
(YELLOW)	16	135		0.25	540.0
(GREEN)	16	135		0.25	540.0
ARROW	16	135		0.10	216.0
PED. SIGNAL	8	90		1.00	720.0
CONTROLLER	1	100		1.00	100.0
TOTAL =					3196.0

ENERGY COSTS TO: TOTAL = 3196.0

ILLINOIS DEPARTMENT OF TRANSPORTATION
 DIVISION OF HIGHWAY/DISTRICT 1
 201 WEST CENTER COURT
 SCHAUMBURG, ILLINOIS 60196-1096

ENERGY SUPPLY: CONTACT: BETTY BRULC
 PHONE: (815) 724-5052
 COMPANY: COMED

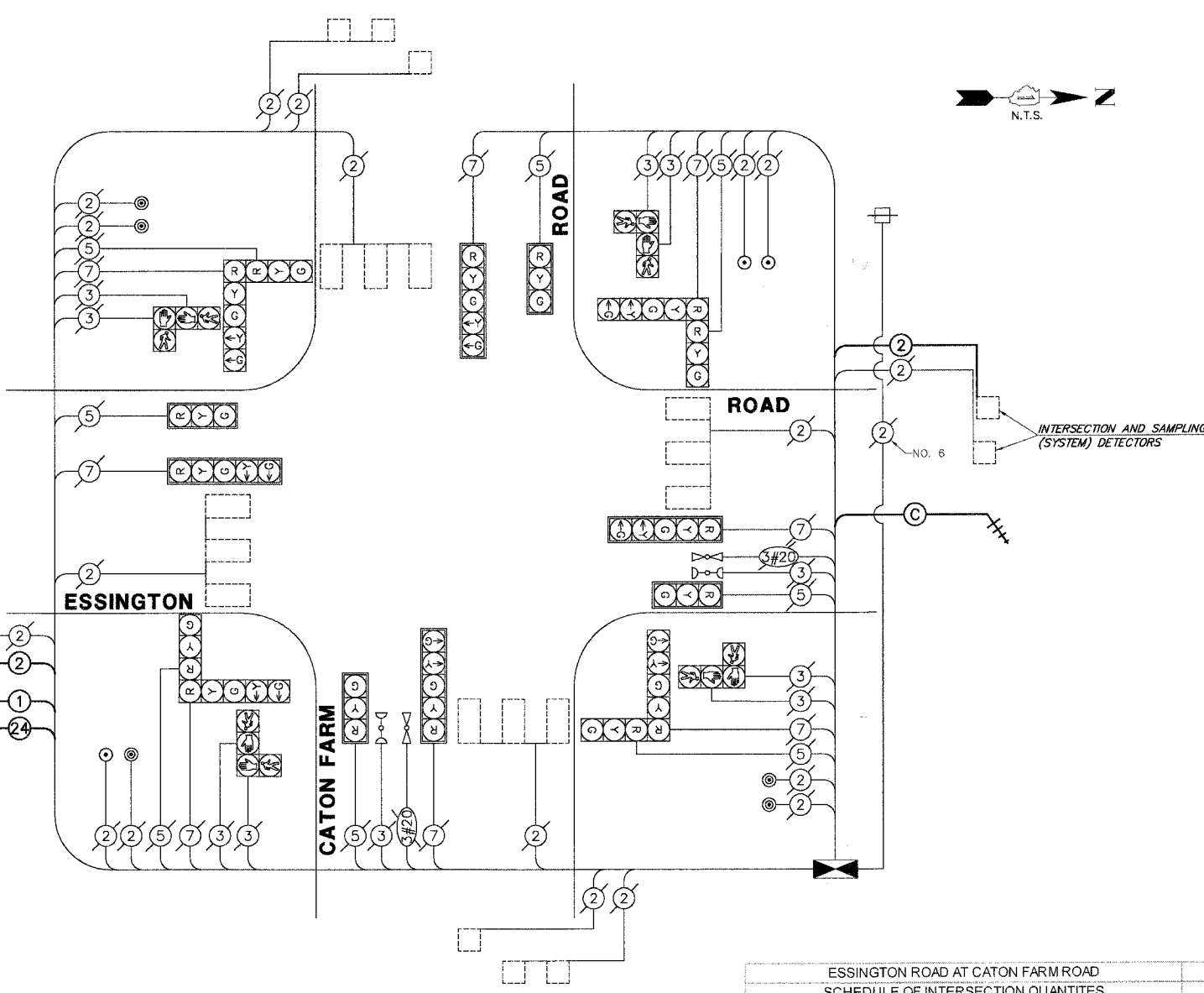
FOUNDATION (DEPTH)	FT. (m)	CABLE SLACK	FT. (m)	VERTICAL	FT. (m)
TYPE A - POST	4 (1.2)	HANDHOLE	6.5 (2.0)	ALL FOUNDATIONS	3.5 (1.0)
D - CONTROLLER	4 (1.2)	DOUBLE HANDHOLE	13 (4.0)	MAST ARM (L) POLE	20' L-2 =
C - M. ARM POLE		SIGNAL POST	2 (1.0)	(6m+L-0.6m) =	
24" (600mm)	10 (3.0)	CONTROLLER CAB.	1 (0.5)	BRACKET MOUNTED	13 (4.0)
30" (750mm)	15 (4.6)	FIBER OPTIC	13 (4.0)	PED. PUSHBUTTON	4 (1.2)
36" (900mm)	15 (4.6)	ELECTRIC SERVICE	1 (0.5)	ELECTRIC SERVICE	13.5 (4.1)
		GROUND CABLE	1 (0.5)	SERVICE TO GROUND	13.5 (4.1)
				POST MOUNTED	6 (1.8)



THE TRAFFIC SIGNAL CONTROL EQUIPMENT FOR THIS PROJECT SHALL BE "ECONOLITE."

NEW CABINETS SHALL HAVE FRONT AND BACK DOORS AND A SEPARATE CIRCUIT BREAKER FOR STREET LIGHTING.

CABLE PLAN



ESSINGTON ROAD AT CATON FARM ROAD SCHEDULE OF INTERSECTION QUANTITIES		
ITEM	UNIT	QUANTITY
SIGN PANEL - TYPE I	SQ FT	1.94
MAINTENANCE OF EXISTING TRAFFIC SIGNAL INSTALLATION	EACH	1
FULL-ACTUATED CONTROLLER AND TYPE IV CABINET, SPECIAL	EACH	1
TRANSCEIVER	EACH	1
ELECTRIC CABLE IN CONDUIT, LEAD-IN, NO. 14 1 PAIR	FOOT	639
ELECTRIC CABLE IN CONDUIT, COAXIAL	FOOT	101
INDUCTIVE LOOP DETECTOR	EACH	10
LIGHT DETECTOR AMPLIFIER	EACH	1
PEDESTRIAN PUSHBUTTON	EACH	3
MODIFY EXISTING CONTROLLER	EACH	1
REMOVE EXISTING TRAFFIC SIGNAL EQUIPMENT	EACH	1
REBUILD EXISTING HANDHOLE TO DOUBLE HANDHOLE	EACH	1

CABLE PLAN LEGEND

EXISTING	PROPOSED	DESCRIPTION
⊖	⊖	8" (200mm) TRAFFIC SIGNAL SECTION
⊖	⊖	12" (300mm) TRAFFIC SIGNAL SECTION
⊖	⊖	12" (300mm) PEDESTRIAN SIGNAL SECTION
⊖	⊖	12" (300mm) PEDESTRIAN SIGNAL SECTION
⊖	⊖	CONTROLLER CABINET
⊖	⊖	SERVICE INSTALLATION
⊖	⊖	TELEPHONE INSTALLATION
⊖	⊖	VEHICLE DETECTOR, INDUCTION LOOP
⊖	⊖	MAGNETIC DETECTOR
⊖	⊖	EMERGENCY VEHICLE LIGHT DETECTOR
⊖	⊖	CONFIRMATION BEACON
⊖	⊖	PUSHBUTTON DETECTOR
⊖	⊖	⊖ DENOTES NUMBER OF CONDUCTORS. ALL CABLE NO. 14 EXCEPT AS INDICATED. ALL LOOP DETECTOR CABLE TO BE SHIELDED.
⊖	⊖	⊖ GROUND CABLE IN CONDUIT NO. 6 SOLID COPPER (GREEN)
⊖	⊖	⊖ FIBER OPTIC CABLE IN CONDUIT NO. 62.5/125 2-MM12F SM12F
⊖	⊖	⊖ SIGNAL FACE WITH BACKPLATE. "P" INDICATES PROGRAMMED HEAD.
⊖	⊖	⊖ RAILROAD CONTROL CABINET
⊖	⊖	⊖ ILLUMINATED SIGN "NO LEFT TURN"
⊖	⊖	⊖ ILLUMINATED SIGN "NO RIGHT TURN"
H/C	C	GROUND ROD AT HANDHOLE (H), DOUBLE HANDHOLE (H), OR CONTROLLER (C)
P	P	GROUND ROD AT POST (P) OR MAST ARM POLE (MA)
S	S	GROUND ROD AT ELECTRIC SERVICE INSTALLATION
++	++	RADIO ANTENNA
⊖	⊖	⊖ COAXIAL CABLE

PLANS PREPARED BY:
GEWALT HAMILTON ASSOCIATES, INC.
 Consulting Engineers & Surveyors
 800 Forest Edge Drive
 Vernon Hills, IL 60061
 (815) 478-9700
 (815) 478-9701 Fax

REVISIONS	
NAME	DATE

ILLINOIS DEPARTMENT OF TRANSPORTATION

SCHEDULE OF QUANTITIES, CABLE PLAN AND PHASE DESIGNATION DIAGRAM

ESSINGTON ROAD AT CATON FARM ROAD
 JOLIET, ILLINOIS

SCALE: N.T.S.
 DATE: DECEMBER 7, 2007

DRAWN BY: LB
 DESIGNED BY: TCM
 CHECKED BY: BLS