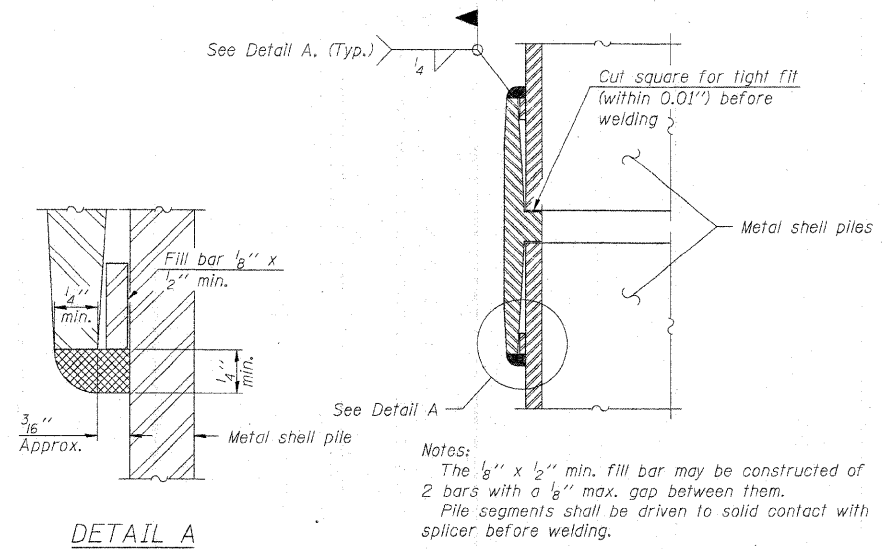


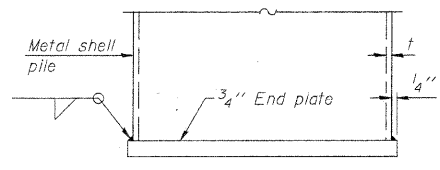
METAL SHELL PILE TABLE

Designation	Wall thickness t	Weight per foot (Lbs./ft.)	Inside volume (yd. ³ /ft.)	Encasement diameter A
PP12	0.250"	31.37	0.0267	26"
PP14	0.250"	36.71	0.0368	N/A

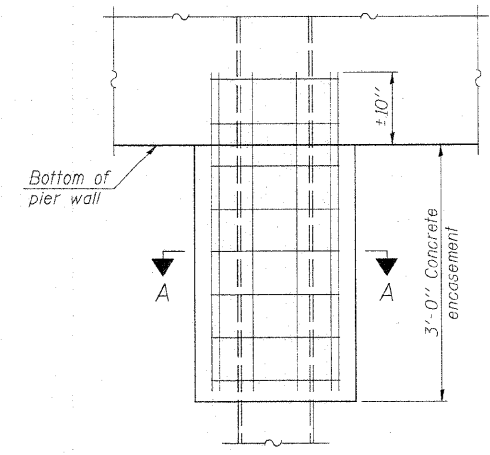


DETAIL A

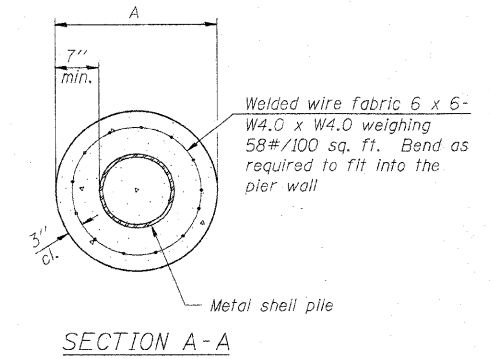
WELDED COMMERCIAL SPLICE



END PLATE ATTACHMENT



ELEVATION

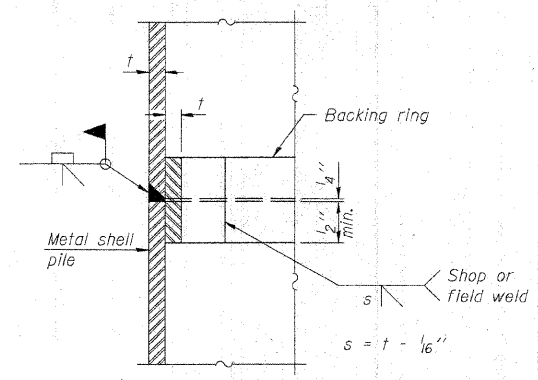


SECTION A-A

Notes:
See Metal Shell Pile Table for dimension "A".
Forms for encasement may be omitted when soil conditions permit.

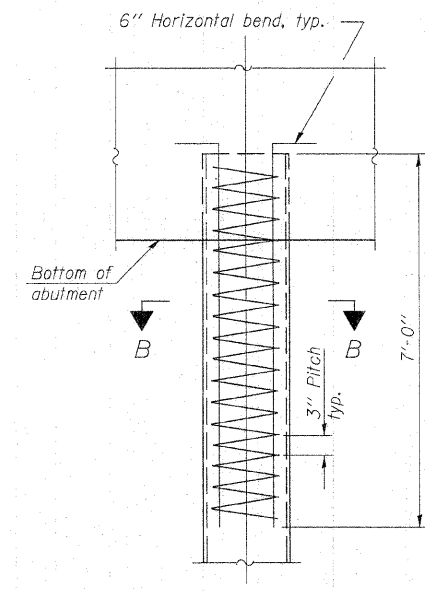
CONCRETE ENCASUREMENT AT PIERS

Concrete Encasement will be paid for as Concrete Structures. The cost of excavation and reinforcement is incidental to Concrete Structures.



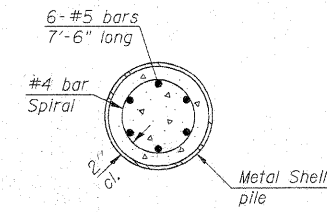
COMPLETE PENETRATION WELD SPLICE

Backing ring made from pile shell. Remove segment to allow reducing circumference and vertically rejoin with partial joint penetration weld.



ELEVATION

METAL SHELL REINFORCEMENT AT ABUTMENTS



SECTION B-B

NOTES:
The metal shell piles shall be according to ASTM A 252 Grade 3.

1 REVISED 2/28/08

Corporate License Number 184-001-084

METAL SHELL PILE DETAILS

FAIRVIEW DRIVE BRIDGE OVER SOUTH BRANCH OF KISHWAUKEE RIVER
FAU 5345
SECTION 04-00166-00-BR
DEKALB, ILLINOIS
STRUCTURE NUMBER 019-6106
STATION 18+34.34

© Copyright Hanson Professional Services Inc. 2007

JOB NO. 06R1555
DATE 11/05/07



1:31:40 PM 02/28/2008 01:31 PM
 R:\06\Jobs\06R1555\Cad\Struct\Sheet\S 04-MSP1.dgn
 LAY/OUT 01/04/07
 DRAWN 01/04/07
 REVIEWED JR 10/19/07