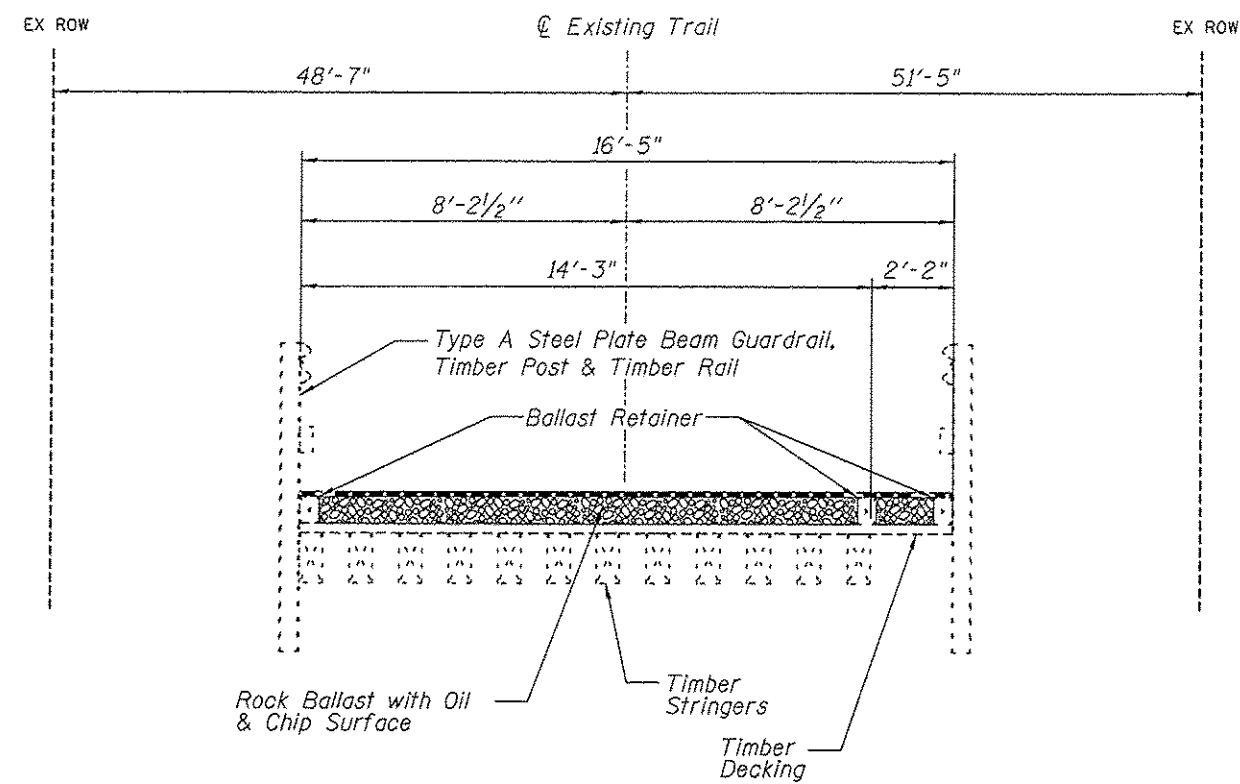


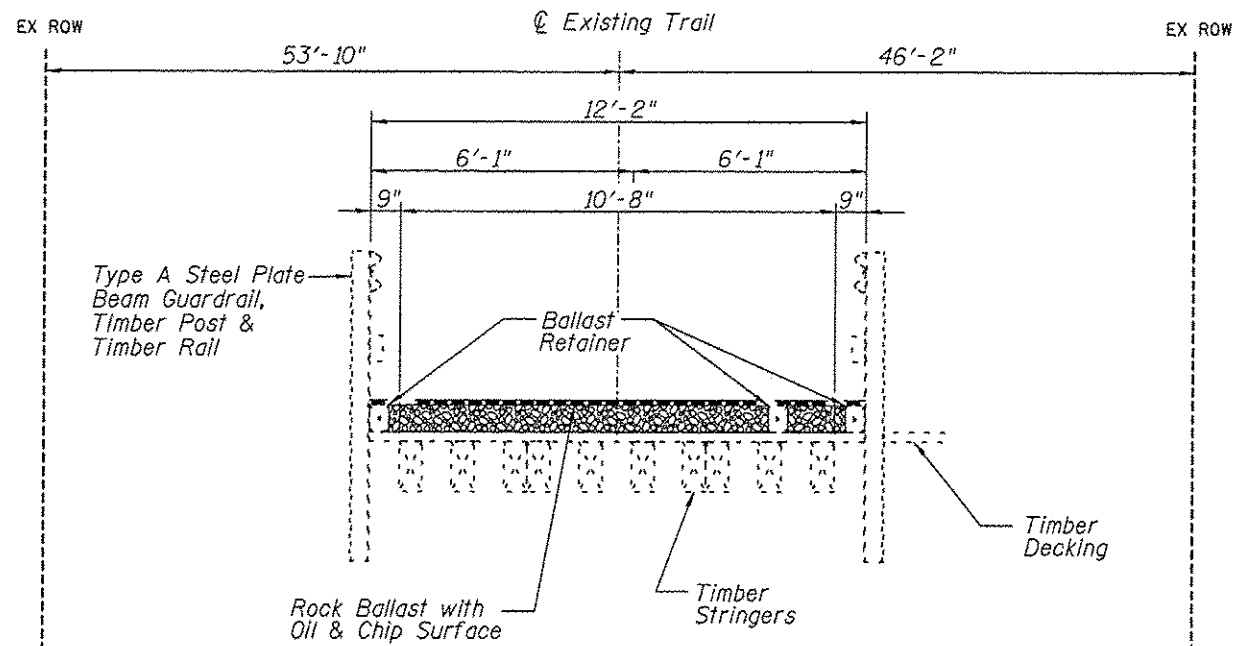
**EXISTING TYPICAL SECTION - STRUCTURE NO. 1**  
(Looking East)

STA. 107+78.88 TO STA. 108+82.95



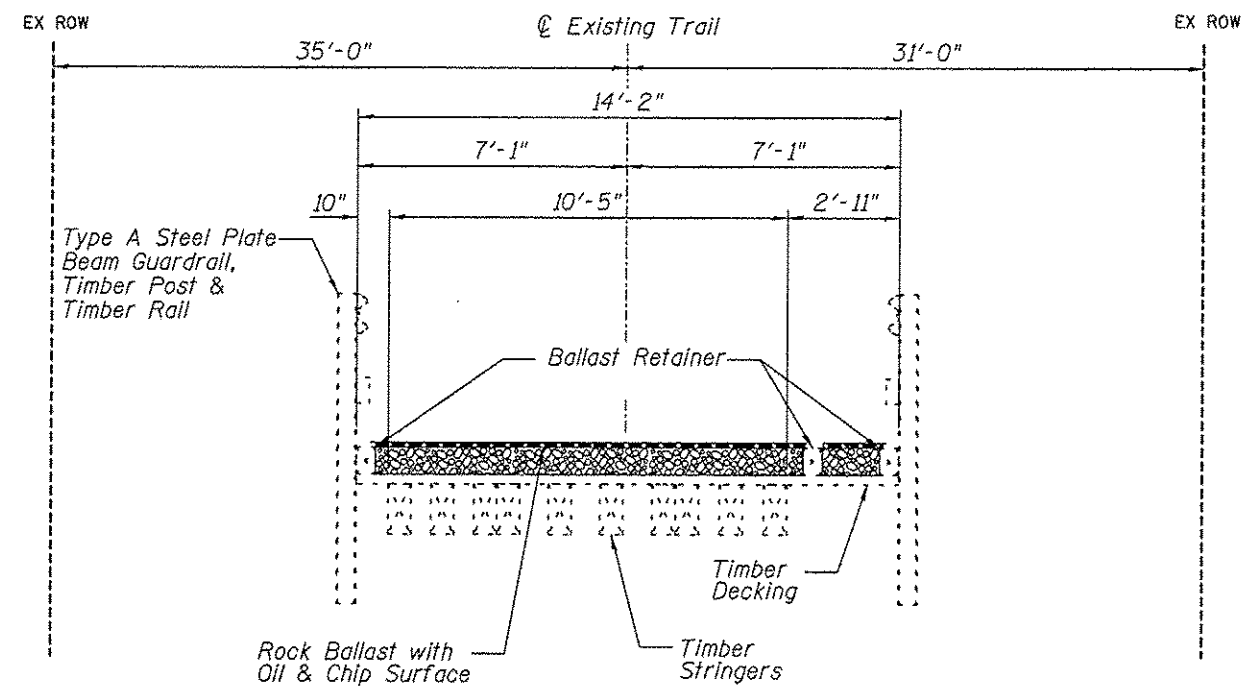
**EXISTING TYPICAL SECTION - STRUCTURE NO. 2**  
(Looking East)

STA. 117+96.64 TO STA. 118+97.65



**EXISTING TYPICAL SECTION - STRUCTURE NO. 3**  
(Looking North)

STA. 156+91.80 TO STA. 157+71.00



**EXISTING TYPICAL SECTION - STRUCTURE NO. 4**  
(Looking North)

STA. 166+98.17 TO STA. 167+64.34

FILE NAME * Typ-ex.dgn	USER NAME * jeremy	DESIGNED - SAS	REVISED -	<b>MADISON COUNTY TRANSIT DISTRICT HERITAGE BIKEWAY</b>	<b>EXISTING BRIDGE TYPICAL SECTIONS</b>		F.A. RTE.	SECTION	COUNTY	TOTAL SHEETS	SHEET NO.
		DRAWN - JDH	REVISED -		SCALE: N.T.S.	SHEET NO. 2 OF 5 SHEETS	06-00016-00-BT	MADISON	310	5	
		CHECKED - WJB	REVISED -								
		DATE - 11/30/12	REVISED -								
							FED. ROAD DIST. NO.	ILLINOIS FED. AID PROJECT			CONTRACT NO. 97433