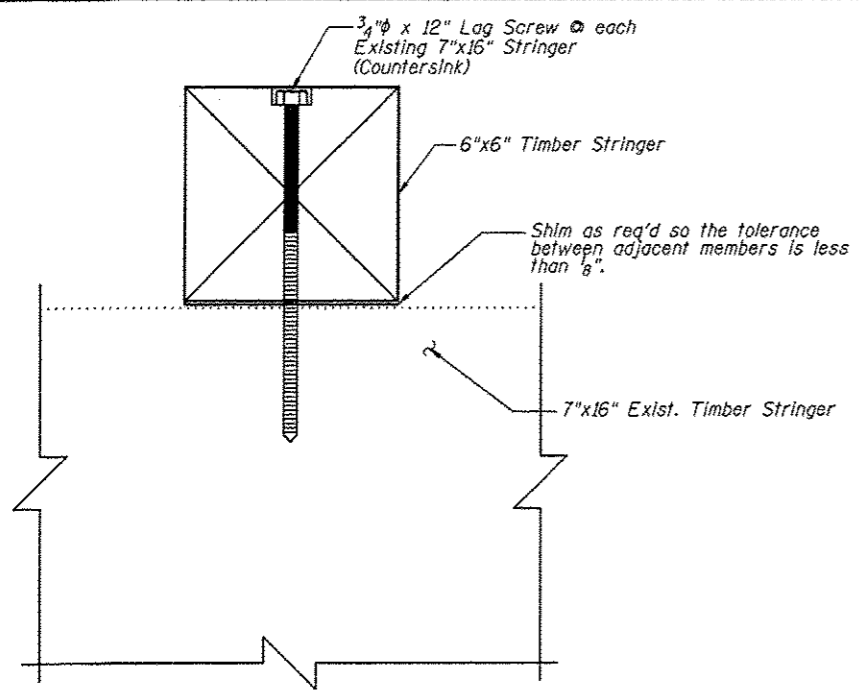
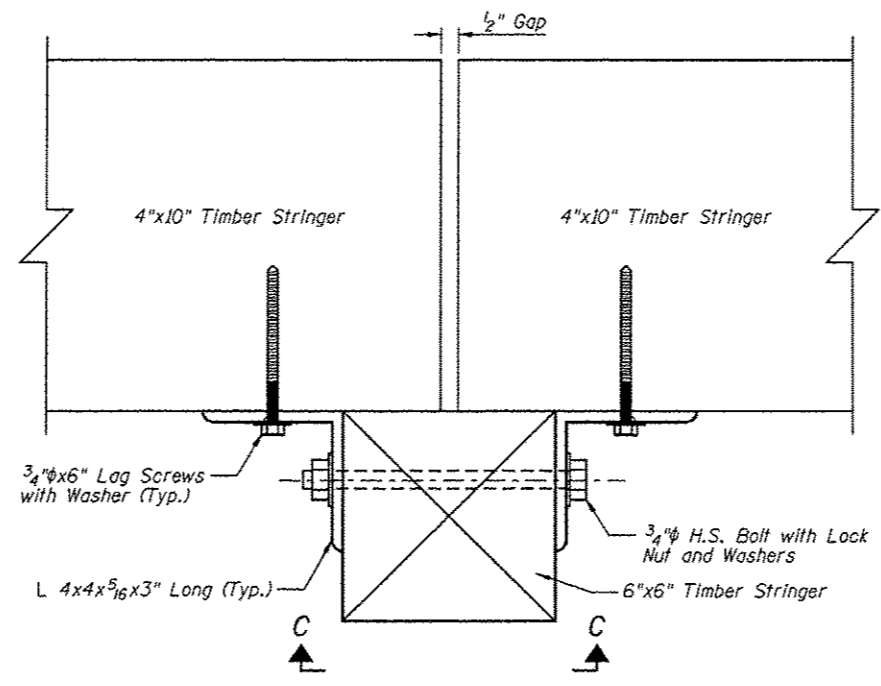


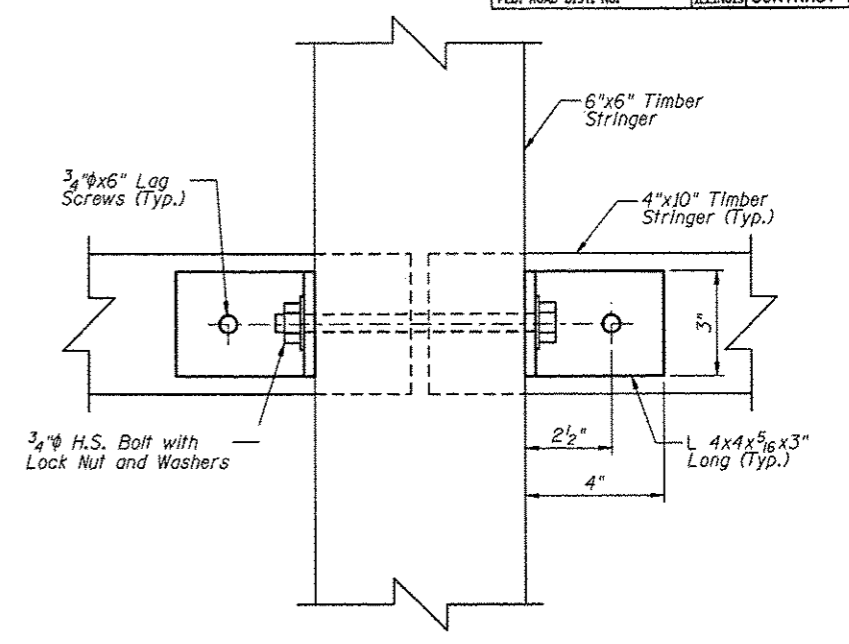
F.A.J. RTE.	SECTION	COUNTY	TOTAL SHEETS	SHEET NO.
	06-00016-00-BT	MADISON	310	151
FED. ROAD DIST. NO.	ILLINOIS CONTRACT NO. 97433			



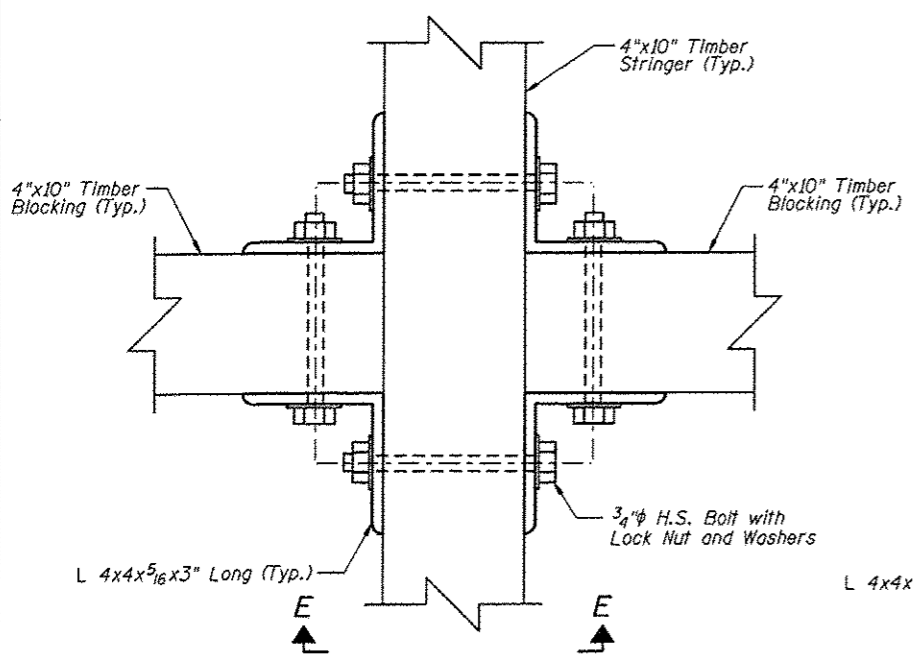
SECTION A-A



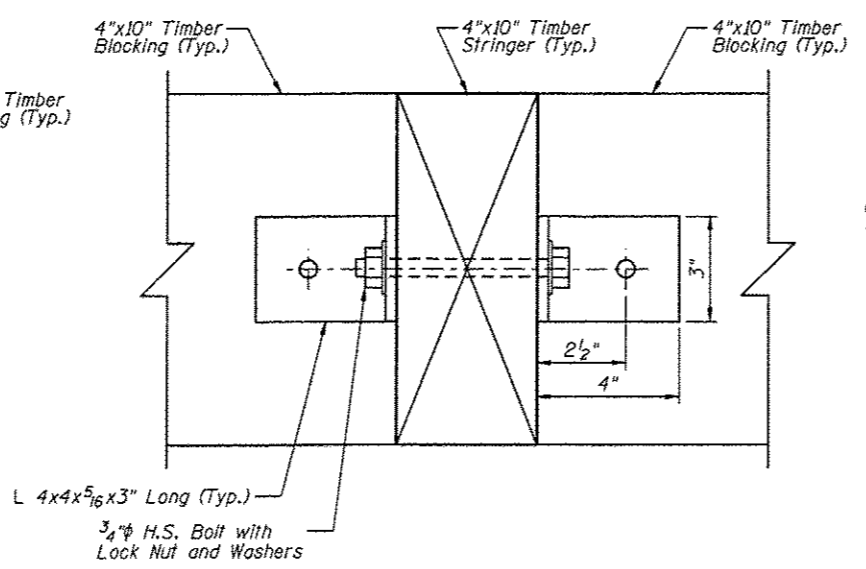
SECTION B-B  
(Section G-G Similar)



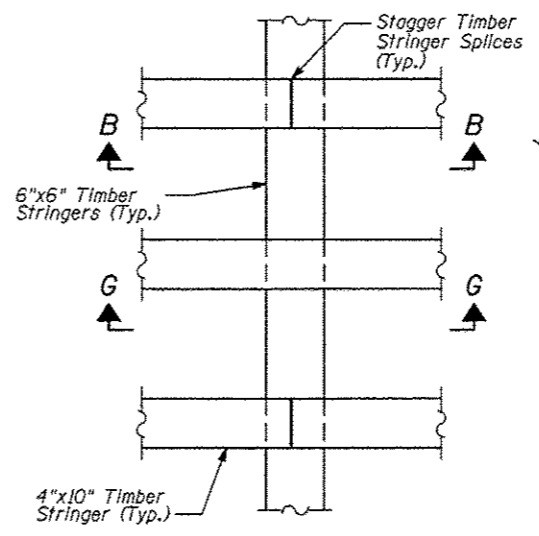
SECTION C-C



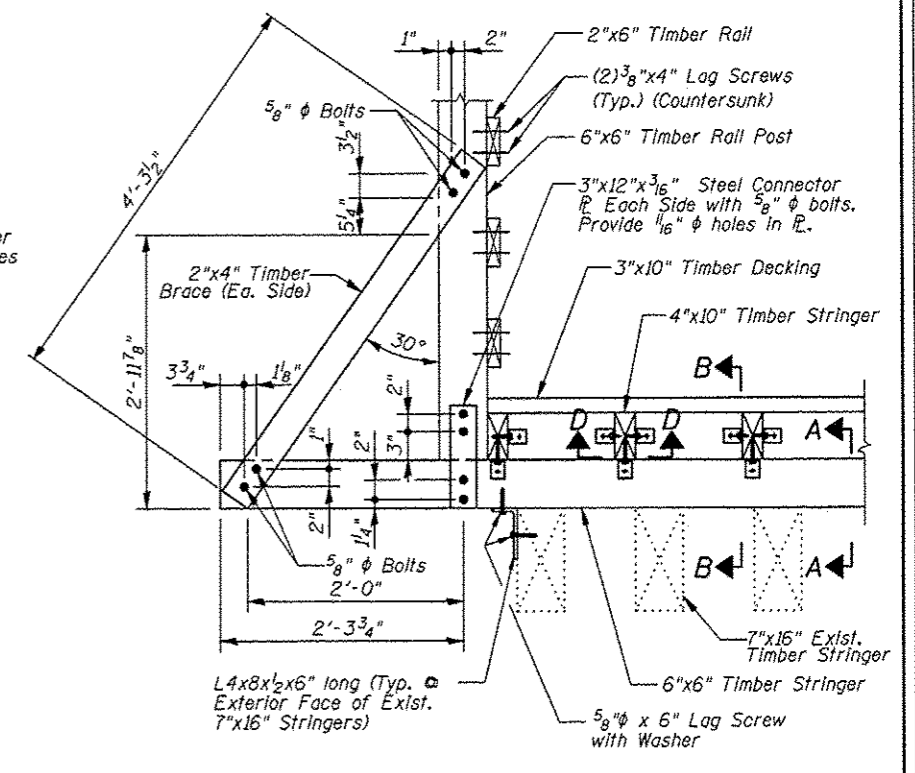
SECTION D-D



SECTION E-E



DETAIL A



DETAIL B

**SUPERSTRUCTURE  
BILL OF MATERIAL**

Item	Unit	Quantity
Treated Timber	F.B.M.	10538

Note:

All new timber members shown shall be included in the pay item Treated Timber.

<b>Juneau Associates, Inc. P.C.</b> CONSULTING ENGINEERS AND LAND SURVEYORS 1100 South Vermont P.O. Box 1120 Granite City, Illinois 62040 Phone: (618) 431-1400 Fax: (618) 431-0141		<b>GLEN CARBON HERITAGE BIKE TRAIL OVER JUDY BRANCH MADISON COUNTY STATION 108+17.70 STRUCTURE NO. 1</b>	
<b>REVISIONS</b> NO. DATE BY REMARKS		<b>SCALE:</b> NOT TO SCALE, FOLLOW DIMENSIONS	
DSN. BY: DB DATE: 10/18/12 DWN. BY: EER DATE: 10/18/12 CHK'D: WHH DATE: 10/18/12		<b>SHEET</b> 151	
<b>DGN NAME:</b>		<b>JOB NO. E064403 DGN NO. OF 810 SHEETS</b>	

Printed 10/20/12 12/18/2012 M:\STRUCTURE\Drawings\Structure - 07-2012\040458 Connection Details.dgn