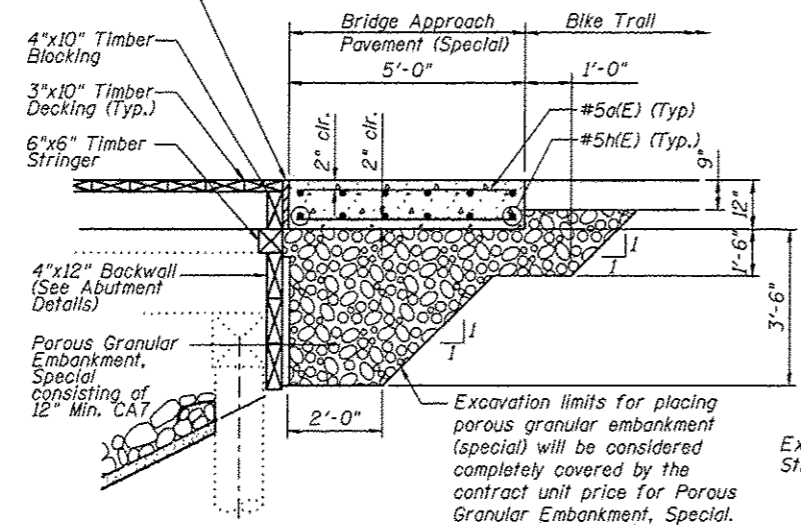
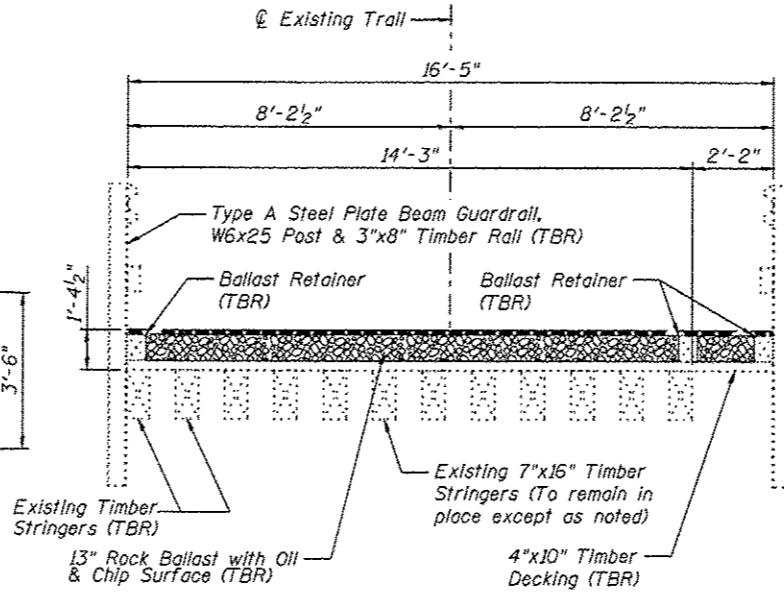


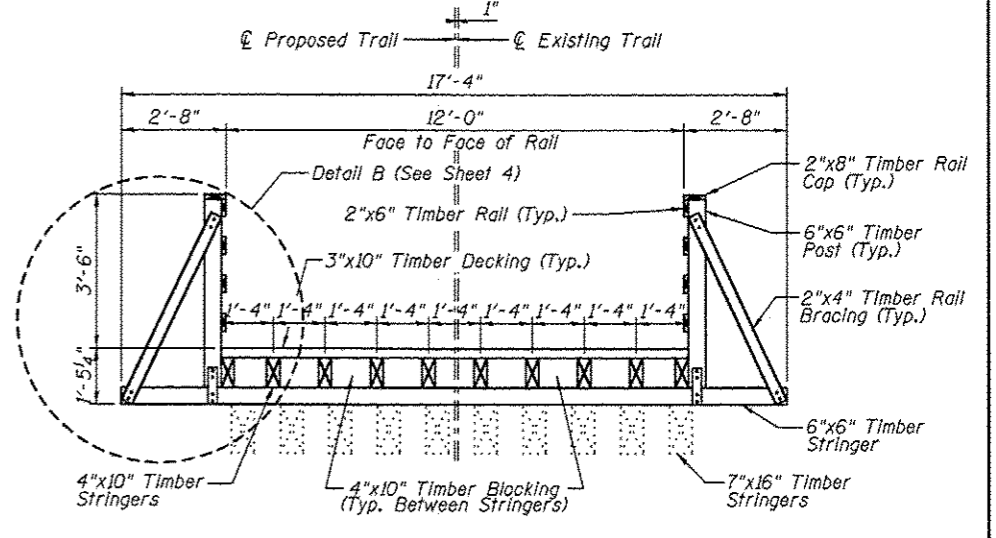
1" Preformed Joint Filler in accordance with Section 1051 of the Standard Specifications. Cost included with Bridge Approach Pavement (Special)



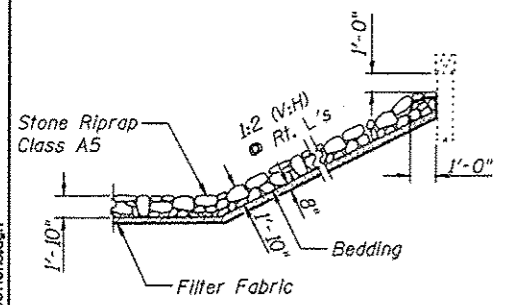
BRIDGE APPROACH PAVEMENT (SPECIAL) DETAIL



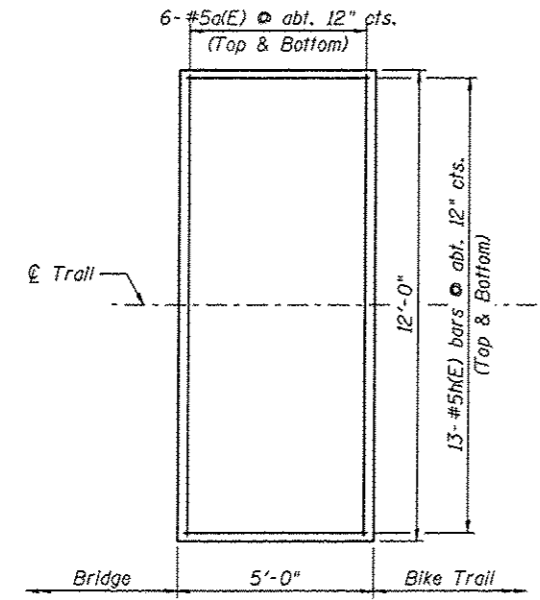
EXISTING CROSS SECTION (Looking East)



PROPOSED CROSS SECTION (Looking East)

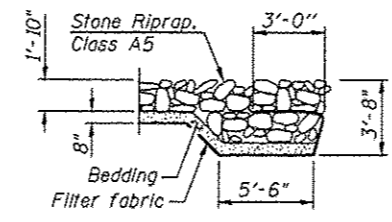


STONE RIPRAP DETAIL



BRIDGE APPROACH PAVEMENT (SPECIAL) PLAN

Note: 276 Lbs. of epoxy coated reinforcement bars



SECTION A-A

BRIDGE APPROACH BILL OF MATERIAL

Item	Unit	Quantity
Porous Granular Embankment, Special	Cu. Yd.	17

Note:
 All dimensions are approximate.
 For Treated Timber quantity, see Sheet No. 4
 All new timber members shown shall be included in the pay item Treated Timber.
 All items determined by the Engineer to have salvageable value, including the Type A Steel Plate Beam Guardrail, W6x25 Posts, 3"x8" Timber Rail and 7"x16" Timber Stringers in good condition, shall be transported and stored at locations and in a manner approved by the Engineer.

Juneau Associates, Inc. P.C. CONSULTING ENGINEERS AND LAND SURVEYORS 2100 State Street, P.O. Box 1200 Granite City, Illinois 62040 Phone: (618) 518-1100 Fax: (618) 518-2441		GLEN CARBON HERITAGE BIKE TRAIL OVER JUDY BRANCH MADISON COUNTY STATION 118+47.70 STRUCTURE NO. 2	
REVISIONS NO. DATE BY REMARKS		SCALE: NOT TO SCALE, FOLLOW DIMENSIONS	
DSN. BY: OB DATE: 10/18/12		SHEET: 161	
DWN. BY: EER DATE: 10/18/12		OF 310 SHEETS	
CHK'D: WWH DATE: 10/18/12			
DGN NAME:		JOB NO. E064403 DGN. NO.	

Printed 10/04/12 AM 12/19/2012 W:\STRUCTURE\Drawings\Structure *02\Proposed Structure 07-2020\03\061 Cross Sections.dgn