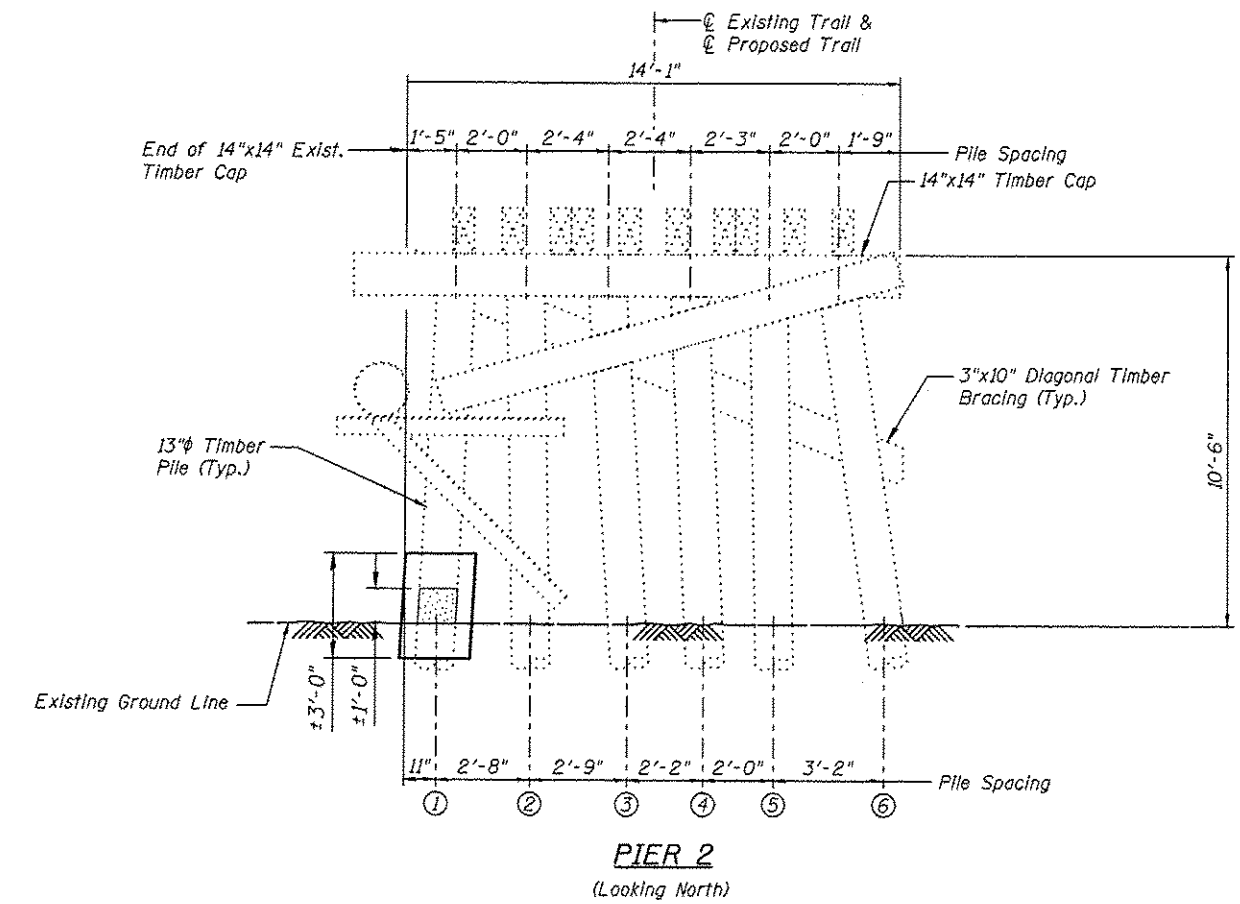


Payment for furnishing all material, labor and excavation necessary to construct the Concrete Encasement, including the casing, lag screws, concrete, reinforcement bars, bar splicers, removal of deteriorated timber and all other appurtenances and incidental work as shown on this sheet, complete in place, will be considered completely covered by the contract unit price per cubic yard for Concrete Encasement.

**CONCRETE ENCASEMENT DETAILS**



**PIER 2  
BILL OF MATERIAL**

Item	Unit	Quantity
Concrete Encasement	Cu Yd	0.4

For estimated quantities, see Special Provisions.

**Notes:**

All dimensions are approximate.  
Concrete Encasement shall extend above and below the damaged area of the pile a minimum of 1'-0".

		<b>PIER 2 DETAILS</b>	
Juneau Associates, Inc. P.C. CONSULTING ENGINEERS AND LAND SURVEYORS 2100 State Street, P.O. Box 1025 Granite City, Illinois 62040 Phone: (618) 337-4500 Fax: (618) 337-4511		GLEN CARBON HERITAGE BIKE TRAIL OVER JUDY BRANCH MADISON COUNTY STATION 157+37.45 STRUCTURE NO. 3	
<b>REVISIONS</b>		<b>SCALE:</b> NOT TO SCALE, FOLLOW DIMENSIONS	
NO.	DATE	BY	REMARKS
DSN: BY: DB      DATE: 10/18/12		SHEET: 177	
DWN: BY: EER      DATE: 10/18/12		OF 310 BRGS	
CHR'D: WWH      DATE: 10/18/12		DGN NAME:	
JOB NO. E064403		DGN NO.	