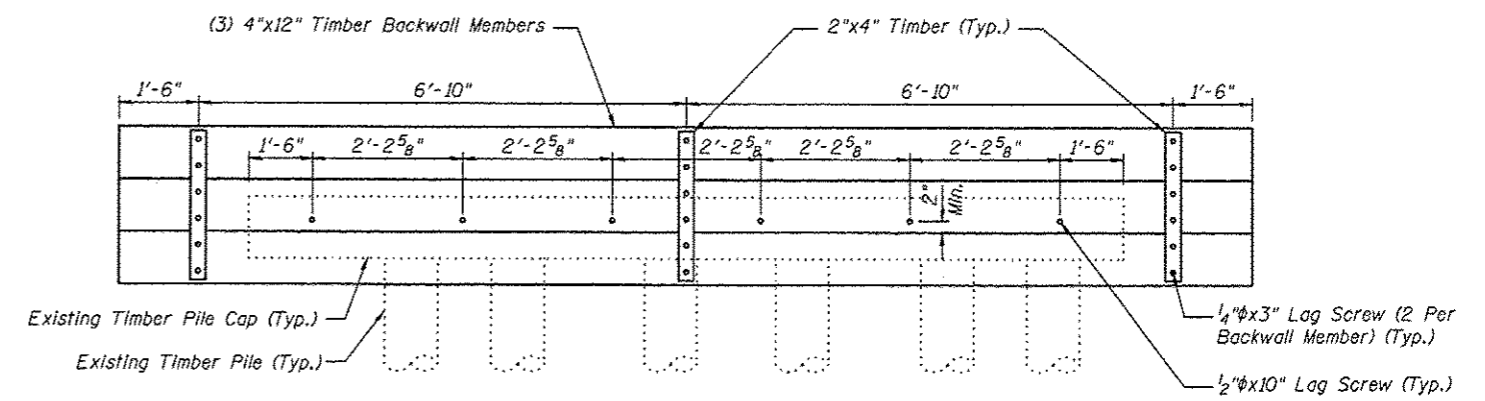


NORTH ABUTMENT
(Looking North)



NORTH ABUTMENT
(Looking North)

**NORTH ABUTMENT
BILL OF MATERIAL**

Item	Unit	Quantity
Treated Timber	F.B.M.	206

Note:
All dimensions are approximate.
All new timber members shown shall be included in the pay item Treated Timber.

Juneau Associates, Inc. P.C. <small>CONSULTING ENGINEERS AND LAND SURVEYORS</small> 2100 Shea Street, P.O. Box 1335 Granite City, Illinois 62040 Phone: (618) 383-1400 Fax: (618) 383-0511		GLEN CARBON HERITAGE BIKE TRAIL OVER JUDY BRANCH MADISON COUNTY STATION 157+37.45 STRUCTURE NO. 3	
REVISIONS NO. DATE BY REMARKS		SCALE: NOT TO SCALE, FOLLOW DIMENSIONS	
DSN BY: DB DATE: 10/18/12		SHEET: 180	
DWN BY: EER DATE: 10/18/12		JOB NO. E064403 DGN NO.	
CHK'D: WWH DATE: 10/18/12		OF 310 SHEETS	
DGN NAME:			