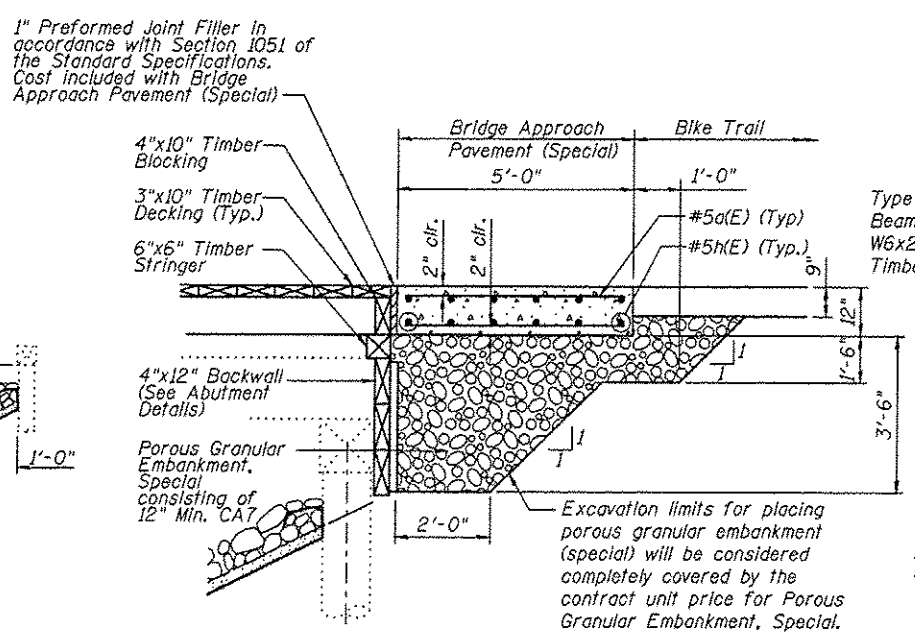
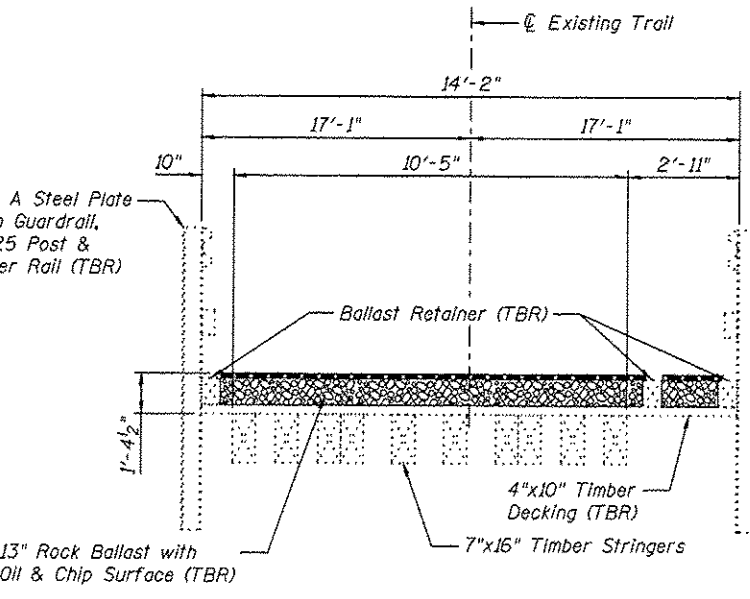


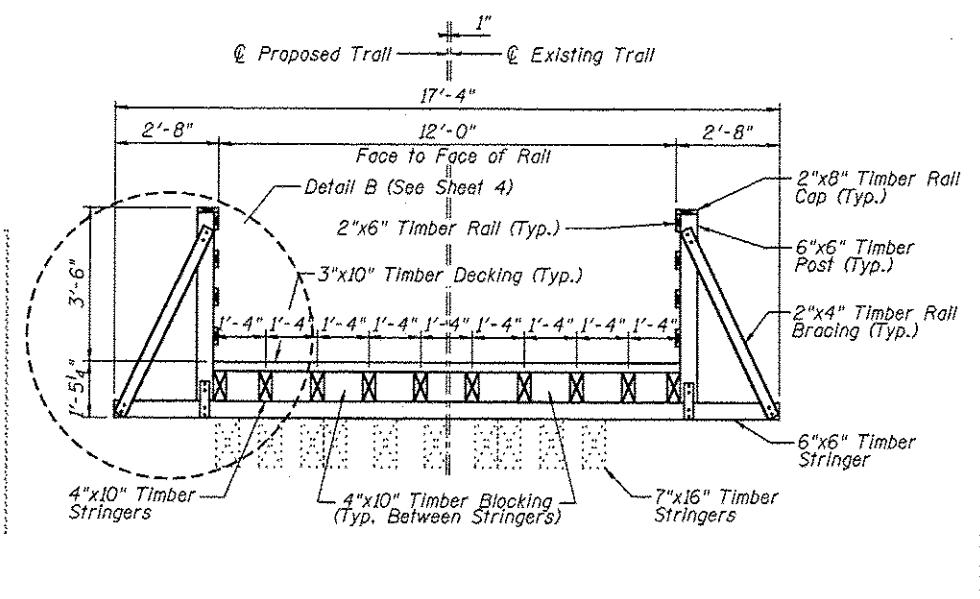
STONE RIPRAP DETAIL



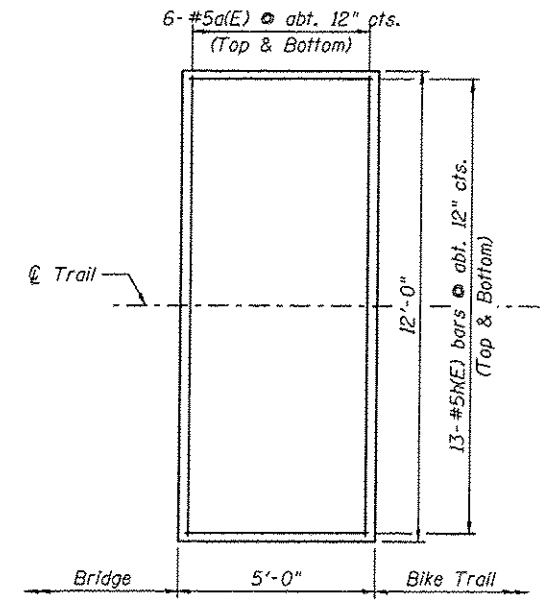
BRIDGE APPROACH PAVEMENT (SPECIAL) DETAIL



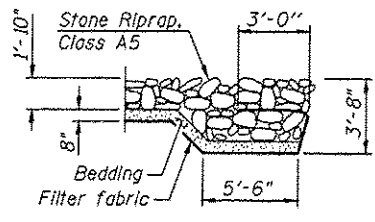
EXISTING CROSS SECTION (Looking North)



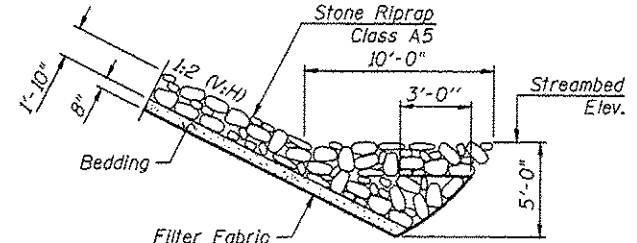
PROPOSED CROSS SECTION (Looking North)



BRIDGE APPROACH PAVEMENT (SPECIAL) PLAN
Note: 276 Lbs. of epoxy coated reinforcement bars



SECTION A-A



SECTION B-B

BRIDGE APPROACH BILL OF MATERIAL

Item	Unit	Quantity
Porous Granular Embankment, Special	Cu. Yd.	17

Note:
All dimensions are approximate.
For Treated Timber quantity, see Sheet No. 4
All new timber members shown shall be included in the pay item Treated Timber.
All items determined by the Engineer to have salvageable value, including the Type A Steel Plate Beam Guardrail, W6x25 Posts, 3"x8" Timber Rail and 7"x16" Timber Stringers in good condition, shall be transported and stored at locations and in a manner approved by the Engineer.

<p>Juneau Associates, Inc. P.C. CONSULTING ENGINEERS AND LAND SURVEYORS 2100 State Street, P.O. Box 1325 Madison, IL 61704-0132 Phone: (314) 324-1100 Fax: (314) 324-5411</p>		<p>GLEN CARBON HERITAGE BIKE TRAIL OVER JUDY BRANCH MADISON COUNTY STATION 167+25.86 STRUCTURE NO. 4</p>									
<p>REVISIONS</p> <table border="1"> <thead> <tr> <th>NO.</th> <th>DATE</th> <th>BY</th> <th>REMARKS</th> </tr> </thead> <tbody> <tr> <td> </td> <td> </td> <td> </td> <td> </td> </tr> </tbody> </table>		NO.	DATE	BY	REMARKS					<p>SCALE: NOT TO SCALE, FOLLOW DIMENSIONS</p>	
NO.	DATE	BY	REMARKS								
<p>DGN. BY: DB</p>		<p>DATE: 10/18/12</p>									
<p>DWN. BY: EER</p>		<p>DATE: 10/18/12</p>									
<p>CHK'D: WHH</p>		<p>DATE: 10/18/12</p>									
<p>DGN. NAME:</p>		<p>JOB NO. E064403</p>									
<p></p>		<p>DGN. NO.</p>									
<p></p>		<p>SHEET 183 OF 310 SHEETS</p>									

P:\Printed 10/03/10 AM 12/19/2012 W:\STRUCTURE\064403 INET HeritTop Tr\Drawings\Structure -04\Proposed Structure_107-2021\03\0831 Cross Sections.dgn