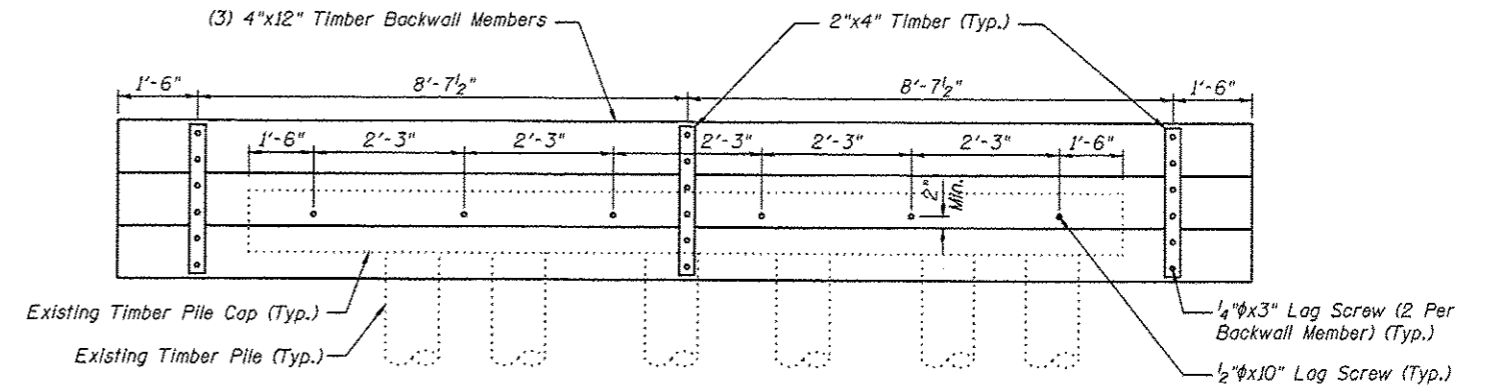


SOUTH ABUTMENT
(Looking South)



SOUTH ABUTMENT
(Looking North)

**SOUTH ABUTMENT
BILL OF MATERIAL**

Item	Unit	Quantity
Treated Timber	F.B.M.	249

Note:
All dimensions are approximate.
All new timber members shown shall be included in the pay item Treated Timber.

<p>Juneau Associates, Inc. P.C. CONSULTING ENGINEERS AND LAND SURVEYORS 2100 State Street, P.O. Box 1223 Juneau City, Illinois 62450 Phone: 618-635-1100 Fax: 618-635-4541</p>		<p>GLEN CARBON HERITAGE BIKE TRAIL OVER JUDY BRANCH MADISON COUNTY STATION 186+18.86 STRUCTURE NO. 5</p>									
<p>REVISIONS</p> <table border="1"> <thead> <tr> <th>NO.</th> <th>DATE</th> <th>BY</th> <th>REMARKS</th> </tr> </thead> <tbody> <tr> <td> </td> <td> </td> <td> </td> <td> </td> </tr> </tbody> </table>		NO.	DATE	BY	REMARKS					<p>SCALE: NOT TO SCALE, FOLLOW DIMENSIONS</p>	
NO.	DATE	BY	REMARKS								
<p>DGN NAME:</p>		<p>DSN BY: DB DATE: 10/18/12 SHEET: 195</p> <p>DWN BY: EER DATE: 10/18/12</p> <p>CHK'D: WWH DATE: 10/18/12</p>									
<p>JOB NO. E064403</p>		<p>DGN NO. OF 310 SHEETS</p>									

10-03-11 AM 12/19/2012 M:\STRUCTURE\064403 IMCT Heritage Trail\Drawings\Structure *05\Proposed Structure 107-2012\061895 S Abut & Pier L.dgn