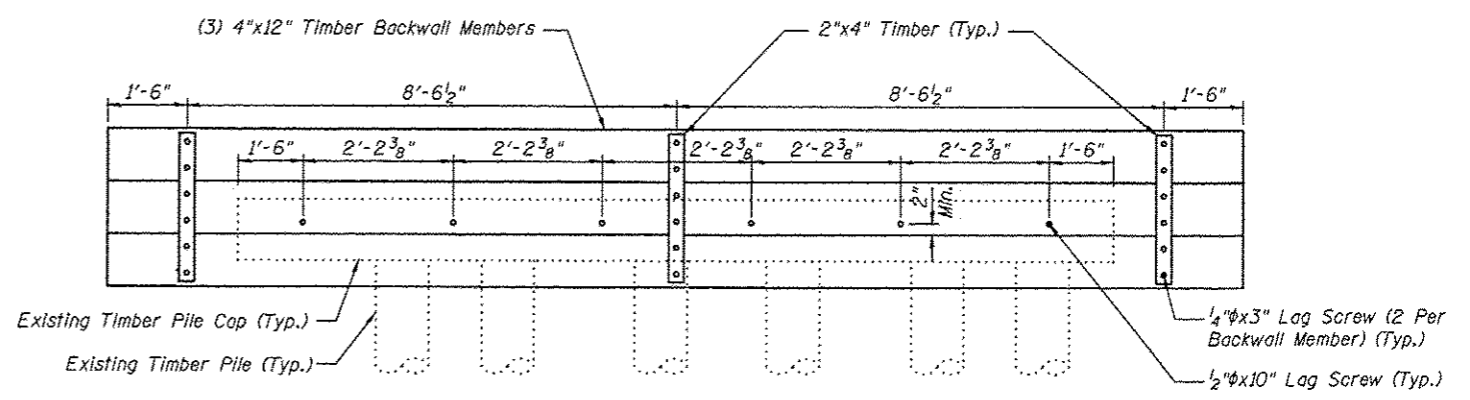


NORTH ABUTMENT
(Looking North)



NORTH ABUTMENT
(Looking South)

**NORTH ABUTMENT
BILL OF MATERIAL**

Item	Unit	Quantity
Treated Timber	F.B.M.	248

Note:
All dimensions are approximate.
All new timber members shown shall be included in the pay item Treated Timber.

<p>Juneau Associates, Inc. P.C. CONSULTING ENGINEERS AND LAND SURVEYORS 2100 State Street, P.O. Box 1323 Grand Rapids, MI 49504 Phone: (616) 942-1400 Fax: (616) 942-2541</p>		<p>GLEN CARBON HERITAGE BIKE TRAIL OVER JUDY BRANCH MADISON COUNTY STATION 198+54.27 STRUCTURE NO. 6</p>									
<p>REVISIONS</p> <table border="1"> <thead> <tr> <th>NO.</th> <th>DATE</th> <th>BY</th> <th>REMARKS</th> </tr> </thead> <tbody> <tr> <td> </td> <td> </td> <td> </td> <td> </td> </tr> </tbody> </table>		NO.	DATE	BY	REMARKS					<p>SCALE: NOT TO SCALE, FOLLOW DIMENSIONS</p>	
NO.	DATE	BY	REMARKS								
<p>DGN NAME:</p>		<p>DSN BY: DB</p>	<p>DATE: 10/18/12</p>								
<p>JOB NO. E064403</p>		<p>DWN BY: EER</p>	<p>DATE: 10/18/12</p>								
<p>DGN NO.</p>		<p>CHK'D: WWH</p>	<p>DATE: 10/18/12</p>								
<p>OF 310 SHTS</p>		<p>SHEET 205</p>									

Printed: 10/24/12 AM 12/19/2012 W:\STRUCTURE\Drawings\Structure #06\Proposed Structure #06\Proposed Structure #06\Proposed Structure #06.dwg