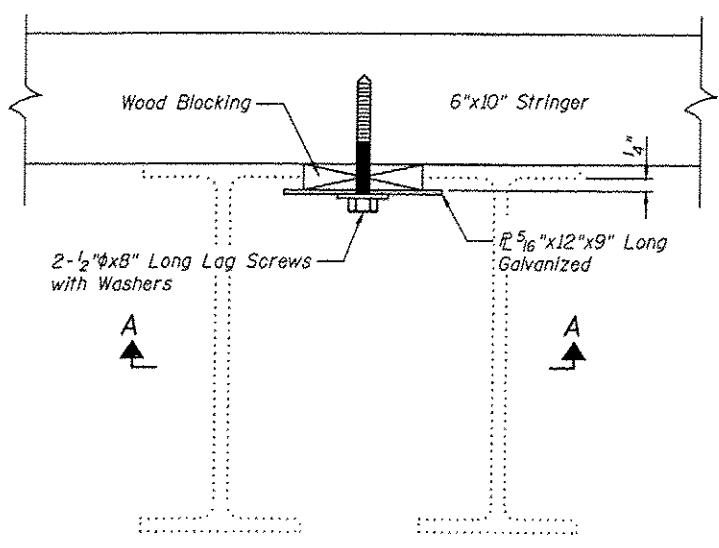
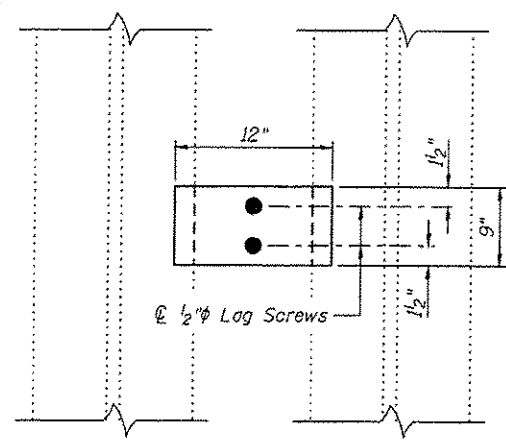


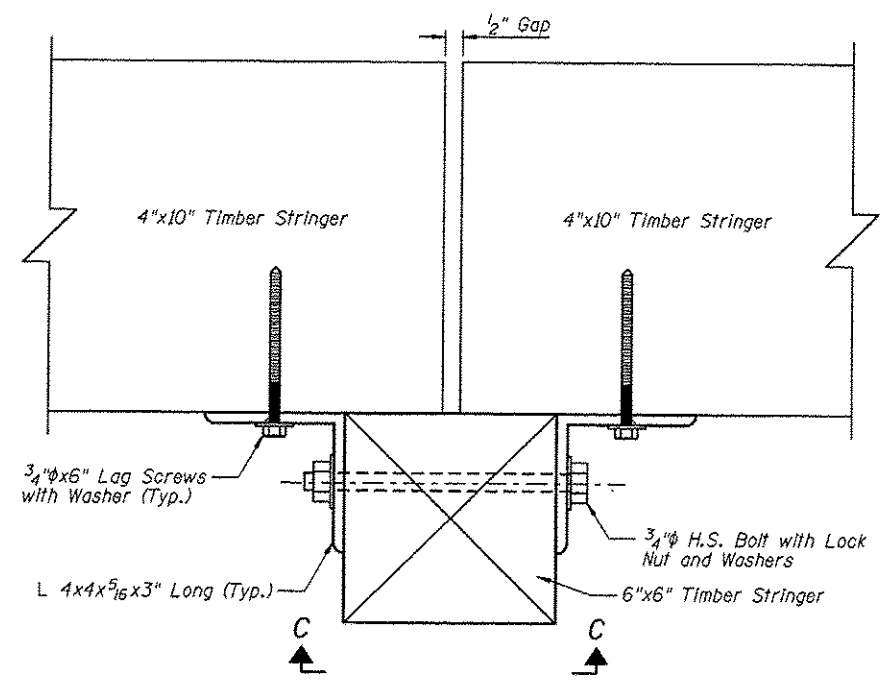
F.A.U. RTE.	SECTION	COUNTY	TOTAL SHEETS	SHEET NO.
	06-00016-00-BT	MADISON	310	213
FED. ROAD DIST. NO.	ILLINOIS	CONTRACT NO.	97433	



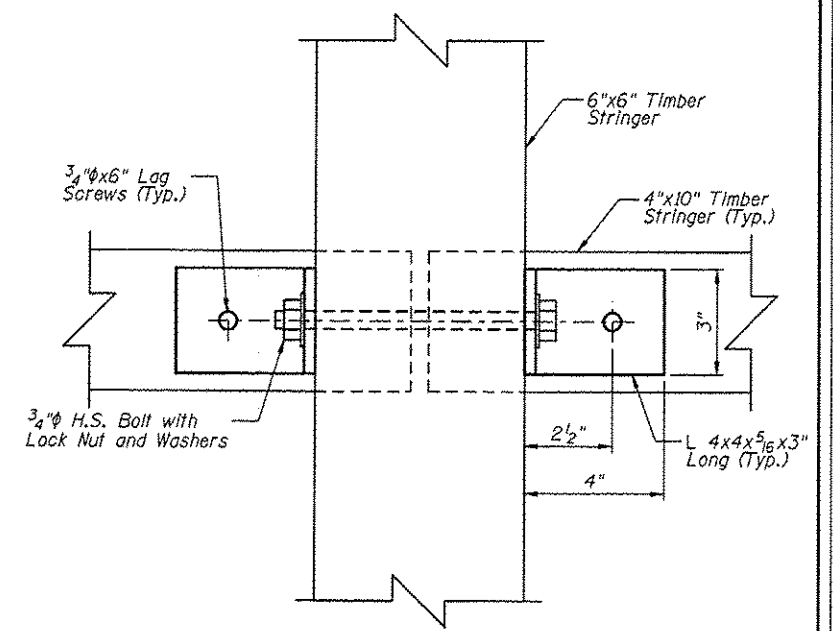
HOLD DOWN CONNECTION DETAIL
2 Required at each 6"x10" Timber Stringer



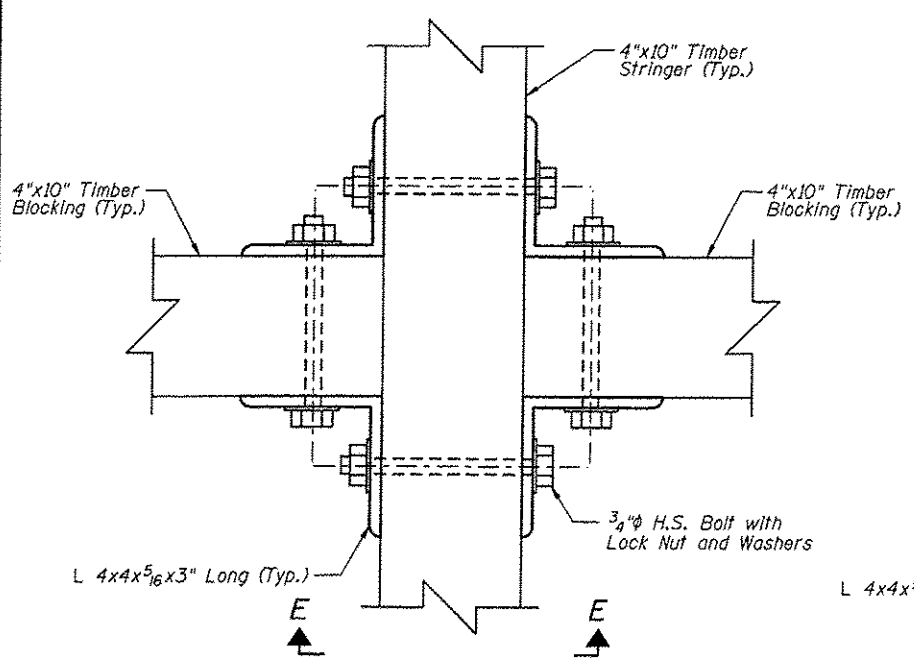
VIEW A-A



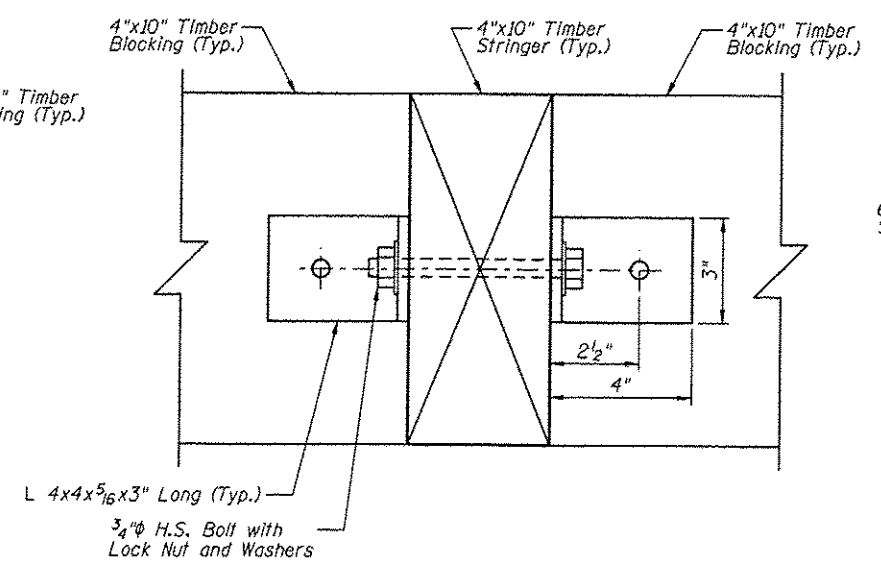
SECTION B-B
(Section G-G Similar)



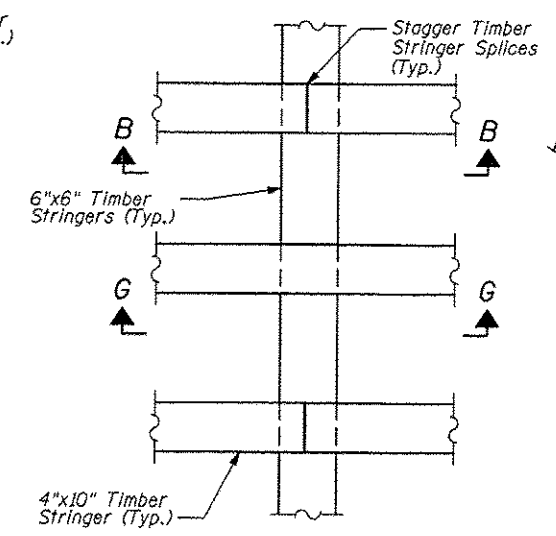
SECTION C-C



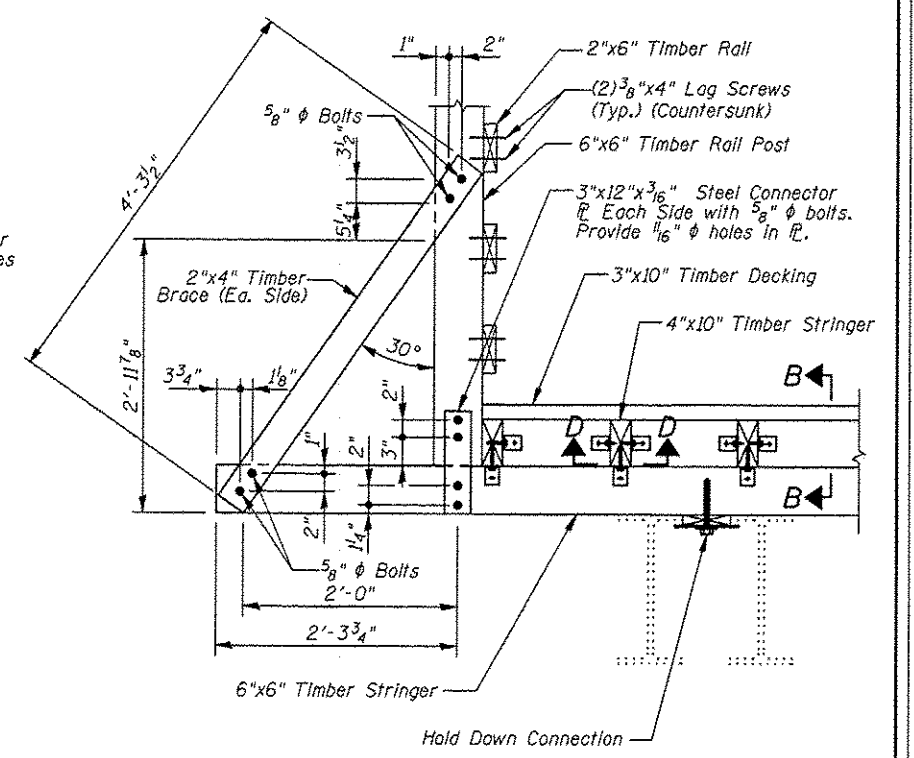
SECTION D-D



SECTION E-E



DETAIL A



DETAIL B

All new timber members shown shall be included in the pay item Treated Timber.

REVISIONS				SCALE: NOT TO SCALE, FOLLOW DIMENSIONS			
NO.	DATE	BY	REMARKS	DSN. BY:	DATE:	SHEET	
				DSN. BY: DB	DATE: 10/18/12	213	
				DWN. BY: EER	DATE: 10/18/12		
				CHK'D: WWH	DATE: 10/18/12		
DGN NAME:				JOB NO. E064403	DGN. NO.	DF 810 GHS	

TYPICAL CONNECTION DETAILS
Juneau Associates, Inc. P.C.
CONSULTING ENGINEERS AND LAND SURVEYORS
2101 State Street, P.O. Box 125
Kenosha City, Illinois 63405
Phone: (815) 391-1400
Fax: (815) 391-0541
GLEN CARBON HERITAGE BIKE TRAIL OVER JUDY BRANCH
MADISON COUNTY
STATION 227+74.04
STRUCTURE NO. 8

Printed 10/04/12 AM 12/19/2012 W:\STRUCTURE\064403 IMCT Heritage Trail\Drawings\Structure - 08\Proposed Structure - 07-2012\05-061212-213 Connection Details.dgn