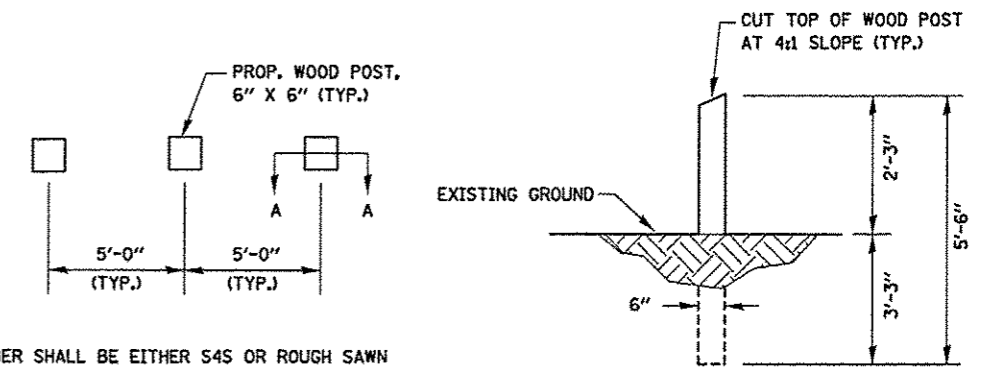
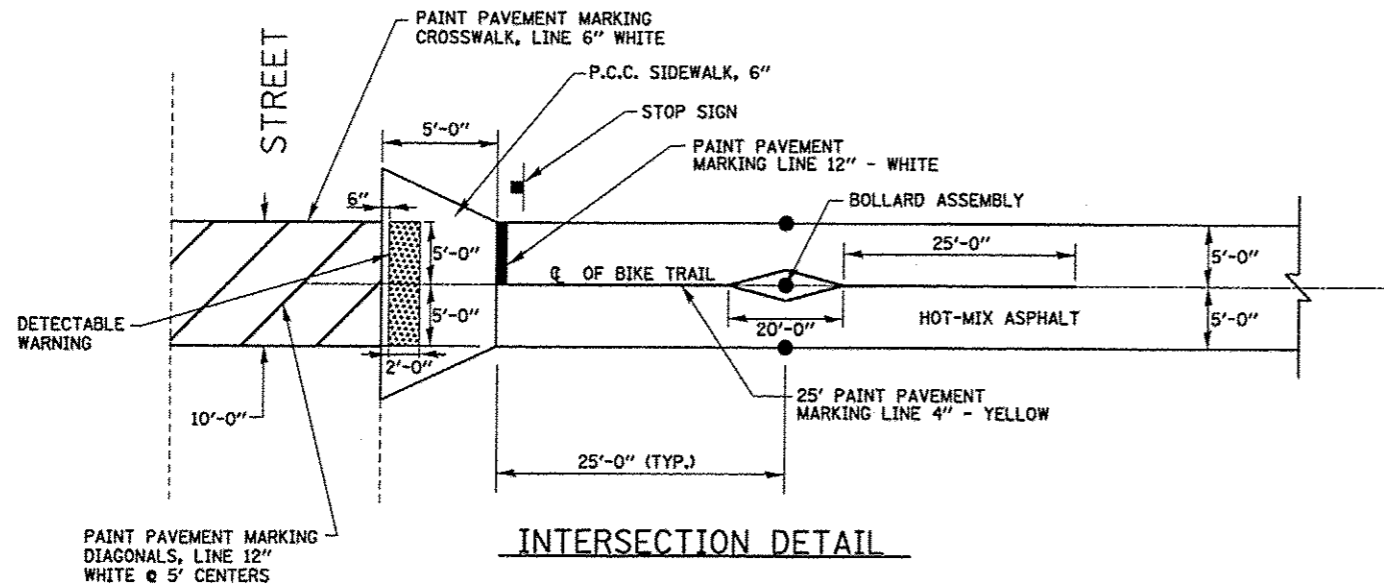


SIGN DETAIL SP-1



NOTES:
ALL TIMBER SHALL BE EITHER S4S OR ROUGH SAWN
AND BE TREATED ACCORDING TO THE APPLICABLE SPECIFICATION.

SECTION A-A

WOOD POST DETAIL

FILE NAME *	USER NAME * Jeremy	DESIGNED - SAS	REVISED -	MADISON COUNTY TRANSIT DISTRICT HERITAGE TRAIL	MISCELLANEOUS DETAILS				F.A. RTE.	SECTION	COUNTY	TOTAL SHEETS	SHEET NO.	
#FILE#		DRAWN - JDH	REVISED -							06-00016-00-BT	MADISON	310	256	
		CHECKED - WJB	REVISED -											CONTRACT NO. 97433
		DATE - 11/30/12	REVISED -			SCALE: N.T.S.	SHEET NO. 2 OF 3 SHEETS		FED. ROAD DIST. NO.	ILLINOIS FED. AID PROJECT				