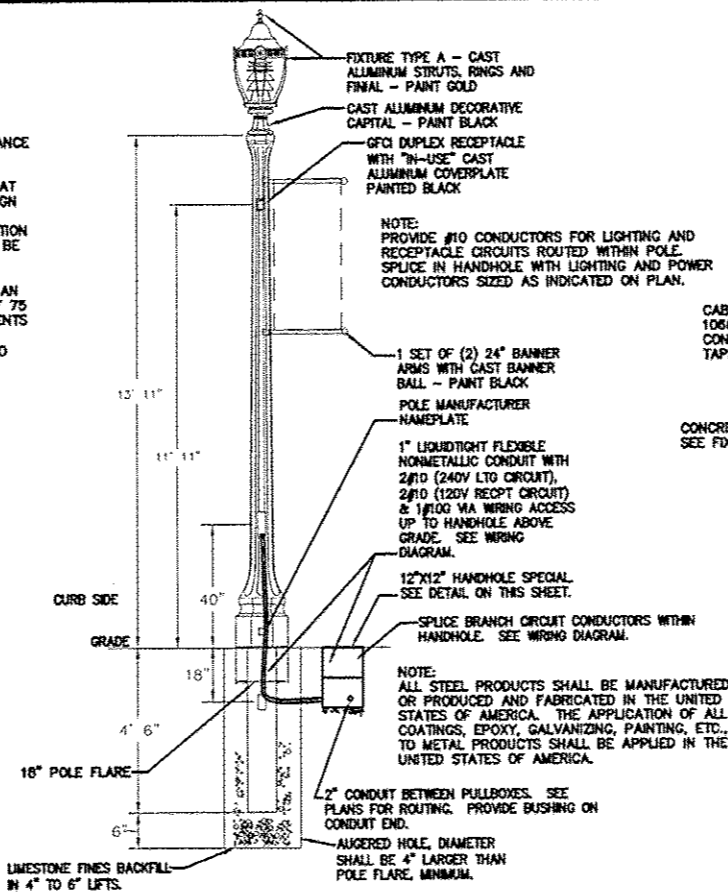
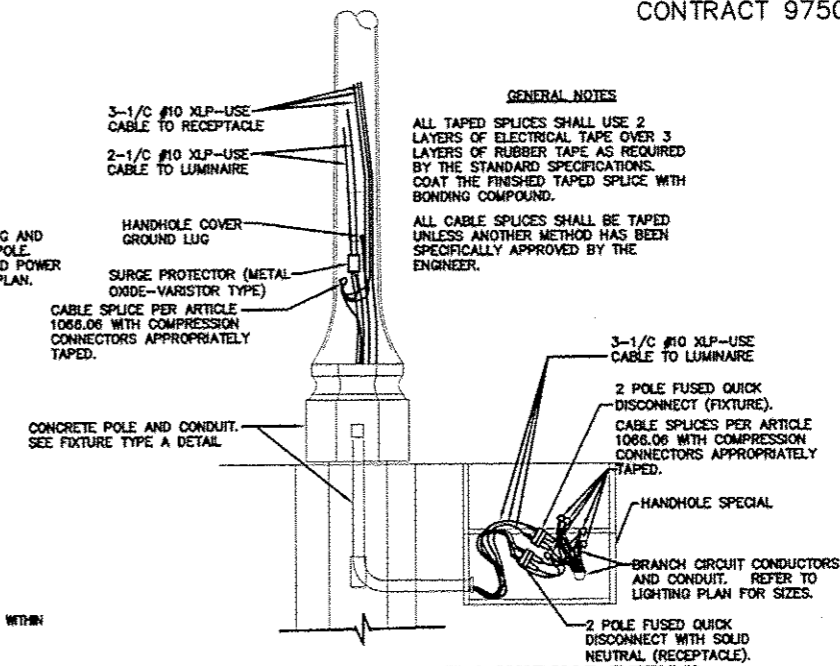


HANDHOLE SPECIAL INSTALLATION DETAIL
NOT TO SCALE PAY CODE: HANDHOLE SPECIAL

POLES SHALL BE MANUFACTURED IN ACCORDANCE WITH AASHTO STANDARD SPECIFICATIONS FOR STRUCTURAL SUPPORTS FOR HIGHWAY SIGNS, LUMINAIRES AND TRAFFIC SIGNALS, CURRENT AT THE TIME THE PROJECT IS ADVERTISED. DESIGN WIND VELOCITY SHALL BE 90 MPH WITH A MINIMUM DESIGN LIFE OF 50 YEARS. IN ADDITION TO THE AASHTO CRITERIA, THE POLES SHALL BE DESIGNED FOR THE WORST CASE LOADING CONDITION SET FORTH IN DOT SPECIFICATION 1089.01(c) FOR A DESIGN LUMINAIRE HAVING AN EPA OF 1.6 SQ. FT. AND MAXIMUM WEIGHT OF 75 LB. IN ADDITION TO THE LOADING REQUIREMENTS OF ARTICLE 1089.01(c) THE POLE SHALL BE DESIGNED TO WITHSTAND ALL LOADING DUE TO ATTACHMENTS.



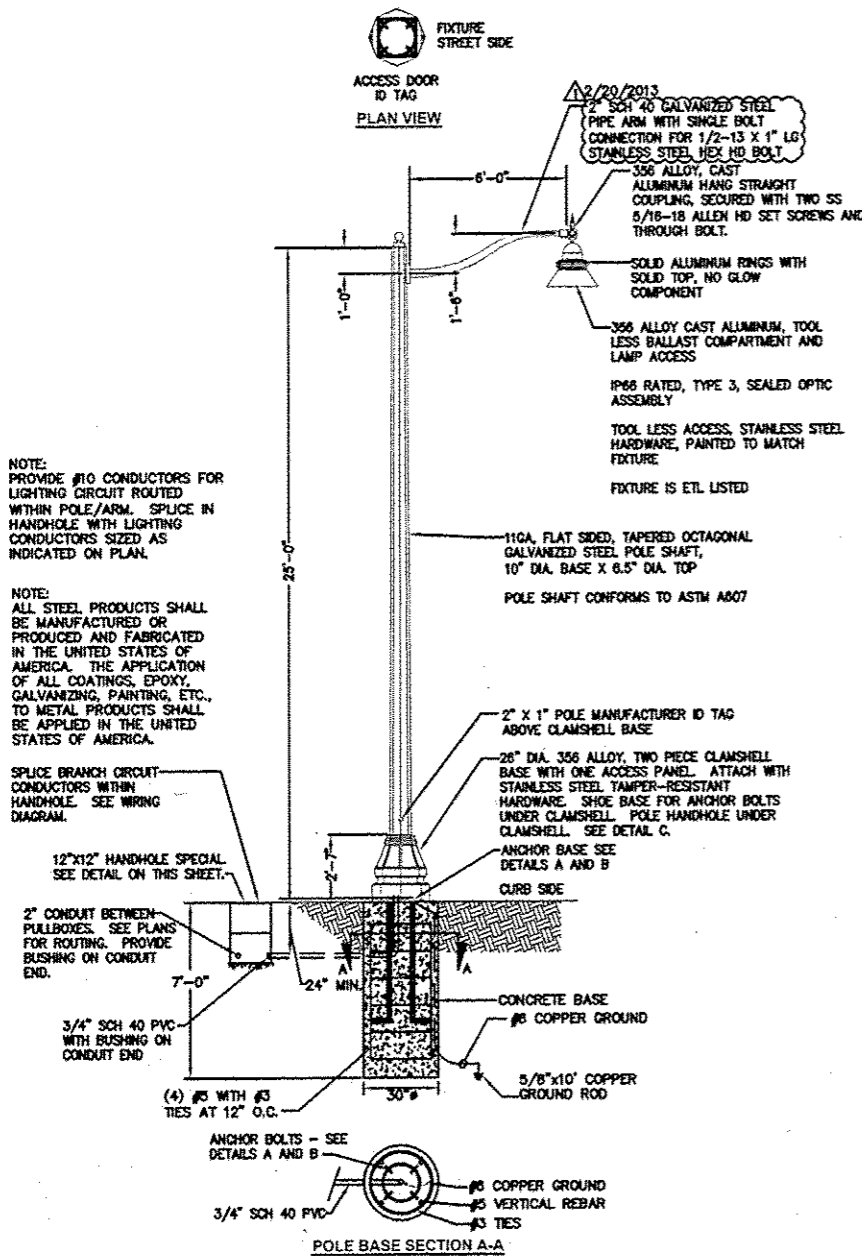
FIXTURE TYPE A POLE DETAIL
NOT TO SCALE PAY CODE: DECORATIVE LIGHT TYPE A



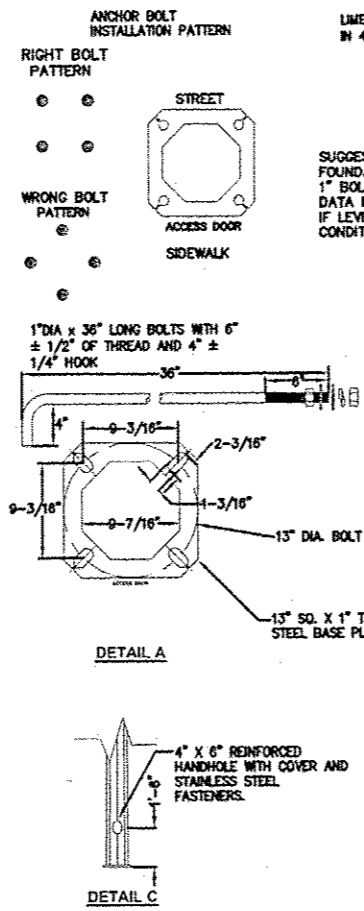
FIXTURE TYPE A WIRING DETAIL
NOT TO SCALE

GENERAL NOTES

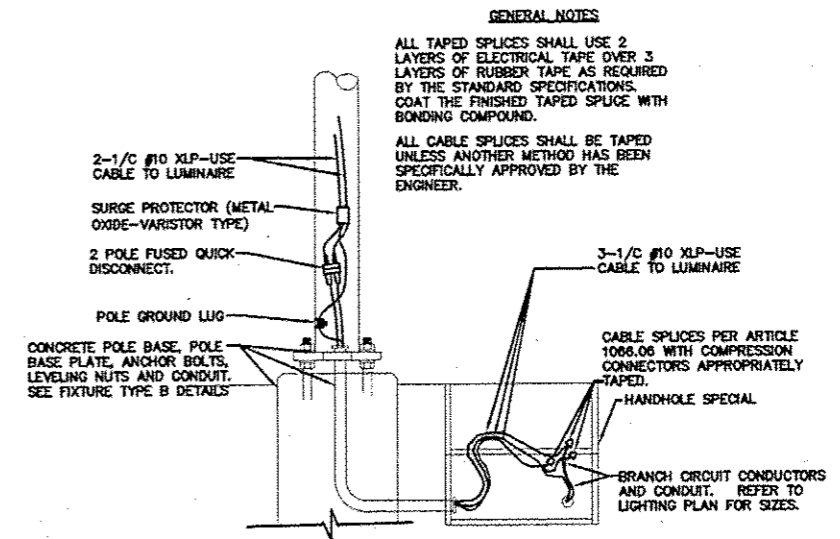
ALL TAPED SPLICES SHALL USE 2 LAYERS OF ELECTRICAL TAPE OVER 3 LAYERS OF RUBBER TAPE AS REQUIRED BY THE STANDARD SPECIFICATIONS. COAT THE FINISHED TAPED SPLICE WITH BONDING COMPOUND.
ALL CABLE SPLICES SHALL BE TAPED UNLESS ANOTHER METHOD HAS BEEN SPECIFICALLY APPROVED BY THE ENGINEER.



FIXTURE TYPE B POLE DETAIL
NOT TO SCALE PAY CODES: DECORATIVE LIGHT TYPE B AND LIGHT POLE FDN 30\"/>



SUGGESTED BOLT PROJECTION RANGE ABOVE FOUNDATION SURFACE IF LEVELING NUT IS USED:
1\"/>



FIXTURE TYPE B WIRING DETAIL
NOT TO SCALE

GENERAL NOTES

ALL TAPED SPLICES SHALL USE 2 LAYERS OF ELECTRICAL TAPE OVER 3 LAYERS OF RUBBER TAPE AS REQUIRED BY THE STANDARD SPECIFICATIONS. COAT THE FINISHED TAPED SPLICE WITH BONDING COMPOUND.
ALL CABLE SPLICES SHALL BE TAPED UNLESS ANOTHER METHOD HAS BEEN SPECIFICALLY APPROVED BY THE ENGINEER.

LIGHT FIXTURE SCHEDULE				
TYPE	VOLTAGE	LAMPS	MOUNTING	DESCRIPTION & REMARKS
A	240	(1) 150W PSMH	POLE	CITY OF EDWARDSVILLE STANDARD POST TOP FIXTURE WITH DIRECT BURY CONCRETE POLE WITH BANNER ARMS AND GFCI RECEPT WITH 'IN-USE' COVER. SEE DETAIL ON THIS SHEET FOR INSTALLATION.
B	240	(1) 250W PSMH	POLE	CITY OF EDWARDSVILLE STANDARD DECORATIVE ARM MOUNT FIXTURE. SEE DETAIL ON THIS SHEET FOR POLE BASE. PROVIDE FUSING IN POLE HANDHOLE.

108 East Main Street, Suite 100
Belleville, Illinois 62220
618.233.5877 phone
618.233.9977 fax
www.kaskaskiaeng.com

Kaskaskia Engineering Group, LLC

PROFESSIONAL REGISTRATIONS
Illinois Professional Design Firm
Professional Engineering Group

LICENSE NO. 184.004773
20-5080586

108 EAST WASHINGTON SUITE 220
BELLEVILLE, IL 62220
TEL: 618.277.5200
FAX: 618.277.5227

BRIC PARTNERSHIP, LLC
CONSULTING ENGINEERS

SECRET TITLE: STREETScape LIGHTING PLAN

PROJECT TITLE: SEC 10-00085-01-LS
NORTH MAIN STREET STREETScape
CITY OF EDWARDSVILLE, ILLINOIS

DESIGNED BY: JEN	SECRET
DRAWN BY: JEN	E5
CHECKED BY: RJD	
DATE OF P&S-FINAL: 8/17/12	
DATE OF P&S: 10/12/12	
SHEET NO. 14 OF 18 SHEETS	
PROJECT NUMBER: 09-1074-01	

FILE: M:\2008-09\0085\01-LS E Sheet Revectors 1-9-13 REV 2-14-13 FINAL.dwg