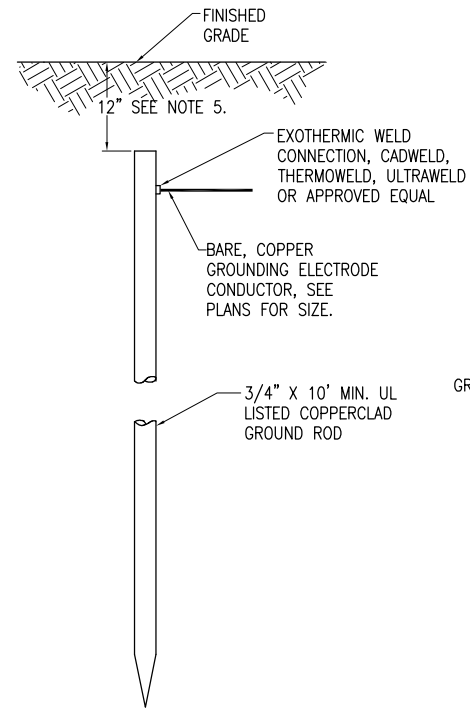


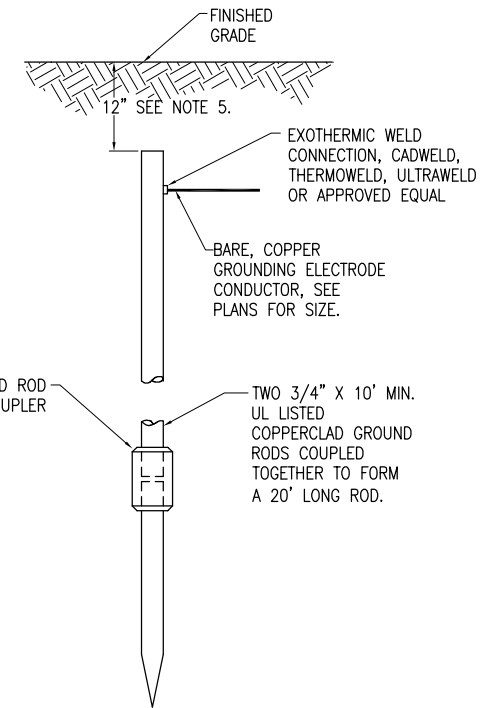
**GROUNDING NOTES**

- THE CONTRACTOR SHALL FURNISH AND INSTALL ALL GROUNDING AS MAY BE NECESSARY OR REQUIRED TO MAKE A COMPLETE GROUNDING SYSTEM AS REQUIRED BY THE LATEST NATIONAL ELECTRICAL CODE (NFPA 70) IN FORCE AND FAA-STD-019a (LIGHTNING AND SURGE PROTECTION, GROUNDING, BONDING, AND SHIELDING REQUIREMENTS FOR FACILITIES AND ELECTRONIC EQUIPMENT). THE RELIABILITY OF THE GROUNDING SYSTEM IS DEPENDENT ON CAREFUL, PROPER INSTALLATION AND CHOICE OF MATERIALS. IMPROPER PREPARATION OF SURFACES TO BE JOINED TO MAKE AN ELECTRICAL PATH, LOOSE JOINTS OR CORROSION CAN INTRODUCE IMPEDANCE THAT WILL SERIOUSLY IMPAIR THE ABILITY OF THE GROUND PATH TO PROTECT PERSONNEL AND EQUIPMENT AND TO ABSORB TRANSIENTS THAT CAN CAUSE NOISE IN COMMUNICATIONS CIRCUITS. THE FOLLOWING FUNCTIONS ARE PARTICULARLY IMPORTANT TO ENSURE A RELIABLE GROUND SYSTEM:
- FURNISH AND INSTALL GROUND RODS AS DETAILED HEREIN. GROUND RODS FOR AIRFIELD LIGHTING (RUNWAY LIGHTING, TAXIWAY LIGHTING, TAXI GUIDANCE SIGNS, & DISTANCE REMAINING SIGNS) SHALL BE MINIMUM 3/4-IN. DIAMETER BY 20-FT LONG, UL-LISTED COPPER CLAD WITH 10-MIL MINIMUM COPPER COATING (TWO 3/4-IN. DIAMETER BY 10-FT LONG, UL-LISTED, COPPER CLAD GROUND RODS COUPLED TOGETHER). GROUND RODS FOR OTHER APPLICATIONS SHALL BE MINIMUM 3/4-IN. DIAMETER BY 20-FT LONG, UL-LISTED, COPPER CLAD WITH 10-MIL MINIMUM COPPER COATING. GROUND RODS SHALL BE SPACED OR AS DETAILED ON THE RESPECTIVE PLANS, AND IN NO CASE SPACED LESS THAN ONE ROD LENGTH APART. ALL CONNECTIONS TO GROUND RODS AND THE GROUND RING SHALL BE MADE WITH EXOTHERMIC WELD TYPE CONNECTORS, CADWELD BY ERICO PRODUCTS, INC., SOLON, OHIO, (PHONE 1-800-248-9353), THERMOWELD BY CONTINENTAL INDUSTRIES, INC., TULSA, OKLAHOMA (PHONE 918-663-1440), ULTRAWELD BY HARGER, GRAYSLAKE, ILLINOIS (PHONE 1-800-842-7437), OR APPROVED EQUAL. EXOTHERMIC WELD CONNECTIONS SHALL BE INSTALLED IN CONFORMANCE WITH THE RESPECTIVE MANUFACTURER'S DIRECTIONS USING MOLDS AS REQUIRED FOR EACH RESPECTIVE APPLICATION. BOLTED CONNECTIONS WILL NOT BE PERMITTED AT GROUND RODS OR AT BURIED GROUNDING ELECTRODE CONDUCTORS.
- CONTRACTOR SHALL TEST EACH MADE ELECTRODE GROUND ROD/GROUND FIELD/GROUND RING WITH AN INSTRUMENT SPECIFICALLY DESIGNED FOR TESTING GROUND FIELD SYSTEMS. IF GROUND RESISTANCE EXCEEDS 25 OHMS, CONTACT THE PROJECT ENGINEER FOR FURTHER DIRECTION. COPIES OF GROUND ROD TEST RESULTS SHALL BE FURNISHED TO THE RESIDENT ENGINEER/RESIDENT PROJECT REPRESENTATIVE.
- ALL PRODUCTS ASSOCIATED WITH THE GROUNDING SYSTEM SHALL BE UL-LISTED AND LABELED.
- ALL BOLTED OR MECHANICAL CONNECTIONS SHALL BE COATED WITH A CORROSION PREVENTATIVE COMPOUND BEFORE JOINING, SANCHEM INC. "NO-OX-ID "A-SPECIAL" COMPOUND, BURNDY PENETROX E, OR EQUAL.
- METALLIC SURFACES TO BE JOINED SHALL BE PREPARED BY THE REMOVAL OF ALL NON-CONDUCTIVE MATERIAL, PER 2011 NATIONAL ELECTRICAL CODE ARTICLE 250-12. ALL COPPER BUS BARS MUST BE CLEANED PRIOR TO MAKING CONNECTIONS TO REMOVE SURFACE OXIDATION.
- METALLIC RACEWAY FITTINGS SHALL BE MADE UP TIGHT TO PROVIDE A PERMANENT LOW IMPEDANCE PATH FOR ALL CIRCUITS. METAL CONDUIT TERMINATIONS IN ENCLOSURES SHALL BE BONDED TO THE ENCLOSURE WITH UL-LISTED FITTINGS SUITABLE FOR GROUNDING. PROVIDE GROUNDING BUSHINGS WITH BONDING JUMPERS FOR ALL METAL CONDUITS ENTERING SERVICE EQUIPMENT (METER BASE, CT CABINET, MAIN SERVICE BREAKER ENCLOSURE, ETC.). PROVIDE GROUNDING BUSHINGS WITH BONDING JUMPERS FOR ALL METAL CONDUITS ENTERING AN ENCLOSURE THROUGH CONCENTRIC OR ECCENTRIC KNOCKOUTS THAT ARE PUNCHED OR OTHERWISE FORMED SO AS TO IMPAIR THE ELECTRICAL CONNECTION TO GROUND. STANDARD LOCKNUTS OR BUSHINGS SHALL NOT BE THE SOLE MEANS FOR BONDING WHERE A CONDUIT ENTERS AN ENCLOSURE THROUGH A CONCENTRIC OR ECCENTRIC KNOCKOUT
- ALL CONNECTIONS, LOCATED ABOVE GRADE, BETWEEN THE DIFFERENT TYPES OF GROUNDING CONDUCTORS SHALL BE MADE USING UL-LISTED DOUBLE COMPRESSION CRIMP TYPE CONNECTORS OR UL-LISTED BOLTED GROUND CONNECTORS. FOR GROUND CONNECTIONS TO ENCLOSURES, CASES AND FRAMES OF ELECTRICAL EQUIPMENT NOT SUPPLIED WITH GROUND LUGS THE CONTRACTOR SHALL DRILL REQUIRED HOLES FOR MOUNTING A BOLTED GROUND CONNECTOR. ALL BOLTED GROUND CONNECTORS SHALL BE BURNDY, THOMAS AND BETTS, OR EQUAL. TIGHTEN CONNECTIONS TO COMPLY WITH TIGHTENING TORQUES IN UL STANDARD 486A TO ASSURE PERMANENT AND EFFECTIVE GROUNDING.
- ALL METAL EQUIPMENT ENCLOSURES, CONDUITS, CABINETS, BOXES, RECEPTACLES, MOTORS, ETC. SHALL BE BONDED TO THE RESPECTIVE GROUNDING SYSTEM.
- PROVIDE ALL BOXES FOR PROPOSED OUTLETS, SWITCHES, CIRCUIT BREAKERS, ETC. WITH GROUNDING SCREWS. PROVIDE ALL PANELBOARD, SWITCHGEAR, ETC., ENCLOSURES WITH GROUNDING BARS WITH INDIVIDUAL SCREWS, LUGS, CLAMPS, ETC., FOR EACH OF THE GROUNDING CONDUCTORS THAT ENTER THEIR RESPECTIVE ENCLOSURES.
- EACH NEW FEEDER CIRCUIT AND/OR BRANCH CIRCUIT SHALL INCLUDE AN EQUIPMENT GROUND WIRE. METAL RACEWAY OR CONDUIT SHALL NOT MEET THIS REQUIREMENT. THE EQUIPMENT GROUND WIRE FROM EQUIPMENT SHALL NOT BE SMALLER THAN ALLOWED BY 2011 NEC TABLE 250-122 "MINIMUM SIZE CONDUCTORS OR GROUNDING RACEWAY AND EQUIPMENT." WHEN CONDUCTORS ARE ADJUSTED IN SIZE TO COMPENSATE FOR VOLTAGE DROP, EQUIPMENT-GROUNDING CONDUCTORS SHALL BE ADJUSTED PROPORTIONATELY ACCORDING TO CIRCULAR MIL AREA. ALL EQUIPMENT GROUND WIRES SHALL BE COPPER, EITHER BARE OR INSULATED GREEN IN COLOR. WHERE THE EQUIPMENT GROUNDING CONDUCTORS ARE INSULATED, THEY SHALL BE IDENTIFIED BY THE COLOR GREEN, AND SHALL BE THE SAME INSULATION TYPE AS THE PHASE CONDUCTORS.

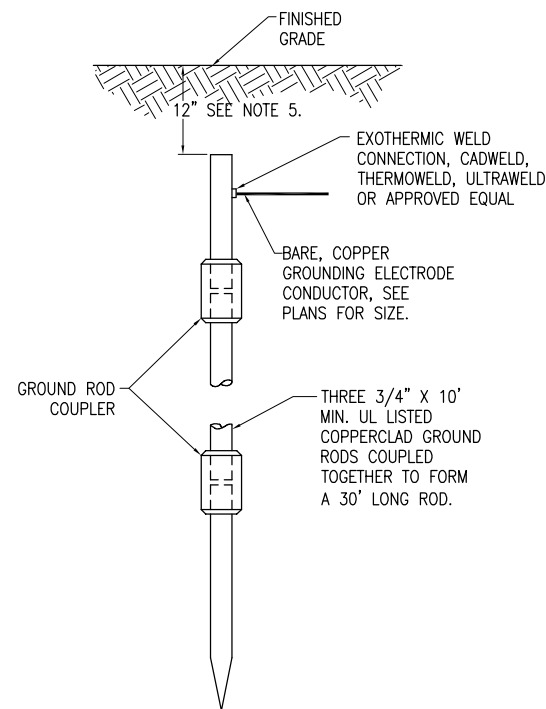
- ALL EXTERIOR METAL CONDUIT, WHERE NOT ELECTRICALLY CONTINUOUS BECAUSE OF MANHOLES, HANDHOLES, NON-METALLIC JUNCTION BOXES, ETC., SHALL BE BONDED TO ALL OTHER METAL CONDUIT IN THE RESPECTIVE DUCT RUN, AND AT EACH END, WITH A COPPER-BONDING JUMPER SIZED IN CONFORMANCE WITH 2011 NEC 250-102. WHERE METAL CONDUITS TERMINATE IN AN ENCLOSURE (SUCH AS A MOTOR CONTROL CENTER, SWITCHBOARD, ETC) WHERE THERE IS NOT ELECTRICAL CONTINUITY WITH THE CONDUIT AND THE RESPECTIVE ENCLOSURE, PROVIDE A BONDING JUMPER FROM THE RESPECTIVE ENCLOSURE GROUND BUS TO THE CONDUIT SIZED PER 2011 NEC 250-102.
- IT IS THE INTENT OF THIS SPECIFICATION THAT ALL MOTOR FRAMES, PUMP BASES ELECTRICAL EQUIPMENT ENCLOSURES, PANEL HOUSINGS, CONDUITS, BOXES, ETC. HAVE A CONTINUOUS COPPER WIRE GROUND CONNECTION AND SHALL BE POSITIVELY BONDED TO THE RESPECTIVE GROUNDING SYSTEM. CONDUIT CONNECTORS WILL NOT BE CONSIDERED AS ADEQUATE GROUNDING.
- PROVIDE A POSITIVE GROUND BOND FOR ALL OUTLET BOXES, ELECTRICAL EQUIPMENT ENCLOSURES, GROUNDING RECEPTACLES, TOGGLE SWITCHES, ETC. INSTALL A GROUNDING CONDUCTOR IN ALL WIRE AND CABLE RACEWAYS. GROUND CONDUCTOR TO HAVE 600-VOLT INSULATION AND BE IDENTIFIED BY A CONTINUOUS GREEN COLOR COATING. THEY SHALL BE USED SOLELY FOR GROUNDING PURPOSES AND BE ENTIRELY SEPARATE FROM WHITE GROUNDED NEUTRAL CONDUCTOR, EXCEPT AT SUPPLY SIDE OF SERVICE DISCONNECTING MEANS, WHERE GROUNDING AND NEUTRAL SYSTEMS ARE TO BE CONNECTED TO SERVICE GROUND.
- EACH AND ALL GROUNDED CASED AND METAL PARTS ASSOCIATED WITH ELECTRICAL EQUIPMENT SHALL BE TESTED FOR CONTINUITY OF CONNECTION WITH GROUND BUS SYSTEM BY CONTRACTOR IN PRESENCE OF OWNER'S REPRESENTATIVE.
- ALL CONNECTIONS BETWEEN THE DIFFERENT TYPES OF GROUNDING CONDUCTORS ABOVE GRADE SHALL BE MADE USING BOLTED GROUND CONNECTORS. GROUND LUGS SHALL BE PROVIDED IN ALL ENCLOSURES AND WIRING TERMINATION JUNCTION BOXES. EQUIPMENT GROUNDS AND GROUNDING CONDUCTOR SHALL BE CONNECTED TO THESE GROUND LUGS. FOR GROUND CONNECTIONS TO ENCLOSURES, CASES AND FRAMES OF ELECTRICAL EQUIPMENT NOT SUPPLIED WITH GROUND LUGS THE CONTRACTOR SHALL DRILL REQUIRED HOLES FOR MOUNTING A BOLTED GROUND CONNECTOR. ALL BOLTED GROUND CONNECTORS SHALL BE BURNDY, OR EQUAL.
- BOND ALL NONCURRENT-CARRYING PARTS OF METAL EQUIPMENT TO GROUND SYSTEM.
- BUILDING STRUCTURAL STEEL SYSTEM SHALL BE BONDED TO ELECTRICAL GROUND SYSTEM.
- INSTALL GROUNDING ELECTRODE CONDUCTORS, LIGHTNING PROTECTION DOWN CONDUCTORS AND SEPARATE GROUND CONDUCTORS IN SCHEDULE 40 OR SCHEDULE 80 PVC CONDUIT OR EXPOSED WHERE ACCEPTABLE TO LOCAL CODES. WHERE GROUNDING ELECTRODE CONDUCTORS, LIGHTNING PROTECTION DOWN CONDUCTORS OR INDIVIDUAL GROUND CONDUCTORS ARE RUN IN PVC CONDUIT, DO NOT COMPLETELY ENIRCLE CONDUIT WITH FERROUS AND/OR MAGNETIC MATERIALS. USE NON-METALLIC REINFORCED FIBERGLASS STRUT SUPPORT. WHERE METAL CONDUIT CLAMPS ARE INSTALLED, USE NYLON BOLTS, NUTS, WASHERS AND SPACERS TO INTERRUPT A COMPLETE METALLIC PATH FROM ENCLICLING THE CONDUIT. THIS IS REQUIRED TO AVOID GIRDLING OF GROUND CONDUCTORS. GIRDLING OF A GROUND CONDUCTOR IS THE RESULT OF PLACING THE CONDUCTOR IN A RING OF MAGNETIC MATERIAL. THIS RING COULD BE A METALLIC CONDUIT, U-BOLT OR STRUT SUPPORT PIPE CLAMP, OR OTHER SUPPORT HARDWARE. THE RESULT OF GIRDLING GROUND CONDUCTORS SIGNIFICANTLY INCREASES THE INDUCTIVE IMPEDANCE OF THE GROUND CONDUCTOR. INDUCTIVE AND CAPACITIVE IMPEDANCE IS A TYPE OF RESISTANCE THAT OPPOSES THE FLOW OF ALTERNATING CURRENT. ANY INCREASE IN THE IMPEDANCE OF A GROUND CONDUCTOR REDUCES ITS ABILITY TO EFFECTIVELY MITIGATE RADIO FREQUENCY NOISE IN THE GROUND SYSTEM. THE CONDITION WHERE A GROUND CONDUCTOR IS GIRDLED DURING A LIGHTNING STRIKE RESULTS IN PHENOMENA KNOWN AS SURGE IMPEDANCE LOADING. SURGE IMPEDANCE LOADING IS A RESULT OF VOLTAGE AND CURRENT REACHING 500,000 VOLTS AND 10,000 AMPS FOR A SHORT DURATION. GIRDLING FURTHER INCREASES THE IMPEDANCE AT LIGHTNING FREQUENCIES OF 100 KILOHERTZ TO 100 MEGAHERTZ. AT THESE POWER AND FREQUENCY LEVELS ANY INCREASE IN THE IMPEDANCE OF THE GROUND CONDUCTOR MUST BE CONTROLLED. DURING LIGHTNING DISCHARGE CONDITIONS A LOW INDUCTIVE IMPEDANCE PATH IS MORE IMPORTANT THAN A LOW DC RESISTANCE PATH.
- IF LOCAL CODES DICTATE THAT INDIVIDUAL GROUNDING CONDUCTORS MUST BE RUN IN METAL CONDUIT OR RACEWAY, THEN THE CONDUIT OR RACEWAY MUST BE BONDED AT EACH END OF THE RUN WITH A BONDING JUMPER SIZED EQUAL TO THE INDIVIDUAL GROUNDING CONDUCTOR OR AS REQUIRED BY 2011 NEC 250-102. NOTE THIS DOES NOT APPLY TO AC EQUIPMENT GROUNDING CONDUCTORS RUN WITH AC CIRCUITS.
- WHERE A CONFLICT IS DETERMINED WITH RESPECT TO GROUNDING REQUIREMENTS PER MANUFACTURER INSTALLATION INSTRUCTIONS, NEC, AND/OR THE CONTRACT DOCUMENTS, CONTACT THE RESIDENT ENGINEER OR PROJECT ENGINEER FOR FURTHER DIRECTIONS.
- GROUND RODS SHALL BE MANUFACTURED IN THE UNITED STATES OF AMERICA TO COMPLY WITH THE AIRPORT IMPROVEMENT PROGRAM BUY AMERICAN REQUIREMENTS. STEEL USED TO MANUFACTURER GROUND RODS SHALL BE 100 PERCENT DOMESTIC STEEL.



**10 FT. GROUND ROD**



**20 FT. GROUND ROD**



**30 FT. GROUND ROD**

**GROUND RODS**  
(NOT TO SCALE)

**NOTES**

- TYPE AND MINIMUM NUMBER OF GROUND RODS SHALL BE AS SPECIFIED ON THE PLAN.
- THE RESISTANCE TO GROUND OF THE GROUNDING SYSTEM SHALL NOT EXCEED 25 OHMS.
- COST OF GROUND RODS IS INCIDENTAL TO THE ASSOCIATED ITEMS REQUIRING GROUNDING UNLESS OTHERWISE SPECIFIED. GROUND RODS FOR VAULT WILL BE CONSIDERED INCIDENTAL TO ITEM AR109200.
- GROUND RODS SHALL BE SPACED AS DETAILED ON THE PLANS AND SHALL NOT BE SPACED LESS THAN ONE ROD LENGTH APART.
- TOP OF GROUND RODS SHALL BE 12" MINIMUM BELOW GRADE UNLESS DETAILED OTHERWISE HEREIN. GROUND RING CONDUCTORS SHALL BE 40" MINIMUM BELOW GRADE OR BELOW FROST LINE WHICHEVER IS DEEPER.

JAN 11, 2013 7:54 AM KINCAD0394 I:\AIRPORTS\MARSHALL\0A025\AIRPORT SHEETS\E-004.DWG

REVISION	DATE	12/11/12	UPDATED	NOTE 3
MARSHALL COUNTY AIRPORT LACON, ILLINOIS				
BLOCK GRANT PROJ.: 3-17-0059-B15 ILL PROJ.: C75-4223				
Hanson Proj. No. 10A00051	Filename: E-004.DWG	Scale: NONE	Date: 12/14/12	08/26/10
LAYOUT	KNL	MLH	09/01/10	03/30/11
REVIEWED	KNL/CAH	MLH	09/01/10	03/30/11
<b>HANSON</b> Professional Services Inc. 2013 1525 South Sixth Street Springfield, Illinois 62703-2886 Ph: (217) 788-2450 Fax: (217) 788-2503 www.hanson-inc.com Offices Nationwide				
PAVE, LIGHT AND MARK 805' EXTENSION		GROUNDING NOTES		
37				
37 of 75 sheets				