

STATE OF ILLINOIS
DEPARTMENT OF TRANSPORTATION

F.A.P. RTE.	SECTION	COUNTY	TOTAL SHEETS	SHEET NO.
17	(4BR-4)BP	CARROLL	7	1
		ILLINOIS	CONTRACT NO. 64S88	

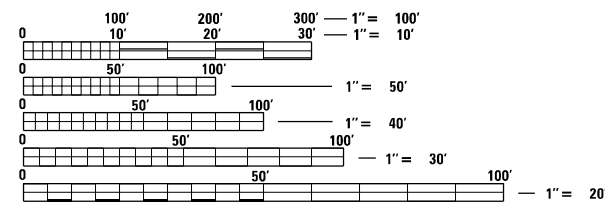
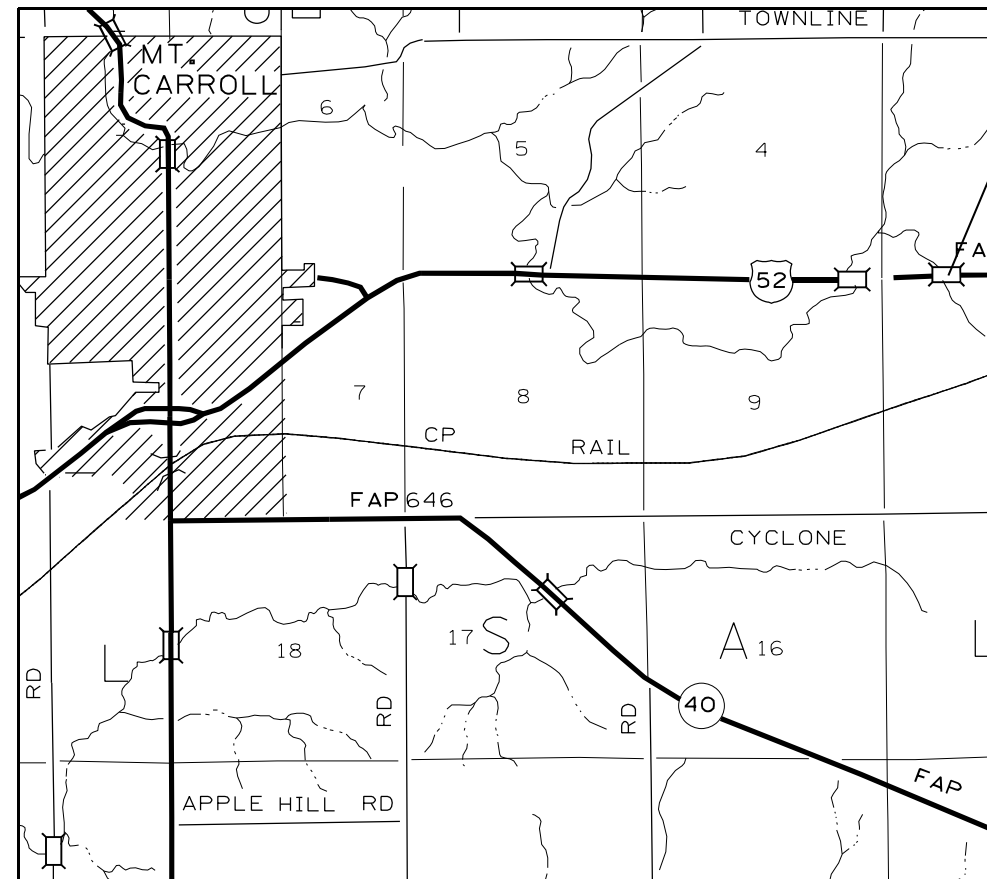
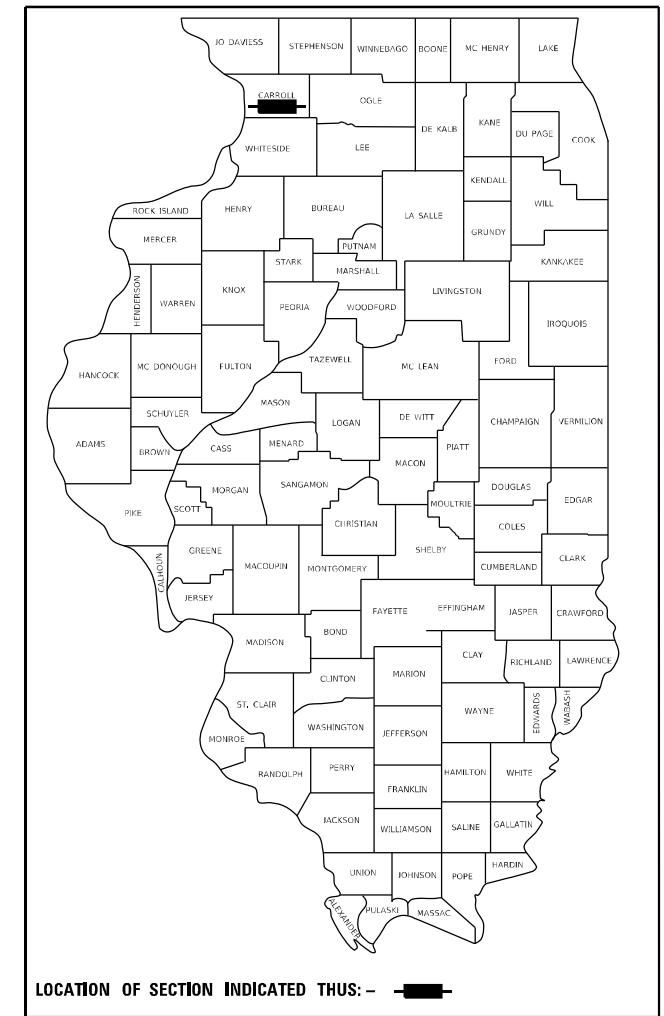
FOR INDEX OF SHEETS, SEE SHEET NO. 2
FOR STATE STANDARDS, SEE SHEET NO. 2

PROPOSED HIGHWAY PLANS

FAP 17 (IL 64/ US 52)
SECTION: (4BR-4)BP
PROJECT: STP-6IJL(481)
TYPE of IMPROVEMENT: BRIDGE PAINTING
CARROLL COUNTY

C-92-004-24

SN 008-0005



FULL SIZE PLANS HAVE BEEN PREPARED USING STANDARD ENGINEERING SCALES, REDUCED SIZED PLANS WILL NOT CONFORM TO STANDARD SCALES. IN MAKING MEASUREMENTS ON REDUCED PLANS, THE ABOVE SCALES MAY BE USED.

J.U.L.I.E.
JOINT UTILITY LOCATION INFORMATION FOR EXCAVATION
1-800-892-0123
OR 811

PROJECT ENGINEER: DAVID DOSS (815) 284-5416
PROJECT MANAGER: MAHMOUD ETEMADI (815) 284-5393

CONTRACT NO. 64S88

STATE OF ILLINOIS
DEPARTMENT OF TRANSPORTATION

SUBMITTED Nov 28, 2023

David Doss
REGIONAL ENGINEER

February 2, 2024
Scott A. Etkin
ENGINEER OF DESIGN AND ENVIRONMENT

February 2, 2024
Stephen McNeill
DIRECTOR OF HIGHWAYS PROJECT IMPLEMENTATION

PRINTED BY THE AUTHORITY
OF THE STATE OF ILLINOIS

INDEX OF SHEETS

- 1 COVER SHEET
- 2 INDEX OF SHEETS / STATE STANDARDS / GENERAL NOTES
- 3 SUMMARY OF QUANTITIES
- 4 EXISTING ROADWAY TYPICAL
- 5 STAGING TYPICALS (SN 008-0005)
- 6-7 TRAFFIC CONTROL & PROTECTION, STANDARD 701321 (SPECIAL)

STATE STANDARDS

- 701101-05 OFF-ROAD OPERATIONS, MULTILANE, 15' (4.5m) TO 24'' (600mm) FROM PAVEMENT EDGE
- 701201-05 LANE CLOSURE, 2L, 2W, DAY ONLY, FOR SPEEDS > 45 MPH
- 701301-04 LANE CLOSURE, 2L, 2W, SHORT TIME OPERATIONS
- 701901-09 TRAFFIC CONTROL DEVICES
- 704001-08 TEMPORARY CONCRETE BARRIER
- 720011-01 METAL POSTS FOR SIGNS, MARKERS & DELINEATORS
- 728001-01 TELESCOPING STEEL SIGN SUPPORT
- 729001-01 APPLICATIONS OF TYPES A & B METAL POSTS (FOR SIGNS & MARKERS)

GENERAL NOTES

LOCATION 1 - SN 008-0005

THE CONTRACTOR SHALL SEED ALL DISTURBED AREAS WITHIN THE PROJECT LIMITS. SEEDING CLASS 2A SHALL BE USED. THIS WORK WILL BE INCLUDED IN THE CONTRACT UNIT PRICE PER LUMP SUM FOR CLEANING AND PAINTING STEEL BRIDGE NO. 1.

FERTILIZER SHALL BE APPLIED TO ALL DISTURBED AREAS AND INCORPORATED INTO THE SEEDBED PRIOR TO SEEDING OR PLACEMENT OF SOD AT THE RATE SPECIFIED IN SECTIONS 250 AND 252 OF THE STANDARD SPECIFICATIONS. THIS WORK SHALL BE INCLUDED IN THE COST OF CLEANING AND PAINTING STEEL BRIDGE NO. 1.

MULCH METHOD II SHALL BE APPLIED OVER ALL SEEDED AREAS. THIS SHALL BE INCLUDED IN THE COST OF THE CLEANING AND PAINTING STEEL BRIDGE NO. 1.

LOCATION 1 SN 008-0005

ALL BORROW/WASTE/USE SITES MUST BE APPROVED BY THE DEPARTMENT PRIOR TO REMOVING ANY MATERIAL FROM THE PROJECT OR INITIATING ANY EARTHMOVING ACTIVITIES, INCLUDING TEMPORARY STOCKPILING OUTSIDE THE LIMITS OF CONSTRUCTION.

TEMPORARY IMPACT ATTENUATORS WILL BE MEASURED AS EACH FOR EACH ATTENUATOR SUPPLIED ON THE JOB AS SPECIFIED IN THE PLANS, AND SHALL INCLUDE THE COST OF RENTING/OWNING THE ATTENUATOR FOR THE TIME REQUIRED ON THE JOB PLUS HAULING TO AND FROM THE PROJECT SITE, AS WELL AS ONE PLACEMENT AND REMOVAL FROM THE ROADWAY. THIS SHALL BE PAID FOR AT THE CONTRACT UNIT PRICE PER EACH FOR IMPACT ATTENUATORS, TEMPORARY OF THE TYPE SPECIFIED.

RELOCATE TEMPORARY IMPACT ATTENUATOR WILL BE PAID FOR AS EACH AND WILL BE PAID FOR EACH TIME THE ATTENUATOR IS REQUIRED BY STAGING TO BE PICKED UP AND MOVED TO A DIFFERENT LOCATION ON THE PROJECT, WHETHER IT IS TO ANOTHER LOCATION ON THE ROADWAY OR TO A STORAGE/STAGING LOCATION FOR THE PROJECT. THIS SHALL BE PAID FOR AT THE CONTRACT UNIT PRICE PER EACH FOR IMPACT ATTENUATORS, RELOCATE OF THE TYPE SPECIFIED.

THIS WORK SHALL BE DONE IN ACCORDANCE WITH SECTION 704 OF THE STANDARD SPECIFICATIONS. TEMPORARY CONCRETE BARRIER WILL BE MEASURED IN FEET ALONG THE CENTERLINE OF THE BARRIER AND SHALL INCLUDE THE COST OF RENTING/OWNING THE BARRIER FOR THE TIME REQUIRED ON THE JOB PLUS HAULING TO AND FROM THE PROJECT SITE, AS WELL AS ONE PLACEMENT AND REMOVAL FROM THE ROADWAY IN ACCORDANCE WITH SECTION 704 OF THE STANDARD AND SPECIFICATION. THIS SHALL BE PAID FOR AT THE CONTRACT UNIT PRICE PER FOOT FOR TEMPORARY CONCRETE BARRIER.

RELOCATE TEMPORARY CONCRETE BARRIER WILL BE PAID FOR IN FEET ALONG THE CENTERLINE OF THE BARRIER, AND WILL BE PAID FOR EACH TIME THE BARRIER IS REQUIRED BY STAGING TO BE PICKED UP AND MOVED TO A DIFFERENT LOCATION ON THE PROJECT, WHETHER IT IS TO ANOTHER LOCATION ON THE ROADWAY OR TO A STORAGE/STAGING LOCATION FOR THE PROJECT. THIS SHALL BE PAID FOR AT THE CONTRACT UNIT PRICE PER FOOT FOR RELOCATE TEMPORARY CONCRETE BARRIER.

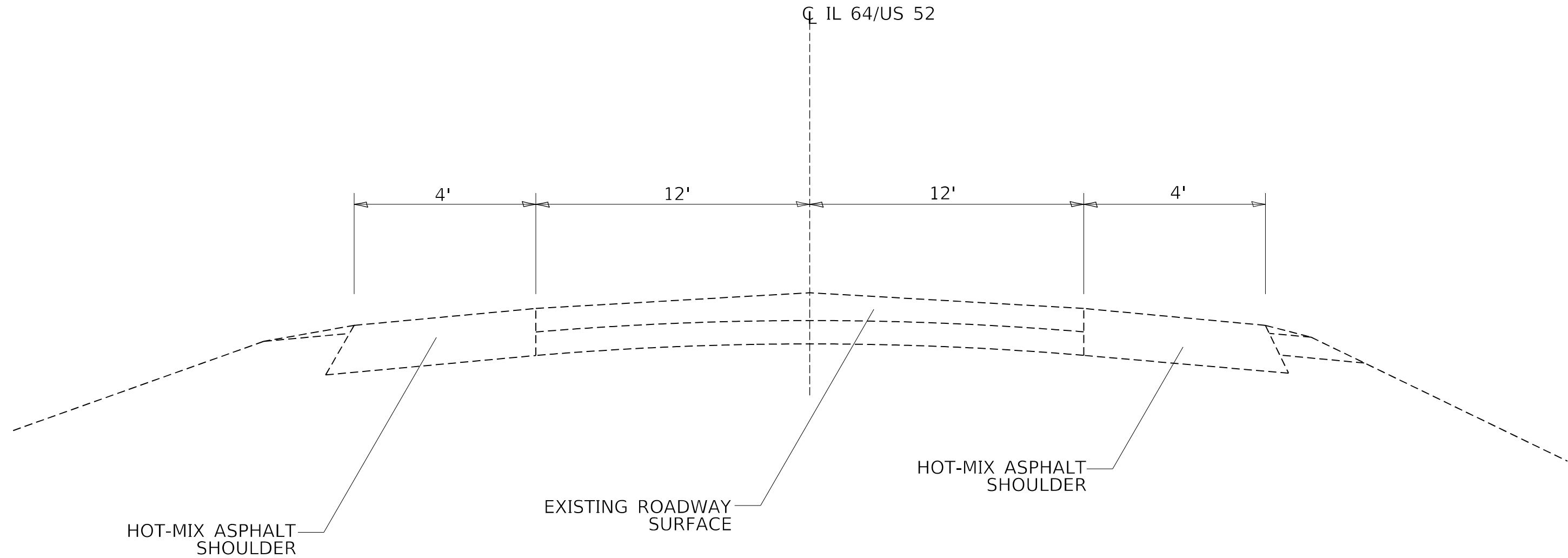
THE CONTRACTOR SHALL BE RESPONSIBLE FOR PROTECTING UTILITY PROPERTY DURING CONSTRUCTION OPERATIONS AS OUTLINED IN ARTICLE 107.31 OF THE STANDARD SPECIFICATIONS. A MINIMUM OF 48 HOURS ADVANCE NOTICE IS REQUIRED FOR NON-EMERGENCY WORK. THE JULIE NUMBER IS 800-892-0123.

THE SSPC QP1 & QP2 CONTRACT CERTIFICATIONS WILL BE REQUIRED FOR THIS CONTRACT.

MODEL: Default
 FILE: \\naulic-pw-bea\file.com\PIV\DOT\Documents\1\DOT Office\Dir\dir_2\Project\Operations\Bridg Section\Civil\008-0005\64588\CAD\64588-1ht-cover.dgn

USER NAME = David.Doss DESIGNED - _____ DRAWN - _____ PLOT SCALE = 40,0000 * / in. PLOT DATE = Sep-11-2023 09:39:09 AM		REVISED - _____ REVISED - _____ REVISED - _____ REVISED - _____		STATE OF ILLINOIS DEPARTMENT OF TRANSPORTATION		INDEX OF SHEETS, STATE STANDARDS & GENERAL NOTES		F.A.P. RTE. 17 SECTION (4BR-4)BP COUNTY CARROLL TOTAL SHEETS 7 SHEET NO. 2 CONTRACT NO. 64588		SCALE: _____ SHEET ____ OF ____ SHEETS STA. _____ TO STA. _____ ILLINOIS FED. AID PROJECT	
--	--	--	--	---	--	---	--	--	--	--	--

EXISTING TYPICAL SN 008-0005



MODEL: Default
 FILE: Model - p:\ultra-cw-bead-fay.com\PIV\DOT\Documents\1\DOT Office\District 2\Project\Operations\Bridges - Section\Cornell\008-0005\64588\CADD\64588-4ht-cover.dwg

USER NAME = David.Doss	DESIGNED - _____	REVISED - _____
	DRAWN - _____	REVISED - _____
PLOT SCALE = 40,0000 * / in.	CHECKED - _____	REVISED - _____
PLOT DATE = Aug-14-2023 09:42:50 AM	DATE - _____	REVISED - _____

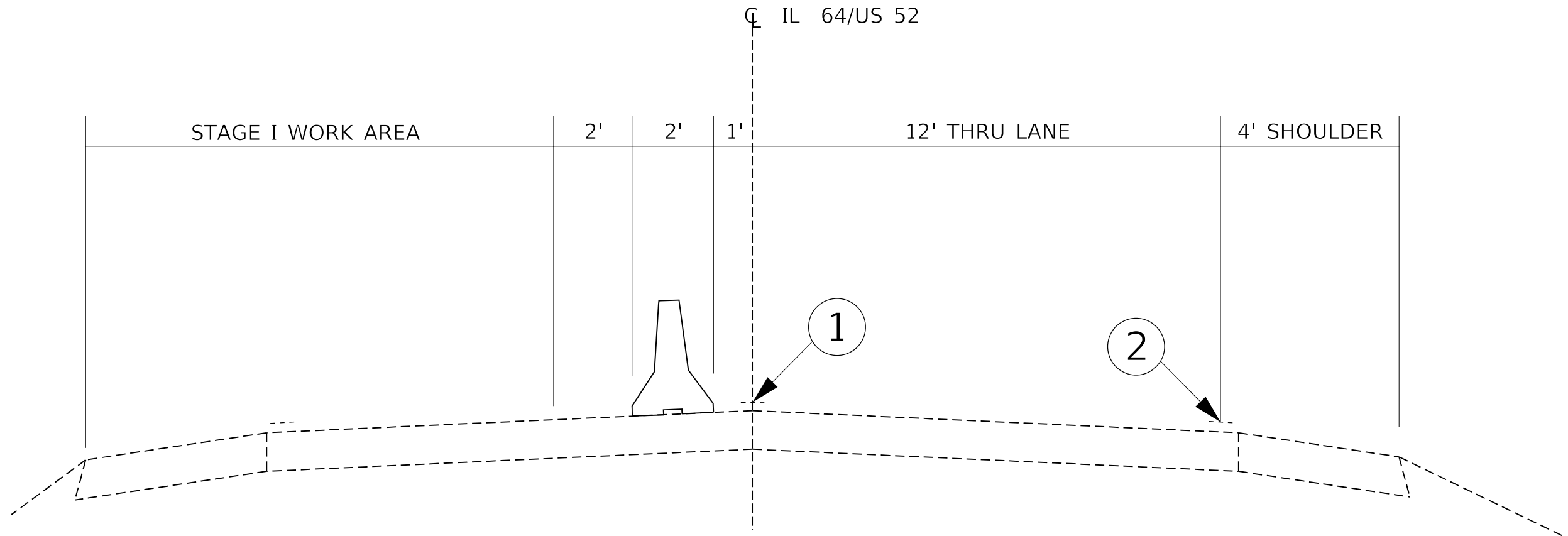
STATE OF ILLINOIS
DEPARTMENT OF TRANSPORTATION

EXISTING TYPICAL
SN 008-0005

SCALE: _____ SHEET ___ OF ___ SHEETS STA. _____ TO STA. _____

F.A.P. RTE.	SECTION	COUNTY	TOTAL SHEETS	SHEET NO.
17	(4BR-4)BP	CARROLL	7	4
			CONTRACT NO. 64588	
ILLINOIS FED. AID PROJECT				

STAGING TYPICAL SN 008-0005



- ① TEMPORARY PAVEMENT MARKING TAPE SHALL BE PLACED THROUGHOUT THE TAPER AND ALONG-SIDE THE WORK AREA. THE RIGHT EDGE LINE SHALL BE WHITE AND THE LEFT EDGE LINE SHALL BE YELLOW.
- ② EXISTING PAVEMENT MARKING LINE

MODEL: Default
 FILE: \\nautilus.pw.usdnet-pw.bentley.com\P\I\DOT\Documents\DOT Office\District 2\Project\Operations\Bridge - Section\Cornell\008-0005\64588\CADD\64588-ah-0-over.dgn

USER NAME = David.Doss	DESIGNED - _____	REVISED - _____
	DRAWN - _____	REVISED - _____
PLOT SCALE = 40,0000 * / in.	CHECKED - _____	REVISED - _____
PLOT DATE = Aug-14-2023 09:42:56 AM	DATE - _____	REVISED - _____

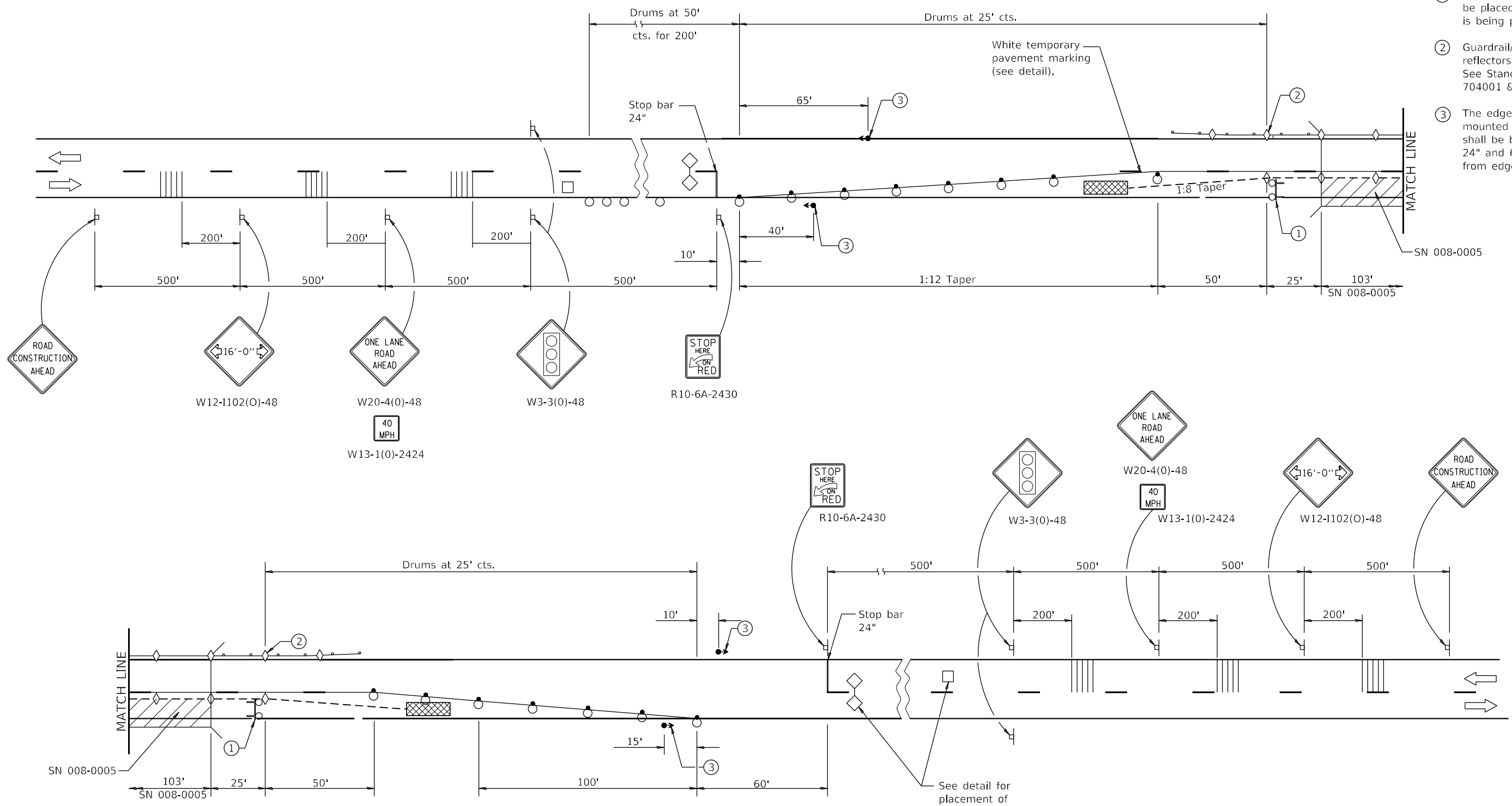
STATE OF ILLINOIS
DEPARTMENT OF TRANSPORTATION

STAGING TYPICAL
SN 008-0005

SCALE: _____ SHEET ____ OF ____ SHEETS STA. _____ TO STA. _____

F.A.P. RTE.	SECTION	COUNTY	TOTAL SHEETS	SHEET NO.
17	(4BR-4)BP	CARROLL	7	5
CONTRACT NO. 64588				
ILLINOIS FED. AID PROJECT				

- ① Type III barricade to be placed when no work is being performed.
- ② Guardrail/barrier wall reflectors at 25' cts. See Standards 704001 & 782006.
- ③ The edge of the post mounted signal head shall be between 24" and 6' from edge of shoulder.



SYMBOLS

- Work area
- Sign
- Type III barricade with flashing lights
- Traffic signal
- Drum with steady burning bi-directional light
- Temporary concrete barrier
- Temporary rumble strip (when specified)
- Double vertical panel (see detail)
- Detector loops
- Impact attenuator
- Crystal, bidirectional guardrail/barrier wall reflector
- Drum

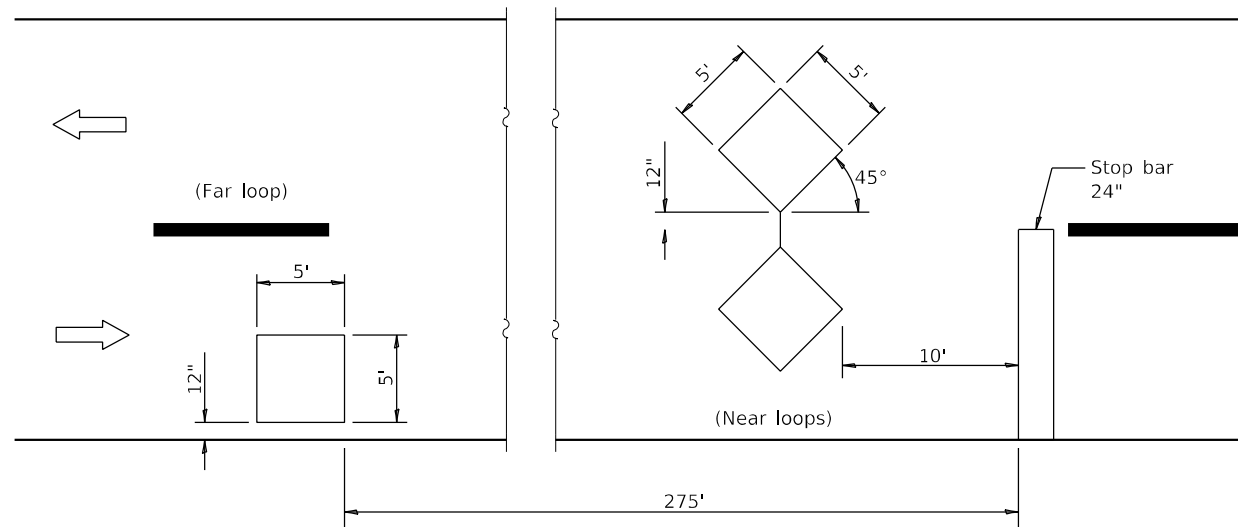
MODEL: Default
 FILE: \\naulpc\pub\std\std\paw\benefy.com\PIV\DOT\Documents\1\DOT Office\Director_2\Project\Operations\Bridges_Section\Carroll\008-0005\64588\CADD\64588-std-cover.dgn

USER NAME = David.Doss	DESIGNED - _____	REVISED - _____
DRAWN - _____	REVISIONS - _____	REVISIONS - _____
PLOT SCALE = 40,0000 * / in.	CHECKED - _____	REVISIONS - _____
PLOT DATE = Aug-14-2023 09:43:03 AM	DATE - _____	REVISIONS - _____

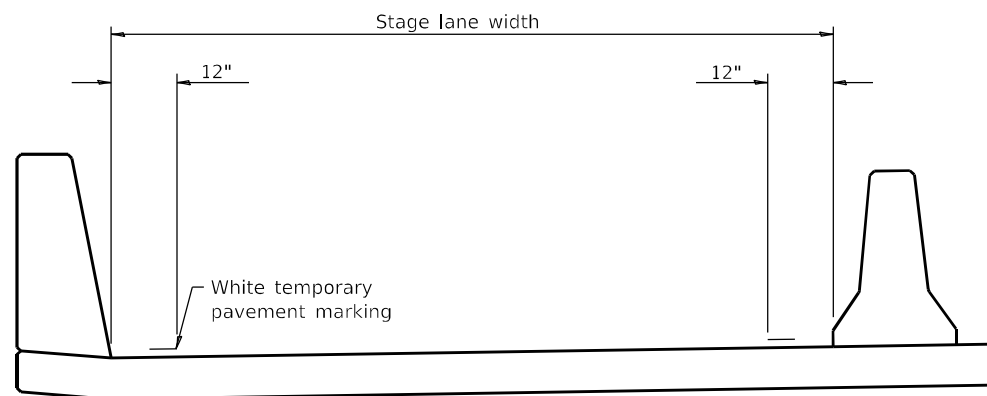
**STATE OF ILLINOIS
DEPARTMENT OF TRANSPORTATION**

TRAFFIC CONTROL & PROTECTION, STANDARD 701321 (SPECIAL)	
FOR LOCATION SN 008-0005	
SCALE: _____	SHEET ____ OF ____ SHEETS
STA. _____	TO STA. _____

F.A.P. RTE. 17	SECTION (4BR-4)BP	COUNTY CARROLL	TOTAL SHEETS 7	SHEET NO. 6
CONTRACT NO. 64588				
ILLINOIS FED. AID PROJECT				



DETECTOR LOOPS



TEMPORARY PAVEMENT MARKING

TRAFFIC SIGNAL SEQUENCE						
PHASE	A			B		
INTERVAL	1	2	3	4	5	6
NORTHBOUND OR EASTBOUND	G	Y	R	R	R	R
SOUTHBOUND OR WESTBOUND	R	R	R	G	Y	R

TEMPORARY CONCRETE BARRIER	
NORMAL POSTED SPEED	TAPER RATIO
40 mph AND ABOVE	12:1
BELOW 40 mph	8:1

ADVISORY SPEED LIMIT	
NORMAL POSTED SPEED	ADVISORY SPEED
55 - 45 mph	40 mph
40 mph	35 mph
35 - 30 mph	30 mph

PAVEMENT MARKINGS

ALL TEMPORARY PAVEMENT MARKING SHALL BE, PAVEMENT MARKING TAPE, TYPE IV 4" AND THE MATERIALS SHALL BE ACCORDING TO ARTICLE 1095.06 OF THE STANDARD AND SPECIFICATIONS. THE CONTRACTOR SHALL INSTALL, MAINTAIN AND REMOVE ALL TEMPORARY PAVEMENT MARKING TAPE. THIS WORK SHALL NOT BE PAID SEPERATELY AND SHALL BE INCLUDED IN THE COST OF THE "TRAFFIC CONTROL AND PROTECTION STANDARD 701321 (SPECIAL)".

ALL CONFLICTING PAVEMENT MARKINGS AND RAISED REFLECTIVE PAVEMENT MARKERS SHALL BE PROTECTED PRIOR TO COVERING WITH PAVEMENT MARKING BLACKOUT TAPE, 4". PAVEMENT MARKING BLACKOUT TAPE, 4", SHALL EXTEND A MINIMUM OF 2 INCHES BEYOND THE EXISTING MARKINGS OR REFLECTORS IN ALL DIRECTIONS. THIS WORK SHALL INCLUDE PROTECTING EXISTING PAVEMENT MARKINGS AND RAISED REFLECTIVE PAVEMENT MARKERS, INSTALLING, MAINTAINING AND REMOVING BLACKOUT TAPE. THIS WORK SHALL NOT BE PAID SEPERATELY AND SHALL BE INCLUDED IN THE COST OF THE "TRAFFIC CONTROL AND PROTECTION STANDARD 701321 (SPECIAL)".

GENERAL NOTES

This Standard is used where, at any time, any vehicle, equipment, workers, or their activities will encroach on one lane of a bridge. Traffic signals and a positive barrier are required.

Traffic signals shall be operational only when all traffic controls are in place. When traffic signals are not in operation, flaggers shall be used and traffic control shall conform to Standard 701201 or 701206.

Temporary concrete barrier shall be according to Standard 704001.

Existing or temporary pavement markings shall be on both sides of open lane from stop bar to stop bar.

MODEL: Default
 FILE NAME: p:\ultra\paw\benefit\com\p\p\DOT\Documents\DOT Office\Dir\Dirr\ 2\Project\Operations\Bridg Section\CAD\008-0005\64588\CAD\64588-ah-cover.dgn

USER NAME = David.Doss	DESIGNED - _____	REVISED - _____
	DRAWN - _____	REVISED - _____
PLOT SCALE = 40,0000 * / in.	CHECKED - _____	REVISED - _____
PLOT DATE = Aug-14-2023 09:43:10 AM	DATE - _____	REVISED - _____

**STATE OF ILLINOIS
DEPARTMENT OF TRANSPORTATION**

**TRAFFIC CONTROL & PROTECTION, STANDARD 701321 (SPECIAL)
FOR SN 008-0005**

SCALE: _____ SHEET ____ OF ____ SHEETS STA. _____ TO STA. _____

F.A.P. RTE.	SECTION	COUNTY	TOTAL SHEETS	SHEET NO.
17	(4BR-4)BP	CARROLL	7	7
CONTRACT NO. 64588				
ILLINOIS FED. AID PROJECT				