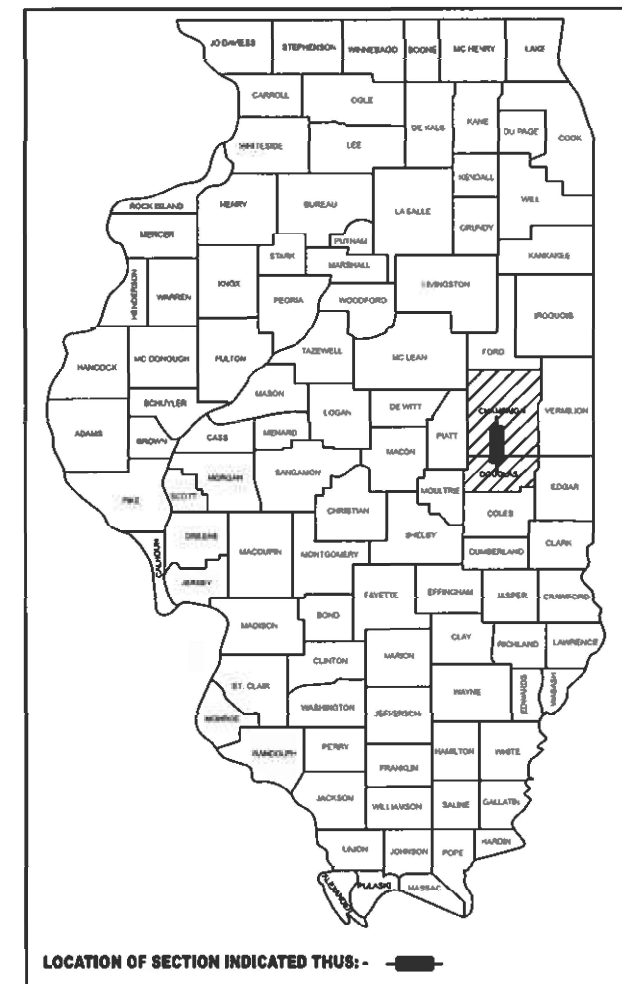


STATE OF ILLINOIS
DEPARTMENT OF TRANSPORTATION

F.A.I. RTE.	SECTION	COUNTY	TOTAL SHEETS	SHEET NO.
57	D5 CM PATCHING 2024-3	ILLINOIS	4	1
CONTRACT NO. 70G88			*DOUGLAS & CHAMPAIGN	

D-95-014-24



PROPOSED
HIGHWAY PLANS

FAI ROUTE 57 (I 57)
SECTION D5 CM PATCHING 2024-3
PATCHING
DOUGLAS & CHAMPAIGN COUNTY

C-95-033-24
0.3 MI N OF US 36 TO 0.7 MI S OF NSRR NW OF CHAMPAIGN

FOR INDEX OF SHEETS, SEE SHEET NO. 2
FOR SUMMARY OF QUANTITIES, SEE SHEET NO. 5-6

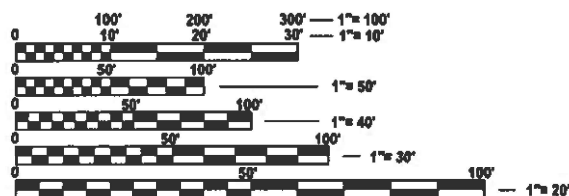
TRAFFIC DATA

FAI RTE. 57 (I 57)	LEG "A"	LEG "B"	LEG "C"	LEG "D"	LEG "E"
2023 ADT =	22,100	23,100	23,900	25,800	34,400
PV % =	59.30%	60.80%	61.00%	64.60%	64.00%
SU % =	4.50%	3.90%	4.40%	4.00%	5.20%
MU % =	36.20%	35.50%	33.90%	31.40%	30.80%

TRAFFIC DATA LOCATIONS
LEG "A" = I-57 FROM US 36 IN TUSCOLA TO US 45 IN PESOTUM
LEG "B" = I-57 FROM US 45 IN PESOTUM TO MONTICELLO RD
LEG "C" = I-57 FROM MONTICELLO RD TO CURTIS RD
LEG "D" = I-57 FROM CURTIS RD TO I-72
LEG "E" = I-57 FROM I-72 TO I-74

FUNCTIONAL CLASSIFICATION
INTERSTATE

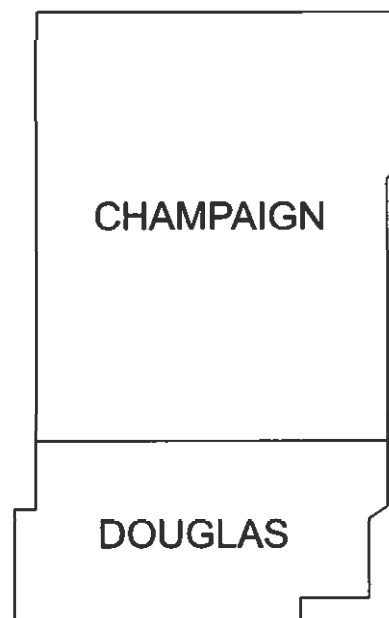
TOWNSHIPS
DOUGLAS COUNTY: TUSCOLA
CHAMPAIGN COUNTY: PESOTUM, TOLONO, CHAMPAIGN, & CHAMPAIGN CITY



FULL SIZE PLANS HAVE BEEN PREPARED USING STANDARD ENGINEERING SCALES. REDUCED SIZED PLANS WILL NOT CONFORM TO STANDARD SCALES. IN MAKING MEASUREMENTS ON REDUCED PLANS, THE ABOVE SCALES MAY BE USED.

J.U.L.I.E.
JOINT UTILITY LOCATION INFORMATION FOR EXCAVATION
1-800-892-0123
OR 811

PROJECT ENGINEER: RYAN T. CARROLL
DESIGNER: TYLER PIERSON
PHONE: 217-465-4181
CONTRACT NO. 70G88



SEE SHEETS 3 & 4 FOR LOCATION MAPS

GROSS LENGTH = 129,995.55 FT. = 24.620 MILES
NET LENGTH = 129,995.55 FT. = 24.620 MILES



STATE OF ILLINOIS
DEPARTMENT OF TRANSPORTATION

SUBMITTED 11/30 2023
Kensila Barnett swm
REGIONAL ENGINEER

February 2, 2024
Sub E. A. etc
ENGINEER OF DESIGN AND ENVIRONMENT

February 2, 2024
Stephen McQuinn
DIRECTOR OF HIGHWAYS PROJECT IMPLEMENTATION

PRINTED BY THE AUTHORITY
OF THE STATE OF ILLINOIS

INDEX OF SHEETS

<u>SHEET NO.</u>	<u>DESCRIPTION</u>
1	COVER
2	INDEX OF SHEETS, LIST OF HIGHWAY STANDARDS, GENERAL NOTES, & COMMITMENTS
3	DOUGLAS COUNTY LOCATION MAP
4	CHAMPAIGN COUNTY LOCATION MAP
5 to 6	SUMMARY OF QUANTITIES
7 to 10	FAI 74 TYPICAL CROSS-SECTIONS
11 to 12	SCHEDULE OF QUANTITIES
13 to 14	CLASS A PATCHING (SPECIAL) DETAIL

GENERAL NOTES

G.N.-100A
ELECTRONIC FILES AND/OR ELECTRONIC SURVEY INFORMATION INCLUDING CADD
FILES WILL NOT BE AVAILABLE TO THE CONTRACTOR

LIST OF STANDARDS

<u>STANDARD NO.</u>	<u>DESCRIPTION</u>
000001-08	STANDARD SYMBOLS, ABBREVIATIONS AND PATTERNS
001001-02	AREAS OF REINFORCEMENT BARS
001006	DECIMAL OF AN INCH AND OF A FOOT
442101-09	CLASS B PATCHES
701400-12	APPROACH TO LANE CLOSURE, FREEWAY/EXPRESSWAY
701401-13	LANE CLOSURE, FREEWAY/EXPRESSWAY
701411-09	LANE CLOSURE, MULTILANE, AT ENTRANCE OR EXIT RAMP, FOR SPEEDS > 45 MPH
701428-01	TRAFFIC CONTROL, SETUP AND REMOVAL, FREEWAY/EXPRESSWAY
701901-09	TRAFFIC CONTROL DEVICES

COMMITMENTS

THERE ARE NO COMMITMENTS FOR THIS CONTRACT

**STATE OF ILLINOIS
DEPARTMENT OF TRANSPORTATION**

**INDEX OF SHEETS, LIST OF STANDARDS,
GENERAL NOTES, & COMMITMENTS**

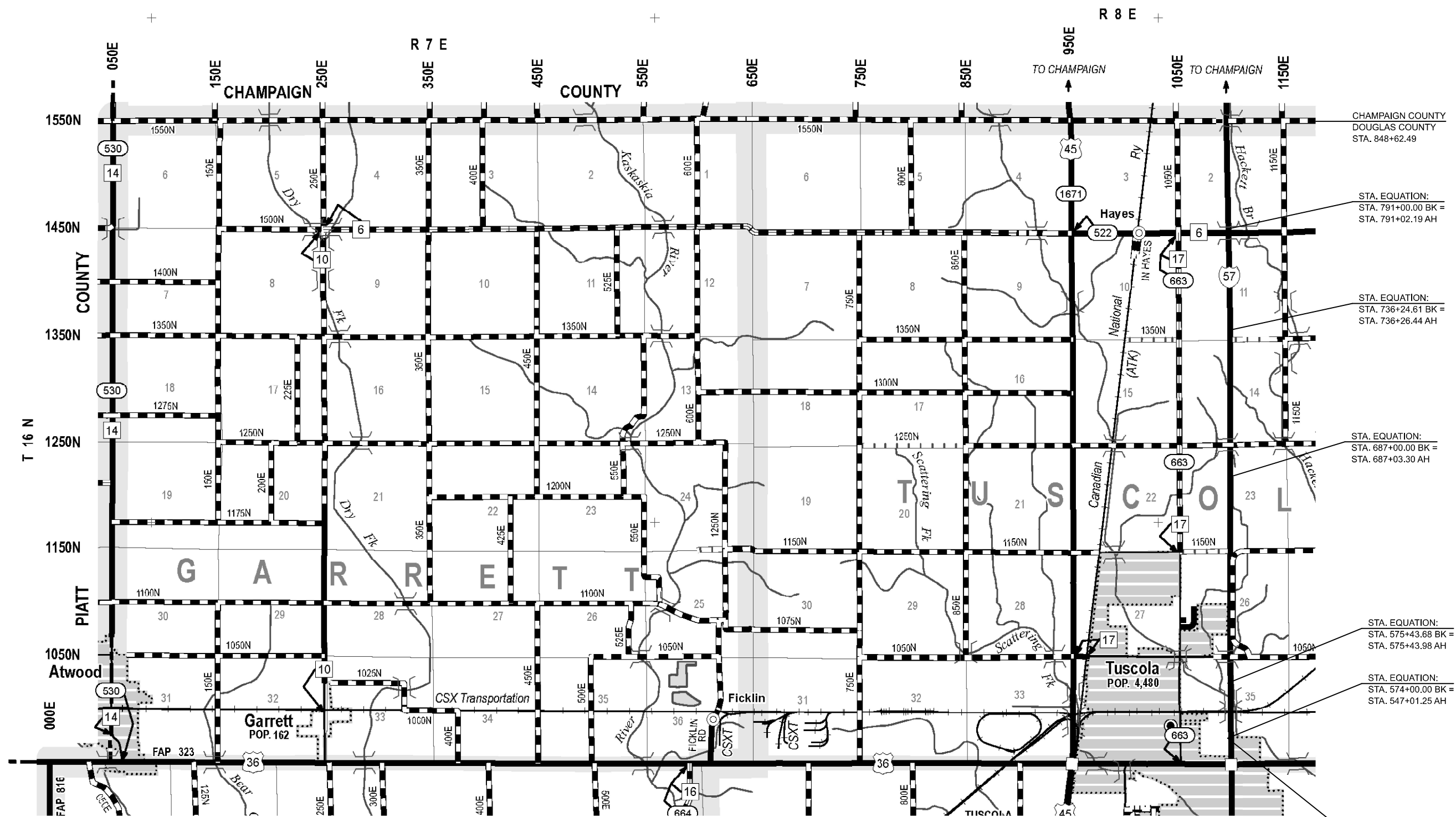
F.A.I. RTE.	SECTION	COUNTY	TOTAL SHEETS	SHEET NO.
57	D5 CM PATCHING 2024-3	-	14	2
CONTRACT NO. 70G88				

SCALE: SHEET 1 OF 1 SHEETS STA. TO STA.

ILLINOIS FED. AID PROJECT

*DOUGLAS & CHAMPAIGN

REV. 1/2/24



T 16 N
COUNTY
PIATT
Atwood

050E
150E
250E
350E
450E
550E
650E
750E
850E
950E
1050E
1150E

R 7 E
R 8 E
TO CHAMPAIGN
TO CHAMPAIGN

1550N
1450N
1350N
1250N
1150N
1050N
1000N

CHAMPAIGN COUNTY
DOUGLAS COUNTY

1550N
1400N
1350N
1250N
1175N
1100N
1050N
1025N
1000N

150E
200E
250E
300E
350E
400E
450E
500E
550E
600E
650E
700E
750E
800E
850E
900E
950E
1000E
1050E
1100E
1150E

CHAMPAIGN COUNTY
DOUGLAS COUNTY
PIATT COUNTY
TUSCOLA COUNTY

Garrett
POP. 162

Ficklin
Tuscola
POP. 4,480

CSX Transportation
Ficklin Rd
CSXT

US 530
US 14
US 45
US 1671
US 663
US 57
US 36

Kaskaskia River
Dry River
Scattering River
Ficklin River

Hayes
National Ry
Caradian

STA. EQUATION:
STA. 791+00.00 BK =
STA. 791+02.19 AH

STA. EQUATION:
STA. 736+24.61 BK =
STA. 736+26.44 AH

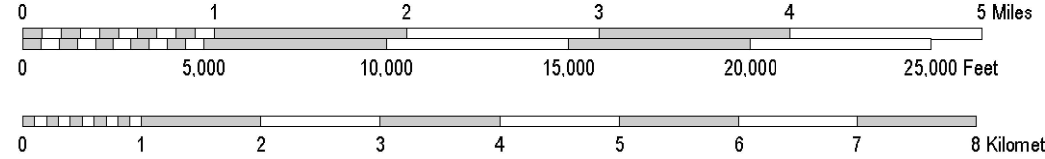
STA. EQUATION:
STA. 687+00.00 BK =
STA. 687+03.30 AH

STA. EQUATION:
STA. 575+43.68 BK =
STA. 575+43.98 AH

STA. EQUATION:
STA. 574+00.00 BK =
STA. 547+01.25 AH

BEGIN SECTION D5 CM PATCHING 2024-3
0.3 MI N OF US 36
STA. 547+01.25

SCALE FOR MAIN MAP



MODEL: Douglas County Map (Sheet)
FILE NAME: c:\pwworking\tdpierson\100229190\DWG\0570G88-ah-Maps.dwg

USER NAME = Tyler, Pierson	DESIGNED -	REVISED -
	DRAWN -	REVISED -
PLOT SCALE = 0.1666667" = 1'	CHECKED -	REVISED -
PLOT DATE = 11/1/2023	DATE -	REVISED -

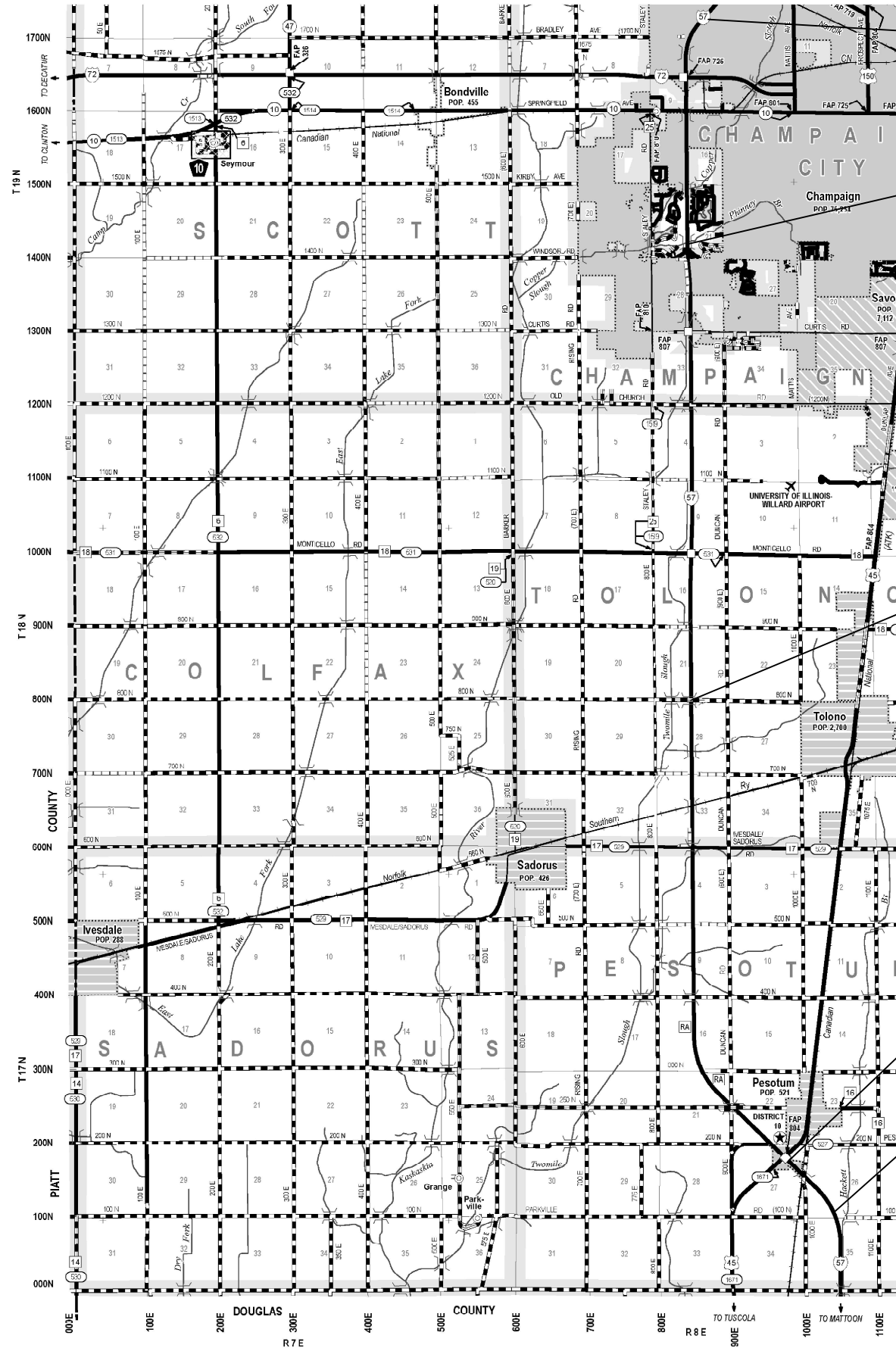
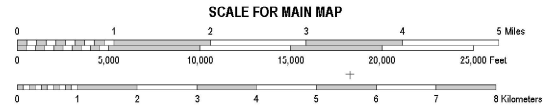
STATE OF ILLINOIS
DEPARTMENT OF TRANSPORTATION

DOUGLAS COUNTY LOCATION MAP

SCALE: Full Size 1 = 1 SHEET 1 OF 2 SHEETS STA. TO STA.

F.A.I. RTE.	SECTION	COUNTY	TOTAL SHEETS	SHEET NO.
57	D5 CM PATCHING 2024-3		14	3
CONTRACT NO. 70G88				

ILLINOIS FED. AID PROJECT *DOUGLAS & CHAMPAIGN



END SECTION D5 CM PATCHING 2024-3
0.7 MI S OF NSRR NW OF CHAMPAIGN
STA. 535+90.00

STA. EQUATION:
STA. 373+56.20 BK =
STA. 373+62.04 AH

URBAN / RURAL SPLIT
STA. 244+06.15

STA. EQUATION:
STA. 526+63.25 BK =
STA. 83+43.82 AH

STA. EQUATION:
STA. 945+52.78 BK =
STA. 104+50.00 AH

STA. EQUATION:
STA. 881+68.05 BK =
STA. 881+68.75 AH

CHAMPAIGN COUNTY
DOUGLAS COUNTY
STA. 848+62.49

MODEL: Champaign County Map [Sheet]
FILE NAME: c:\pwr\work\wfd\champaign\0029190\0570588-sh1-Maps.dgn

USER NAME = Tyler.Pierson	DESIGNED -	REVISED -
	DRAWN -	REVISED -
PLOT SCALE = 0.1666667 / in.	CHECKED -	REVISED -
PLOT DATE = 11/2/2023	DATE -	REVISED -

STATE OF ILLINOIS
DEPARTMENT OF TRANSPORTATION

CHAMPAIGN COUNTY LOCATION MAP

SCALE: SHEET 2 OF 2 SHEETS STA. TO STA.

F.A. RTE.	SECTION	COUNTY	TOTAL SHEETS	SHEET NO.
57	D5 CM PATCHING 2024-3	-	14	4
CONTRACT NO. 70G88				

ILLINOIS FED. AID PROJECT

DOUGLAS & CHAMPAIGN

SUMMARY OF QUANTITIES

LOCATION OF WORK: FUNDING BREAKOUT: CONSTRUCTION TYPE CODE:	FAI 57 (I 57) INTERSTATE RURAL STA. 547+01.25 STA. 848+62.49 DOUGLAS STATE 100% 0006	FAI 57 (I 57) INTERSTATE RURAL STA. 848+62.49 STA. 244+06.15 CHAMPAIGN STATE 100% 0006	FAI 57 (I 57) INTERSTATE URBAN STA. 244+06.15 STA. 535+90.00 CHAMPAIGN STATE 100% 0006
---	---	---	---

CODE NO.	ITEM	UNIT	TOTAL QUANTITY	QUANTITY	QUANTITY	QUANTITY
44200050	WELDED WIRE REINFORCEMENT	SQ YD	85.00			85.00
44201031	CLASS B PATCHES, TYPE II, 15 INCH	SQ YD	194.00		89.00	105.00
44201035	CLASS B PATCHES, TYPE III, 15 INCH	SQ YD	24.00			24.00
44201037	CLASS B PATCHES, TYPE IV, 15 INCH	SQ YD	61.00			61.00
44201299	DOWEL BARS 1 1/2"	EACH	422.00		152.00	270.00
44213000	PATCHING REINFORCEMENT	SQ YD	1,169.00	733.00	89.00	347.00
44213200	SAW CUTS	FOOT	3,624.00	1,650.00	644.00	1,330.00
44213204	TIE BARS 3/4"	EACH	942.00	651.00	105.00	186.00
67100100	MOBILIZATION	L SUM	1.00	0.50	0.25	0.25
70100420	TRAFFIC CONTROL AND PROTECTION, STANDARD 701411	EACH	24.00	4.00	8.00	12.00
70100800	TRAFFIC CONTROL AND PROTECTION, STANDARD 701401	L SUM	1.00	0.50	0.25	0.25
70103815	TRAFFIC CONTROL SURVEILLANCE	CAL DA	12.00	6.00	3.00	3.00
70107025	CHANGEABLE MESSAGE SIGN	CAL DA	36.00	18.00	1.50	16.50
X4420583	CLASS A PATCHES, TYPE II, 13 INCH (SPECIAL)	SQ YD	98.00	62.00	22.00	14.00
* DENOTES SPECIALTY ITEM						

MODEL: SOQ (Sheet)
 FILE NAME: c:\p\work\wv\wv\person\j0020190\ID570588-shr-SOQ.dgn

USER NAME = Tyler.Pierson	DESIGNED -	REVISED -	
	DRAWN -	REVISED -	
PLOT SCALE = 0.16666667 / in.	CHECKED -	REVISED -	
PLOT DATE = 11/15/2023	DATE -	REVISED -	

**STATE OF ILLINOIS
DEPARTMENT OF TRANSPORTATION**

SUMMARY OF QUANTITIES

SCALE: SHEET 1 OF 2 SHEETS STA. TO STA.

F.A.I. RTE.	SECTION	COUNTY	TOTAL SHEETS	SHEET NO.
57	D5 CM PATCHING 2024-3	-	14	5
CONTRACT NO. 70G88				
ILLINOIS FED. AID PROJECT				

*DOUGLAS & CHAMPAIGN

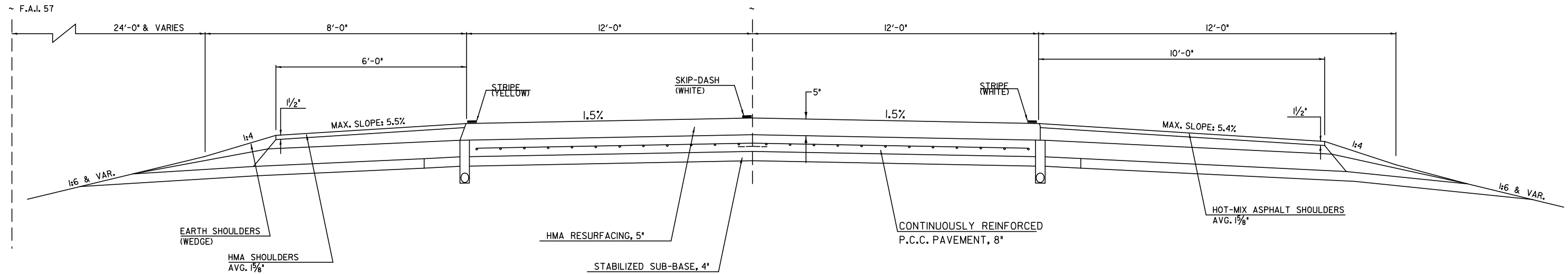
1 EXISTING TYPICAL SECTION

STATION	TO	STATION
547+01.25 AH		575+43.68 BK
575+43.98 AH		687+00.00 BK
687+03.30 AH		736+24.61 BK
736+26.41 AH		791+00.00 BK
791+02.19 AH		843+84.01 BK
843+85.95 AH		881+68.05 BK ②
② 927+43.92		945+52.78 BK ③

DOUGLAS / CHAMPAIGN COUNTY LINE
STA. 848+62.49

DOUGLAS COUNTY STA. EQUATIONS
 STA. 574+00.00 BK = STA. 547+01.25 AH
 STA. 575+43.68 BK = STA. 575+43.98 AH
 STA. 687+00.00 BK = STA. 687+03.30 AH
 STA. 736+24.61 BK = STA. 736+26.44 AH
 STA. 791+00.00 BK = STA. 791+02.19 AH

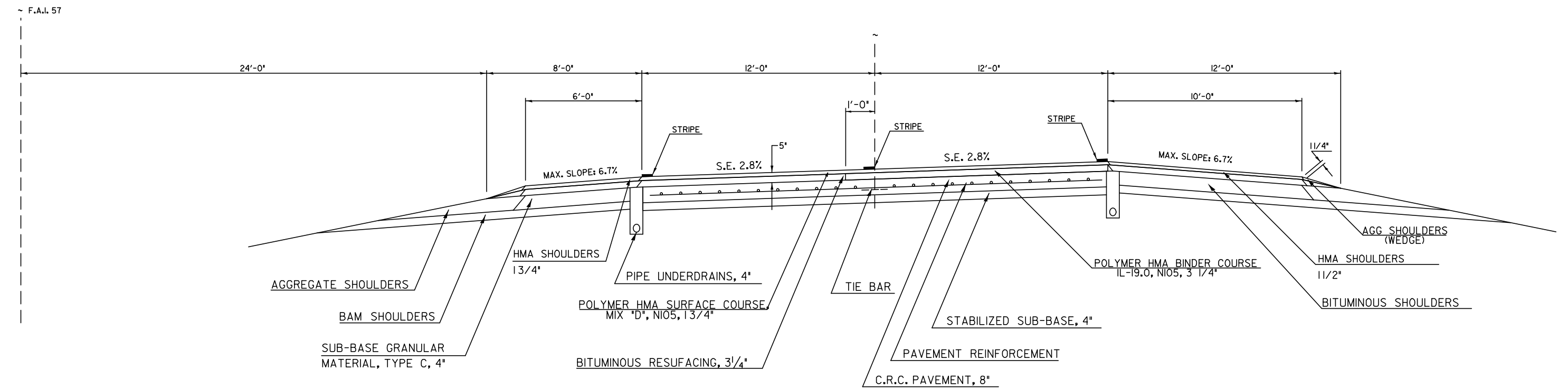
CHAMPAIGN COUNTY STA. EQUATIONS
 STA. 881+68.05 BK = STA. 881+68.75 AH
 STA. 945+52.78 BK = STA. 104+50.00 AH
 STA. 526+63.25 BK = STA. 83+43.82 AH
 STA. 373+56.20 BK = STA. 373+62.04 AH



2 EXISTING TYPICAL SECTION

STATION	TO	STATION
① 881+68.75 AH		927+43.92 ①

CHAMPAIGN COUNTY



MODEL: Typical-1 (Sheet)
FILE NAME: c:\pwworking\tdoliperson\10020190\0570588-ah-1-Typical Cross Sections.dgn

USER NAME = Tyler.Pierson	DESIGNED -	REVISED -
PLOT SCALE = 0.16666667 / in.	DRAWN -	REVISED -
PLOT DATE = 11/1/2023	CHECKED -	REVISED -
	DATE -	REVISED -

STATE OF ILLINOIS
DEPARTMENT OF TRANSPORTATION

F.A.I. 57 (I 57) TYPICAL CROSS-SECTIONS

SCALE: SHEET 1 OF 4 SHEETS STA. TO STA.

F.A.I. RTE.	SECTION	COUNTY	TOTAL SHEETS	SHEET NO.
57	D5 CM PATCHING 2024-3		14	7

CONTRACT NO. 70G88

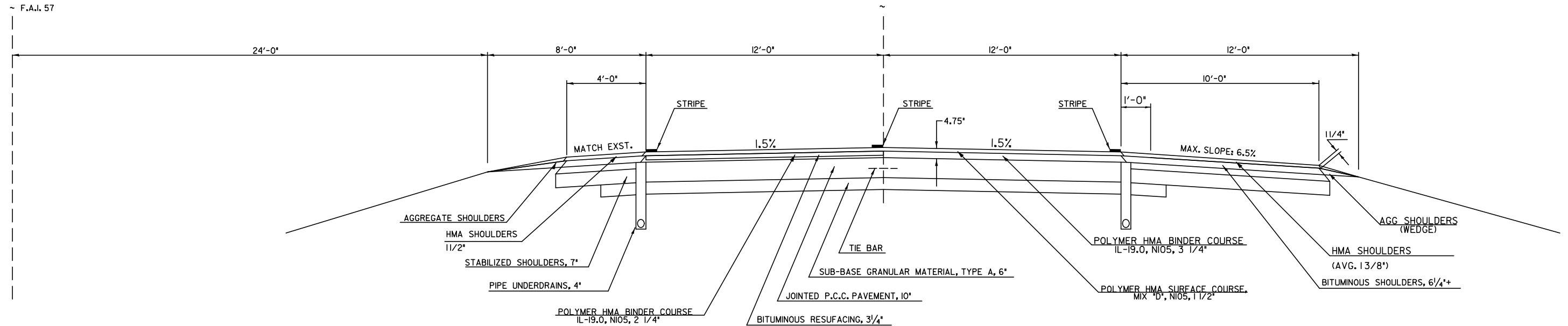
ILLINOIS FED. AID PROJECT *DOUGLAS & CHAMPAIGN

3 EXISTING TYPICAL SECTION

CHAMPAIGN COUNTY STA. EQUATIONS
 STA. 945+52.78 BK = STA. 104+50.00 AH

STATION TO STATION
 1 104+50.00 AH 350+00.00 4

CHAMPAIGN COUNTY

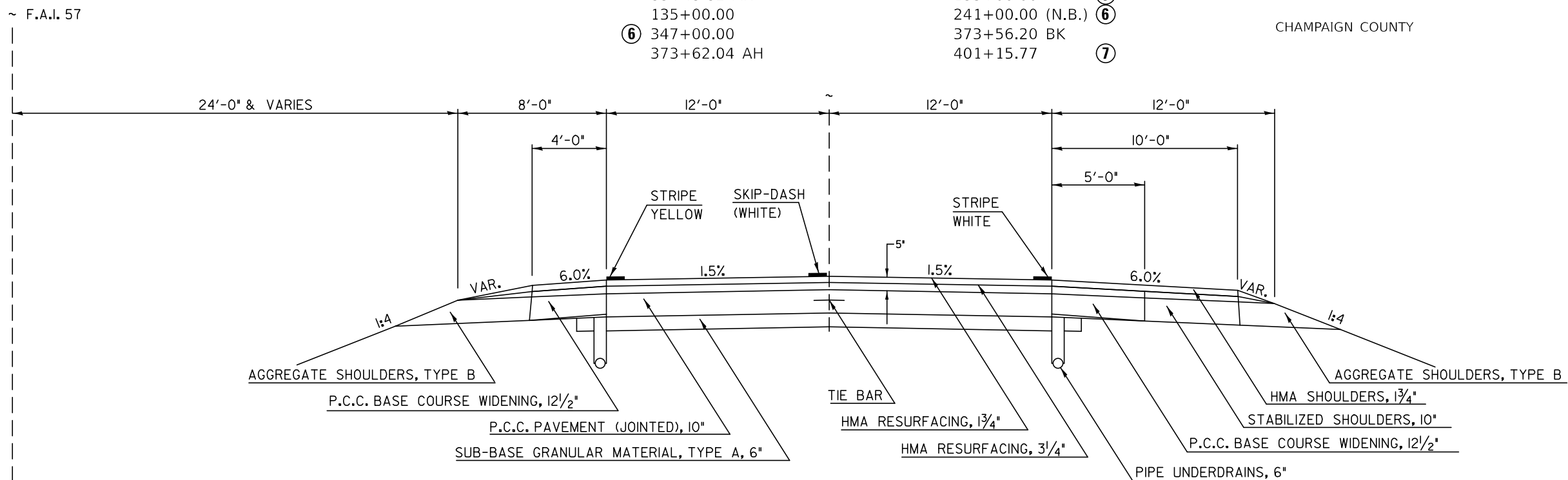


4 EXISTING TYPICAL SECTION

CHAMPAIGN COUNTY STA. EQUATIONS
 STA. 526+63.25 BK = STA. 83+43.82 AH
 STA. 373+56.20 BK = STA. 373+62.04 AH

STATION TO STATION
 3 350+00.00 526+63.25 BK
 83+43.82 AH 135+00.00 5
 135+00.00 241+00.00 (N.B.) 6
 6 347+00.00 373+56.20 BK
 373+62.04 AH 401+15.77 7

CHAMPAIGN COUNTY



MODEL: Typical-2 (Sheet)
 FILE NAME: c:\p\work\wtd\pierson\0029190\0570588-ah\Typical Cross Sections.dgn

USER NAME = Tyler.Plerson	DESIGNED -	REVISED -
	DRAWN -	REVISED -
PLOT SCALE = 0.1666667 / in.	CHECKED -	REVISED -
PLOT DATE = 11/2/2023	DATE -	REVISED -

STATE OF ILLINOIS
 DEPARTMENT OF TRANSPORTATION

F.A.I. 57 (I 57) TYPICAL CROSS-SECTIONS

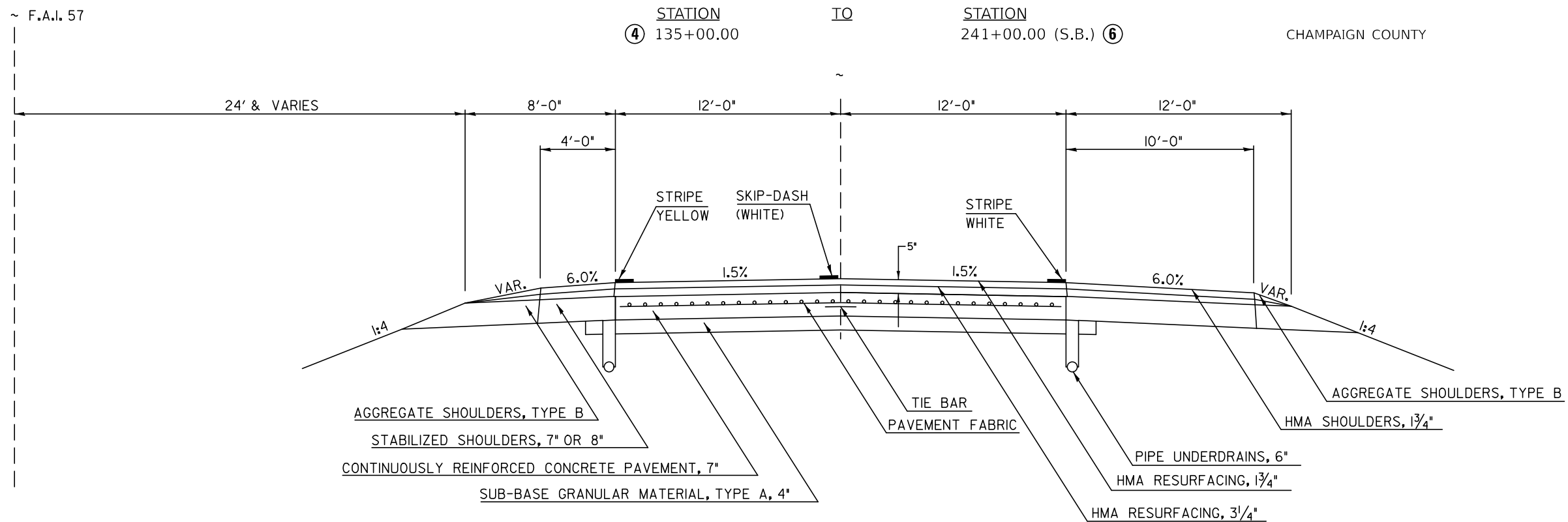
SCALE: SHEET 2 OF 4 SHEETS STA. TO STA.

F.A.I. RTE.	SECTION	COUNTY	TOTAL SHEETS	SHEET NO.
57	D5 CM PATCHING 2024-3		14	8
CONTRACT NO. 70G88				

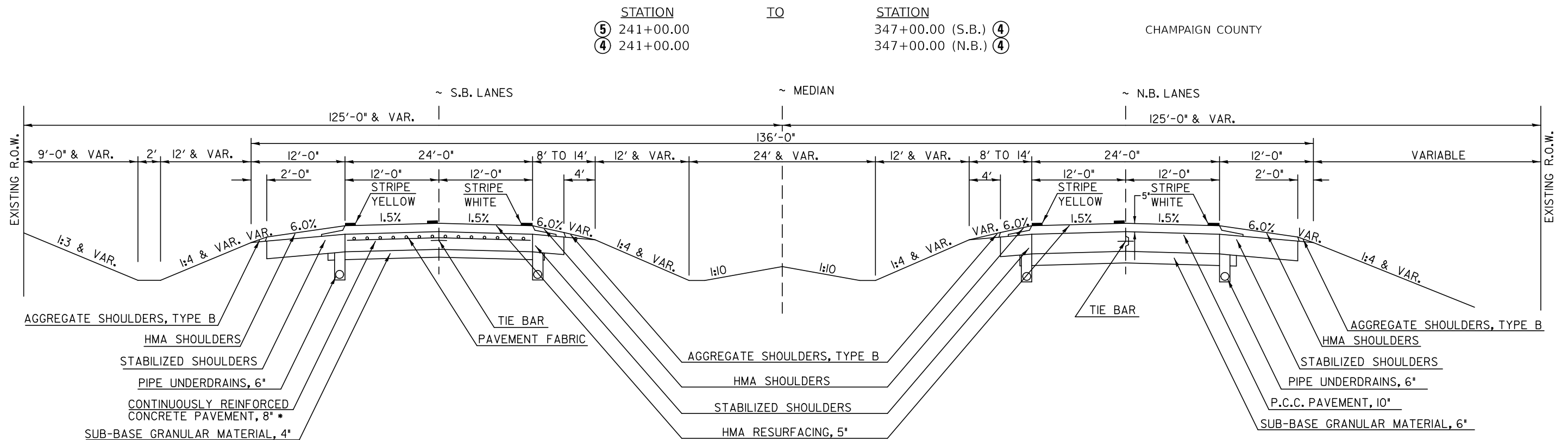
ILLINOIS FED. AID PROJECT

*DOUGLAS & CHAMPAIGN

5 EXISTING TYPICAL SECTION



6 EXISTING TYPICAL SECTION



*NOTE:
STA. 241+00.00 TO STA. 347+00.00 - CRC PAVEMENT, 8 INCHES

USER NAME = Tyler.Pierson	DESIGNED -	REVISED -
	DRAWN -	REVISED -
PLOT SCALE = 0.1666667' / in.	CHECKED -	REVISED -
PLOT DATE = 11/2/2023	DATE -	REVISED -

STATE OF ILLINOIS
DEPARTMENT OF TRANSPORTATION

F.A.I. 57 (I 57) TYPICAL CROSS-SECTIONS

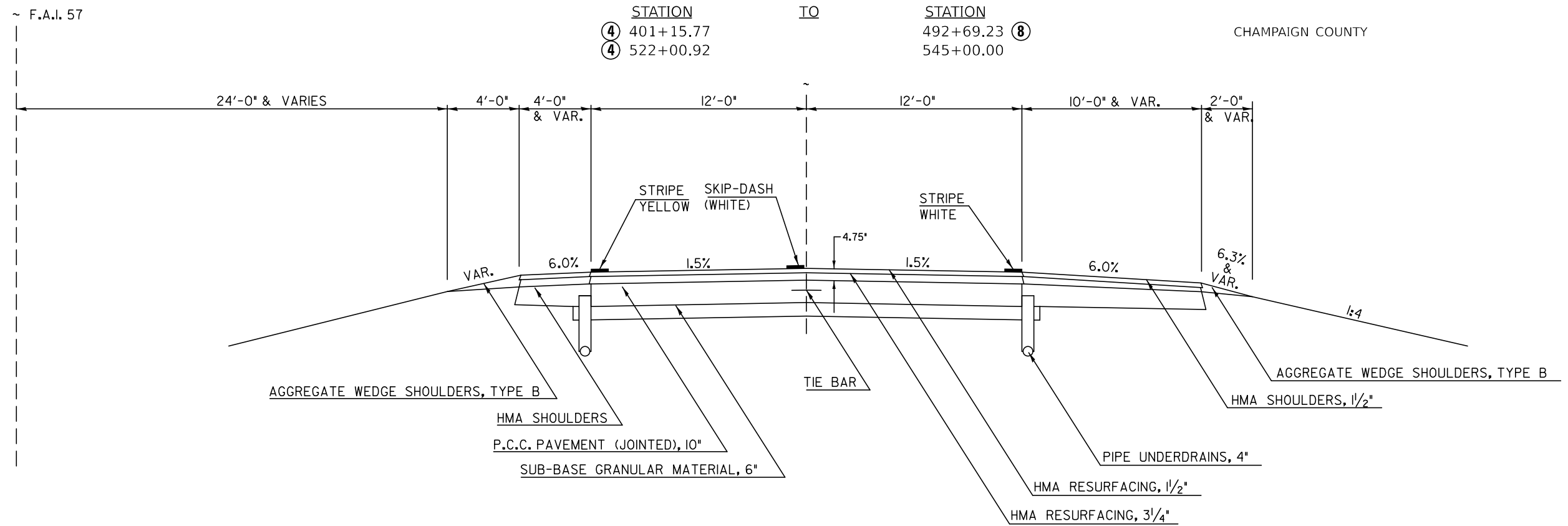
SCALE: SHEET 3 OF 4 SHEETS STA. TO STA.

F.A.I. RTE.	SECTION	COUNTY	TOTAL SHEETS	SHEET NO.
57	D5 CM PATCHING 2024-3	-	14	9
CONTRACT NO. 70G88				

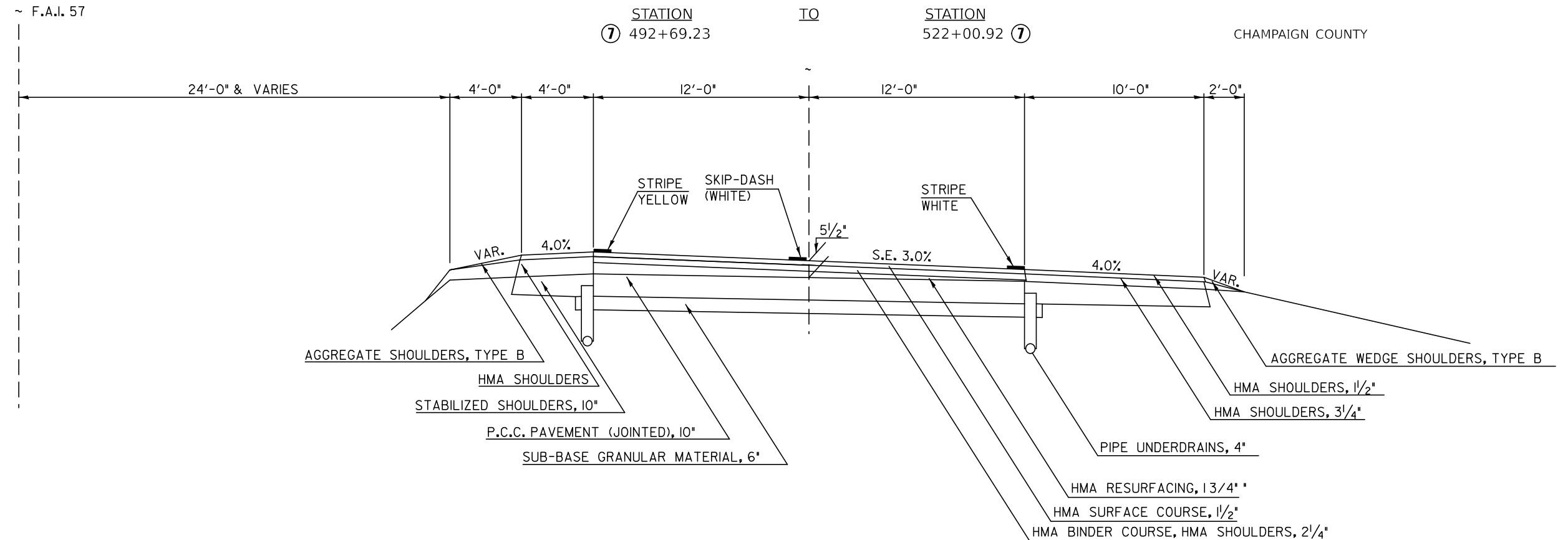
ILLINOIS FED. AID PROJECT *DOUGLAS & CHAMPAIGN

MODEL: Typical-5 (Sheet)
FILE NAME: c:\pwworking\pierson\100220190\0570588-shr-Typical Cross Sections.dgn

7 EXISTING TYPICAL SECTION



8 EXISTING TYPICAL SECTION



MODEL: Typical-I (Sheet)
FILE NAME: c:\pwworking\tdpierson\10020190\0570588-shr-Typical Cross Sections.dgn

USER NAME = Tyler.Pierson	DESIGNED -	REVISED -
	DRAWN -	REVISED -
PLOT SCALE = 0.16666667 / in.	CHECKED -	REVISED -
PLOT DATE = 11/2/2023	DATE -	REVISED -

STATE OF ILLINOIS
DEPARTMENT OF TRANSPORTATION

F.A.I. 57 (I 57) TYPICAL CROSS-SECTIONS

SCALE: SHEET 4 OF 4 SHEETS STA. TO STA.

F.A.I. RTE.	SECTION	COUNTY	TOTAL SHEETS	SHEET NO.
57	D5 CM PATCHING 2024-3	-	14	10
CONTRACT NO. 70G88				

ILLINOIS FED. AID PROJECT

*DOUGLAS & CHAMPAIGN

SCHEDULES OF QUANTITIES

NORTHBOUND CLASS A PATCHING SPECIAL SCHEDULE																	
TYPICAL	PCC	STA	RURAL	URBAN	LANE	LENGTH	WIDTH	AREA	AREA	COUNTY	44213000	44213200	44213204	44213204	X4420583	X4420585	X4420587
											PATCH REINFORCEMENT	SAW CUTS	TIE BARS, 3/4" (TRANS.)	TIE BARS, 3/4" (LONG.)	CLASS A PATCHES, TYPE II, 13 INCH, SPECIAL	CLASS A PATCHES, TYPE III, 13 INCH, SPECIAL	CLASS A PATCHES, TYPE IV, 13 INCH, SPECIAL
						FT	FT	SQ FT	SQ YD		SQ YD	FOOT	EACH	EACH	SQ YD	SQ YD	SQ YD
1	CRC	578+98	RURAL	DL	15	12	180.00	20.00	DOUGLAS	20.00	54.00	22.00				20.00	
1	CRC	580+84	RURAL	DL	50	12	600.00	66.67	DOUGLAS	66.67	124.00	22.00	17.00				66.67
1	CRC	584+28	RURAL	DL	14	12	168.00	18.67	DOUGLAS	18.67	52.00	22.00			18.67		
1	CRC	584+08	RURAL	PL	10	12	120.00	13.33	DOUGLAS	13.33	44.00	22.00		13.33			
1	CRC	584+48	RURAL	DL	14	12	168.00	18.67	DOUGLAS	18.67	52.00	22.00			18.67		
1	CRC	585+28	RURAL	PL	80	12	960.00	106.67	DOUGLAS	106.67	184.00	22.00	27.00				106.67
1	CRC	599+10	RURAL	PL	30	12	360.00	40.00	DOUGLAS	40.00	84.00	22.00	10.00				40.00
1	CRC	600+03	RURAL	PL	6	12	72.00	8.00	DOUGLAS	8.00	36.00	22.00		8.00			
1	CRC	669+80	RURAL	PL	30	12	360.00	40.00	DOUGLAS	40.00	84.00	22.00	10.00				40.00
1	CRC	670+72	RURAL	PL	50	12	600.00	66.67	DOUGLAS	66.67	124.00	22.00	17.00				66.67
1	CRC	685+90	RURAL	DL	20	12	240.00	26.67	DOUGLAS	26.67	64.00	22.00	7.00				26.67
1	CRC	685+93	RURAL	PL	6	12	72.00	8.00	DOUGLAS	8.00	36.00	22.00		8.00			
1	CRC	686+23	RURAL	DL	35	12	420.00	46.67	DOUGLAS	46.67	94.00	22.00	12.00				46.67
1	CRC	686+47	RURAL	PL	25	12	300.00	33.33	DOUGLAS	33.33	74.00	22.00	8.00				33.33
1	CRC	718+62	RURAL	DL	10	12	120.00	13.33	DOUGLAS	13.33	44.00	22.00		13.33			
2	CRC	887+80	RURAL	PL	20	12	240.00	26.67	CHAMPAIGN	26.67	64.00	22.00	7.00				26.67
2	CRC	906+75	RURAL	PL	30	12	360.00	40.00	CHAMPAIGN	40.00	84.00	22.00	10.00				40.00
NORTHBOUND TOTALS =											593.35	1,298.00	374.00	125.00	42.67	57.33	493.33
NORTHBOUND DOUGLAS RURAL TOTALS =											526.68	1,150.00	330.00	108.00	42.67	57.33	426.67
NORTHBOUND ROUNDED DOUGLAS RURAL TOTALS =											527.00	1,150.00	330.00	108.00	43.00	58.00	427.00
NORTHBOUND CHAMPAIGN RURAL TOTALS =											66.67	148.00	44.00	17.00			66.67
NORTHBOUND ROUNDED CHAMPAIGN RURAL TOTALS =											67.00	148.00	44.00	17.00			67.00
NORTHBOUND ROUNDED RURAL TOTALS =											594.00	1,298.00	374.00	125.00	43.00	58.00	494.00
TOTALS =											594.00	1,298.00	374.00	125.00	43.00	58.00	494.00

SOUTHBOUND CLASS A PATCHING SPECIAL SCHEDULE																	
TYPICAL	PCC	STA	RURAL	URBAN	LANE	LENGTH	WIDTH	AREA	AREA	COUNTY	44213000	44213200	44213204	44213204	X4420583	X4420585	X4420587
											PATCH REINFORCEMENT	SAW CUTS	TIE BARS, 3/4" (TRANS.)	TIE BARS, 3/4" (LONG.)	CLASS A PATCHES, TYPE II, 13 INCH, SPECIAL	CLASS A PATCHES, TYPE III, 13 INCH, SPECIAL	CLASS A PATCHES, TYPE IV, 13 INCH, SPECIAL
						FT	FT	SQ FT	SQ YD		SQ YD	FOOT	EACH	EACH	SQ YD	SQ YD	SQ YD
1	CRC	581+10	RURAL	DL	18	12	216.00	24.00	DOUGLAS	24.00	60.00	22.00				24.00	
1	CRC	583+35	RURAL	DL	20	12	240.00	26.67	DOUGLAS	26.67	64.00	22.00	7.00				26.67
1	CRC	686+32	RURAL	DL	40	12	480.00	53.33	DOUGLAS	53.33	104.00	22.00	13.00				53.33
1	CRC	728+73	RURAL	DL	8	12	96.00	10.67	DOUGLAS	10.67	40.00	22.00		10.67			
1	CRC	733+50	RURAL	DL	30	12	360.00	40.00	DOUGLAS	40.00	84.00	22.00	10.00				40.00
1	CRC	794+60	RURAL	DL	20	12	240.00	26.67	DOUGLAS	26.67	64.00	22.00	7.00				26.67
1	CRC	795+10	RURAL	DL	12	12	144.00	16.00	DOUGLAS	16.00	48.00	22.00			16.00		
1	CRC	842+50	RURAL	DL	6	12	72.00	8.00	DOUGLAS	8.00	36.00	22.00		8.00			
5	CRC	236+93	RURAL	DL	8	12	96.00	10.67	CHAMPAIGN	10.67	40.00	22.00		10.67			
5	CRC	236+93	RURAL	PL	8	12	96.00	10.67	CHAMPAIGN	10.67	40.00	22.00		10.67			
6	CRC	256+98	URBAN	PL	10	12	120.00	13.33	CHAMPAIGN	13.33	44.00	22.00		13.33			
6	CRC	258+50	URBAN	DL	100	12	1,200.00	133.33	CHAMPAIGN	133.33	224.00	22.00	33.00				133.33
6	CRC	258+50	URBAN	PL	100	12	1,200.00	133.33	CHAMPAIGN	133.33	224.00	22.00	33.00				133.33
6	CRC	260+61	URBAN	DL	50	12	600.00	66.67	CHAMPAIGN	66.67	124.00	22.00	17.00				66.67
SOUTHBOUND TOTALS =											573.34	1,196.00	308.00	120.00	53.33	40.00	480.00
SOUTHBOUND DOUGLAS RURAL TOTALS =											205.34	500.00	176.00	37.00	18.67	40.00	146.67
SOUTHBOUND ROUNDED DOUGLAS RURAL TOTALS =											206.00	500.00	176.00	37.00	19.00	40.00	147.00
SOUTHBOUND CHAMPAIGN RURAL TOTALS =											21.34	80.00	44.00		21.33		
SOUTHBOUND CHAMPAIGN URBAN TOTALS =											346.66	616.00	88.00	83.00	13.33		333.33
SOUTHBOUND ROUNDED CHAMPAIGN RURAL TOTALS =											22.00	80.00	44.00		22.00		
SOUTHBOUND ROUNDED CHAMPAIGN URBAN TOTALS =											347.00	616.00	88.00	83.00	14.00		334.00
SOUTHBOUND ROUNDED TOTALS =											369.00	696.00	132.00	83.00	36.00		334.00
DOUGLAS RURAL TOTALS =											733.00	1,650.00	506.00	145.00	62.00	98.00	574.00
CHAMPAIGN RURAL TOTALS =											89.00	228.00	88.00	17.00	22.00		67.00
CHAMPAIGN URBAN TOTALS =											347.00	616.00	88.00	83.00	14.00		334.00
TOTALS =											1,169.00	2,494.00	682.00	245.00	98.00	98.00	975.00

MODEL: Schedule (Sheet)
FILE NAME: c:\pwworking\tdpierson\0029190\0570588-shr-Schedule.dgn

USER NAME = Tyler.Pierson	DESIGNED -	REVISED -	STATE OF ILLINOIS DEPARTMENT OF TRANSPORTATION	SCHEDULES OF QUANTITIES				F.A.I. RTE.	SECTION	COUNTY	TOTAL SHEETS	SHEET NO.
PLOT SCALE = 0.1666667 / in.	DRAWN -	REVISED -		57	D5 CM PATCHING 2024-3	-	14	II				
PLOT DATE = 11/9/2023	CHECKED -	REVISED -		CONTRACT NO. 70G88				ILLINOIS FED. AID PROJECT				
	DATE -	REVISED -		SCALE:	SHEET 1 OF 2 SHEETS	STA.	TO STA.	*DOUGLAS & CHAMPAIGN				

SCHEDULES OF QUANTITIES

NORTHBOUND CLASS B PATCHING SCHEDULE																			
TYPICAL	PCC	STA	RURAL	URBAN	LANE	LENGTH FT	WIDTH FT	AREA SQ FT	AREA SQ YD	COUNTY	44200050	44201031	44201035	44201037	44201299	44213200	44213204		
											WELDED WIRE REINF SQ YD	CLASS B PATCHES, TYPE II, 15 INCH, SQ YD	CLASS B PATCHES, TYPE III, 15 INCH, SQ YD	CLASS B PATCHES, TYPE IV, 15 INCH, SQ YD	DOWEL BARS 1 1/2" EACH	SAW CUTS FOOT	TIE BARS 3/4" EACH		
3	JOINTED	133+77	RURAL		DL	10	12	120.00	13.33	CHAMPAIGN		13.33			20.00	56.00			
3	JOINTED	133+77	RURAL		PL	10	12	120.00	13.33	CHAMPAIGN		13.33			20.00	56.00			
3	JOINTED	133+77	RURAL		OTHER	10	8	80.00	8.89	CHAMPAIGN		8.89			12.00	44.00			
3	JOINTED	156+69	RURAL		PL	8	12	96.00	10.67	CHAMPAIGN		10.67			20.00	52.00			
4	JOINTED	155+66	RURAL		PL	8	12	96.00	10.67	CHAMPAIGN		10.67			20.00	52.00			
4	JOINTED	161+75	RURAL		DL	8	12	96.00	10.67	CHAMPAIGN		10.67			20.00	52.00			
4	JOINTED	161+75	RURAL		PL	8	12	96.00	10.67	CHAMPAIGN		10.67			20.00	52.00			
4	JOINTED	219+85	RURAL		DL	8	12	96.00	10.67	CHAMPAIGN		10.67			20.00	52.00			
6	JOINTED	298+01	URBAN		DL	10	12	120.00	13.33	CHAMPAIGN		13.33			20.00	56.00			
6	JOINTED	298+01	URBAN		PL	10	12	120.00	13.33	CHAMPAIGN		13.33			20.00	56.00			
4	JOINTED	360+80	URBAN		DL	10	12	120.00	13.33	CHAMPAIGN		13.33			20.00	56.00			
7	JOINTED	420+05	URBAN		DL	8	12	96.00	10.67	CHAMPAIGN		10.67			20.00	52.00			
7	JOINTED	421+00	URBAN		DL	18	12	216.00	24.00	CHAMPAIGN	24.00		24.00		30.00	72.00			
7	JOINTED	429+05	URBAN		PL	8	12	96.00	10.67	CHAMPAIGN		10.67			20.00	52.00			
7	JOINTED	429+95	URBAN		DL	20	12	240.00	26.67	CHAMPAIGN	26.67			26.67	30.00	76.00	7.00		
NORTHBOUND TOTALS =											50.67	150.22	24.00	26.67	312.00	836.00	7.00		
NORTHBOUND CHAMPAIGN RURAL TOTALS =												88.89			152.00	416.00			
NORTHBOUND CHAMPAIGN URBAN TOTALS =											50.67	61.33	24.00	26.67	160.00	420.00	7.00		
NORTHBOUND ROUNDED CHAMPAIGN RURAL TOTALS =												89.00			152.00	416.00			
NORTHBOUND ROUNDED CHAMPAIGN URBAN TOTALS =											51.00	62.00	24.00	27.00	160.00	420.00	7.00		
NORTHBOUND ROUNDED TOTALS =											51.00	151.00	24.00	27.00	312.00	836.00	7.00		

SOUTHBOUND CLASS B PATCHING SCHEDULE																			
TYPICAL	PCC	STA	RURAL	URBAN	LANE	LENGTH FT	WIDTH FT	AREA SQ FT	AREA SQ YD	COUNTY	44200050	44201031	44201035	44201037	44201299	44213200	44213204		
											WELDED WIRE REINF SQ YD	CLASS B PATCHES, TYPE II, 15 INCH, SQ YD	CLASS B PATCHES, TYPE III, 15 INCH, SQ YD	CLASS B PATCHES, TYPE IV, 15 INCH, SQ YD	DOWEL BARS 1 1/2" EACH	SAW CUTS FOOT	TIE BARS 3/4" EACH		
7	JOINTED	473+95	URBAN		DL	6	12	72.00	8.00	CHAMPAIGN		8.00			20.00	48.00			
7	JOINTED	474+66	URBAN		DL	25	12	300.00	33.33	CHAMPAIGN	33.33			33.33	30.00	86.00	8.00		
8	JOINTED	511+67	URBAN		DL	8	12	96.00	10.67	CHAMPAIGN		10.67			20.00	52.00			
8	JOINTED	512+69	URBAN		DL	8	12	96.00	10.67	CHAMPAIGN		10.67			20.00	52.00			
7	JOINTED	535+90	URBAN		DL	10	12	120.00	13.33	CHAMPAIGN		13.33			20.00	56.00			
SOUTHBOUND CHAMPAIGN URBAN TOTALS =											33.33	42.67		33.33	110.00	294.00	8.00		
SOUTHBOUND ROUNDED CHAMPAIGN URBAN TOTALS =											34.00	43.00		34.00	110.00	294.00	8.00		
CHAMPAIGN RURAL TOTALS =												89.00			152.00	416.00			
CHAMPAIGN URBAN TOTALS =											85.00	105.00	24.00	61.00	270.00	714.00	15.00		
TOTALS =											85.00	194.00	24.00	61.00	422.00	1,130.00	15.00		

MODEL: Schedule-2 (Sheet)
FILE NAME: c:\p\work\wtd\plerson\0020190\0570588-shr-Schedule.dgn

USER NAME = Tyler.Plerson	DESIGNED -	REVISED -
	DRAWN -	REVISED -
PLOT SCALE = 0.1666667 / in.	CHECKED -	REVISED -
PLOT DATE = 11/15/2023	DATE -	REVISED -

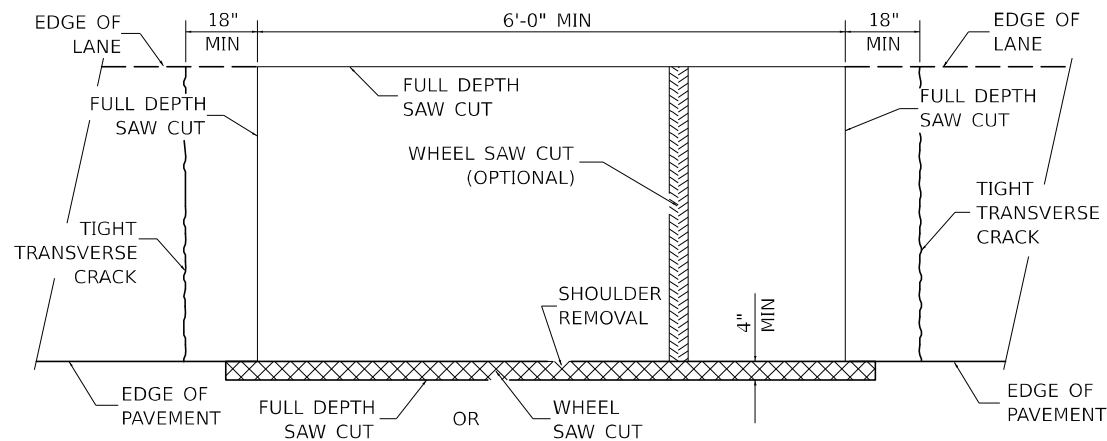
**STATE OF ILLINOIS
DEPARTMENT OF TRANSPORTATION**

SCHEDULES OF QUANTITIES

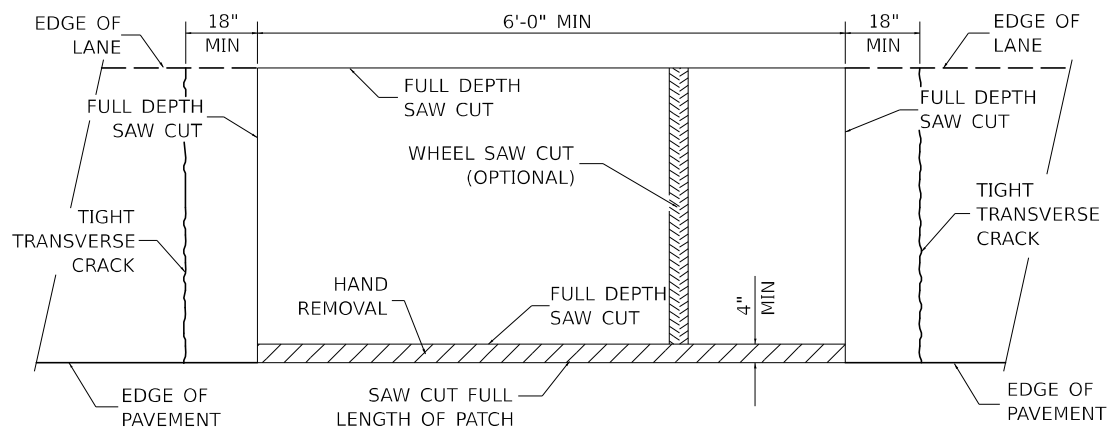
SCALE: SHEET 2 OF 2 SHEETS STA. TO STA.

F.A.I. RTE.	SECTION	COUNTY	TOTAL SHEETS	SHEET NO.
57	D5 CM PATCHING 2024-3	-	14	12
CONTRACT NO. 70G88				
ILLINOIS		FED. AID PROJECT		

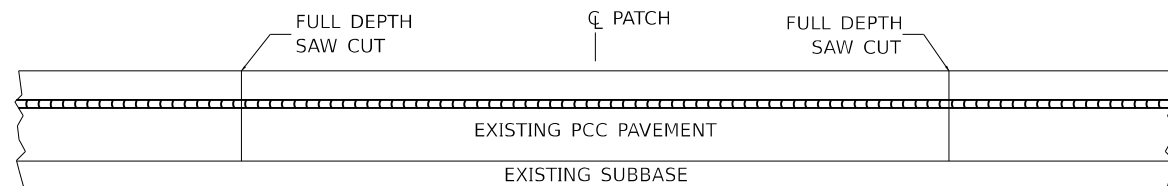
*DOUGLAS & CHAMPAIGN



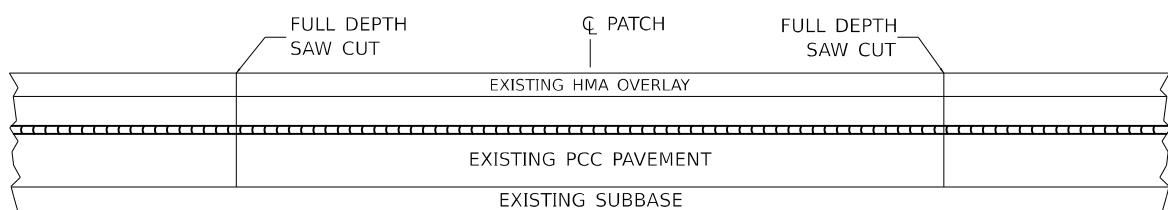
**PAVEMENT SAWING DETAIL
(HMA SHOULDER)**



**PAVEMENT SAWING DETAIL
(PCC SHOULDER)**

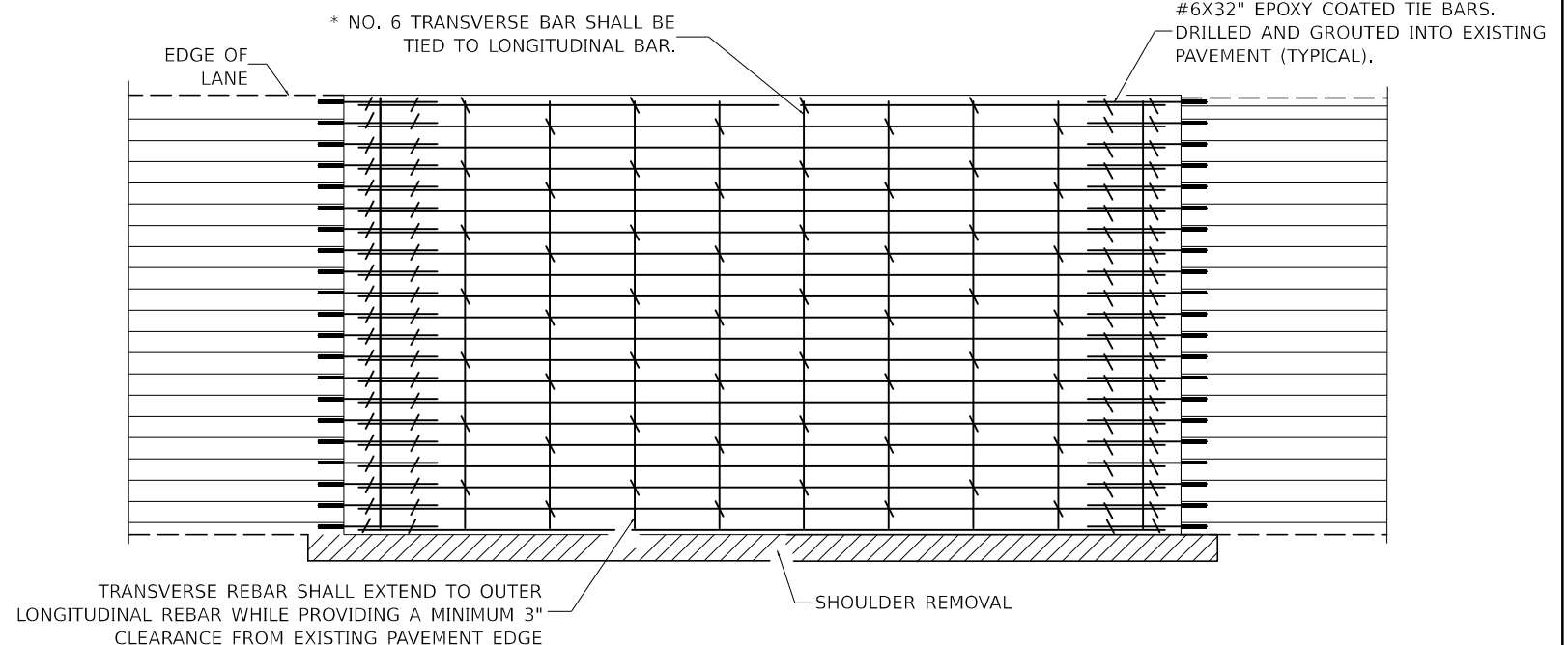


EXISTING PAVEMENT WITHOUT HMA SURFACE

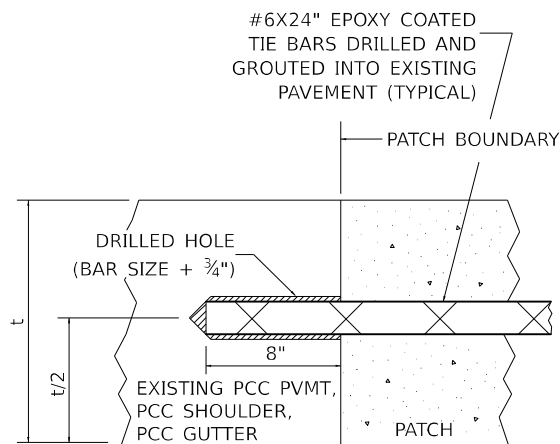


EXISTING PAVEMENT WITH HMA SURFACE

**PAVEMENT SAWING DETAIL FOR CLASS A PATCHING
(CRC PAVEMENT)**



PAVEMENT REINFORCEMENT DETAIL



LONGITUDINAL CONSTRUCTION JOINT

PATCHES MORE THAN 20' IN LENGTH SHALL BE TIED TO ADJACENT PAVEMENT, PCC SHOULDERS OR PCC CURB AND GUTTER WITH #6x24" EPOXY COATED TIE BARS AT 24" CENTERS.

NOTES:

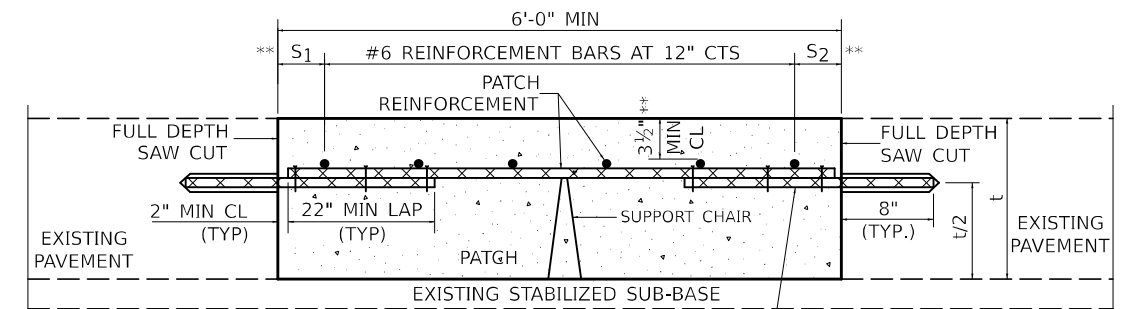
EXISTING LONGITUDINAL REINFORCEMENT SPACING; $\pm 6\frac{1}{2}$ ".

SPACING OF NEW LONGITUDINAL REINFORCEMENT AND NEW LONGITUDINAL TIE BARS SHALL MATCH SPACING OF EXISTING REINFORCEMENT AND SHALL BE TIED TOGETHER WITH A MINIMUM OF TWO TIES PER BAR.

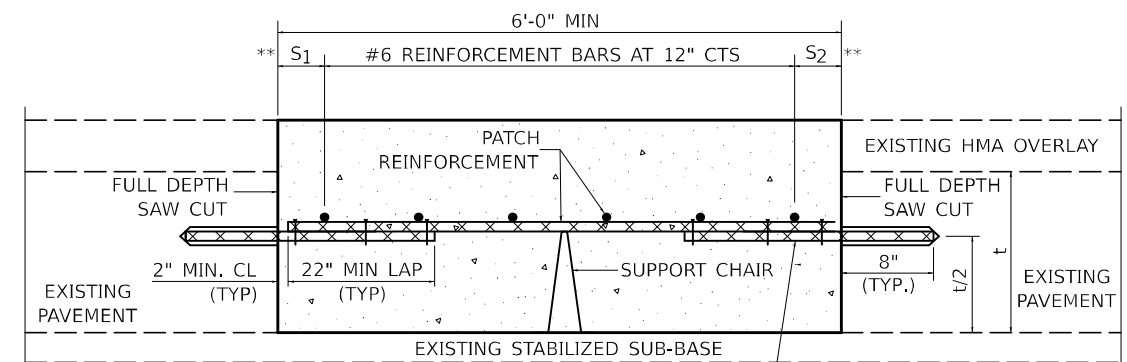
SUPPORT CHAIRS SHALL BE REQUIRED WHENEVER PATCH LENGTH EXCEEDS 6'-0"

* EVERY THIRD INTERSECTION MUST BE TIED. WHEN THE MINIMUM CLEARANCE CANNOT BE OBTAINED WITH THE TRANSVERSE REBAR ON TOP, THEN THE TRANSVERSE REBAR SHALL BE TIED TO THE BOTTOM OF THE LONGITUDINAL REBAR.

** VARIABLES WHERE S_1 AND S_2 ARE $2\frac{1}{2}$ " MIN. AND 12" MAX.



WITHOUT HMA OVERLAY



WITH HMA OVERLAY

**PATCHING DETAIL FOR CLASS A PATCHING
(CRC PAVEMENT)**

MODEL: Patching Class A Special (Sheet)
FILE NAME: c:\p\work\pav\detail\pav\pav\00220190\057058-sh-Detail-Patching Class A Special.dgn

USER NAME = Tyler.Pierson	DESIGNED -	REVISED -
	DRAWN -	REVISED -
PLOT SCALE = 0.1666667 / in.	CHECKED -	REVISED -
PLOT DATE = 11/2/2023	DATE -	REVISED -

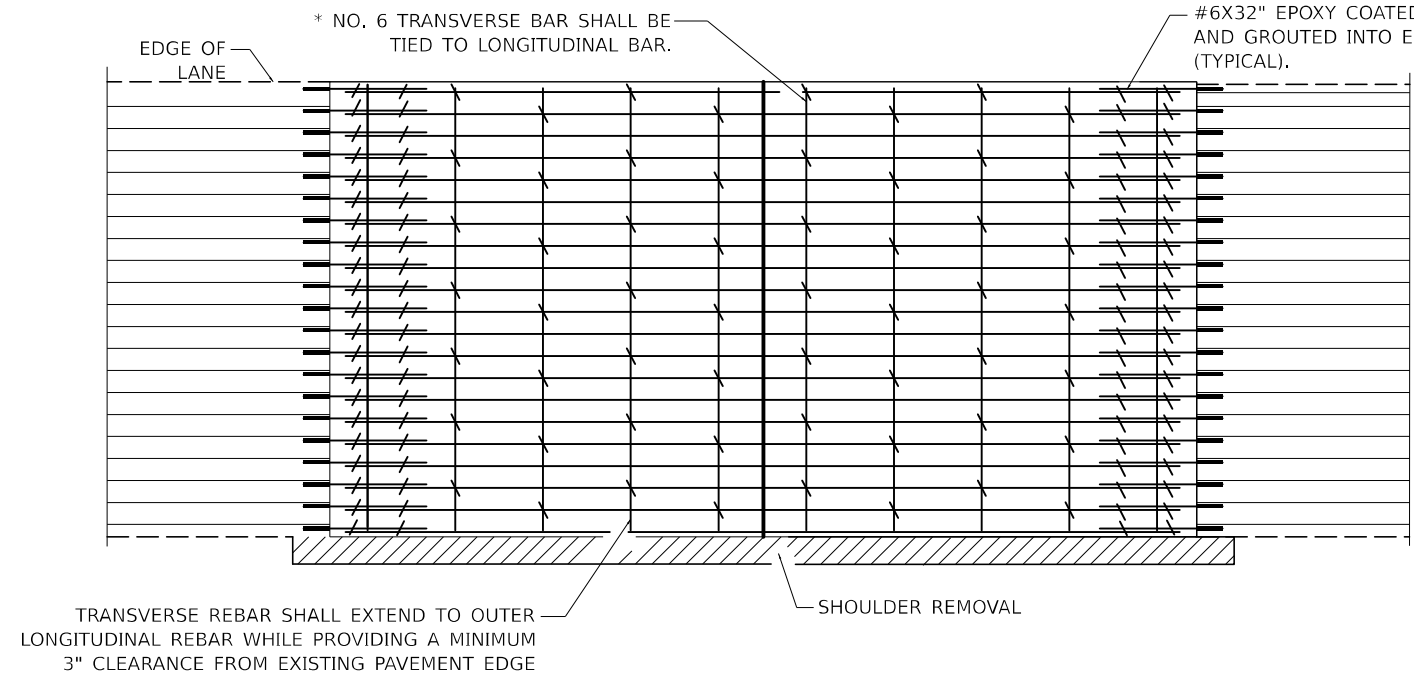
**STATE OF ILLINOIS
DEPARTMENT OF TRANSPORTATION**

PATCHING CLASS A SPECIAL DETAIL

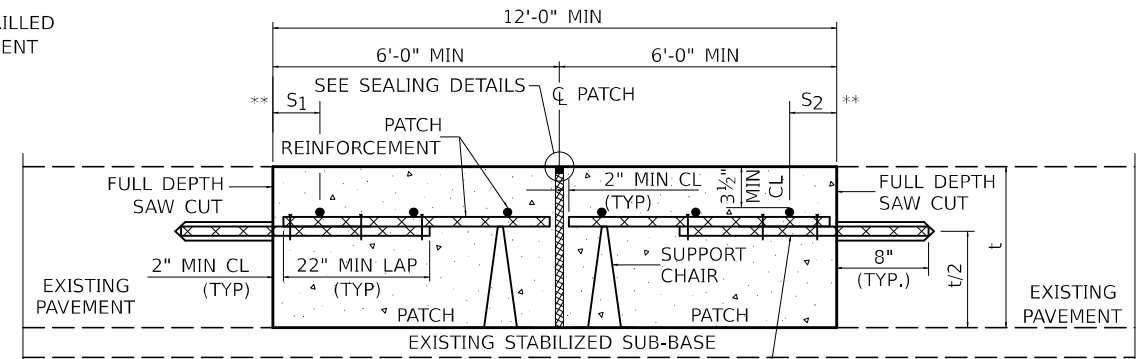
SCALE: SHEET 1 OF 2 SHEETS STA. TO STA.

F.A.I. RTE.	SECTION	COUNTY	TOTAL SHEETS	SHEET NO.
57	D5 CM PATCHING 2024-3		14	13
CONTRACT NO. 70G88				
ILLINOIS FED. AID PROJECT				

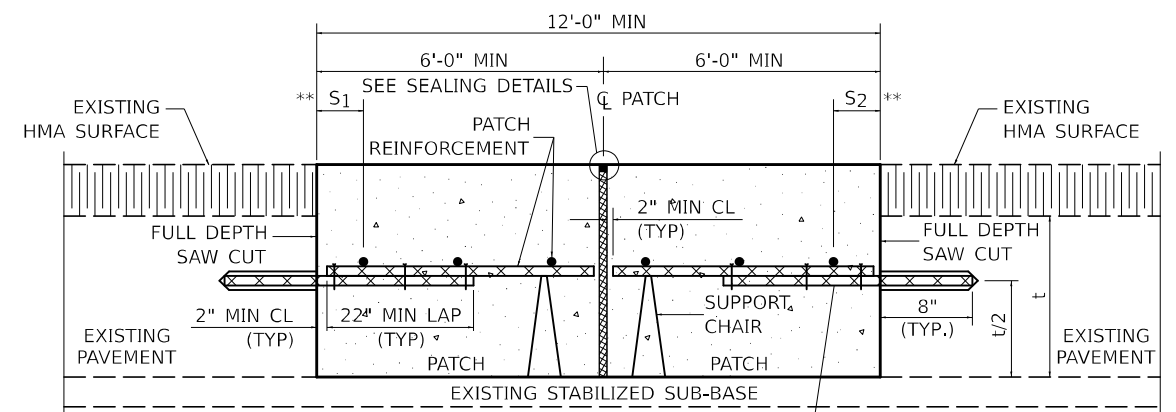
*DOUGLAS & CHAMPAIGN



PAVEMENT REINFORCEMENT DETAIL

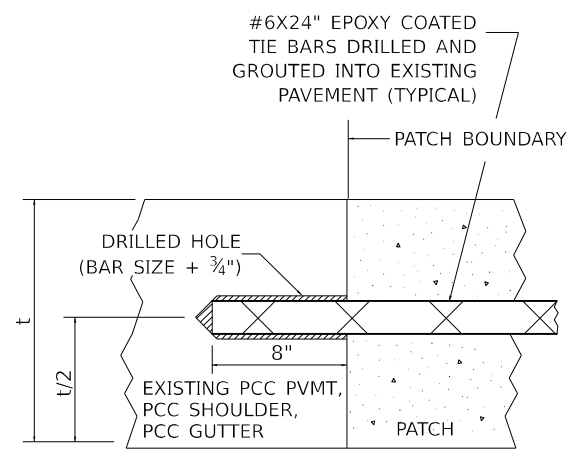


WITHOUT HMA OVERLAY



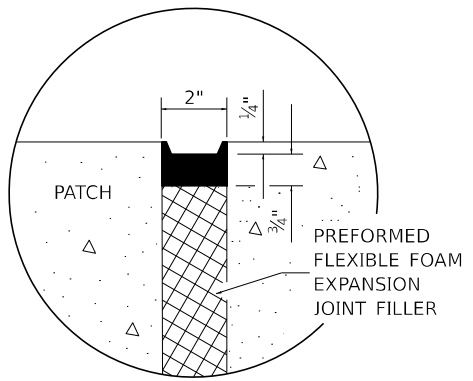
WITH HMA OVERLAY

CLASS A PATCH WITH EXPANSION JOINT

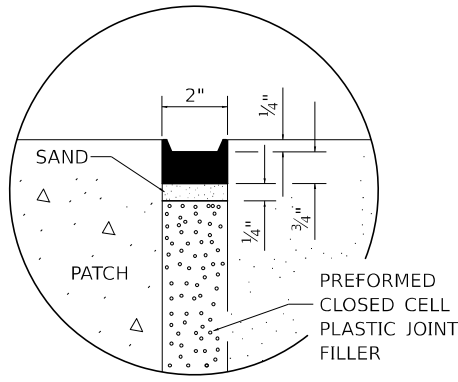


LONGITUDINAL CONSTRUCTION JOINT

PATCHES MORE THAN 20' IN LENGTH SHALL BE TIED TO ADJACENT PAVEMENT, PCC SHOULDERS OR PCC CURB AND GUTTER WITH #6x24" EPOXY COATED TIE BARS AT 36" CENTERS.



SEALING DETAIL



SEALING DETAIL

- NOTES:**
- EXISTING LONGITUDINAL REINFORCEMENT SPACING; $\pm 6\frac{1}{2}$ ".
 - SPACING OF NEW LONGITUDINAL REINFORCEMENT AND NEW LONGITUDINAL TIE BARS SHALL MATCH SPACING OF EXISTING REINFORCEMENT AND SHALL BE TIED TOGETHER WITH A MINIMUM OF TWO TIES PER BAR.
 - SUPPORT CHAIRS SHALL BE REQUIRED WHENEVER PATCH LENGTH EXCEEDS 6'-0"
 - * EVERY THIRD INTERSECTION MUST BE TIED. WHEN THE MINIMUM CLEARANCE CANNOT BE OBTAINED WITH THE TRANSVERSE REBAR ON TOP, THEN THE TRANSVERSE REBAR SHALL BE TIED TO THE BOTTOM OF THE LONGITUDINAL REBAR.
 - ** VARIABLES WHERE S_1 AND S_2 ARE $2\frac{1}{2}$ " MIN. AND 12" MAX.

MODEL: Patching Class A Special2 (Sheet) FILE NAME: c:\p\work\pav\detail\patching Class A Special.dgn

USER NAME = Tyler.Plerson	DESIGNED -	REVISED -
	DRAWN -	REVISED -
PLOT SCALE = 0.1666667 / in.	CHECKED -	REVISED -
PLOT DATE = 11/2/2023	DATE -	REVISED -

**STATE OF ILLINOIS
DEPARTMENT OF TRANSPORTATION**

PATCHING CLASS A SPECIAL DETAIL			
SCALE:	SHEET 2 OF 2 SHEETS	STA.	TO STA.

F.A.I. RTE.	SECTION	COUNTY	TOTAL SHEETS	SHEET NO.
57	D5 CM PATCHING 2024-3	-	14	14
CONTRACT NO. 70G88				
ILLINOIS FED. AID PROJECT				