

STATE OF ILLINOIS
DEPARTMENT OF TRANSPORTATION

F.A. RTE.	SECTION	COUNTY	TOTAL SHEETS	SHEET NO.
**	26Q	MADISON	9	1
**FAI 055 - FR 18.36		ILLINOIS	CONTRACT NO. 76T24	

FOR INDEX OF SHEETS, SEE SHEET NO. 2

FAI ROUTE 055 - FR 18.36 ADT
PARK STREET TO MACOUPIN COUNTY LINE

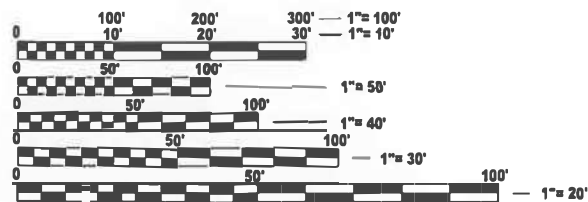
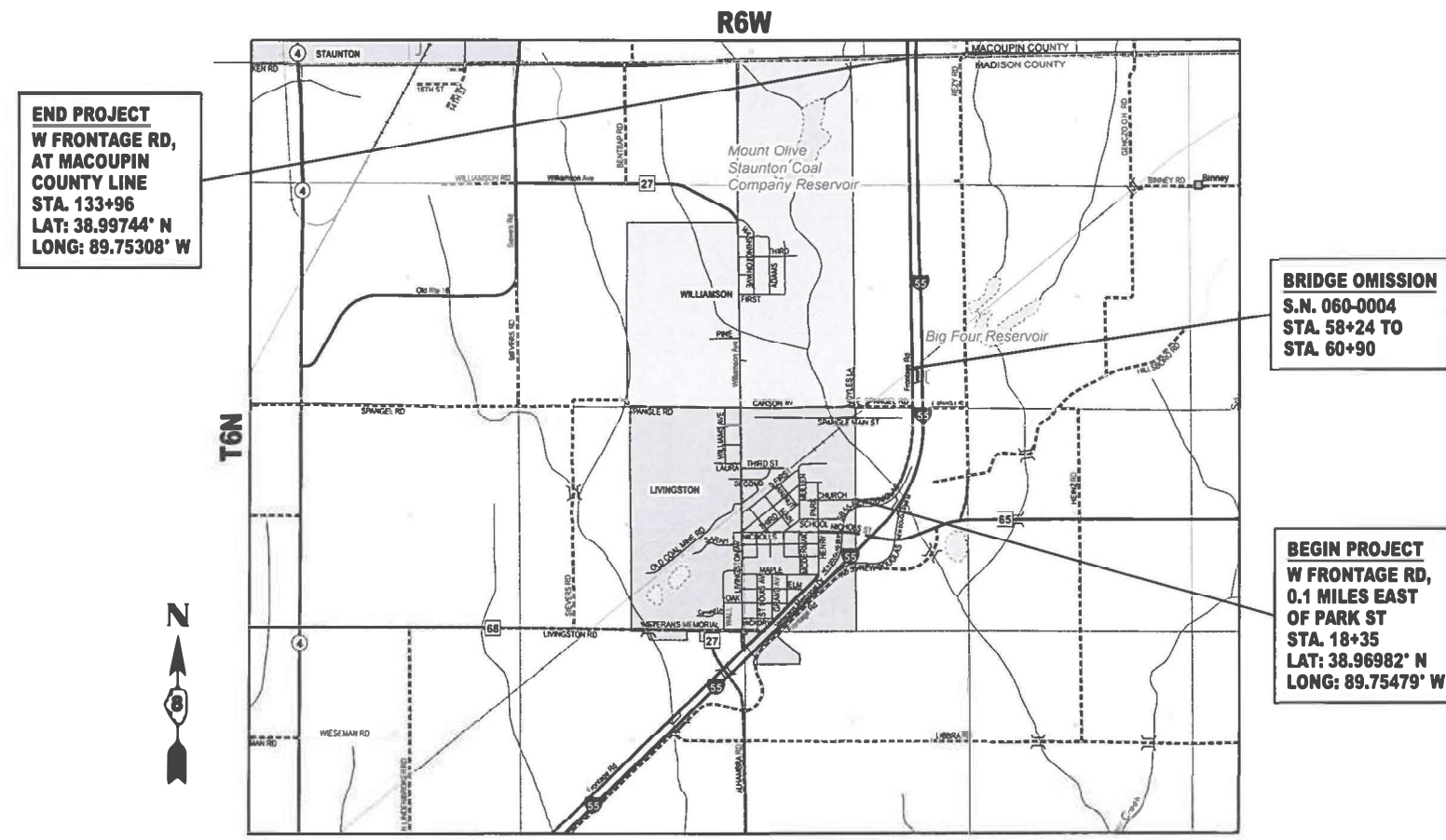
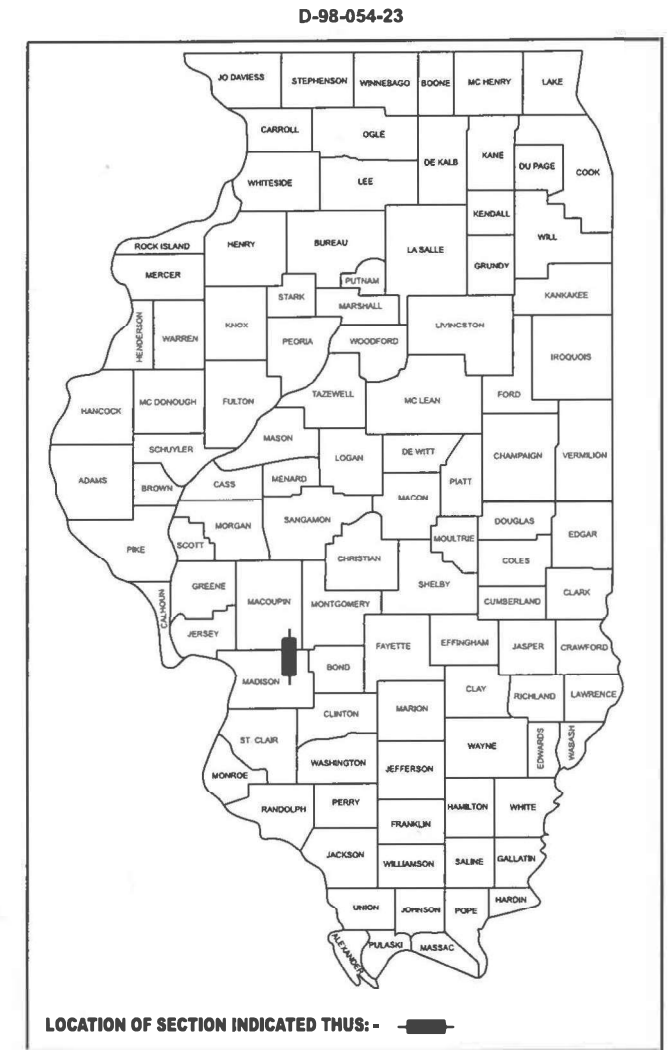
2024 = 225 (ESTIMATED)
SU = 4.4% MU = 10.2%

FUNCTIONAL CLASSIFICATION:
LOCAL ROAD/STREET

PROPOSED
HIGHWAY PLANS

FAI ROUTE 55 (W FRONTAGE ROAD)
SECTION 26Q
PROJECT STP-EVZK(809)
SMART OVERLAY
MADISON COUNTY

C-98-098-23



FULL SIZE PLANS HAVE BEEN PREPARED USING STANDARD ENGINEERING SCALES. REDUCED SIZED PLANS WILL NOT CONFORM TO STANDARD SCALES. IN MAKING MEASUREMENTS ON REDUCED PLANS, THE ABOVE SCALES MAY BE USED.

J.U.L.I.E.
JOINT UTILITY LOCATION INFORMATION FOR EXCAVATION
1-800-892-0123
OR 811

PROJECT ENGINEER: BILLIE OWEN
PROJECT MANAGER: BRANDON HUMPHREYS

GROSS LENGTH = 11,561 FT. = 2.190 MILE
NET LENGTH = 11,295 FT. = 2.139 MILE

CONTRACT NO. 76T24

STATE OF ILLINOIS
DEPARTMENT OF TRANSPORTATION

SUBMITTED *December 15 20 23*
Kevin H. Brown
REGIONAL ENGINEER

February 2, 2024
Scott A. Etk
ENGINEER OF DESIGN AND ENVIRONMENT

February 2, 2024
Stephen M. Smith
DIRECTOR OF HIGHWAYS PROJECT IMPLEMENTATION

PRINTED BY THE AUTHORITY
OF THE STATE OF ILLINOIS

INDEX OF SHEETS

1. COVER SHEET
2. INDEX OF SHEETS, HIGHWAY STANDARDS, GENERAL NOTES, & COMMITMENTS
3. SUMMARY OF QUANTITIES
- 4-5. TYPICAL SECTIONS
- 6-8. SCHEDULES OF QUANTITIES
9. LOCATION MAP SHEET

HIGHWAY STANDARDS

000001-08	STANDARD SYMBOLS, ABBREVIATIONS, AND PATTERNS
001006	DECIMAL OF AN INCH AND OF A FOOT
442201-03	CLASS C AND D PATCHES
630001-13	STEEL PLATE BEAM GUARDRAIL
630301-09	SHOULDER WIDENING FOR TYPE 1 (SPECIAL) GUARDRAIL TERMINALS
631031-18	TRAFFIC BARRIER TERMINAL, TYPE 6
631033-09	TRAFFIC BARRIER TERMINAL, TYPE 6B
701006-05	OFF-RD OPERATIONS, 2L, 2W, 15' TO 24" FROM PAVEMENT EDGE
701011-04	OFF-RD MOVING OPERATIONS, 2L, 2W, DAY ONLY
701201-05	LANE CLOSURE, 2L, 2W, DAY ONLY, FOR SPEEDS ≥ 45 MPH
701301-04	LANE CLOSURE, 2L, 2W, SHORT TIME OPERATIONS
701306-04	LANE CLOSURE, 2L, 2W, SLOW MOVING OPERATIONS DAY ONLY, FOR SPEEDS ≥ 45 MPH
701311-03	LANE CLOSURE 2L, 2W MOVING OPERATIONS-DAY ONLY
701336-07	LANE CLOSURE, 2L, 2W, WORK AREAS IN SERIES, FOR SPEEDS ≥ 45 MPH
701901-09	TRAFFIC CONTROL DEVICES
725001-01	OBJECT AND TERMINAL MARKERS
780001-05	TYPICAL PAVEMENT MARKINGS
781001-04	TYPICAL APPLICATIONS RAISED REFLECTIVE PAVEMENT MARKERS
782006-01	GUARDRAIL AND BARRIER WALL REFLECTOR MOUNTING DETAILS

GENERAL NOTES

1. THE UTILITIES KNOWN TO HAVE FACILITIES WITHIN THE PROJECT AREA ARE AS FOLLOWS:
 - AMEREN ILLINOIS
 - CONSOLIDATED COMMUNICATIONS
 - ILLINOIS AMERICAN WATER COMPANY
 - MADISON TELEPHONE COMPANY
 - THREE COUNTY PUBLIC WATER DISTRICT
 - WINDSTREAM KDL, INC.
2. NO SURVEY WAS PERFORMED FOR THIS PROJECT AND THE PLANS WERE CREATED USING MICROFILM AND FIELD MEASUREMENTS.
3. THE DEPARTMENT STRONGLY ENCOURAGES THE PRIME CONTRACTOR AND THEIR APPROVED SUB-CONTRACTORS TO HIRE MINORITY, WOMEN AND DISADVANTAGED INDIVIDUALS FROM ITS FEDERALLY FUNDED HIGHWAY CONSTRUCTION CAREERS TRAINING PROGRAM (HCCTP) TO HELP MEET WORKFORCE AND TRAINEE GOALS. THIS PROGRAM IS TRAINING MINORITIES, WOMEN, AND DISADVANTAGED INDIVIDUALS IN HIGHWAY CONSTRUCTION-RELATED SKILLS, E.G., MATH FOR THE TRADES, JOB READINESS, TECHNICAL SKILLS COURSEWORK (CARPENTRY, CONCRETE FLATWORK, BLUEPRINT READING, SITE PLANS, SITE WORK, TOOLS USE, ETC.) AND OSHA 10 HOUR CERTIFICATION, TO PREPARE THEM FOR A CAREER IN THE HIGHWAY CONSTRUCTION TRADES. GRADUATES ARE WELL-TRAINED AND READY TO BECOME PRODUCTIVE ENTRY-LEVEL CONSTRUCTION WORKERS. CONTACT THE DISTRICT 8 EEO OFFICE AT 618-346-3360 AND/OR THE HCCTP COORDINATOR AT 618-874-6528 TO LEARN MORE ABOUT THE PROGRAM AND FOR ASSISTANCE IN MEETING WORKFORCE AND TRAINEE GOALS.
4. THE TEMPORARY RAMPS USED ON ALL SIDE STREETS AND ENTRANCES SHALL BE 1.5 FEET IN LENGTH SO AS NOT TO INTERFERE WITH THE THRU TRAFFIC LANES.
5. THE USE OF A MATERIAL TRANSFER DEVICE SHALL BE PERMITTED FOR THE PAVING OPERATIONS OF THIS PROJECT. THE MATERIAL TRANSFER DEVICE MAY OPERATE IN AN UNLOADED CONDITION WITH A MAXIMUM GROSS WEIGHT OF 40 TONS ON SN 060-0004 AND SN 060-2016.
6. THE FOLLOWING MIXTURE REQUIREMENTS ARE APPLICABLE FOR THIS PROJECT:

MIXTURE USE	SURFACE	PATCHING
AC/PG	PG 64-22	PG 64-22
DESIGN AIR VOIDS	4.0% @ Ndes=70	4.0% @ Ndes=70
MIX COMPOSITION (GRADATION)	IL 9.5	IL 19.0
FRICTION AGG	MIXTURE "C"	MIXTURE "B"
QUALITY MGMT PROGRAM	QCP	QC/QA
MATERIAL TRANSFER DEVICE REQUIRED	YES	NO

PLAN QUANTITIES FOR HOT-MIX ASPHALT ITEMS ARE CALCULATED USING A UNIT WEIGHT OF 112 LBS/SQ YD/IN.

COMMITMENTS

NONE

MODEL: General Notes Sheet [Sheet]
FILE NAME: c:\pwworking\dwidob\humpbreyshd\0891660\0876124-sh-1-gemote.dgn

USER NAME = Brandon.Humphreys	DESIGNED -	REVISED -	STATE OF ILLINOIS DEPARTMENT OF TRANSPORTATION	INDEX OF SHEETS, HIGHWAY STANDARDS, GENERAL NOTES, & COMMITMENTS	F.A.**	SECTION	COUNTY	TOTAL SHEETS	SHEET NO.
DRAWN -	REVISED -	**			26Q	MADISON	9	2	
PLOT SCALE = 0.16666633' / in.	CHECKED -	REVISED -			CONTRACT NO. 76T24				
PLOT DATE = 12/15/2023	DATE -	REVISED -			SCALE:	SHEET 1 OF 1 SHEETS	STA.	TO STA.	**FAI 055 - FR 18.36

CODE NO.	ITEM	UNIT	TOTAL QUANTITY	CONSTR. CODE
				80% FEDERAL 20% STATE ROADWAY 0005 URBAN
40600290	BITUMINOUS MATERIALS (TACK COAT)	POUND	12635	12635
40600370	LONGITUDINAL JOINT SEALANT	FOOT	11295	11295
40600990	TEMPORARY RAMP	SQ YD	72	72
40604052	HOT-MIX ASPHALT SURFACE COURSE, IL-9.5, MIX "C", N70	TON	2371	2371
44000155	HOT-MIX ASPHALT SURFACE REMOVAL, 1 1/2"	SQ YD	28076	28076
44201785	CLASS D PATCHES, TYPE I, 12 INCH	SQ YD	48	48
44201789	CLASS D PATCHES, TYPE II, 12 INCH	SQ YD	258	258
44201794	CLASS D PATCHES, TYPE III, 12 INCH	SQ YD	157	157
44201796	CLASS D PATCHES, TYPE IV, 12 INCH	SQ YD	1809	1809
48102100	AGGREGATE WEDGE SHOULDER, TYPE B	TON	372	372
* 63000003	STEEL PLATE BEAM GUARDRAIL, TYPE A, 9 FOOT POSTS	FOOT	1063	1063
* 63100085	TRAFFIC BARRIER TERMINAL, TYPE 6	EACH	2	2
* 63100089	TRAFFIC BARRIER TERMINAL, TYPE 6B	EACH	2	2
* 63100167	TRAFFIC BARRIER TERMINAL, TYPE 1 (SPECIAL) TANGENT	EACH	6	6

* SPECIALTY ITEM

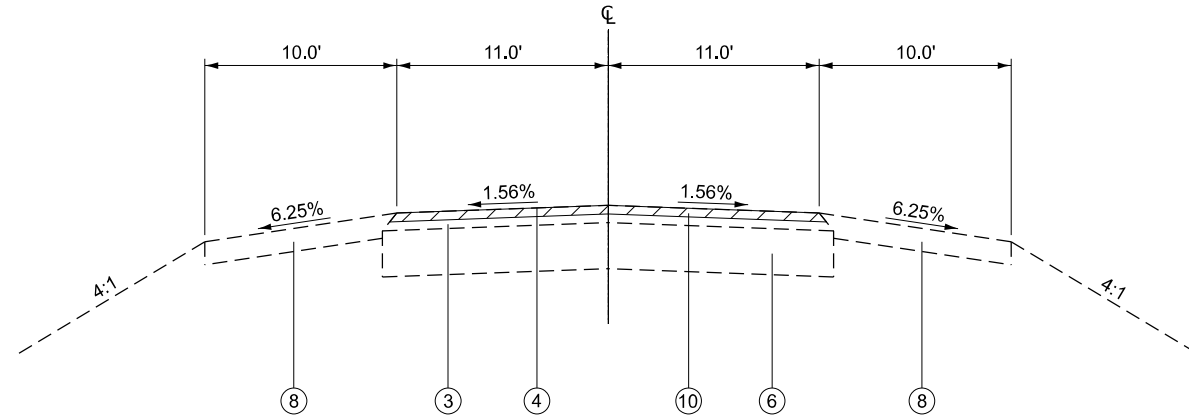
CODE NO.	ITEM	UNIT	TOTAL QUANTITY	CONSTR. CODE
				80% FEDERAL 20% STATE ROADWAY 0005 URBAN
63200310	GUARDRAIL REMOVAL	FOOT	1315	1315
67100100	MOBILIZATION	L SUM	1	1
70100450	TRAFFIC CONTROL AND PROTECTION, STANDARD 701201	L SUM	1	1
70100460	TRAFFIC CONTROL AND PROTECTION, STANDARD 701306	L SUM	1	1
70100600	TRAFFIC CONTROL AND PROTECTION, STANDARD 701336	L SUM	1	1
70300100	SHORT TERM PAVEMENT MARKING	FOOT	3144	3144
70300150	SHORT TERM PAVEMENT MARKING REMOVAL	SQ FT	352	352
70300231	TEMPORARY PAVEMENT MARKING - LINE 5"- PAINT	FOOT	30884	30884
* 72501000	TERMINAL MARKER - DIRECT APPLIED	EACH	6	6
* 78000300	THERMOPLASTIC PAVEMENT MARKING - LINE 5"	FOOT	30884	30884
* 78100100	RAISED REFLECTIVE PAVEMENT MARKER	EACH	147	147
* 78200005	GUARDRAIL REFLECTORS, TYPE A	EACH	18	18
78300202	PAVEMENT MARKING REMOVAL - WATER BLASTING	SQ FT	10298	10298
Ø Z0076600	TRAINEES	hour	500	500
Z0034105	MATERIAL TRANSFER DEVICE	TON	2371	2371
Ø Z0076604	TRAINEES TRAINING PROGRAM GRADUATE	hour	500	500

Ø 0042

MODEL - Summary of Quantities (Sheet)
FILE NAME - c:\pwr_work\kwid\shd\humpreys\shd\0891660\0876124-sh1-SOQ.dgn

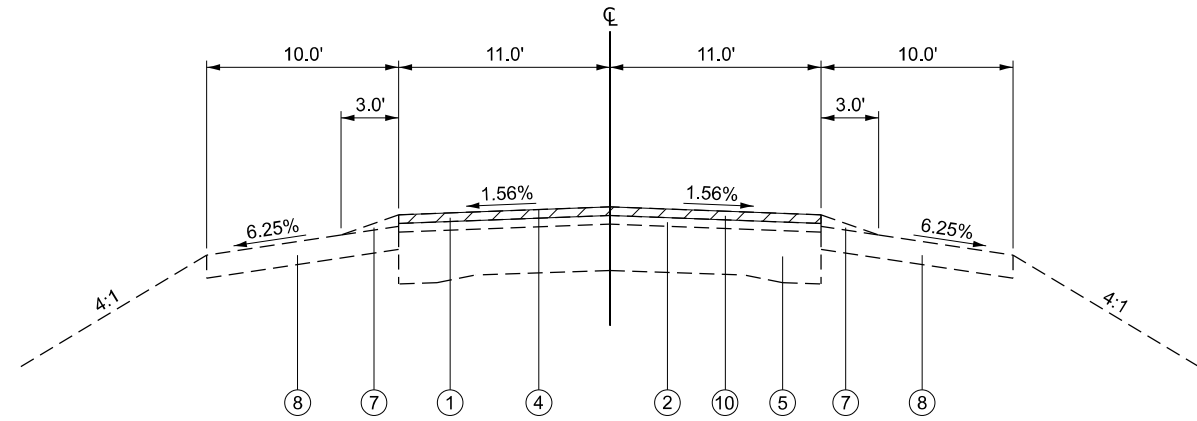
REV. - MS

USER NAME = Brandon.Humphreys	DESIGNED -	REVISED -	STATE OF ILLINOIS DEPARTMENT OF TRANSPORTATION	SUMMARY OF QUANTITIES			F.A. RTE.	SECTION	COUNTY	TOTAL SHEETS	SHEET NO.
DRAWN -	REVISIED -	**					26Q	MADISON	9	3	
PLOT SCALE = 0.16666633' / in.	CHECKED -	REVISED -		SCALE: SHEET 1 OF 1 SHEETS STA. TO STA.			CONTRACT NO. 76T24				
PLOT DATE = 12/15/2023	DATE -	REVISED -					**FAI 055 - FR 18.36 ILLINOIS FED. AID PROJECT				



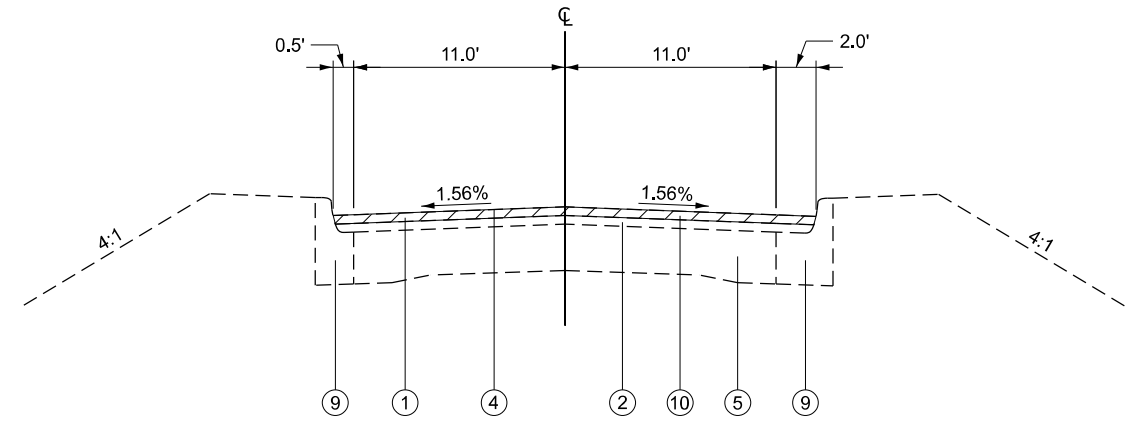
**EXISTING TYPICAL SECTION
FAI 055 - FR 18.36 (W FRONTAGE RD)**

STA. 18+35 TO STA. 30+49



**EXISTING TYPICAL SECTION
FAI 055 - FR 18.36 (W FRONTAGE RD)**

STA. 30+49 TO STA. 51+04
STA. 70+40 TO STA. 133+96



**EXISTING TYPICAL SECTION
FAI 055 - FR 18.36 (W FRONTAGE RD)**

STA. 51+04 TO STA. 58+24
BRIDGE OMISSION: STA. 58+24 TO STA. 60+90
STA. 60+90 TO STA. 70+40

LEGEND

- ① EXISTING BITUMINOUS SURFACE COURSE, 1 1/2"
- ② EXISTING BITUMINOUS LEVELING BINDER, VARIES 1/2" TO 1 1/2"
- ③ EXISTING BITUMINOUS RESURFACING, 3"
- ④ EXISTING SEAL COAT
- ⑤ EXISTING P.C.C. PAVEMENT, 9"-7"-9"
- ⑥ EXISTING AGGREGATE BASE COURSE, 8"
- ⑦ EXISTING AGGREGATE SHOULDERS, TYPE B
- ⑧ EXISTING TOPSOIL, 4"
- ⑨ EXISTING CONCRETE CURB AND GUTTER
- ⑩ PROPOSED HOT-MIX ASPHALT SURFACE REMOVAL, 1 1/2"
- ⑪ PROPOSED HOT-MIX ASPHALT SURFACE COURSE, 1 1/2"
- ⑫ PROPOSED AGGREGATE WEDGE SHOULDERS, TYPE B
- ⑬ PROPOSED LONGITUDINAL JOINT SEALANT

PROPOSED HOT-MIX ASPHALT SURFACE REMOVAL

MODEL: Typical Section 1 (Sheet)
FILE NAME: c:\pwworking\brandon.humphreys\brandon0891660\08761724-sh1-typical.dgn

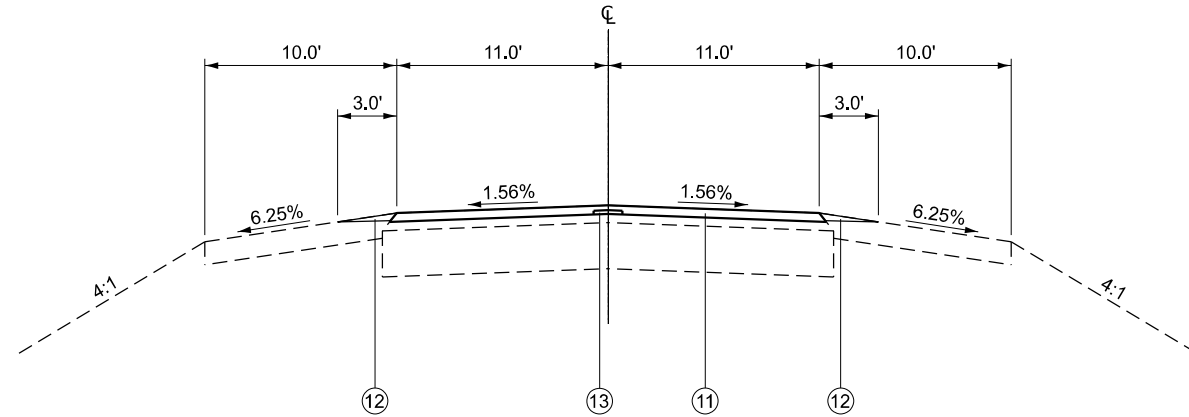
USER NAME = Brandon.Humphreys	DESIGNED -	REVISED -
	DRAWN -	REVISED -
PLOT SCALE = 0.16666633' / in.	CHECKED -	REVISED -
PLOT DATE = 12/14/2023	DATE -	REVISED -

**STATE OF ILLINOIS
DEPARTMENT OF TRANSPORTATION**

EXISTING TYPICAL SECTIONS

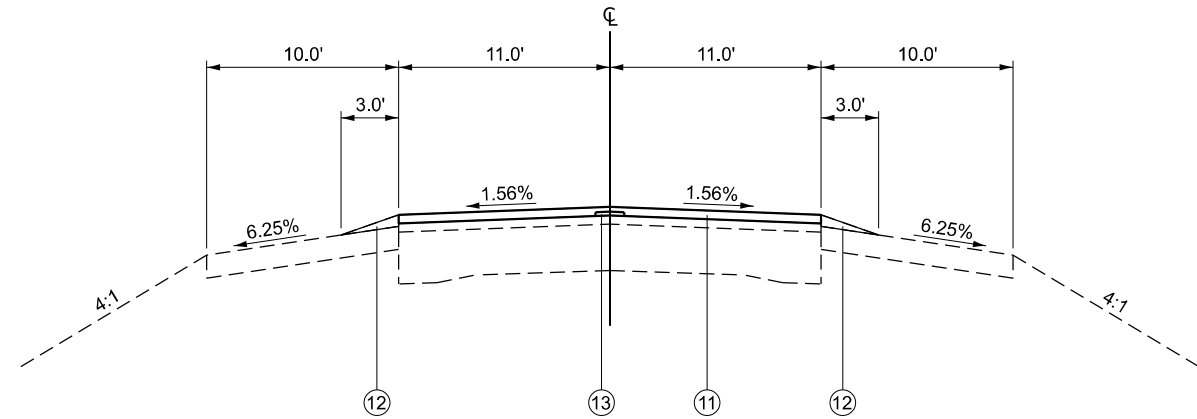
SCALE: 1" = 50" SHEET 1 OF 2 SHEETS STA. 18+35 TO STA. 133+96

F.A. RTE.	SECTION	COUNTY	TOTAL SHEETS	SHEET NO.
**	26Q	MADISON	9	4
**FAI 055 - FR 18.36 ILLINOIS FED. AID PROJECT				



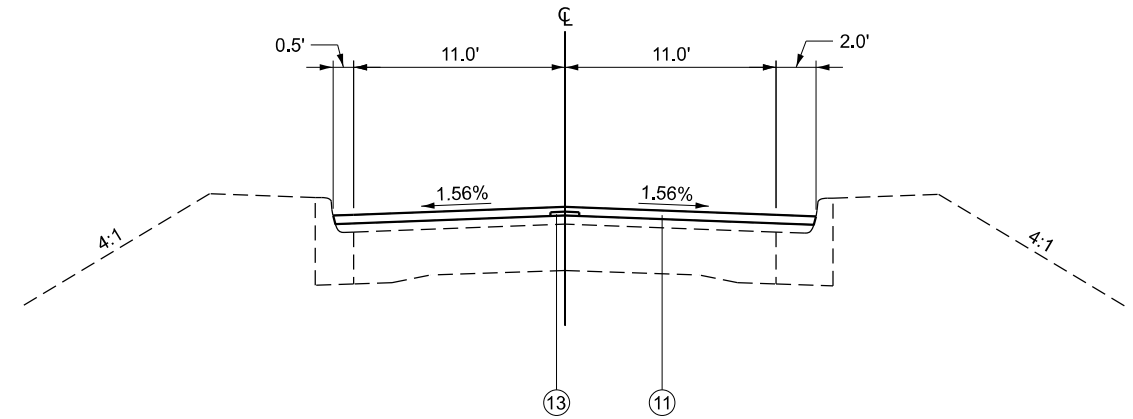
**PROPOSED TYPICAL SECTION
FAI 055 - FR 18.36 (W FRONTAGE RD)**

STA. 18+35 TO STA. 30+49



**PROPOSED TYPICAL SECTION
FAI 055 - FR 18.36 (W FRONTAGE RD)**

STA. 30+49 TO STA. 51+04
STA. 70+40 TO STA. 133+96



**PROPOSED TYPICAL SECTION
FAI 055 - FR 18.36 (W FRONTAGE RD)**

STA. 51+04 TO STA. 58+24
BRIDGE OMISSION: STA. 58+24 TO STA. 60+90
STA. 60+90 TO STA. 70+40

LEGEND

- ① EXISTING BITUMINOUS SURFACE COURSE, 1 1/2"
- ② EXISTING BITUMINOUS LEVELING BINDER, VARIES 1/2" TO 1 1/2"
- ③ EXISTING BITUMINOUS RESURFACING, 3"
- ④ EXISTING SEAL COAT
- ⑤ EXISTING P.C.C. PAVEMENT, 9"-7"-9"
- ⑥ EXISTING AGGREGATE BASE COURSE, 8"
- ⑦ EXISTING AGGREGATE SHOULDERS, TYPE B
- ⑧ EXISTING TOPSOIL, 4"
- ⑨ EXISTING CONCRETE CURB AND GUTTER
- ⑩ PROPOSED HOT-MIX ASPHALT SURFACE REMOVAL, 1 1/2"
- ⑪ PROPOSED HOT-MIX ASPHALT SURFACE COURSE, 1 1/2"
- ⑫ PROPOSED AGGREGATE WEDGE SHOULDERS, TYPE B
- ⑬ PROPOSED LONGITUDINAL JOINT SEALANT

MODEL: Typical Section 2 (Sheet)
FILE NAME: c:\p\work\wv\wv\humpreys\0891660\0876724-sh1-typical.dgn

USER NAME = Brandon.Humphreys	DESIGNED -	REVISED -
	DRAWN -	REVISED -
PLOT SCALE = 0.16666633' / in.	CHECKED -	REVISED -
PLOT DATE = 12/15/2023	DATE -	REVISED -

**STATE OF ILLINOIS
DEPARTMENT OF TRANSPORTATION**

PROPOSED TYPICAL SECTIONS

SCALE: 1" = 50' SHEET 2 OF 2 SHEETS STA. 18+35 TO STA. 133+96

F.A. RTE.	SECTION	COUNTY	TOTAL SHEETS	SHEET NO.
**	26Q	MADISON	9	5
**FAI 055 - FR 18.36 ILLINOIS FED. AID PROJECT				

RESURFACING SCHEDULE										
LOCATION			LENGTH	HMA SURFACE COURSE, 1L-9.5, MIX "C", N70, 1-1/2"	BITUMINOUS MATERIALS (TACK COAT)	LONGITUDINAL JOINT SEALANT	HMA SURFACE REMOVAL, 1-1/2"	AGGREGATE WEDGE SHOULDER, TYPE B	NOTES	
STATION	TO	STATION	FOOT	TON	POUND	FOOT	SQ YD	TON		
WEST FRONTAGE ROAD										
18+35	TO	30+49	1214	250	1336	1214	2968	48		
30+49	TO	51+04	2055	432	2261	2055	5024	76		
51+04	TO	58+24	720	165	882	720	1960			
58+24	TO	60+90	266						BRIDGE OMISSION	
60+90	TO	70+40	950	218	1164	950	2587			
70+40	TO	133+96	6356	1306	6992	6356	15537	248		
			TOTALS	2371	12635	11295	28076	372		

PAVEMENT MARKINGS SCHEDULE														
STATION	TO	STATION	LENGTH	THERMOPLASTIC PAVEMENT MARKINGS			SHORT TERM PAVEMENT MARKING	SHORT TERM PAVEMENT REMOVAL	TEMPORARY PAVEMENT MARKINGS - PAINT			RAISED REFLECTIVE PAVEMENT MARKERS	PAVEMENT MARKING REMOVAL - WATER BLASTING	NOTES
				LINE 5-INCH					LINE 5-INCH					
				SOLID	SOLID	SKIP-DASH	SOLID	SOLID	SKIP-DASH	2-WAY				
				WHITE	YELLOW	YELLOW	WHITE	YELLOW	YELLOW	AMBER				
			FOOT	FOOT	FOOT	FOOT	SQ FT	FOOT	FOOT	FOOT	EACH	SQ FT		
WEST FRONTAGE ROAD														
18+35	TO	20+30	195	390	50	60	7	390	50	3	147	BEGIN RESURFACING		
20+30	TO	30+50	1020	2040	1020	260	288	32	2040	1020	260	13	1107	
30+50	TO	36+55	605	1210	1210	168	19	1210	1210	8	807			
36+55	TO	46+40	985	1970	985	250	276	31	1970	985	250	13	1069	
46+40	TO	48+90	250	500	500	72	8	500	500	4	334			
48+90	TO	57+04	814	1283	814	210	228	26	1283	814	210	11	769	
57+04	TO	58+24	120	240	240	36	4	240	240	2	160			
58+24	TO	60+90	266											BRIDGE OMISSION
60+90	TO	62+75	185	370	370	60	7	370	370	3	247			
62+75	TO	72+15	940	1880	940	240	264	30	1880	940	240	12	1020	
72+15	TO	133+96	6181	12362	1550	1692	188	12362	1550	78	4638	END RESURFACING		
			SUBTOTALS	22245	6079	2560	3144	352	22245	6079	2560	147	10298	
			TOTALS	30884			3144	352	30884			147	10298	

GUARDRAIL SCHEDULE											
STATION	TO	STATION	LENGTH OF NEED	STEEL PLATE BEAM GUARDRAIL, TYPE A, 9 FOOT POSTS	TRAFFIC BARRIER TERMINAL, TYPE 1 (SPECIAL) TANGENT	TRAFFIC BARRIER TERMINAL, TYPE 6	TRAFFIC BARRIER TERMINAL, TYPE 6B	GUARDRAIL REMOVAL	TERMINAL MARKER - DIRECT APPLIED	GUARDRAIL REFLECTORS, TYPE A	NOTES
				FOOT	FOOT	EACH	EACH	EACH	FOOT	EACH	
WEST FRONTAGE ROAD											
27+12	TO	30+75	362.5	337.5	2			363	2	5	SOUTHBOUND WEST FRONTAGE ROAD
56+28	TO	58+41	212.5	150.0	1		1	213	1	3	SOUTHBOUND WEST FRONTAGE ROAD
56+29	TO	58+67	237.5	187.5	1	1		238	1	3	NORTHBOUND WEST FRONTAGE ROAD
60+47	TO	63+10	262.5	200.0	1		1	263	1	4	SOUTHBOUND WEST FRONTAGE ROAD
60+73	TO	63+11	237.5	187.5	1	1		238	1	3	NORTHBOUND WEST FRONTAGE ROAD
			SUBTOTALS	1062.5	6	2	2	1315	6	18	
			TOTALS	1063	6	2	2	1315	6	18	

MODEL: Schedules Sheet (Sheet)
 FILE NAME: c:\pw\work\pav\humpreys\089166\0876724-sh-schedule.dgn

USER NAME = Brandon.Humphreys	DESIGNED -	REVISED -	STATE OF ILLINOIS DEPARTMENT OF TRANSPORTATION	SCHEDULES OF QUANTITIES	F.A. RTE.	SECTION	COUNTY	TOTAL SHEETS	SHEET NO.	
	DRAWN -	REVISED -			**	26Q	MADISON	9	6	
PLOT SCALE = 0.16666633' / in.	CHECKED -	REVISED -			CONTRACT NO. 76T24					
PLOT DATE = 12/15/2023	DATE -	REVISED -			SCALE:	SHEET 1 OF 3 SHEETS	STA.	TO STA.	**FAI 055 - FR 18.36 ILLINOIS FED. AID PROJECT	

PATCHING SCHEDULE (1 OF 2)

STATION	TO	STATION	LANE	LENGTH FOOT	WIDTH FOOT	CLASS D PATCHES				NOTES
						12-INCH TYPE I	12-INCH TYPE II	12-INCH TYPE III	12-INCH TYPE IV	
						SQ YD	SQ YD	SQ YD	SQ YD	
WEST FRONTAGE ROAD										
19+54	TO	19+92	NB	30	5			16.7		EDGE LINE
23+92	TO	24+30	SB	20	4		8.9			EDGE LINE
25+64	TO	26+02	SB	15	5		8.4			
27+05	TO	27+43	SB	2820	3				940.0	EDGE LINE
33+19	TO	33+57	NB	8	11		9.8			
33+19	TO	33+57	SB	8	11		9.8			
33+42	TO	33+80	NB	10	3	3.4				
50+00	TO	50+38	NB	10	11		12.3			
50+00	TO	50+38	SB	10	11		12.3			
50+35	TO	50+73	NB	433	3				144.4	EDGE LINE
52+22	TO	52+60	NB	4	11	4.9				
52+22	TO	52+60	SB	4	11	4.9				
52+65	TO	53+03	NB	20	11			24.5		
52+65	TO	53+03	SB	20	11			24.5		
54+01	TO	54+39	NB	10	3	3.4				CENTERLINE
54+01	TO	54+39	SB	10	3	3.4				CENTERLINE
54+57	TO	54+95	NB	10	11		12.3			
54+57	TO	54+95	SB	10	11		12.3			
57+03	TO	57+41	NB	60	3			20.0		EDGE LINE
58+48	TO	58+86	NB	8	11		9.8			
58+48	TO	58+86	SB	8	11		9.8			
62+40	TO	62+78	SB	20	11			24.5		
63+55	TO	63+93	NB	212	5				117.8	EDGE LINE
63+77	TO	64+15	NB	20	11			24.5		
64+44	TO	64+82	NB	30	11				36.7	
64+44	TO	64+82	SB	30	11				36.7	
65+90	TO	66+28	NB	90	11				110.0	
65+90	TO	66+28	SB	90	11				110.0	
66+90	TO	67+28	NB	516	5				286.7	EDGE LINE
69+40	TO	69+78	NB	4	11	4.9				
69+40	TO	69+78	SB	4	11	4.9				
71+02	TO	71+40	SB	80	3				26.7	EDGE LINE
74+65	TO	75+03	NB	15	3		5.0			EDGE LINE
78+67	TO	79+05	NB	10	3	3.4				EDGE LINE
79+15	TO	79+53	NB	4	11	4.9				
79+20	TO	79+58	NB	40	5			22.3		EDGE LINE
82+25	TO	82+63	NB	20	5		11.2			EDGE LINE
94+82	TO	95+20	NB	8	11		9.8			
94+82	TO	95+20	SB	8	11		9.8			
101+15	TO	101+53	NB	6	11		7.4			
101+15	TO	101+53	SB	6	11		7.4			
105+06	TO	105+44	NB	6	11		7.4			
105+06	TO	105+44	SB	6	11		7.4			
107+95	TO	108+33	NB	6	11		7.4			
107+95	TO	108+33	SB	6	11		7.4			
SUBTOTALS						38.1	185.9	157.0	1809.0	

MODEL: Schedules Sheet 2 (Sheet)
FILE NAME: c:\p\work\p1689166\01876724-sh-schedule.dgn

USER NAME = Brandon.Humphreys	DESIGNED -	REVISED -
	DRAWN -	REVISED -
PLOT SCALE = 0.16666633' / in.	CHECKED -	REVISED -
PLOT DATE = 12/15/2023	DATE -	REVISED -

**STATE OF ILLINOIS
DEPARTMENT OF TRANSPORTATION**

SCHEDULES OF QUANTITIES

SCALE: SHEET 2 OF 3 SHEETS STA. TO STA.

F.A. RTE.	SECTION	COUNTY	TOTAL SHEETS	SHEET NO.
**	26Q	MADISON	9	7
CONTRACT NO. 76T24				
**FAI 055 - FR 18.36 ILLINOIS FED. AID PROJECT				

PATCHING SCHEDULE, CONTINUED (2 OF 2)										
STATION	TO	STATION	LANE	LENGTH	WIDTH	CLASS D PATCHES				NOTES
						12- INCH	12- INCH	12- INCH	12- INCH	
						TYPE I	TYPE II	TYPE III	TYPE IV	
				FOOT	FOOT	SQ YD	SQ YD	SQ YD	SQ YD	
WEST FRONTAGE ROAD										
115+90	TO	116+28	NB	6	11		7.4			
115+90	TO	116+28	SB	6	11		7.4			
118+99	TO	119+37	NB	40	3		13.4			EDGE LINE
122+14	TO	122+52	NB	6	11		7.4			
122+14	TO	122+52	SB	6	11		7.4			
125+69	TO	126+07	NB	40	3		13.4			EDGE LINE
128+29	TO	128+67	NB	4	11	4.9				
128+29	TO	128+67	SB	4	11	4.9				
133+07	TO	133+45	NB	6	11		7.4			
133+07	TO	133+45	SB	6	11		7.4			
SUBTOTALS (2 OF 2)						9.8	71.2	0.0	0.0	
SUBTOTALS (1 OF 2)						38.1	185.9	157.0	1809.0	
TOTALS						48	258	157	1809	

TEMPORARY RAMP SCHEDULE				
STATION	LENGTH	WIDTH	TEMPORARY RAMP	NOTES
	FOOT	FOOT	SQ YD	
WEST FRONTAGE ROAD				
18+35	5.0	22.0	13	BEGIN RESURFACING
50+40	1.5	115.0	20	SPANGLE ROAD
58+24	5.0	22.0	13	BEGIN BRIDGE OMISSION
60+90	5.0	22.0	13	END BRIDGE OMISSION
133+96	5.0	22.0	13	END RESURFACING
TOTALS			72	

MODEL: Schedules Sheet 3 (Sheet)
 FILE NAME: c:\pw_work\pwl\ch\humpreys\bd089166\010876724-shr-schedule.dgn

USER NAME = Brandon.Humphreys	DESIGNED -	REVISED -
	DRAWN -	REVISED -
PLOT SCALE = 0.16666633' / in.	CHECKED -	REVISED -
PLOT DATE = 12/15/2023	DATE -	REVISED -

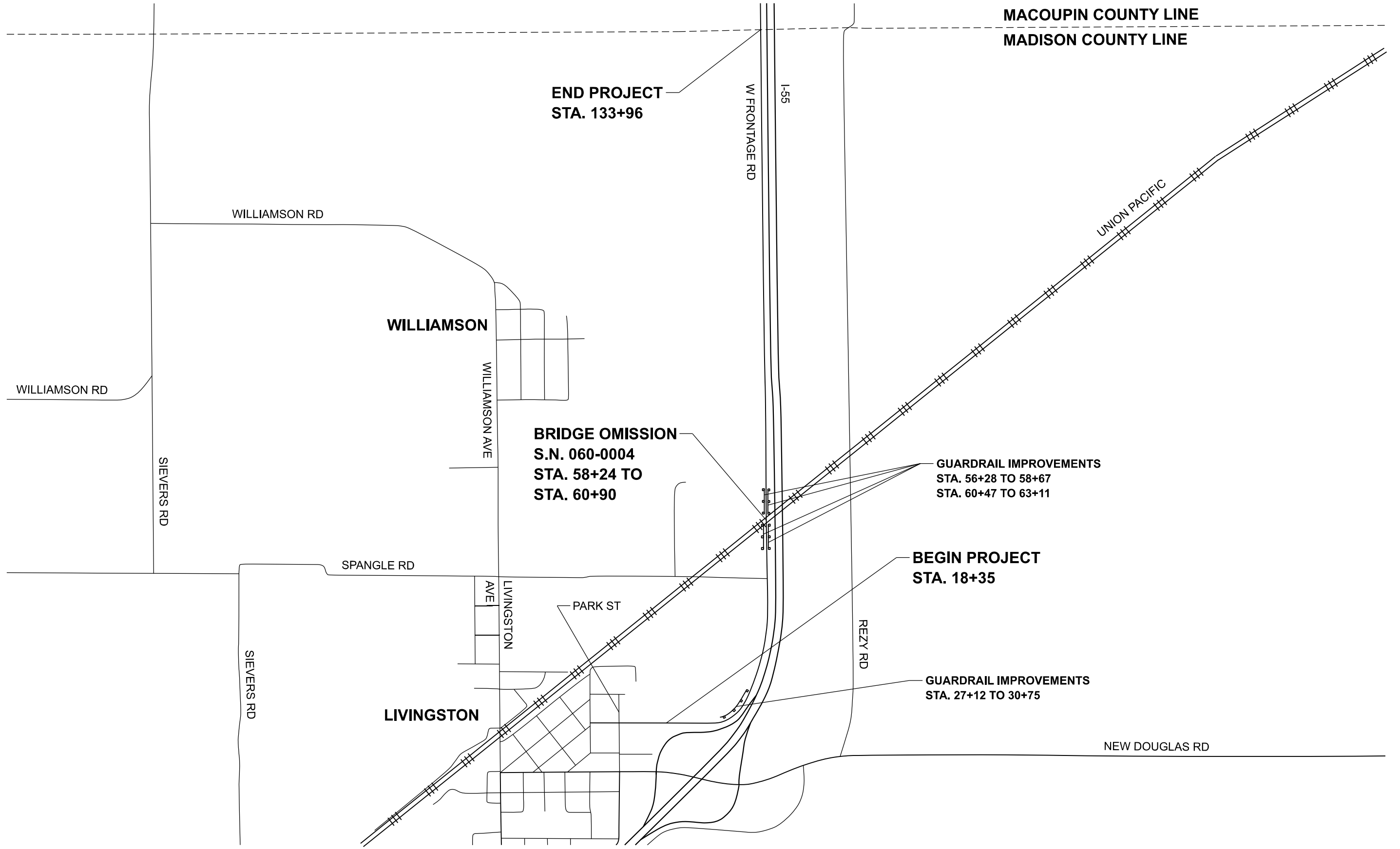
**STATE OF ILLINOIS
DEPARTMENT OF TRANSPORTATION**

SCHEDULES OF QUANTITIES

SCALE: SHEET 3 OF 3 SHEETS STA. TO STA.

F.A. ** RTE.	SECTION	COUNTY	TOTAL SHEETS	SHEET NO.
**	26Q	MADISON	9	8
CONTRACT NO. 76T24				
**FAI 055 - FR 18.36 ILLINOIS FED. AID PROJECT				

MODEL: Location Map Sheet (Sheet)
 FILE NAME: c:\pwworking\brandon.humphreys\brandon.humphreys\brandon.humphreys\166010376124-sh1-details.dgn



USER NAME = Brandon.Humphreys	DESIGNED -	REVISED -
	DRAWN -	REVISED -
PLOT SCALE = 0.16666633' / in.	CHECKED -	REVISED -
PLOT DATE = 12/15/2023	DATE -	REVISED -

**STATE OF ILLINOIS
 DEPARTMENT OF TRANSPORTATION**

LOCATION MAP SHEET

SCALE: SHEET 1 OF 1 SHEETS STA. TO STA.

F.A. RTE.	SECTION	COUNTY	TOTAL SHEETS	SHEET NO.
**	26Q	MADISON	9	9
CONTRACT NO. 76T24				
**FAI 055 - FR 18.36 ILLINOIS FED. AID PROJECT				