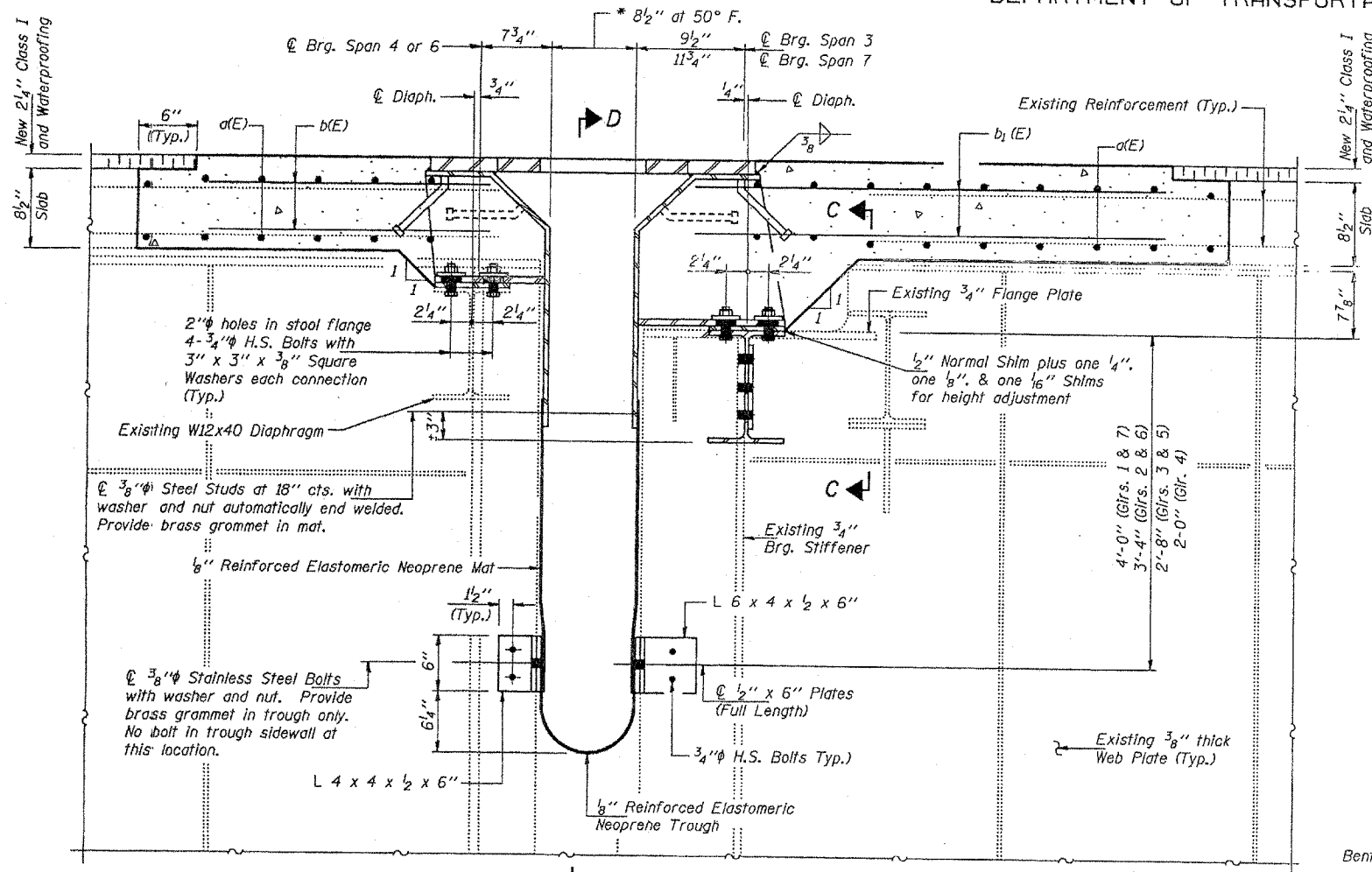


STATE OF ILLINOIS  
DEPARTMENT OF TRANSPORTATION

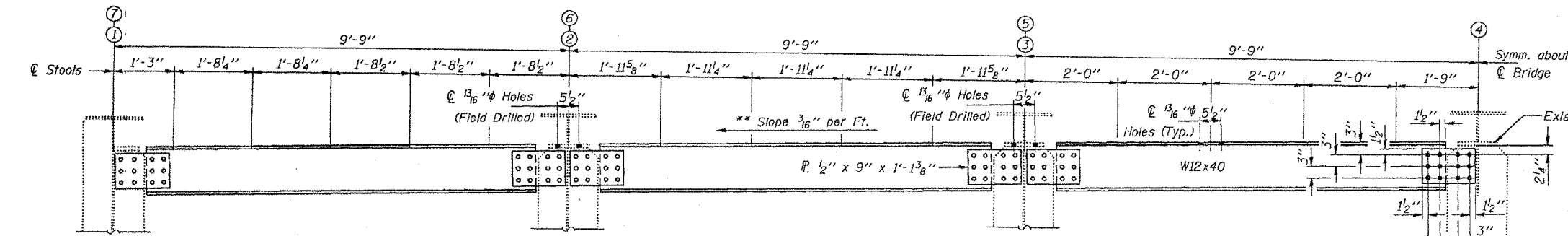
CONTRACT NO. 64945

F.A.I. RT. NO.	SECTION	COUNTY	TOTAL SHEET NO.	SHEET NO.
180	06-3, 78-1(BM)		15	15
STA. 69+29.50		TO STA. 69+29.50		
FED. ROAD DIST. NO. ILLINOIS FED. AID PROJECT				
** Bureau & Putnam Counties				



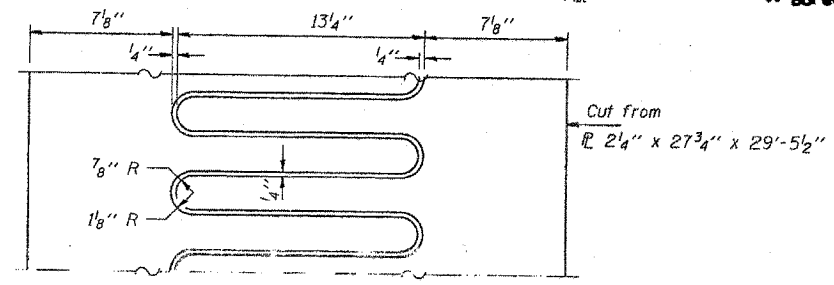
SECTION B-B

\* Add 1/8" per each 100' of expansion for every 15° below the normal temperature of 50° F.  
Subtract 1/8" per each 100' of expansion for every 15° above the normal temperature of 50° F.  
(Total Expansion = 827'-6" Pier 3)  
(Total Expansion = 742'-6" Pier 6)



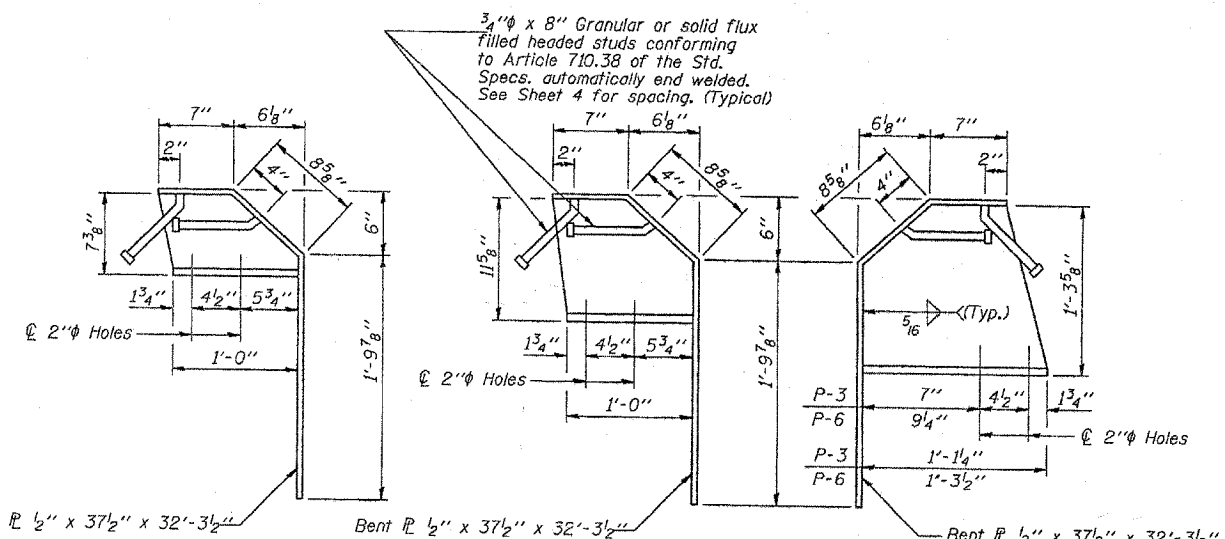
SECTION C-C  
NEW DIAPHRAGMS AT PIER 3 SPAN 3 AND PIER 6 SPAN 7

(LOOKING WEST SPAN 3 LOOKING EAST SPAN 7)  
\*\* Match top and slope of new W12x40 diaphragms with the existing 3/4" flange plates.



FINGER PLATE DETAIL

(4 Thus Required)



STOOL A

STOOL B

STOOL C

Notes: All stools cut from W30x99 or equivalent plates. For Stool locations see Sheet 4. For Section D-D see Sheet 7. All necessary stainless steel bolts, studs, washers, nuts, plates and angles for the neoprene trough shall be included with "Furnishing and Erecting Structural Steel". 5/16" holes for 3/4" H.S. Bolts with 2 hardened washers shall be used for all new diaphragm connections.

DESIGNED	CHM	EXAMINED	November 30 1992 Paul E. Adams ENGINEER OF STRUCTURAL SERVICES
CHECKED	Paul Sumner	PASSED	
DRAWN	Paul Sumner	APPROVED	ENGINEER OF BRIDGES AND STRUCTURES
CHECKED	CHM		DIRECTOR OF HIGHWAYS

FOR INFORMATION ONLY

FINGER PLATE DETAILS  
AT PIERS 3 & 6  
F.A.I. RT. 180 SEC. (06-3, 78-1)BM  
BUREAU AND PUTNAM COUNTIES  
STA. 69+29.50  
STR. No. 078-0001