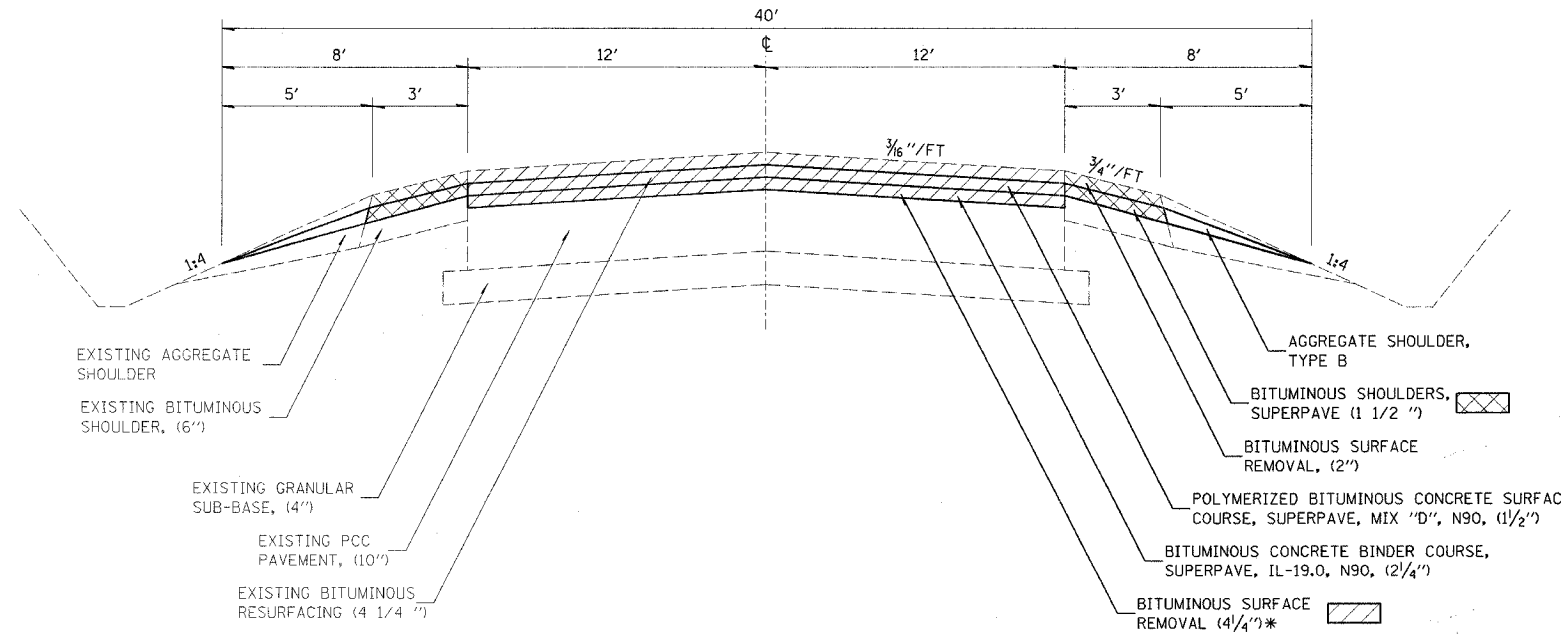


steffennk
12/3/2004
c:\projects\74047\d02804pa.dgn

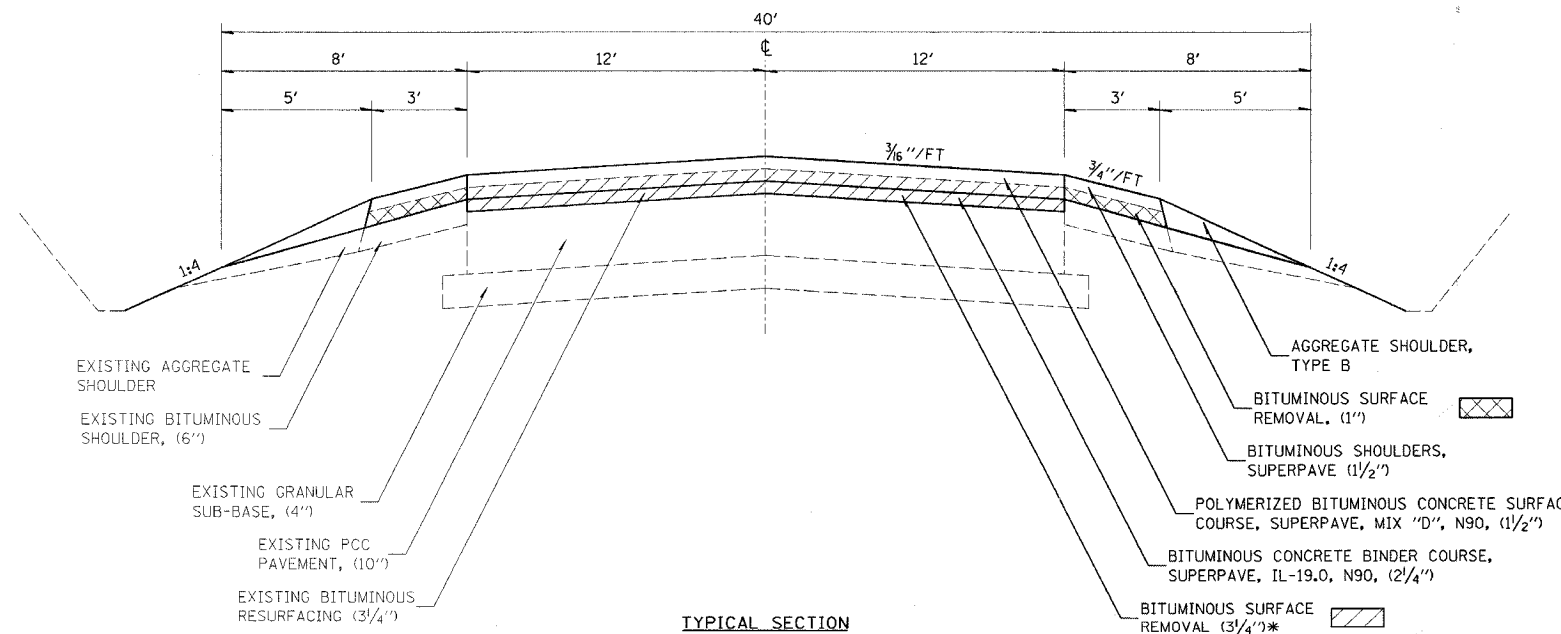
TYP

FAP NO.	SECTION	COUNTY	TOTAL SHEETS	SHEET NO.
327	(4-2)RS-3	LAWRENCE	12	4
FED. ROAD DIST. NO. 7		ILLINOIS		FED. AID PROJECT NO.

CONTRACT NO. 74047



TYPICAL SECTION
STA 556+70 TO STA 581+00



TYPICAL SECTION
STA 581+00 TO STA 657+93.20
STA EQN 657+93.20BK-STA 37+75.90AH
STA 37+75.90 TO STA 42+30

* TO BE MILLED IN 2 STAGES.

REVISIONS	
NAME	DATE

ILLINOIS DEPARTMENT OF TRANSPORTATION

TYPICAL SECTIONS

SCALE: VERT.
HORIZ.
DATE

DRAWN BY
CHECKED BY