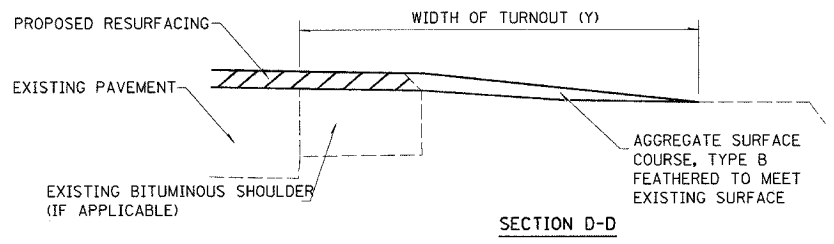
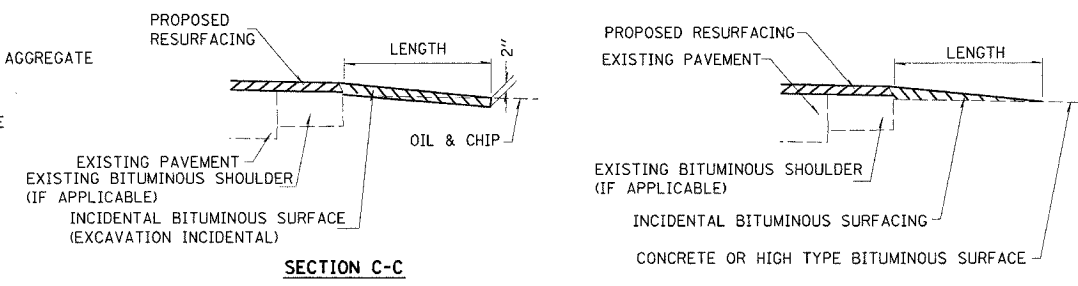
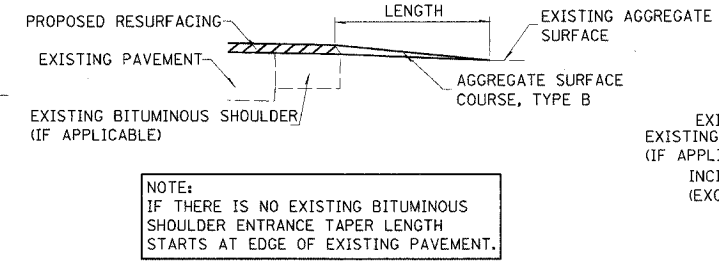
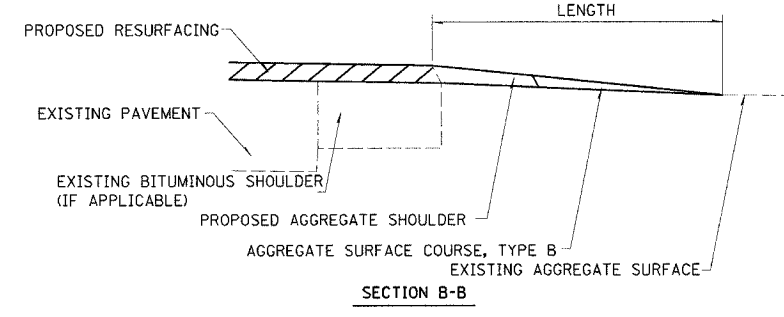
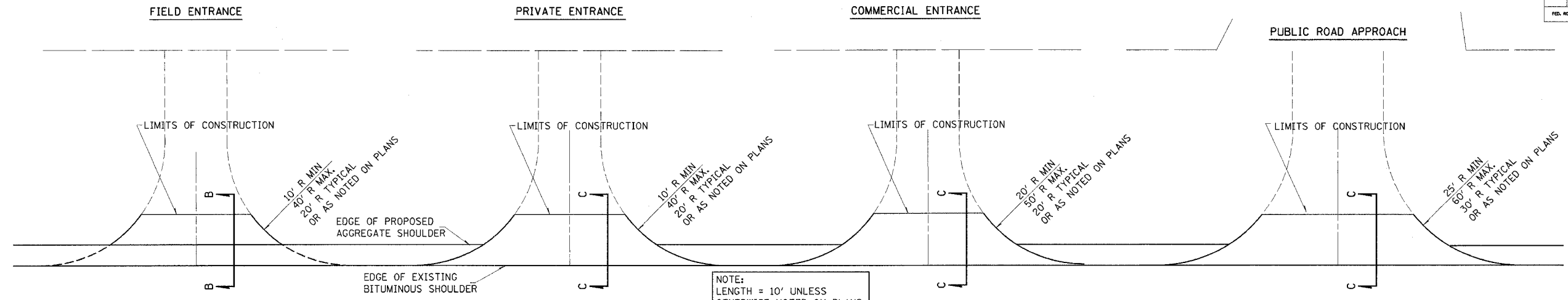


c:\projects\8174047\d02804pa.dgn
 stf:femk"t",_DATE_

REBS

FAP NO.	SECTION	COUNTY	TOTAL SHEETS	SHEET NO.
327	(4-2)RS-3	LAWRENCE	12	7
FED. ROAD DIST. NO. 7		ILLINOIS FED. AID PROJECT NO.		
CONTRACT NO. 74047				



TYPICAL SECTION AT MAILBOX TURNOUT
 NOTE: SEE STANDARD 406201 FOR MAILBOX TURNOUT DETAILS

SIDE	STATION	TYPE	INCIDENTAL BITUMINOUS SURFACING*	
			TON	TON
LT	586+77	PE		1.6
LT	603+77	PRA	5	
RT	603+77	PRA	4.9	
LT	612+99	PE		1.5
LT	624+29	FE		0.9
LT	639+50	PRA	5.1	
RT	639+50	PRA	4.7	
TOTALS			20	4

SIDE	STATION	TYPE	INCIDENTAL BITUMINOUS SURFACING*	
			TON	TON

SIDE	STATION	TYPE	INCIDENTAL BITUMINOUS SURFACING*	
			TON	TON

SIDE	STATION	TYPE	INCIDENTAL BITUMINOUS SURFACING*	
			TON	TON

SIDE	STATION	TYPE	INCIDENTAL BITUMINOUS SURFACING*	
			TON	TON

SIDE	STATION	TYPE	INCIDENTAL BITUMINOUS SURFACING*	
			TON	TON

FE - FIELD ENTRANCE PRA - PUBLIC ROAD APPROACH
 PE - PRIVATE ENTRANCE MBT - MAILBOX TURNOUT
 CE - COMMERCIAL ENTRANCE

*BITUMINOUS MATERIALS AND AGGREGATE (PRIME COAT) FOR ENTRANCES AND PUBLIC ROAD APPROACHES SHALL BE CONSIDERED INCIDENTAL TO INCIDENTAL BITUMINOUS SURFACING AS NOTED IN THE SPECIAL PROVISIONS

ISSUED: 08-03-99