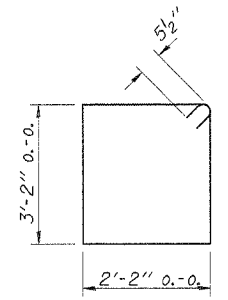
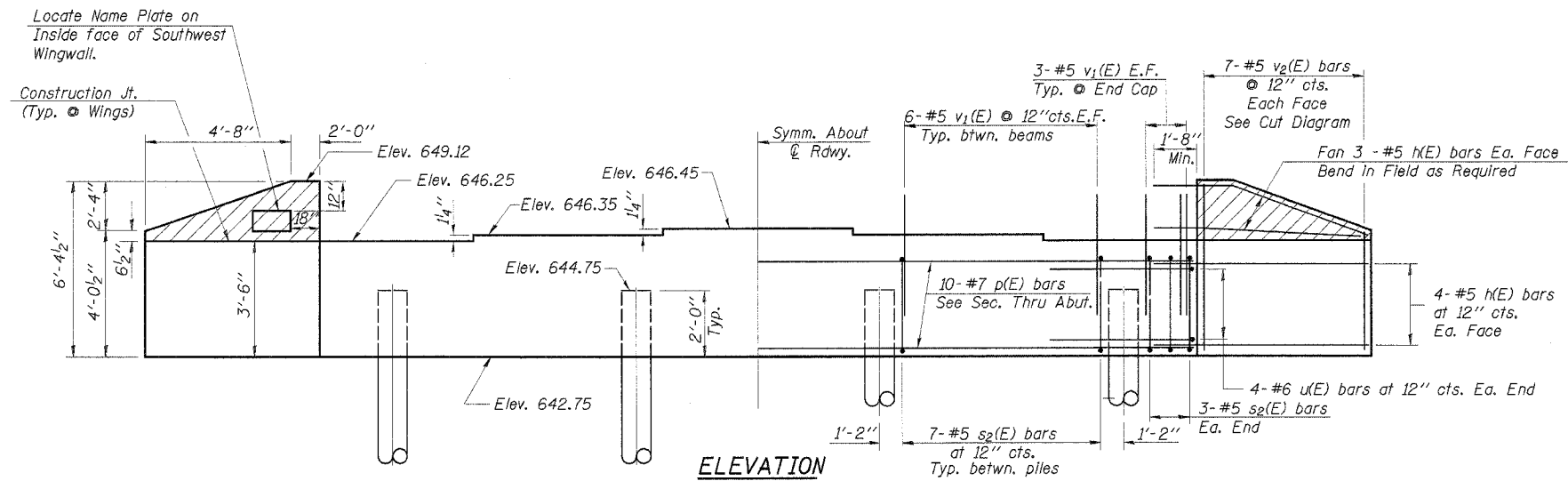
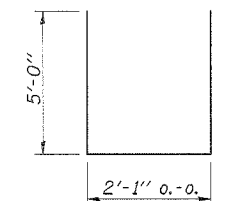


Notes: All edges shall have standard $\frac{3}{4}$ " chamfers except as noted.
 Hatched area of wingwalls to be poured with deck after beams
 are in place. Quantity of Concrete included with Concrete Superstructure.
 Space reinforcement in cap to miss dowel bars.

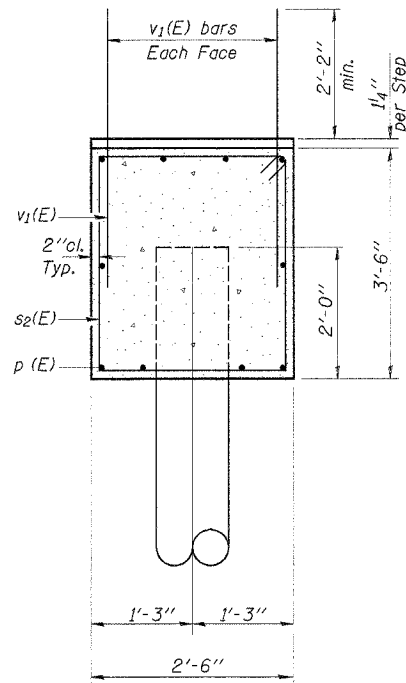
ROUTE NO.	SECTION	COUNTY	TOTAL SHEETS	SHEET NO.
C.H. 5	03-00027	TAZEWELL	24	15
FAS 467	-11-BR			
		ILLINOIS	PROJ. BRS-467(004)	
CONTRACT NO. 89361			Sheet 11 of 15	



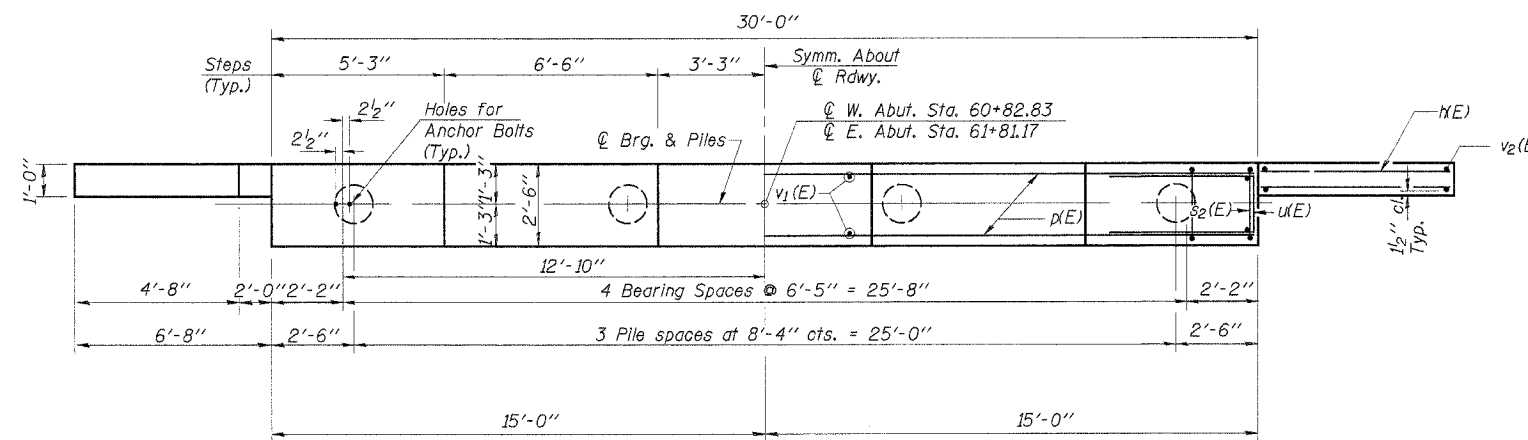
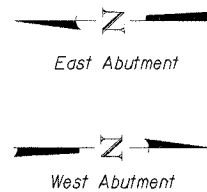
BAR s₂(E)



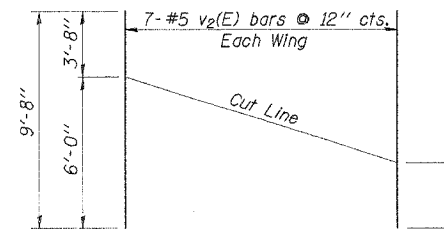
BAR u(E)



SEC. THRU ABUT.



PLAN



FIELD CUTTING DIAGRAM
 Order v₂(E) bars full length. Cut to fit and use remainder in opposite face of wing.

BILL OF MATERIAL - 2 ABUTS.

BAR	NO.	SIZE	LENGTH	SHAPE
h(E)	56	#5	8'-3"	—
p(E)	20	#7	29'-8"	—
s ₂ (E)	54	#5	11'-7"	□
u(E)	16	#6	12'-1"	—
v ₁ (E)	120	#5	4'-9"	—
v ₂ (E)	28	#5	9'-8"	—
Concrete Structures			Cu. Yd.	22.8
Reinforcement Bars, Epoxy Coated			Pound	3510
Name Plates			Each	1
Test Pile Metal Shells			Each	1
Metal Shell Piles 14"			Foot	410

Reinforcement bars designated (E) shall be epoxy coated.

PILE DATA

Type: Metal Shell 14"
 Capacity: 45 Tons/Pile.
 Est. Length: 46 Ft./Pile W. Abut.
 68 Ft./Pile E. Abut.
 No. Required: 8*

*One Metal Shell Test Pile shall be driven in a permanent location at the West Abutment.

DESIGNED	S.F.M.
CHECKED	P.S.L. & F.J.S.
DRAWN	K.T.R., J.P.S. & S.A.P.
CHECKED	S.F.M.

ABUTMENTS

SECTION 03-00027-11-BR
 COUNTY HIGHWAY 5
 TAZEWELL COUNTY
 STA. 61+32

4440 ASH GROVE
 SPRINGFIELD, IL 62711
 (217) 793-8600
 oasinc@famvid.com

OZYURT AND STONE, INC.
 CONSULTING ENGINEERS

JOB NO.: 0313
 FILE: WABUT.DGN
 DATE: 12/30/04