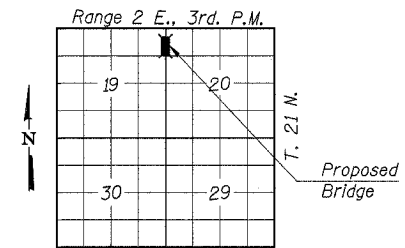


ROUTE NO.	SECTION	COUNTY	TOTAL SHEETS	SHEET NO.
T.R. 82	01-11135-00-BR	DEWITT	17	4
ROAD DIST.	ILLINOIS		WAPELLA	
CONTRACT NO. 91302				



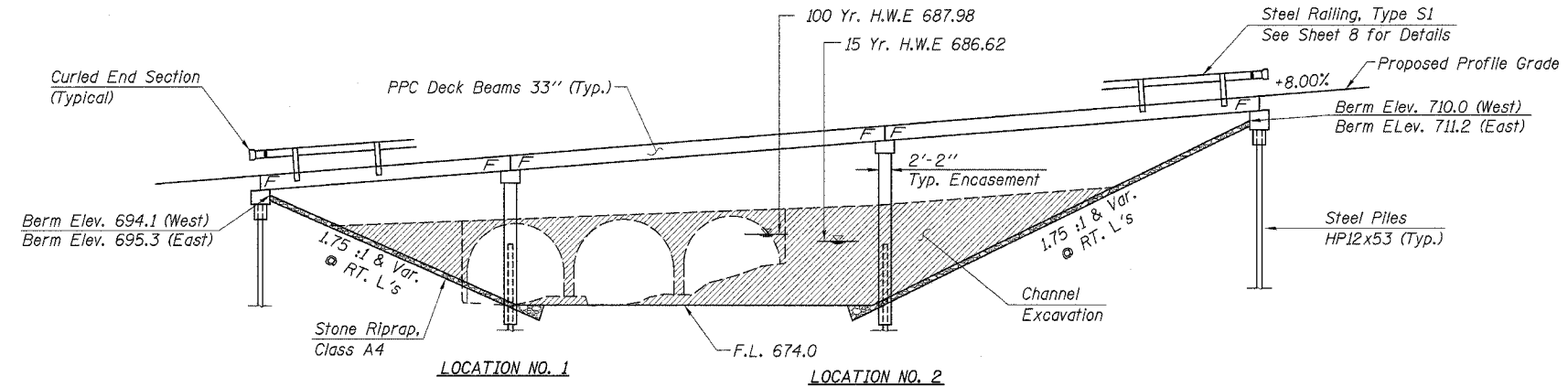
LOCATION PLAN

GENERAL NOTES

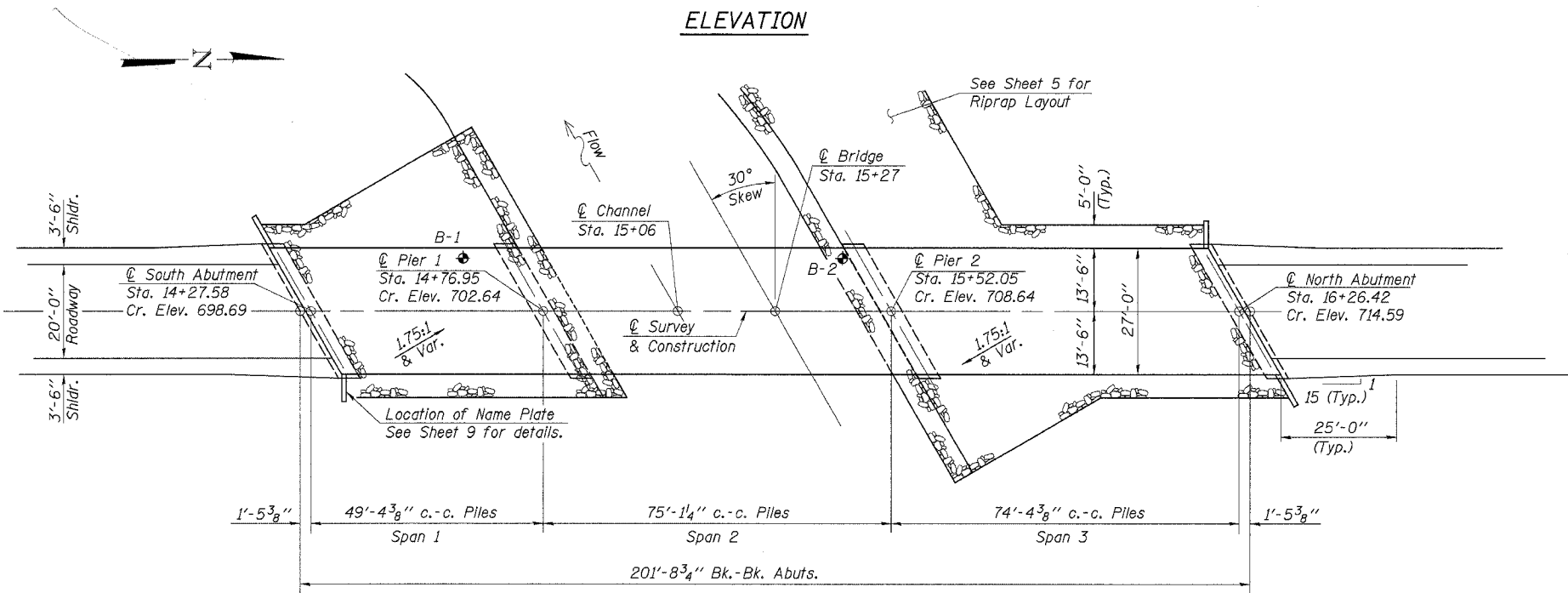
See Proposal for Boring data.

Reinforcement bars shall conform to the requirements of AASHTO M-31, M-42 or M-53, Grade 60.

The Contractor shall drive one steel test pile in a permanent location at the South abutment and at Pier #2 as directed by the Engineer, before ordering the remainder of piles.



ELEVATION



PLAN

Note: Office of Water Resources has Issued Permit No. DS2003178 for construction of this project.

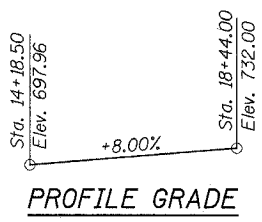
WATERWAY INFORMATION

DESIGNED	SFM
CHECKED	FJS
DRAWN	SAP & KTR
CHECKED	SFM

Drainage Area	41.21 Sq. Mi.
Existing Opening (15 Yr.)	592 Sq. Ft.
Required Opening (15 Yr.)	1085 Sq. Ft.
Proposed Opening (15 Yr.)	1085 Sq. Ft.
Design Discharge (15 Yr.)	3734 C.F.S.
Created Head (15 Yr.)	0.26 Ft.
100 Year Discharge	6120 C.F.S.
100 Yr. Created Head	0.21 Ft.

DESIGN STRESSES

$f'_c = 5,000$ p.s.i. (Prestressed Beams)
 $f'_{bl} = 4,000$ p.s.i. (Prestressed Beams)
 $f_c = 1,400$ p.s.i. (Concrete)
 $f_s = 270,000$ p.s.i. (Prestressed Strands)
 $f_{sl} = 189,000$ p.s.i. (Prestressed Strands)
 $f_s = 24,000$ p.s.i. (Reinf. Bars -- Field Units)
 $f_y = 60,000$ p.s.i. (Reinf. Bars -- Field Units)
 $n = 9$ (Concrete)
 LOADING HS20-44
 Design Specifications: 2002 AASHTO & Interims
 50#/Sq. Ft. included in dead load for future wearing surface.



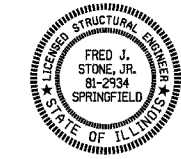
PROFILE GRADE

TOTAL BILL OF MATERIAL

ITEM	UNIT	SUPER	SUB	TOTAL
Precast Prestressed Concrete Deck Beams (33" Depth)	Sq. Ft.	5,400		5,400
Concrete Structures	Cu. Yd.		60.2	60.2
Reinforcement Bars	Pound		14,550	14,550
Steel Railing, Type S1	Foot	401		401
Name Plates	Each		1	1
Steel Piles HP12x53	Foot		1,032	1,032
Test Pile Steel HP12x53	Each		2	2
Stone Riprap, Class A4 (Special)	Ton		1,555	1,555
Concrete Encasement	Cu. Yd.		151.0	151.0
Underwater Str. Excav. Prof.-Location No. 1	Each		1	1
Underwater Str. Excav. Prof.-Location No. 2	Each		1	1

GENERAL PLAN & ELEVATION

SECTION 01-11135-00-BR
 WAPELLA ROAD DISTRICT
 DEWITT COUNTY
 STATION 15+27



"I certify that to the best of my knowledge, information and belief, this bridge design is structurally adequate for the design loading shown on the plans. The design is an economical one for the style of structure and complies with requirements of the current 'AASHTO Standard Specifications for Highway Bridges'."

Fred J. Stone, Jr. (5-7-09)
 ILLINOIS STRUCTURAL NO. 2934 (Expires 11/30/04)

4440 ASH GROVE SPRINGFIELD, IL 62707 (217) 793-8600 oasinc@amvid.com	OZYURT AND STONE, INC. CONSULTING ENGINEERS	JOB NO.: 0209 FILE: GPE.DGN DATE: 05-03-04
---	---	--