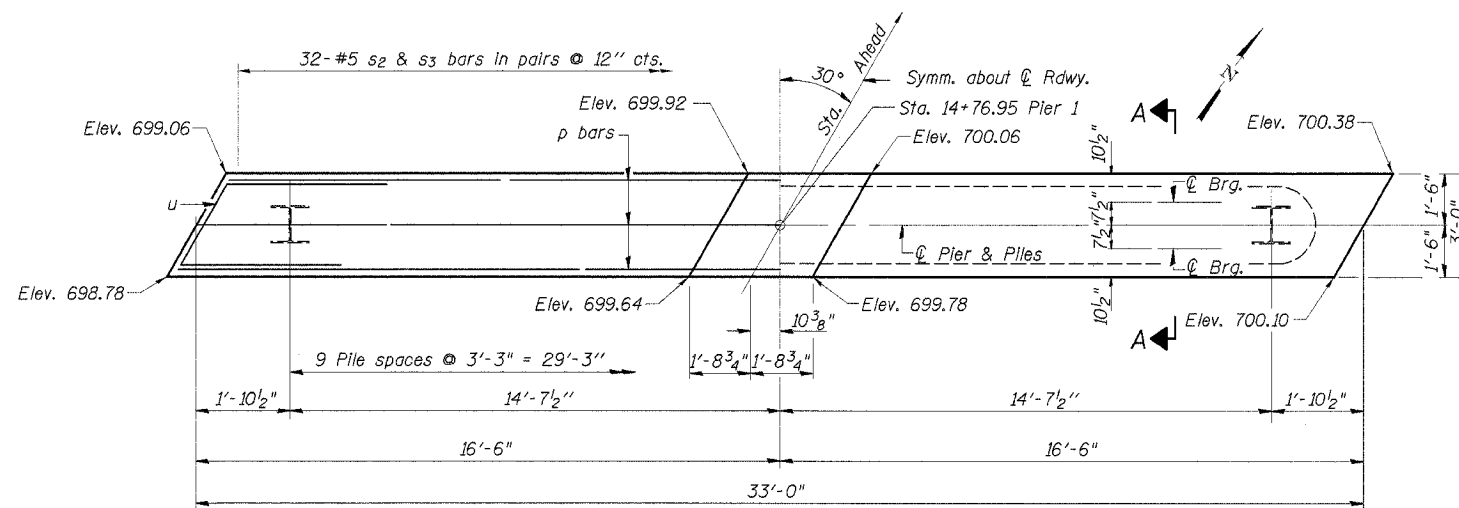
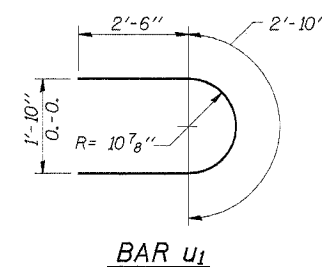


ROUTE NO.	SECTION	COUNTY	TOTAL SHEETS	SHEET NO.
T.R. 82	01-1135-00-BR	DEWITT	17	11
ROAD DIST.	ILLINOIS		WAPELLA	
CONTRACT NO. 91302				

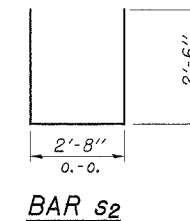


PLAN

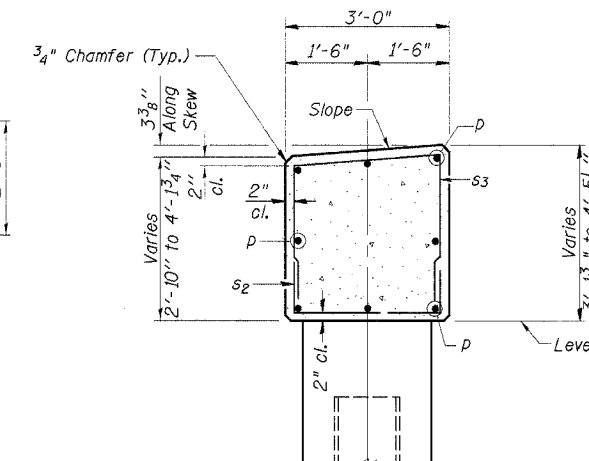
Note: All edges shall have standard 3/4" chamfer



BAR u1

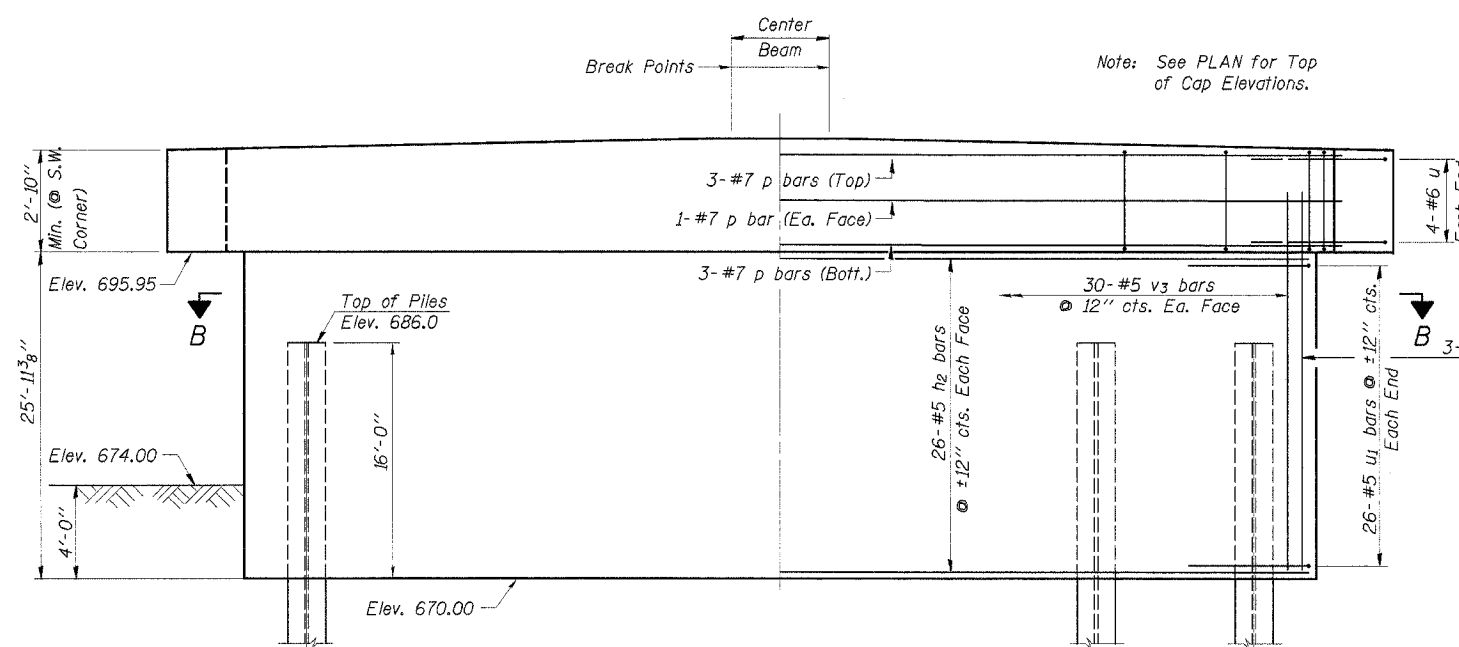


BAR s2

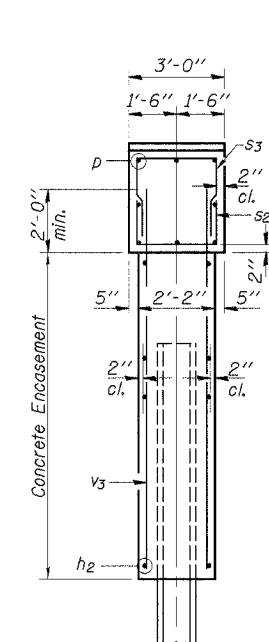


SECTION A-A

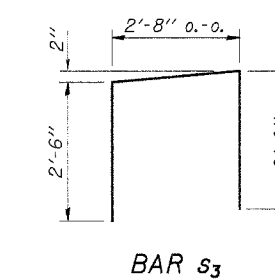
Center Beam
Break Points
Note: See PLAN for Top of Cap Elevations.



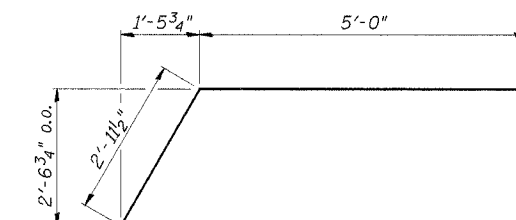
ELEVATION
(Looking North)



END VIEW



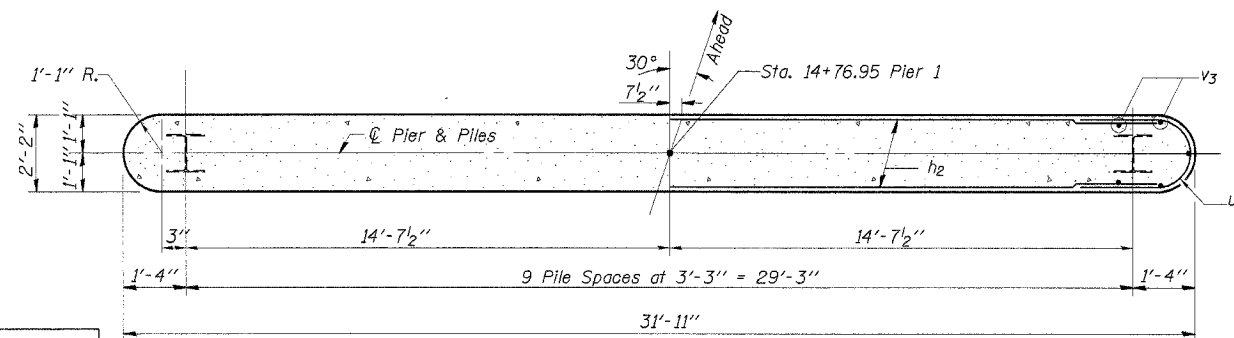
BAR s3



BAR u

BILL OF MATERIAL

BAR	NO.	SIZE	LENGTH	SHAPE
h2	52	#5	29'-9"	—
p	8	#7	32'-8"	—
s2	32	#5	7'-8"	U
s3	32	#5	7'-8"	U
u	8	#6	13'-0"	U
u1	52	#5	7'-10"	U
v3	66	#5	27'-9"	—
Concrete Structures			Cu. Yd.	13.9
Reinforcement Bars			Pound	5160
Steel Piles HP12x53			Foot	340
Underwater Structure Excavation and Protection - Location No. 1			Each	1
Concrete Encasement			Cu. Yd.	65.5



SECTION B-B

PILE DATA

Type..... Steel Piles HP12x53
Design Capacity..... 50 Tons/Pile
Drive to..... 70 Tons/Pile
Est. Length..... 34 Feet/Pile
No. Req'd..... 10

DESIGNED	SFM
CHECKED	FJS
DRAWN	SAP & KTR
CHECKED	SFM

PIER 1

SECTION 01-1135-00-BR
WAPELLA ROAD DISTRICT
DEWITT COUNTY
STATION 15+27

4440 ASH GROVE SPRINGFIELD, IL 62707 (217) 793-8600 osainc@tamvid.com	OZYURT AND STONE, INC. CONSULTING ENGINEERS	JOB NO.: 0209 FILE: PIER1.DGN DATE: 05-10-04
--	---	--