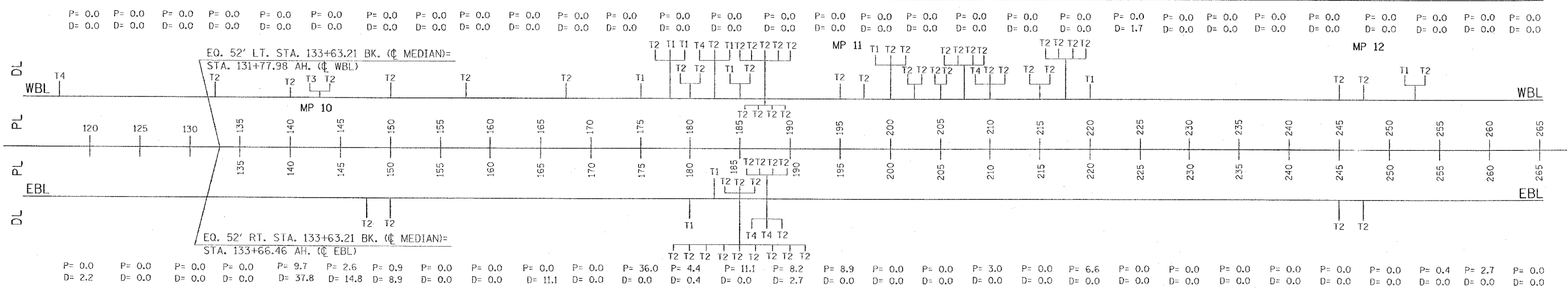
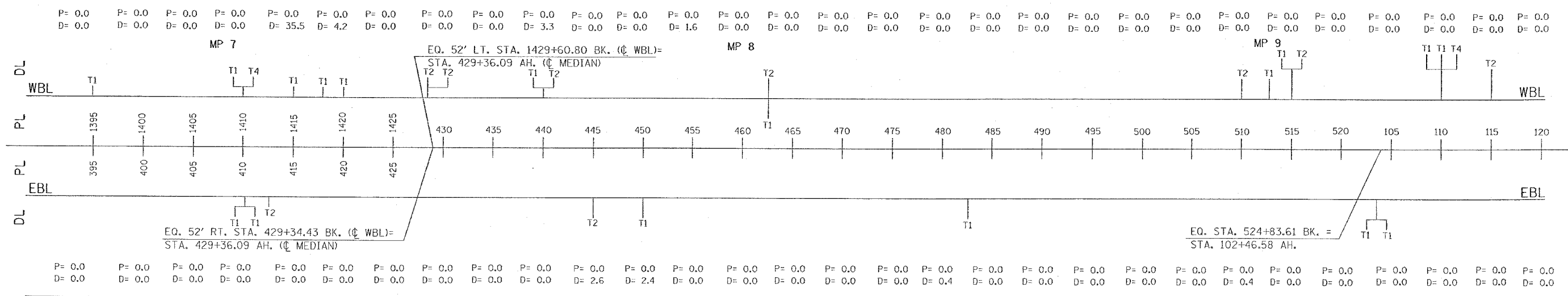


F.A.S. NO.	SECTION	COUNTY	TOTAL SHEETS	SHEET NO.
24	*	**	189	107
STAL. TO STAL.				
FED. ROAD DIST. NO. BILLINGS FED. AID PROJECT				
* X1-2,44(2,3,4)RS,BSMARTFY04-4				
** WILLIAMSON/JOHNSON				
CONTRACT NO. 98758				



**LEGEND:**

WBL = WESTBOUND LANES  
 EBL = EASTBOUND LANES  
 P = PARTIAL DEPTH PATCHING QUANTITY, PASSING LANE, UNITS OF SQ. YD.  
 D = PARTIAL DEPTH PATCHING QUANTITY, DRIVING LANE, UNITS OF SQ. YD.

T1  
 T2  
 T3  
 T4  
 FULL DEPTH  
 PATCHING TYPE

**PATCHING SURVEY DATE:**

THIS INFORMATION IS BASED ON THE BEST INFORMATION AVAILABLE AT THE TIME OF PLAN PREPARATION. THE ENGINEER WILL DETERMINE ACTUAL PATCH LIMIT, LOCATIONS AND FINAL PATCHING QUANTITIES.