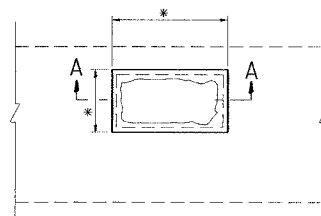


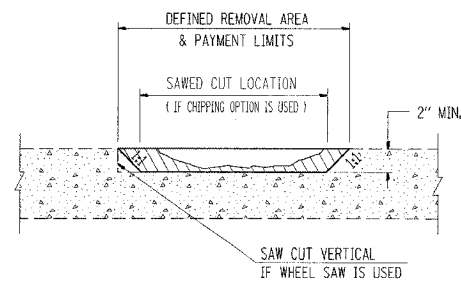
F. A. & RTE.	SECTION	COUNTY	TOTAL SHEETS	SHEET NO.
24	*	**	189	176
STA.		TO STA.		
FED. ROAD DIST. NO.	ILLINOIS	FED. AID PROJECT		
* X1-2,44(2,3,4)RS,BSMARTFY04-4				
** WILLIAMSON/JOHNSON				
CONTRACT NO. 98758				

DETAILS OF BITUMINOUS PATCHING-PARTIAL DEPTH



PLAN

* LIMITS OF PARTIAL DEPTH PATCHING AS DIRECTED BY THE ENGINEER.



SECTION A-A

NOTES:

THE CONTRACTOR HAS THE OPTION OF SAWING THE PAVEMENT AND CHIPPING THE EDGES OR BY MILLING THE DEFINED AREA OF THE PATCH.

THE PAVEMENT SHALL BE SAWED A MINIMUM OF 2" DEPTH IF THE SAWING OPTION IS USED.

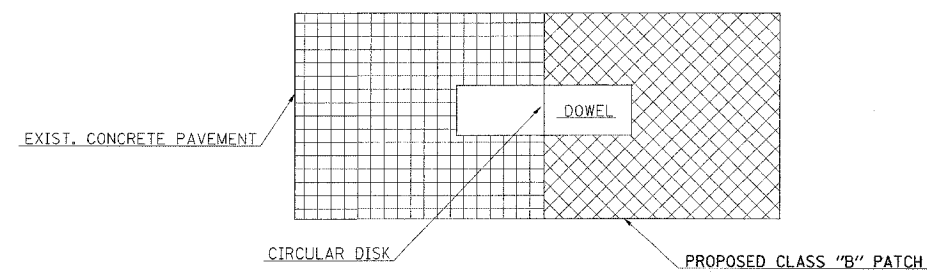
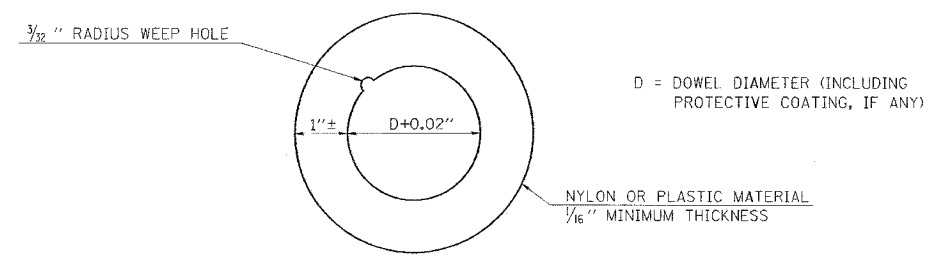
THE DIAMETER OF THE MILLING MACHINE SHALL BE OF SUFFICIENT SIZE TO MAINTAIN THE 1:1 SIDE SLOPE.

THE PATCHING MATERIAL SHALL BE BITUMINOUS BINDER COURSE, TYPE 1 OR PORTLAND CEMENT CONCRETE AT THE CONTRACTOR'S OPTION.

THIS ITEM WILL BE PAID FOR AT THE CONTRACT UNIT PRICE PER SQUARE YARD FOR PAVEMENT PATCHING (PARTIAL DEPTH).

REVISIONS	
DRAWN	10-4-91
REVISED	10-20-93
REVISED	3-26-97
STD. 9M-91	

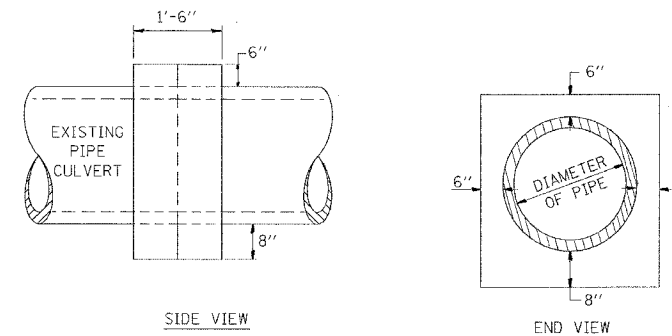
DETAIL THIN CIRCULAR DISK



DETAIL "A"

NOTE: COST OF DISK SHALL BE INCLUDED IN CLASS "B" PATCHING.

DETAILS OF CONCRETE COLLAR PIPE TO PIPE



TABULATION

DIAMETER OF PIPE	CL. SI CONC. CU. YDS. EST.
12"	0.24
15"	0.29
18"	0.32
24"	0.44
30"	0.56
36"	0.66
42"	0.80
48"	0.93
54"	1.07
60"	1.22
72"	1.55

THE CONCRETE COLLAR SHALL BE PAID FOR AT THE CONTRACT UNIT PRICE PER CUBIC YARD FOR CONCRETE COLLAR, AS SHOWN ON THE PLANS, WHICH PRICE SHALL INCLUDE THE REMOVAL OF SUCH PORTIONS THE EXISTING HEADWALLS AS MAY BE REQUIRED.

CLASS SI CONCRETE SHALL BE USED THROUGHOUT.

REVISIONS	
DRAWN	7-13-90
REVISED	8-22-94
STD. 9-79	

DETAILS: BITUMINOUS PATCHING (PARTIAL DEPTH); THIN CIRCULAR DISK; CONCRETE COLLAR (PIPE TO PIPE)