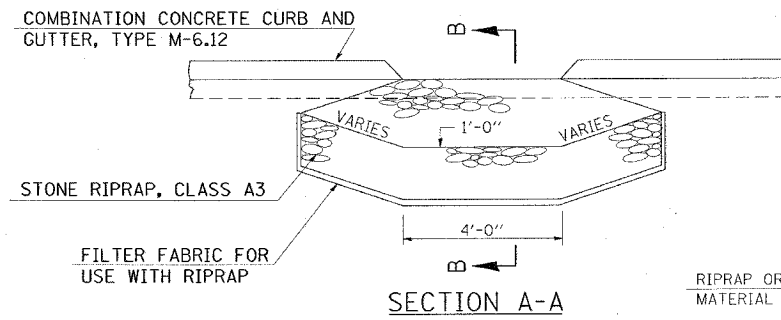
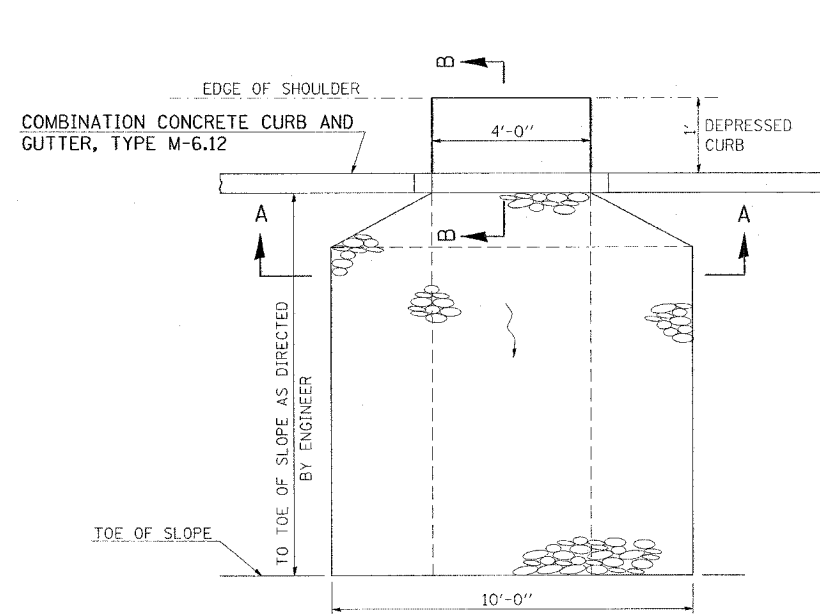


F. A. L. MILE	SECTION	COUNTY	TOTAL SHEETS	SHEET NO.
24	*	**	189	177
STA.	TO STA.			
FED. ROAD DIST. NO.	ELNOR	FED. AID PROJECT		

* X1-2,44(2,3,4)RS,BSMARTFY04-4
 ** WILLIAMSON/JOHNSON
 CONTRACT NO. 98758

CURB OUTLET DETAIL



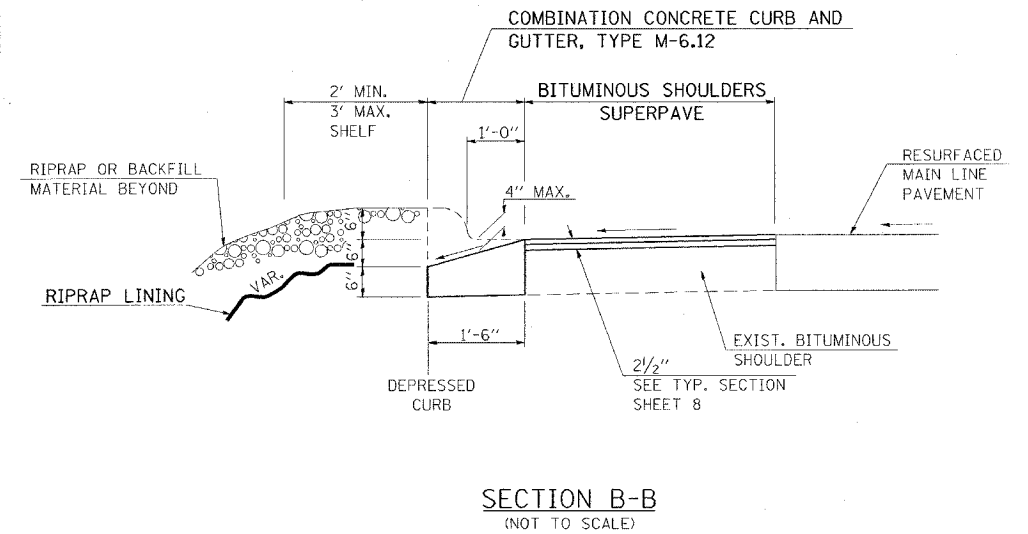
THE EXCESS EXCAVATION MAY BE WASTED IN NEARBY EROSION CHANNELS AS DIRECTED BY THE ENGINEER.

LOCATIONS
 SEE RIPRAP SCHEDULE SHEETS 62-66

FINAL LOCATION AS DIRECTED BY THE ENGINEER.

NOTE:

- EARTH EXCAVATION IS INCLUDED IN THE COST OF STONE RIP RAP, CLASS A3.

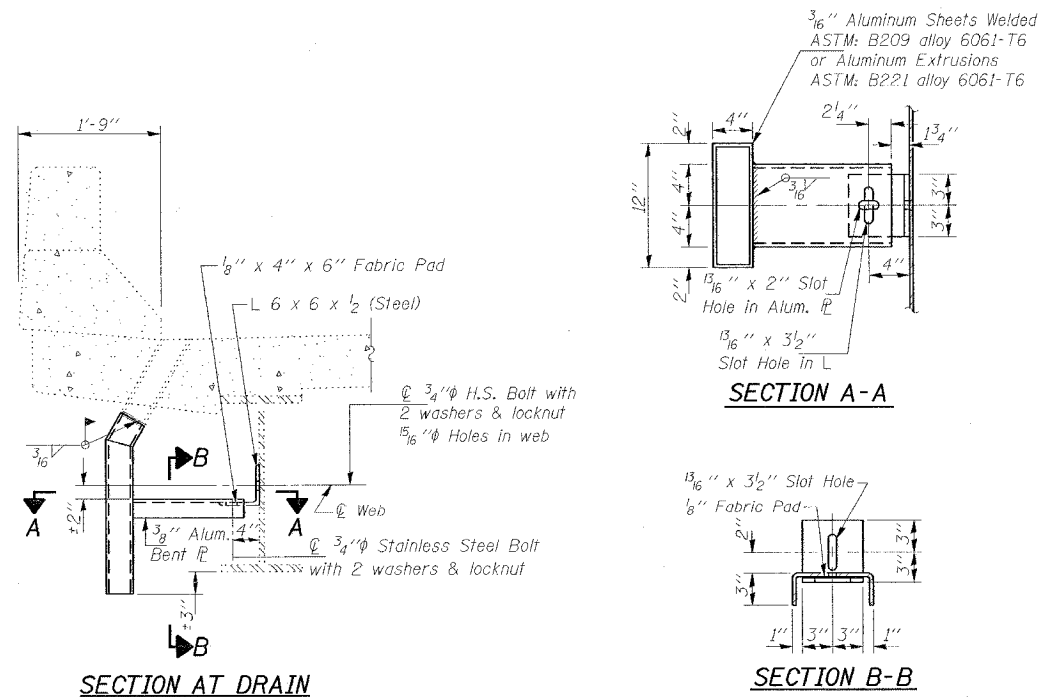


SECTION B-B
 (NOT TO SCALE)

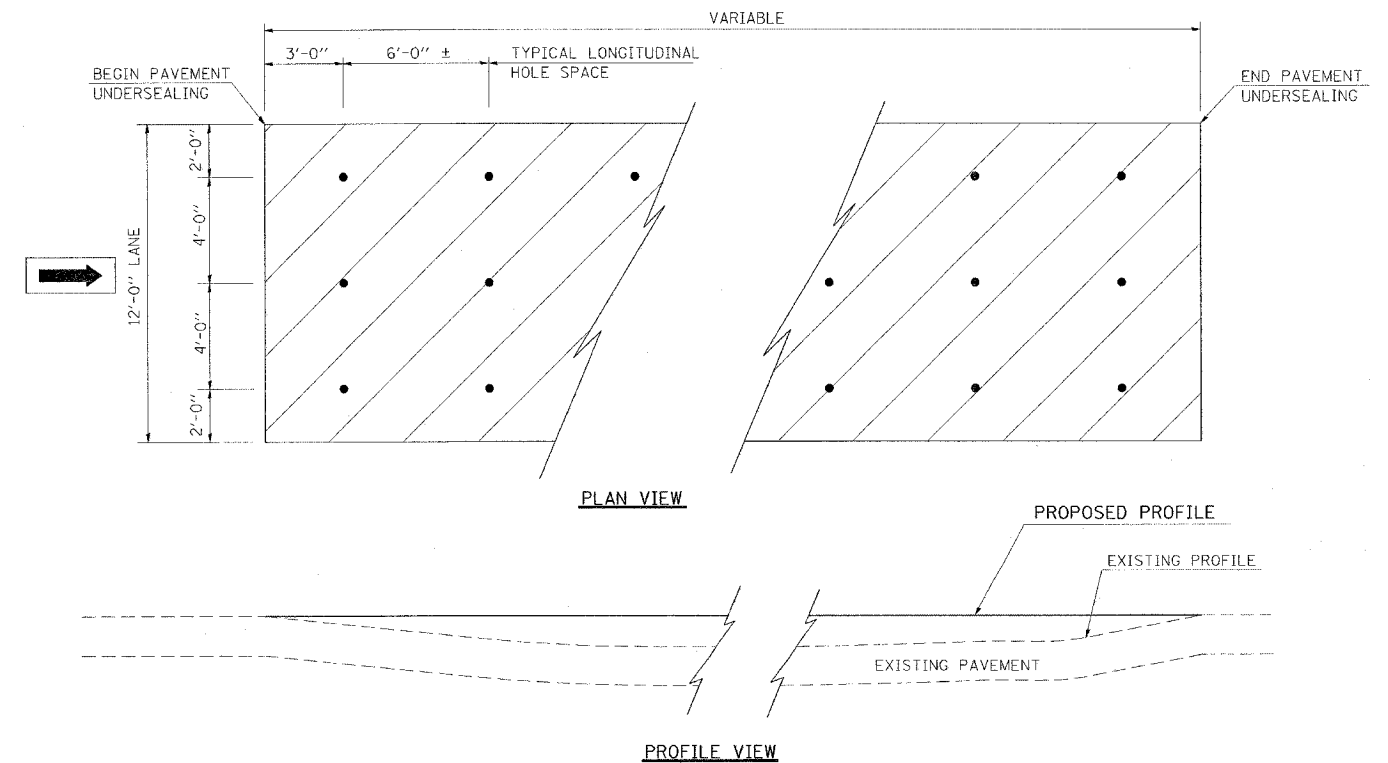
MODIFIED
 STD. 9-95

DRAIN EXTENSION DETAIL

(-- Locations)



TYPICAL HOLE PATTERN FOR PAVEMENT UNDERSEALING



DETAILS: DRAIN EXTENSION; CURB OUTLET DETAIL; TYPICAL HOLE PATTERN FOR PAVEMENT UNDERSEALING