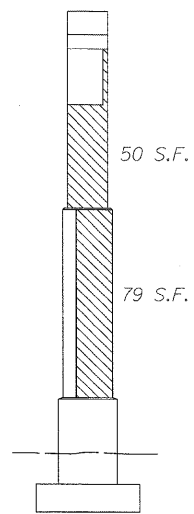
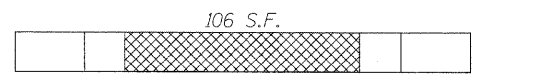


WEST ELEVATION
(Looking East)



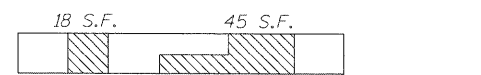
VIEW B



VIEW A



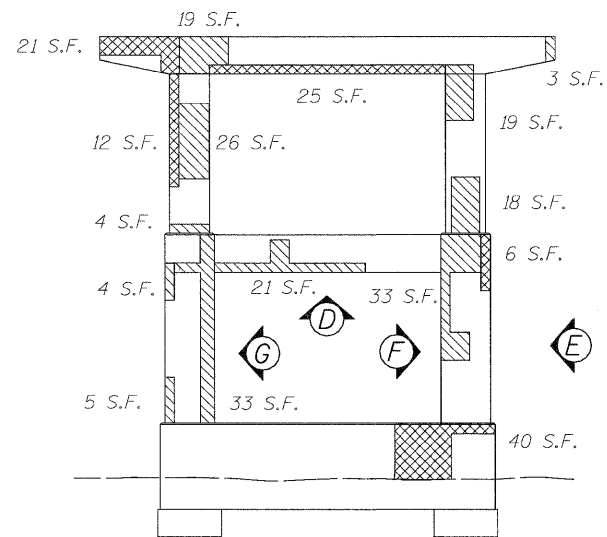
VIEW C



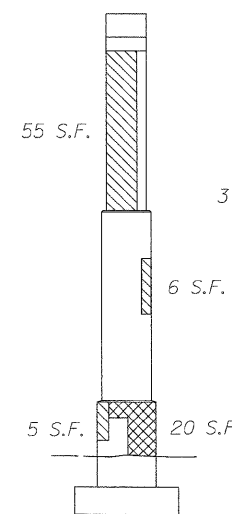
VIEW D

PIER 5

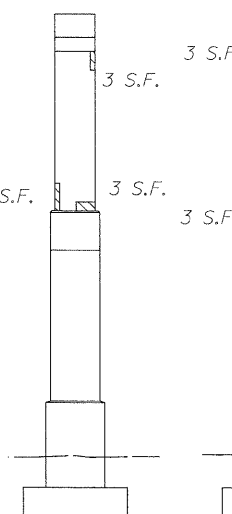
Structural Repair of Concrete (Depth < 5") = 590 Sq. Ft.
 Structural Repair of Concrete (Depth > 5") = 247 Sq. Ft.



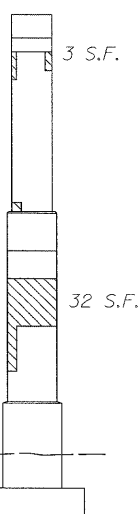
EAST ELEVATION
(Looking West)



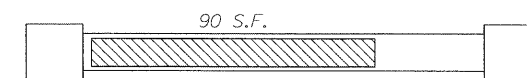
VIEW E



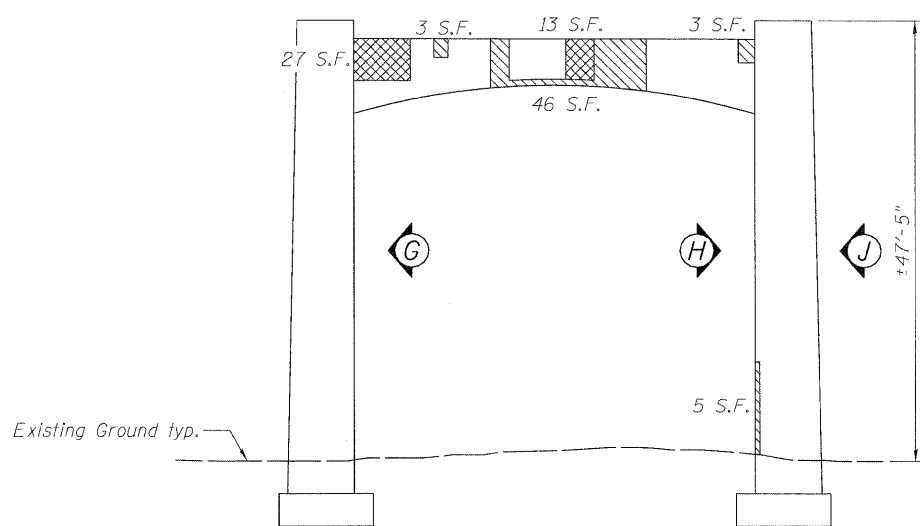
VIEW F



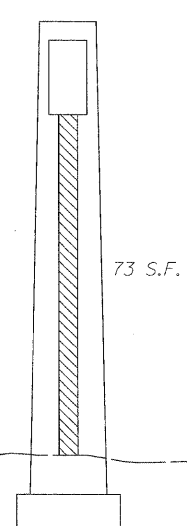
VIEW G



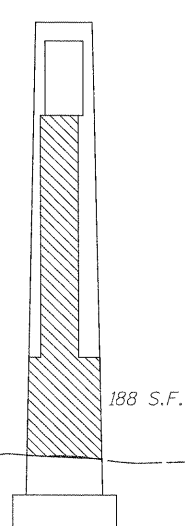
VIEW K



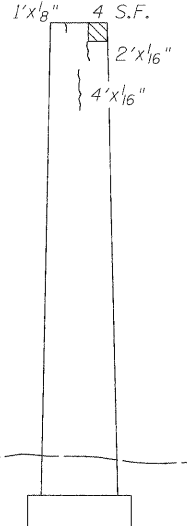
WEST ELEVATION
(Looking East)



VIEW G



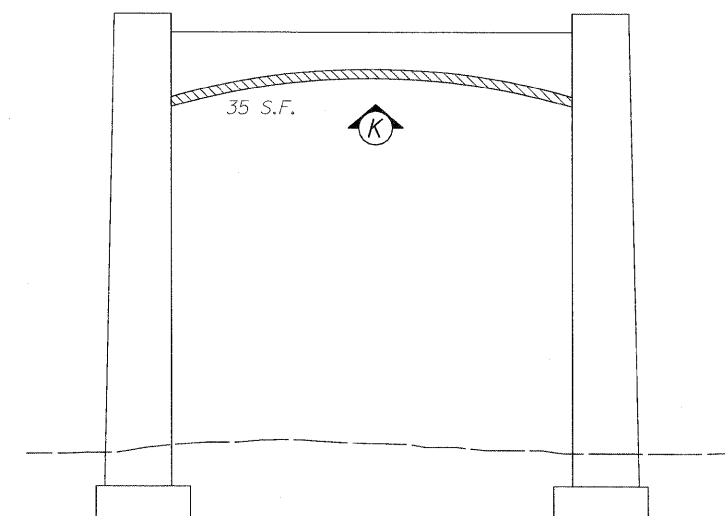
VIEW H



VIEW J

PIER 6

Structural Repair of Concrete (Depth < 5") = 447 Sq. Ft.
 Structural Repair of Concrete (Depth > 5") = 40 Sq. Ft.
 Epoxy Crack Injection



EAST ELEVATION
(Looking West)

| | | |
|-----------------------------------|-------------------|-----------|
| USER NAME = Inouiller | DESIGNED - JC | REVISED - |
| PLOT SCALE = N'S | DRAWN - JC | REVISED - |
| PLOT DATE = 1/20/2011 12:58:17 PM | CHECKED - DF | REVISED - |
| | DATE - 01/21/2011 | REVISED - |



STATE OF ILLINOIS
DEPARTMENT OF TRANSPORTATION

PIER REPAIR DETAILS
EASTBOUND FAI-80 OVER DES PLAINES RIVER
STRUCTURE NO. 099-0056

SHEET NO. S-25 OF S-35 SHEETS

| F.A.I. RTE. | SECTION | COUNTY | TOTAL SHEETS | SHEET NO. |
|---------------------|-------------|--------|---------------------------|-----------|
| 80 | 99(2&3)RS-3 | WILL | 200 | 132 |
| FED. ROAD DIST. NO. | | | ILLINOIS FED. AID PROJECT | |
| | | | CONTRACT NO. 60M64 | |