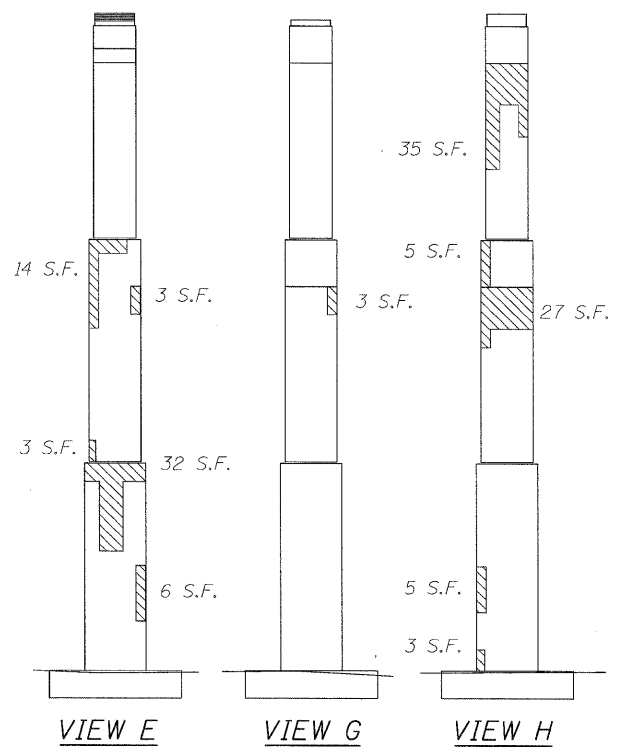
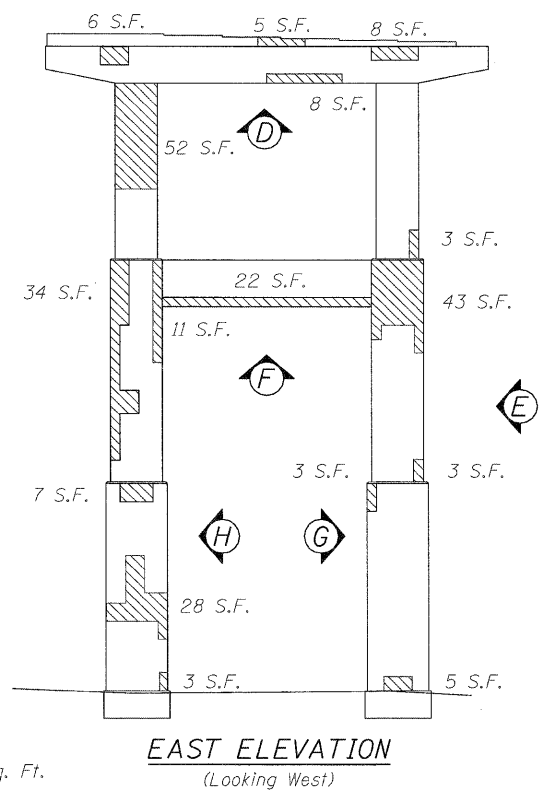


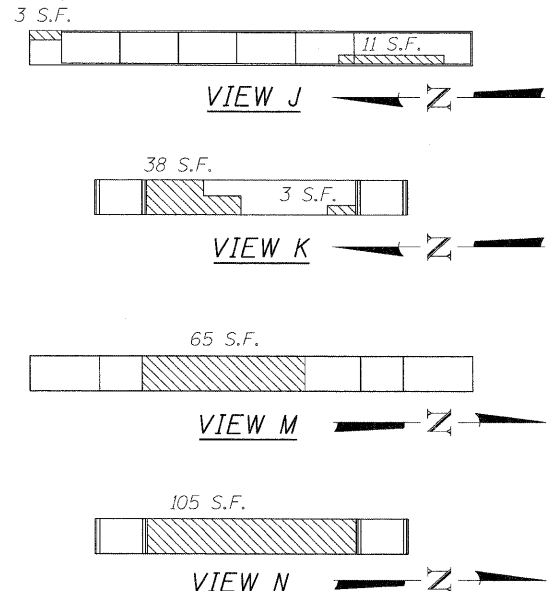
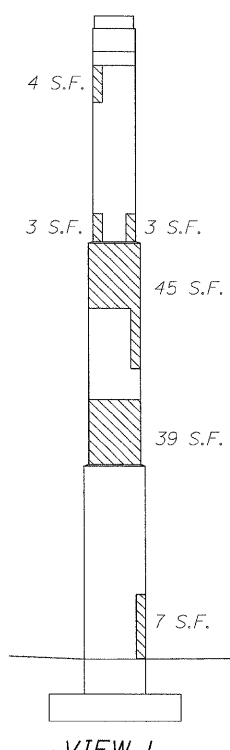
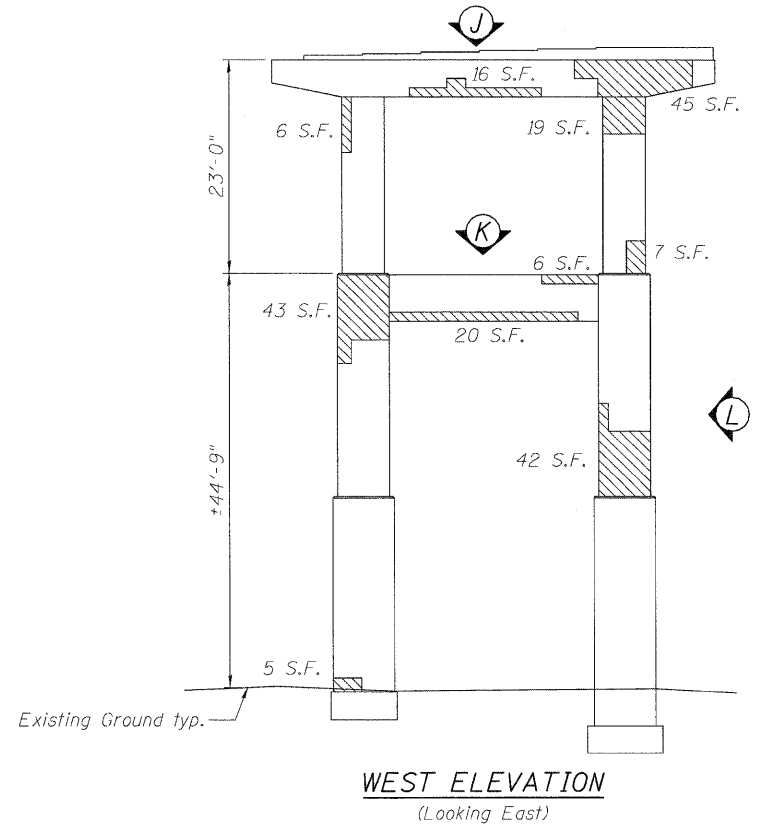
PIER 11

Structural Repair of Concrete (Depth < 5") = 747 Sq. Ft.  
 Structural Repair of Concrete (Depth > 5") = 53 Sq. Ft.



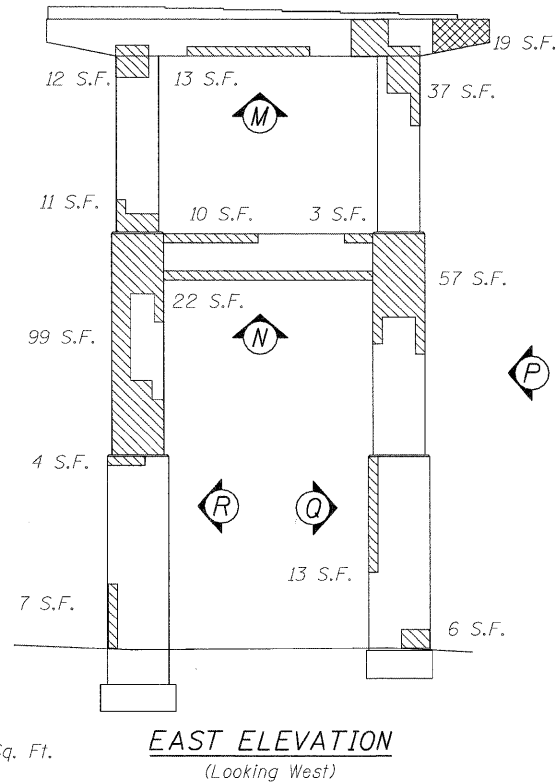
EAST ELEVATION (Looking West)

NOTES: See Sheet S-18 for Temporary Shoring and Cribbing, Special locations.



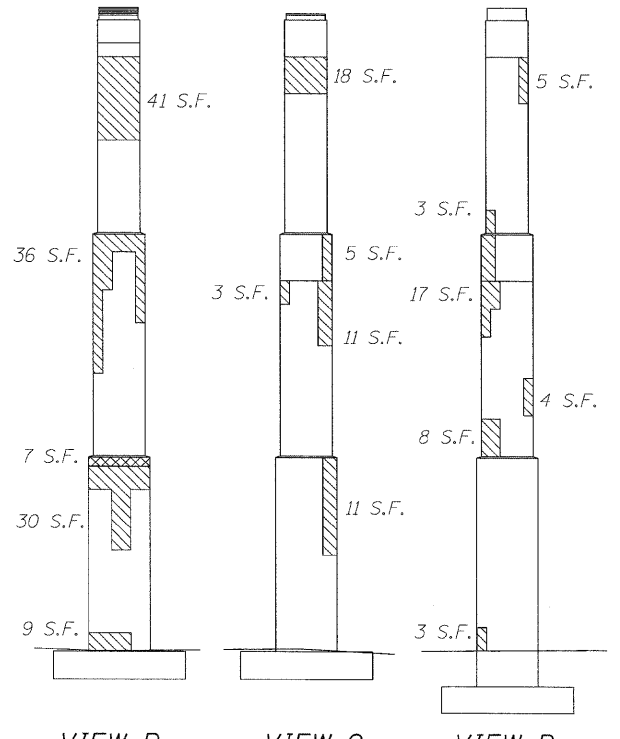
PIER 12

Structural Repair of Concrete (Depth < 5") = 1033 Sq. Ft.  
 Structural Repair of Concrete (Depth > 5") = 26 Sq. Ft.



EAST ELEVATION (Looking West)

NOTES: See Sheet S-18 for Temporary Shoring and Cribbing, Special locations.



VIEW P VIEW Q VIEW R

USER NAME = Imueller	DESIGNED - JC	REVISED -
PLOT SCALE = NTS	DRAWN - JC	REVISED -
PLOT DATE = 1/20/2011 12:58:22 PM	CHECKED - DF	REVISED -
	DATE - 01/21/2011	REVISED -



STATE OF ILLINOIS  
DEPARTMENT OF TRANSPORTATION

PIER REPAIR DETAILS  
EASTBOUND FAI-80 OVER DES PLAINES RIVER  
STRUCTURE NO. 099-0056

SHEET NO. S-28 OF S-35 SHEETS

F.A.I. RTE. 80	SECTION 99(2&3)RS-3	COUNTY WILL	TOTAL SHEETS 200	SHEET NO. 135
FED. ROAD DIST. NO.			ILLINOIS FED. AID PROJECT	

sr\056105.cadd\cadd sheets\0990056-60M64-028-P18-2.dgn