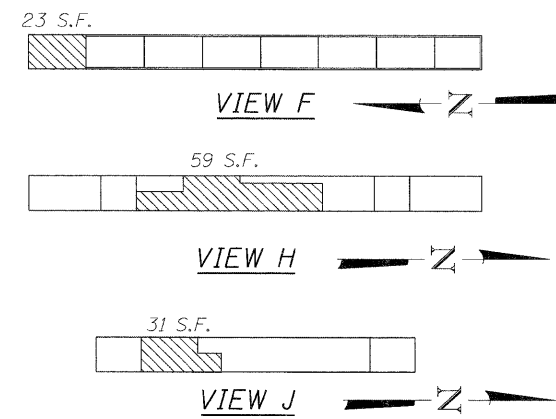
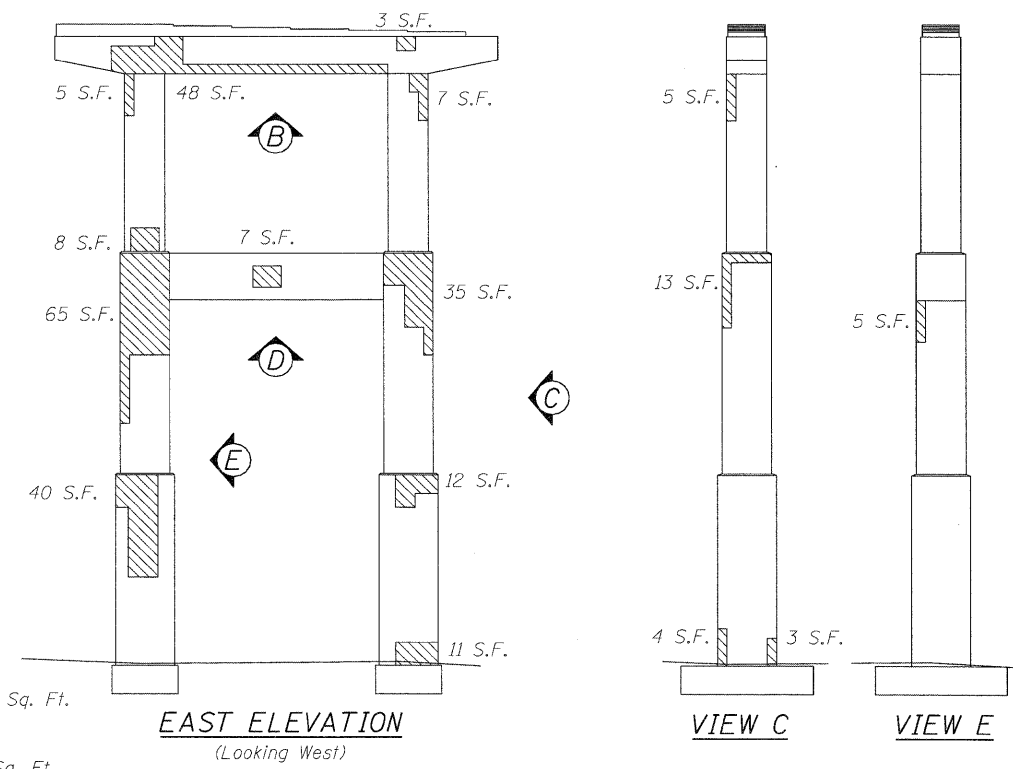


PIER 13

Structural Repair of Concrete (Depth < 5") = 400 Sq. Ft.
 Structural Repair of Concrete (Depth > 5") = 89 Sq. Ft.

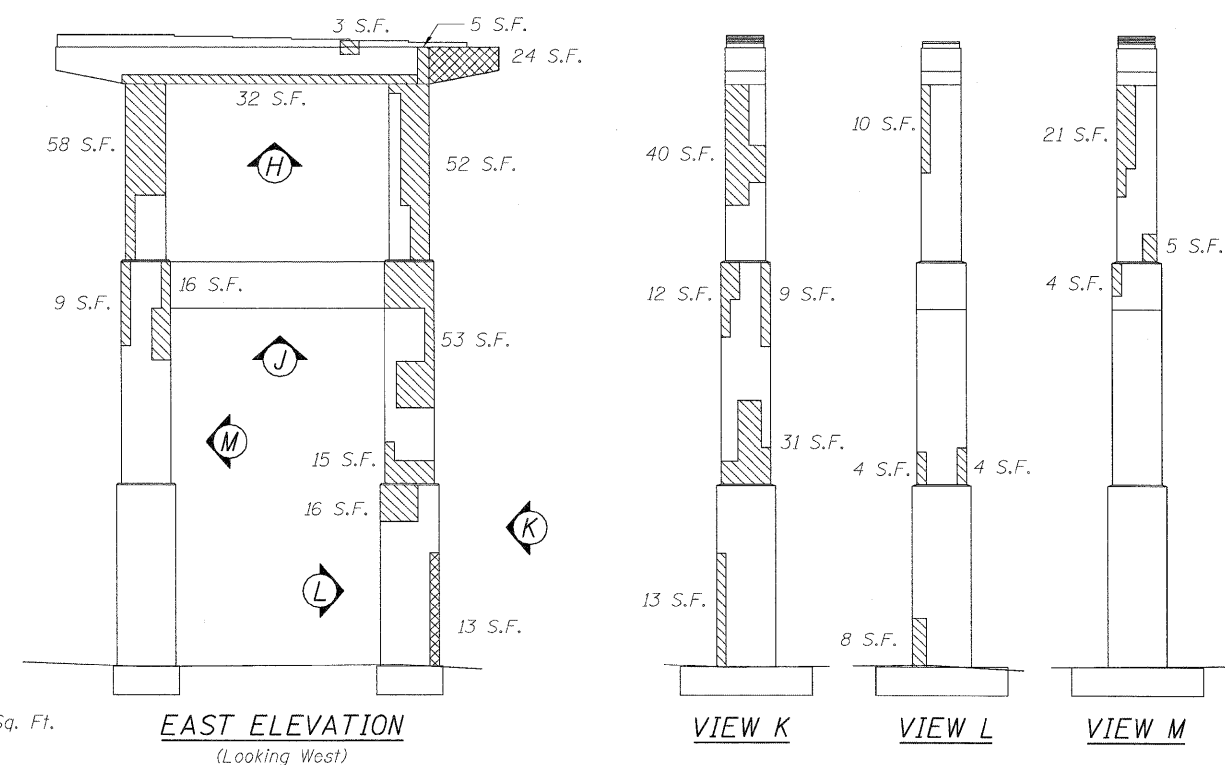
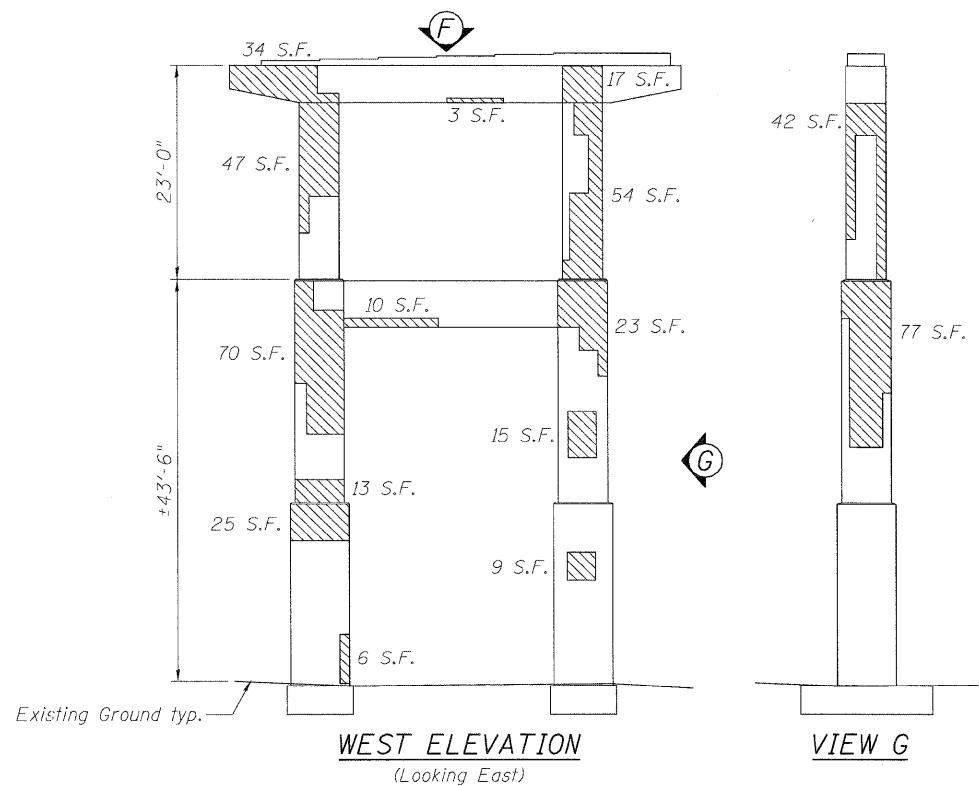
NOTES: See Sheet S-18 for Temporary Shoring and Cribbing, Special locations.



PIER 14

Structural Repair of Concrete (Depth < 5") = 978 Sq. Ft.
 Structural Repair of Concrete (Depth > 5") = 37 Sq. Ft.

NOTES: See Sheet S-18 for Temporary Shoring and Cribbing, Special locations.



USER NAME = Inueller	DESIGNED - JC	REVISED -
PLOT SCALE = N'S	DRAWN - JC	REVISED -
PLOT DATE = 1/20/2011 12:58:24 PM	CHECKED - DF	REVISED -
	DATE - 01/21/2011	REVISED -



STATE OF ILLINOIS
DEPARTMENT OF TRANSPORTATION

PIER REPAIR DETAILS
EASTBOUND FAI-80 OVER DES PLAINES RIVER
STRUCTURE NO. 099-0056

F.A.I. RTE. 80	SECTION 99(2&3)RS-3	COUNTY WILL	TOTAL SHEETS 200	SHEET NO. 136
FED. ROAD DIST. NO. ILLINOIS FED. AID PROJECT			CONTRACT NO. 60M64	

SHEET NO. S-29 OF S-35 SHEETS