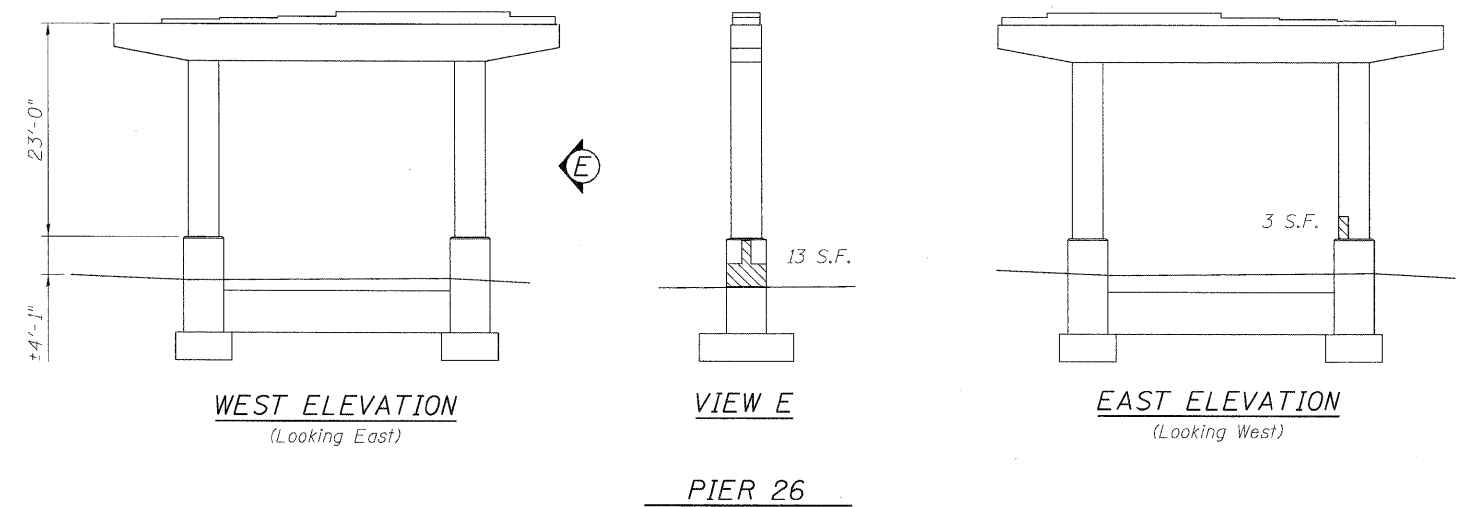


Structural Repair of Concrete (Depth < 5") = 30 Sq. Ft.

Structural Repair of Concrete (Depth > 5") = 0 Sq. Ft.



Structural Repair of Concrete (Depth < 5") = 16 Sq. Ft.

Structural Repair of Concrete (Depth > 5") = 0 Sq. Ft.

DESIGNED - JC	REVISED -
DRAWN - JC	REVISED -
CHECKED - DF	REVISED -
DATE - 01/21/2011	REVISED -



STATE OF ILLINOIS
DEPARTMENT OF TRANSPORTATION

PIER REPAIR DETAILS
EASTBOUND FAI-80 OVER DES PLAINES RIVER
STRUCTURE NO. 099-0056

F.A.I. RTE.	SECTION	COUNTY	TOTAL SHEETS	SHEET NO.
80	99(2&3)RS-3	WILL	200	142
FED. ROAD DIST. NO.			ILLINOIS FED. AID PROJECT	

SHEET NO. S-35 OF S-35 SHEETS

sv\056b\05_cadd\cadd sheets\0990056-60M64-035-PR25-26.dgn