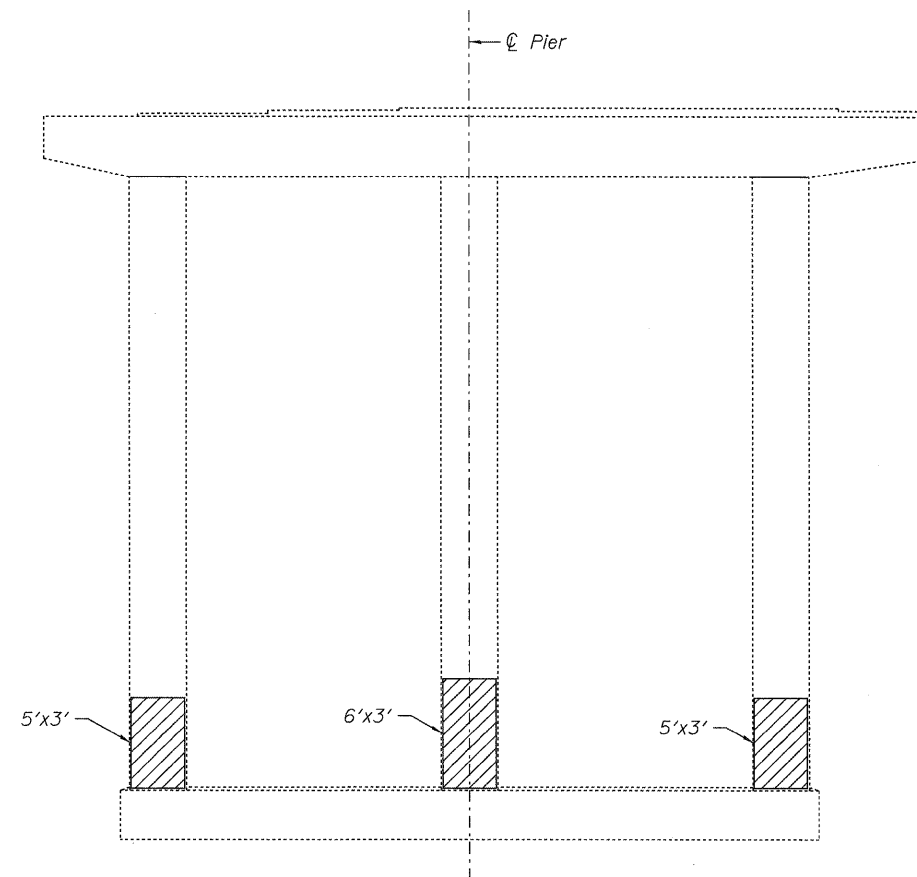


WEST ELEVATION
Looking East

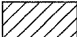


EAST ELEVATION
Looking West

BILL OF MATERIAL

ITEM	UNIT	TOTAL
Structural Repair Of Concrete (Depth Equal To Or Less Than 5 Inches)	Sq.Ft.	52

LEGEND:

 Spalled or unsound concrete

NOTES:

1. Areas of proposed pier repairs are estimated. Actual type, location and dimensions of pier repairs are to be determined by the Engineer during construction.

DESIGNED - PCA	REVISED -
DRAWN - LK	REVISED -
CHECKED - MEA	REVISED -
DATE - 01/21/2011	REVISED -



STATE OF ILLINOIS
DEPARTMENT OF TRANSPORTATION

PIER 11 REPAIRS
EASTBOUND I-80 OVER RAILROAD/GARDNER STREET
STRUCTURE NO. 099-0060

SHEET NO. 5-11 OF 15 SHEETS

F.A.I. RTE.	SECTION	COUNTY	TOTAL SHEETS	SHEET NO.
80	99 (2&3) RS-3	WILL	200	159
FED. ROAD DIST. NO. 1 ILLINOIS FED. AID PROJECT			CONTRACT NO. 60M64	