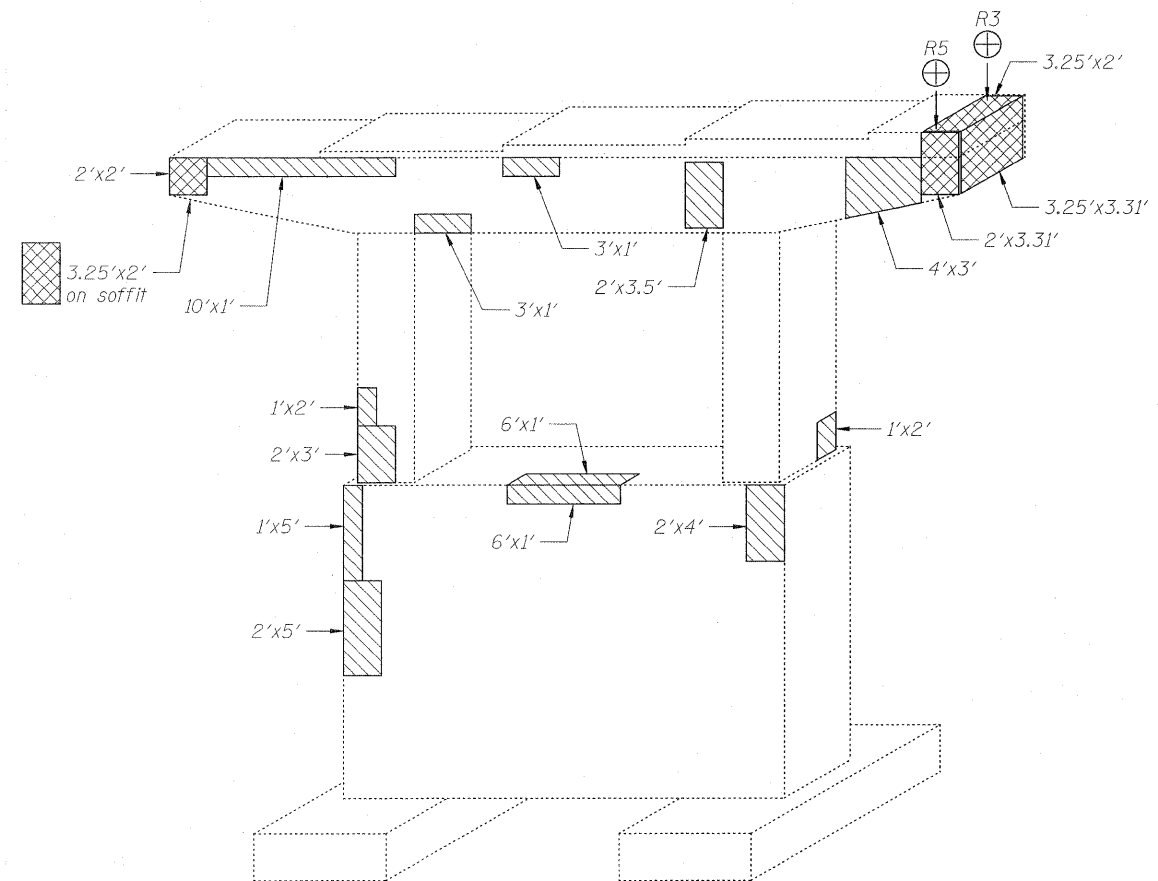


PIER 4
WEST FACE




PIER 4
EAST FACE

LEGEND:

 Structural Repair of Concrete (Depth > 5")

 Structural Repair of Concrete (Depth < 5")

 Temporary Shoring and Cribbing

INTERIOR GIRDER REACTION TABLE

	R2	R3	R4	*R5
R _p (k)	27.2	49.4	44.5	60.1
R _g (k)	41.9	47.3	46.9	63.3
Imp. (k)	12.6	12.2	12.4	16.7
R _{Total} (k)	81.6	109.0	103.8	140.1

*Reaction increased by a factor of 1.35 to account for skew effects.

BILL OF MATERIAL

ITEM	UNIT	TOTAL
Structural Repair of Concrete (Depth <= 5")	Sq. Ft.	205
Structural Repair of Concrete (Depth > 5")	Sq. Ft.	65
Temporary Shoring and Cribbing	Each	4

Note:
See the Special Provision "Temporary Shoring and Cribbing" for design, installation, and removal of the temporary shoring and cribbing support system. Approximate beam reactions are given in Interior Girder Reaction Table at the locations shown.